

WINSLOW WALL SET WITH KRISTALL LEVERS

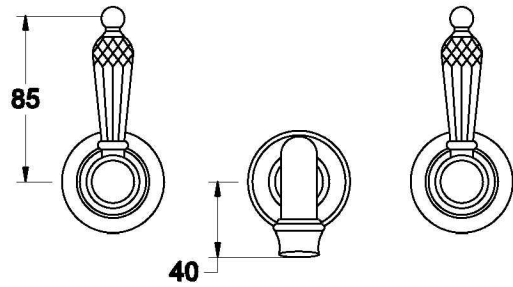
1.8105.00.8.XX

1.8105.50.8.XX - Flow controlled variant

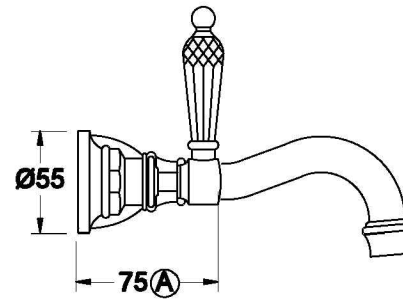


PRODUCT DIMENSIONS:

Front view



Side view:



Top view:

