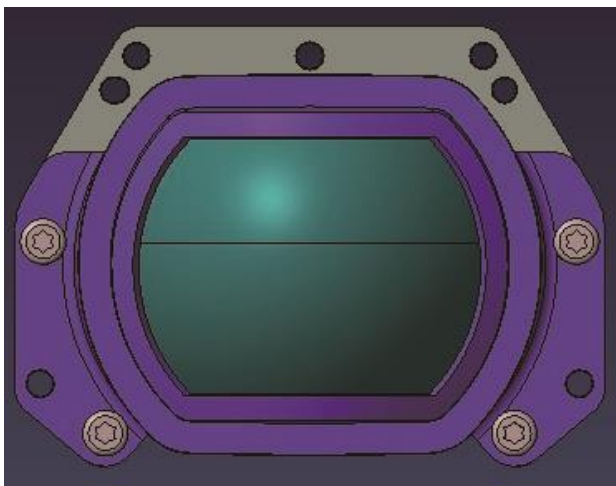


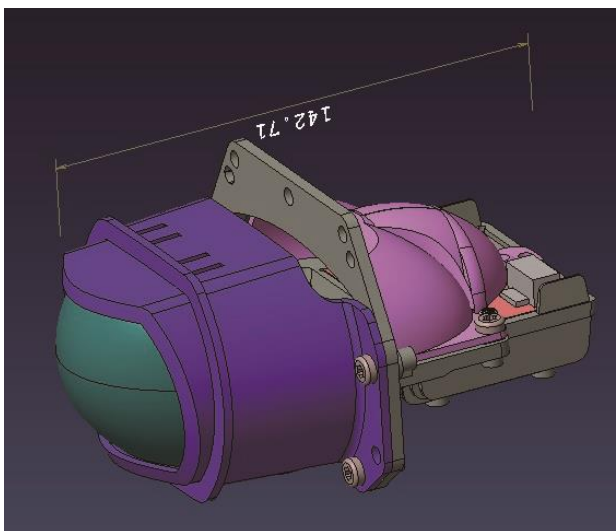
LESEM BI-LED PROJECTOR REPORT



The bi-LED projector used in LESEM headlights uses two 2-core and one 3-core Osram LEDs, which is designed to provide exceptional lighting performance. It features a "spliced light" design that ensures maximum brightness for the high beams, while also delivering optimal lighting performance for the low beams.



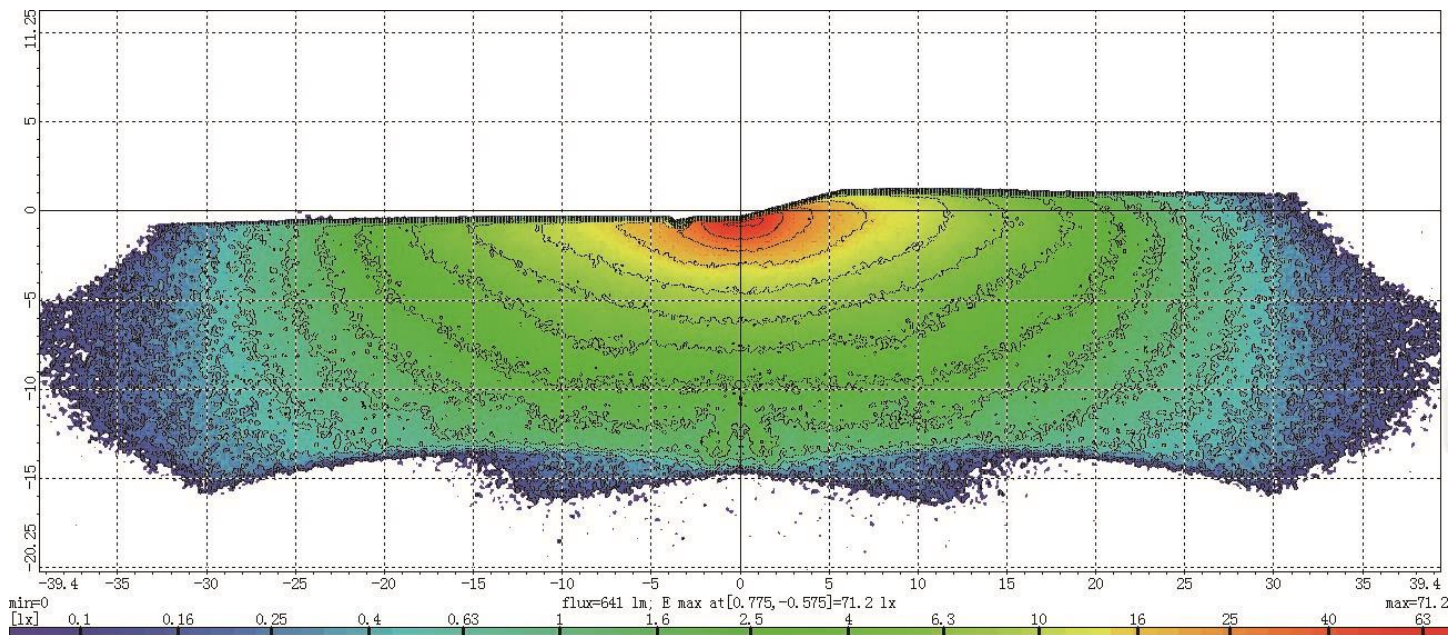
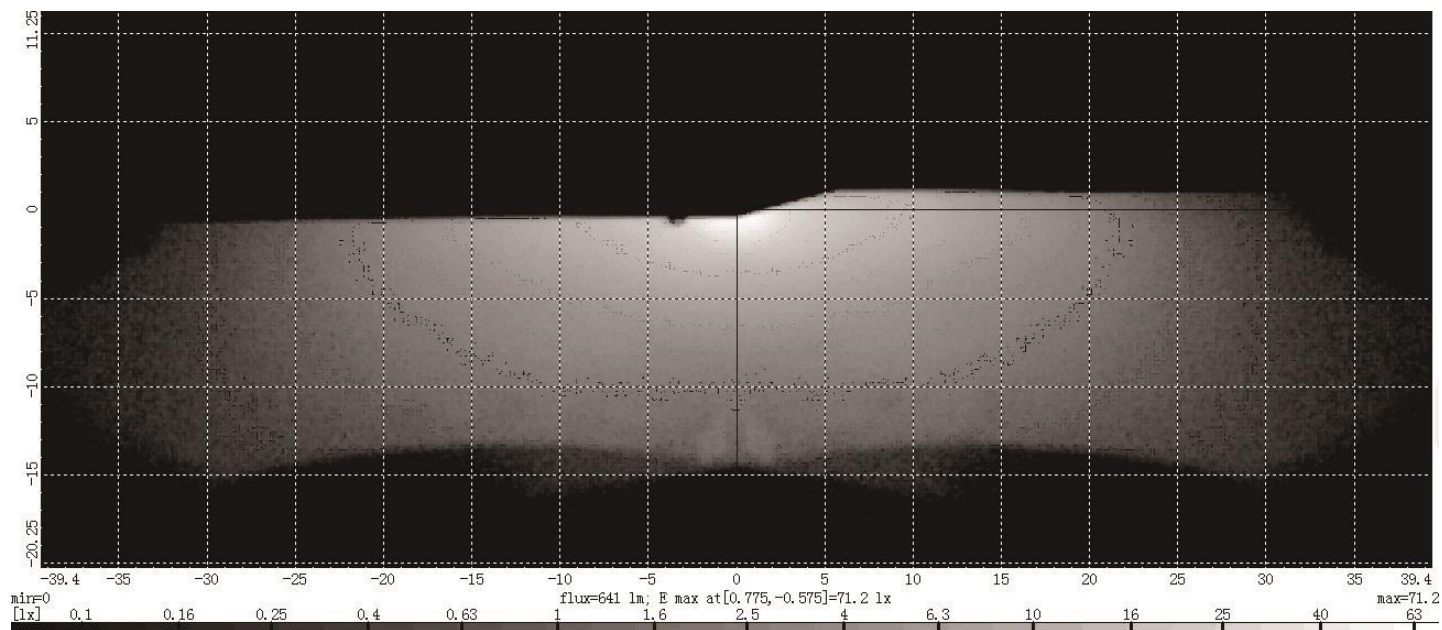
LESEM bi-LED projector can deliver a highly even distribution of light for both high and low beams, with a wide range of vertical and horizontal coverage. It also helps to minimize any dark spots in the lighting coverage, ensuring a consistently high level of visibility on the road. In addition, LESEM bi-LED projector ensures even heat dissipation without the need for a fan.



This type of headlight projector is becoming increasingly popular in modern vehicles due to its improved lighting performance and energy efficiency compared to traditional halogen headlights.

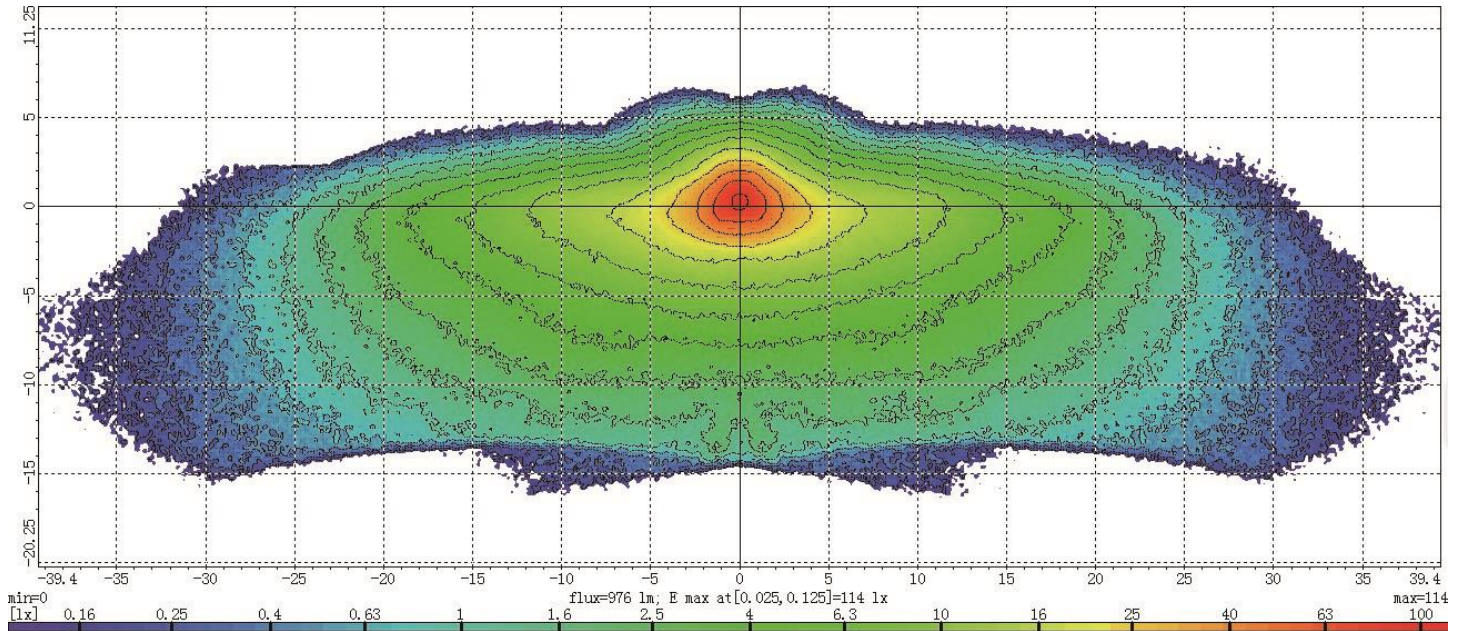
1. Isoilluminance diagrams of a screen from a pair of LESEM

bi-LED projectors. (Projector-to-screen distance: 25 m.) Low Beam:



	[lx/25]	[lx/25]	[lx/25]	[deg]	[deg]
B 50 I	0.01 OK	0.00	0.40	-3.4, 0.6	
75R	65.63 OK	12.00	--	1.1, -0.6	
75L	0.74 OK	--	12.00	-3.4, -0.6	
50L	5.42 OK	--	15.00	-3.4, -0.9	
50R	47.31 OK	12.00	--	1.7, -0.9	
50V	62.41 OK	6.00	--	0.0, -0.9	
25L	11.09 OK	2.00	--	-9.0, -1.7	
25R	11.38 OK	2.00	--	9.0, -1.7	
HV	0.00 OK	--	0.70	0.0, 0.0	
Z III	0.04 OK	--	0.70		-8.8, 2.0
Z IV	10.56 OK	3.00	--	-5.2, 5.2 / -1.7, -0.9	-3.4, -0.9
ZI<2*E50R	36.15 OK	--	94.63	-6.0, 6.0 / -3.7, -1.7	-0.3, -1.7

High Beam:

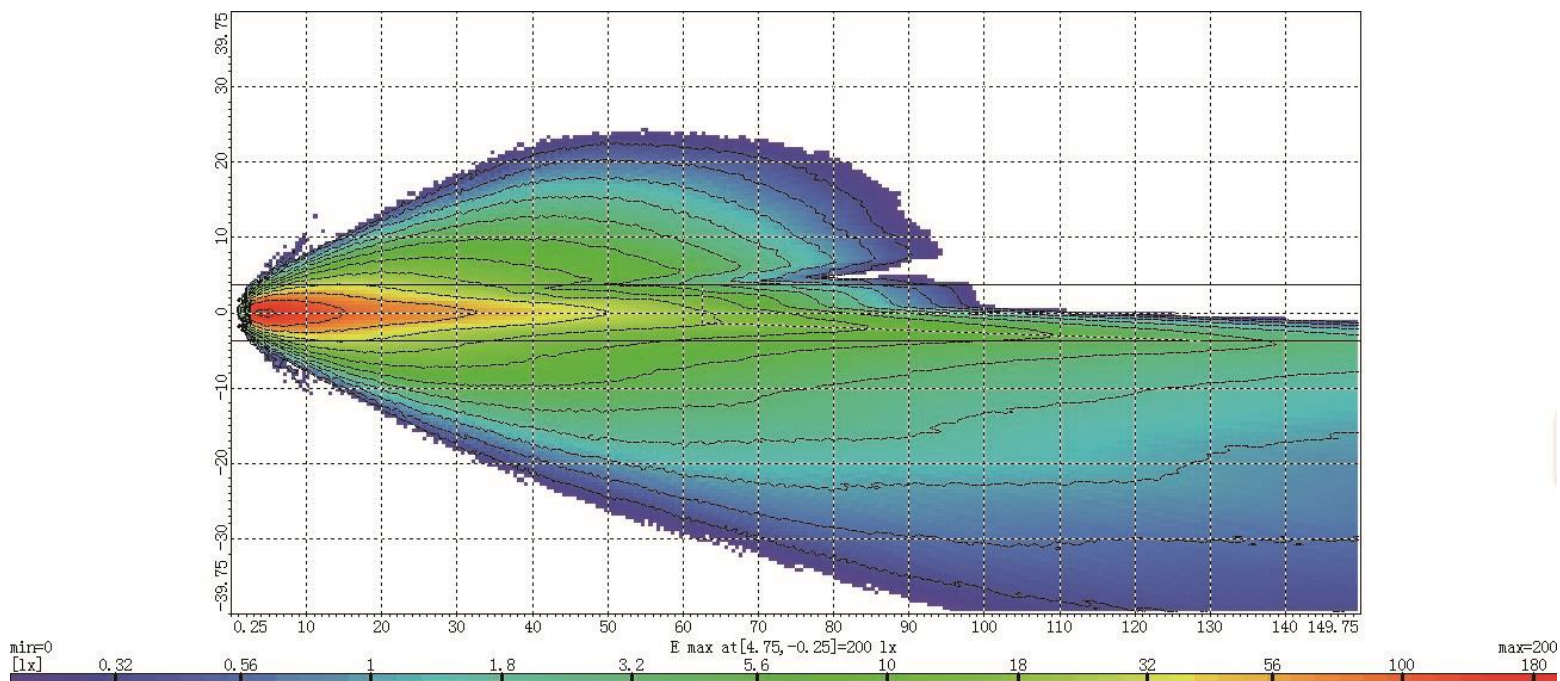


name	value OK [lx/25]	min [lx/25]	max [lx/25]	test pos./area H,H/V,V [deg]	found pos. [deg]
E _{max}	114.0 OK	48.00	240.0		0.0,0.1
HV>80%E _{max}	111.4 OK	91.19	--	0.0,0.0	
H2-H3	36.49 OK	24.00	--	-2.6,2.6 / 0.0,0.0	-2.6,0.0
H1-H4	20.05 OK	6.00	--	-5.1,5.1 / 0.0,0.0	5.1,0.0
H2	36.47 OK	24.00	--	-2.6,0.0	
H3	37.35 OK	24.00	--	2.6,0.0	
H1	20.29 OK	6.00	--	-5.1,0.0	
H4	20.21 OK	6.00	--	5.1,0.0	

2. Isoilluminance diagrams of the road surface from a pair of LESEM bi-LED projectors.

(Projector mounting height: 0.6 m. Projector separation: 1.3 m.)

Low Beam:



High Beam:

