




Instruction Manual

System 01
Baby Carrier

S.01



We're driven to make the best gear out there, freeing up dads and babies to focus on what's essential: each other.

Built tough, System 01 combines an easy setup with the flexibility of modular attachments, rugged materials, and superior comfort for your baby and you.

It's an effective and efficient solution that protects your precious cargo while letting you bring just what you need.

Before You Begin

Your child's safety is what matters most. Read all instructions before assembling and using this product.
KEEP THESE INSTRUCTIONS FOR FUTURE USE.

Register your product:

Visit www.missioncritical.cc/register or fill out and mail in the attached registration card.

If you have questions or if there is anything you do not understand, please email us at info@missioncritical.cc or call Mission Critical® Customer Service at 844-980-4851.

WARNING

Failure to follow all warnings and instructions can result in serious injury or death.

- Child must be able to hold head upright unassisted.
- This carrier cannot be used with a newborn.
- Child must be between 8 lbs (3.6 kg) and 35 lbs (15.9 kg).
- This carrier is intended for wearing your child on your chest only (it is not for back-wearing), and can accommodate child facing both inwards (towards the parent) and outwards.
- When child is positioned in the carrier, child's chin must be above the adjacent carrier fabric, where the Removable Liner is attached. This corresponds to approximately 3 months for the inward-facing position, and approximately 12 months for the outward-facing position.

- Carrier must always be used with the included Removable Liner.
- Check to ensure all buckles, snaps, straps, and adjustments are secure before each use.
- Check for ripped seams, torn straps or fabric, and damaged fasteners before each use. Contact Mission Critical for repair or assistance.
- Do not affix any items to the Front Panel of the carrier (to the webbing loops or otherwise) that a) may be a choking hazard, or b) exceed 8 oz. in weight. Do not attach to the carrier any parts or accessories not supplied or expressly approved by Mission Critical®.
- Never use a soft carrier while engaging in activities such as cooking or cleaning that involve a heat source or exposure to chemicals.
- Never wear a soft carrier while driving or being a passenger in a motor vehicle.
- Do not use the carrier in place of a car seat.
- Never leave child unattended when in carrier.
- Detach all tags and discard any plastic bags.
- Make sure your carrier looks like the illustration on the "Features" page. Confirm that the Chest Panel and Back Panel are securely attached to each other via the Shoulder Straps, and that the Removable Liner is securely attached to the Carrier with Snap Buttons.

⚠️ WARNING

Fall & Suffocation Hazard

FALL HAZARD — Infants can fall through a wide leg opening or out of the carrier.

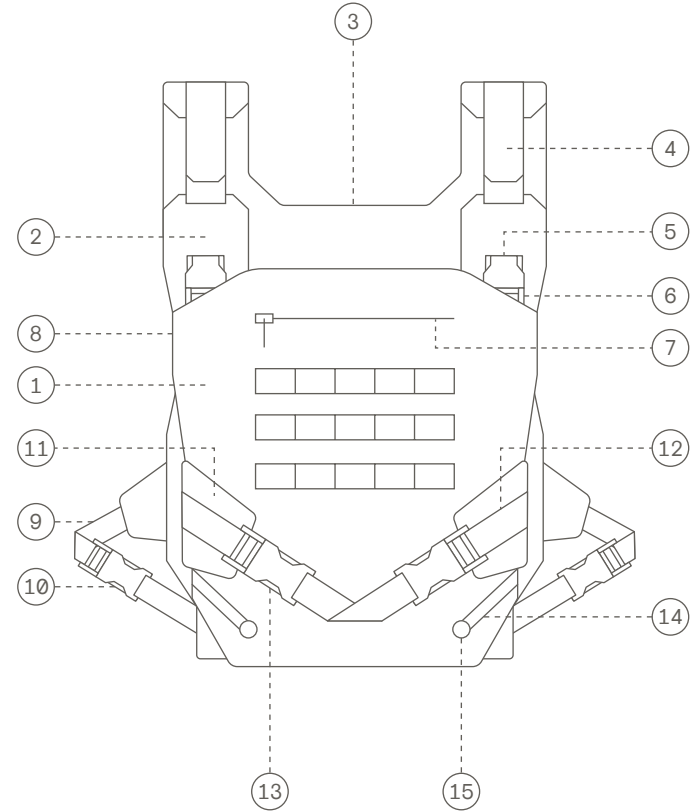
- Adjust leg openings to fit child's legs snugly.
- Ensure proper placement of child in product including leg placement.
- Only use this carrier for children between 8 lbs (3.6 kg) and 35 lbs (15.9 kg).
- Before each use, make sure all buckles are secure.
- Take special care when leaning or walking.
- Bend at knees, never at the waist.
- Never use a soft carrier when balance or mobility is impaired because of exercise, drowsiness, or medical conditions.
- Use caution when walking, especially on stairs, escalators, or any loose, irregular, slippery, or wet surfaces.

SUFFOCATION HAZARD — Infants under 4 months can suffocate in this product if their face is pressed tightly against your body or the carrier.

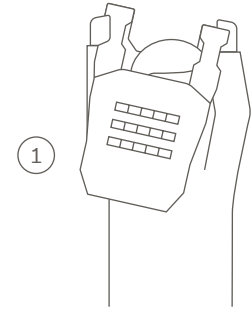
- Do not strap infant too tightly against your body.
- Allow room for head movement.
- Keep infant's face free from obstructions at all times.
- Child must face towards you until he or she can hold head upright on their own.
- Do not use carrier with premature infants or infants with respiratory problems.
- Monitor infants under 4 months closely as they are at greatest risk of suffocation.

Features

- 1 Front Panel
- 2 Chest Panel
- 3 Back Panel
- 4 Shoulder Straps
- 5 Upper Carrier Buckles
- 6 Upper Carrier Straps
- 7 Front Zip Pocket (Sun Shade Inside)
- 8 Removable Liner
- 9 Waist Belt
- 10 Waist Buckles
- 11 Main Wings
- 12 Lower Carrier Straps
- 13 Lower Carrier Buckles
- 14 Leg Straps
- 15 Leg Strap Buttons



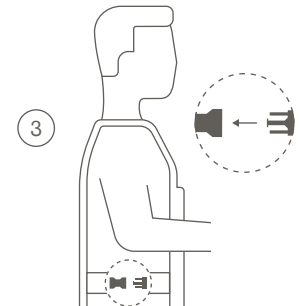
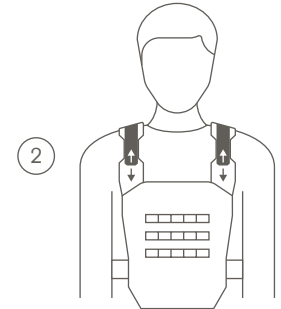
Instructions



► ADJUSTING THE CARRIER TO YOUR BODY

It is critical that the Carrier be adjusted to properly fit your body prior to any use with child.

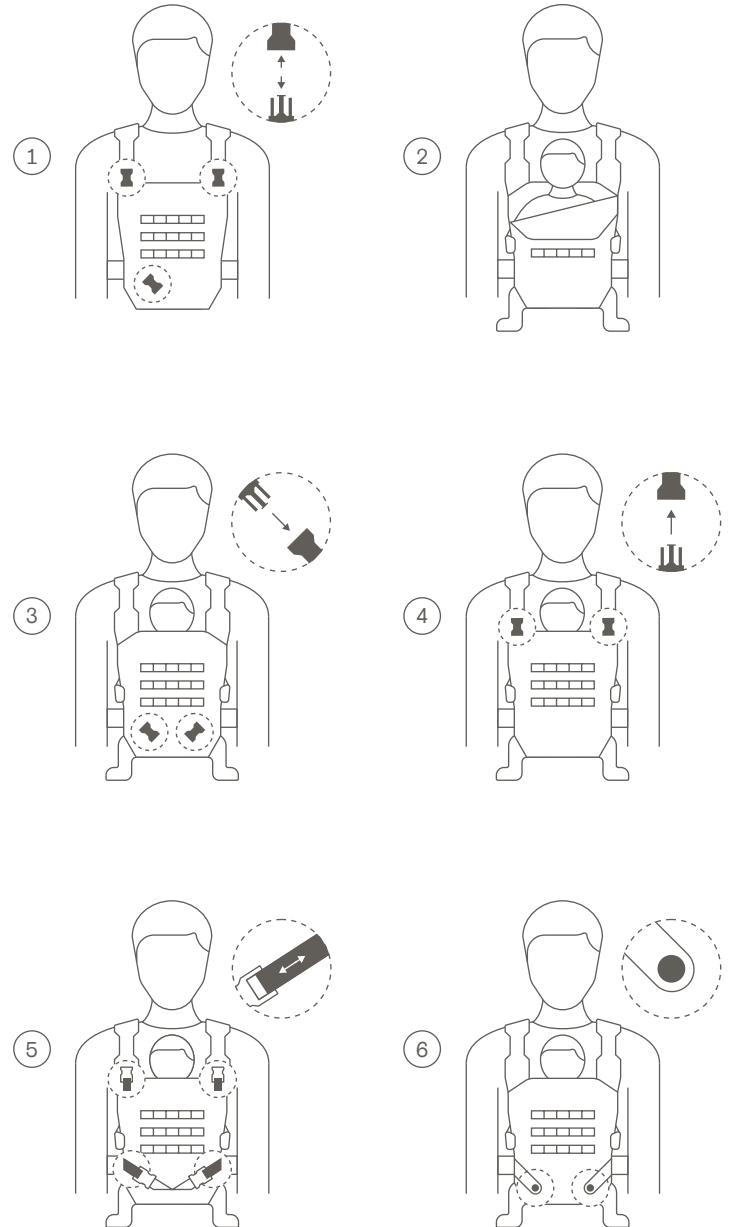
- 1 Unbuckle the two Waist Buckles and pull the Carrier over your head. Make sure the Back Panel is on your back, and the Chest Panel is over your chest.
- 2 Adjust the Shoulder Straps up and down to desired height making sure they remain fed underneath the elastic strap and the hook and loop is lined up.
- 3 Snap the two Waist Buckles together with an audible “click.” Adjust the Waist Belt evenly on both sides with the webbing, and secure the loose end of the webbing with the attached hook-and-loop tab. Make sure the Carrier feels snug while allowing for comfortable movement.



► CARRYING YOUR BABY

Practice loading your baby into the Carrier over a bed, while sitting, or with another adult to assist you.

- 1 Unbuckle the two Upper Carrier Buckles, and one or both of the Lower Carrier Buckles.
- 2 Load your baby into the Carrier facing inward or outward depending on their stage of development. Taking care to fully support their weight and their head, place them in the Carrier with their legs straddling the center and each leg on either side of the crotch support.
- 3 Snap-in both Lower Carrier Buckles with an audible “click.”
- 4 Snap-in both Upper Carrier Buckles above your baby’s arms with an audible “click.”
- 5 Adjust the Lower Carrier Straps and Upper Carrier Straps to fit your baby. Tighten or loosen the webbing, and secure the loose end of the webbing with the attached hook-and-loop tab.
- 6 Fasten the Leg Straps to the Leg Strap Buttons on both sides if your baby is under 11 lbs (5 kg) in order to reduce the size of the leg openings.



▶ YOU KNOW YOUR CARRIER IS ADJUSTED CORRECTLY WHEN:

- 1 Baby is centered in the Carrier.
- 2 Baby's arms are underneath the Upper Carrier Straps.
- 3 Baby is high enough that their chin is above the adjacent fabric where the Removable Liner is attached.
- 4 Baby fits snugly and does not shift or tilt easily in the Carrier.
- 5 The Lower Carrier Straps fit snugly around baby's thighs, allowing them to be bent in a frog-like position; the Lower Carrier Straps are not too tight, allowing for proper circulation.

The first time you use the Carrier, you may need to unload your baby from the Carrier to re-adjust the fit. Continuously monitor and adjust the fit as your baby grows.

▶ USING THE SUN SHADE

Use the Sun Shade while carrying your baby in the inward or parent-facing position. Never use the Sun Shade when baby is facing outward as the fabric could cover the baby's face and restrict breathing.

- 1 Remove the Sun Shade from the Front Zip Pocket.

- 2 Lift the Sun Shade and use the snap on each side to secure it to the shoulder area.

▶ REMOVING YOUR BABY

Practice over a bed, while sitting, or with another adult to assist you.

- 1 Hold your baby securely with one arm, making sure to support their weight and head if necessary.
- 2 Unbuckle one or both of the Upper Carrier Buckles and one or both of the Lower Carrier Buckles.
- 3 Support your baby as you lift them out of the Carrier.

▶ CLEANING YOUR CARRIER

- 1 The Removable Liner snaps off. Machine-wash the Liner in cold water, delicate cycle; use a mild detergent, do not use bleach; line dry. Always reattach the Removable Liner before using the Carrier again.
- 2 Spot-clean the Carrier by applying a small amount of mild, diluted detergent onto a scrubbing cloth.

Limited Lifetime Warranty



Our products are built tough, and we stand behind them. For life. We are committed to offering our customers a Limited Lifetime Warranty on all Mission Critical® gear. Step into the unknown with confidence knowing we've got your back.

MISSION CRITICAL



Essential Gear
for Extraordinary Dads™

P.O. Box 610140
Redwood City, CA 94061
info@missioncritical.cc
+ 844 980 4851
missioncritical.cc