

# LUMUX INC.

## IMPORTANT SAFETY INSTRUCTIONS FOR INSTALLATION

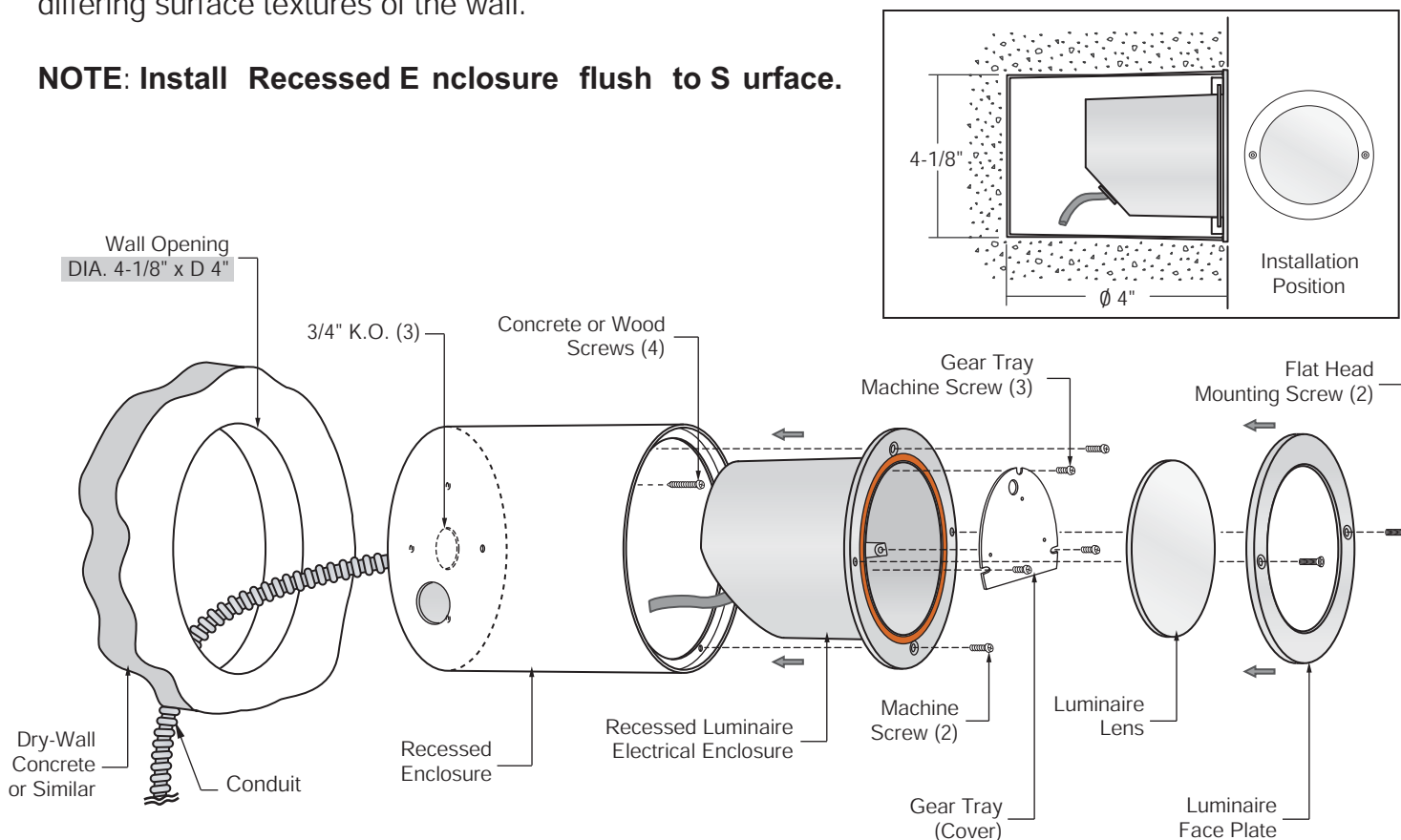
### PREPARING THE LUMINAIRE

### SAVE THESE INSTRUCTIONS

- WARNING** - Before starting the installation, disconnect the power by turning off the circuit breaker or removing the fuse at the fuse box. Turning the power off using the light switch is not sufficient to prevent electrical shock.
- If you are replacing an existing luminaire, disconnect and remove the old luminaire.  
Run the supply electrical wires through the Conduit Pipe or Flex (by others).
- Place the Recessed Enclosure into the Wall Opening and fasten it with the Screws (by others).
- Make electrical connections: Connect grounding wire (green or bare copper) from the supply circuit to the green or bare copper wire from the luminaire. Connect the white wire(s) from the luminaire to the white wire of the supply circuit. Connect the black wire(s) from the luminaire to the black wire of the supply circuit. Use U.L. Listed wire connectors (by others). Secure wire connectors with U.L. Listed electrical tape (by others).
- Install the Luminaire Electrical Enclosure and secure by using the two Machine Screws (provided) as shown in figure below.
- Replace the Ballast Gear Tray by using the three Machine Screws as shown in figure below.
- Install the lamp (by others) **Do Not Exceed Recommended Wattage.**
- Install Luminaire Face Plate with the two Mounting Screws (provided) as shown in figure below.

**IMPORTANT:** In order to comply with established electrical code, the installer must seal the area around the Electrical Enclosure Canopy and the Wall, with type of caulking compound such as GE 100% or Dow Corning 100% silicone to provide a watertight seal in accordance with the differing surface textures of the wall.

**NOTE:** Install Recessed Enclosure flush to Surface.



RECESSED WALL MOUNT CAT. **SLR300-SERIES**

Revised: 12/13/2021