

# 24" Panel Ready Dishwasher

100 Series Builder Model – Panel Ready SHVM4AYB3N



**SHVM4AYB3N**  
Panel Ready

**Bosch dishwashers are so quiet, you may forget they're on. InfoLight® projects a red light onto the floor to let you know it's on.**

## Features & Benefits

49 dBA: Quietest dishwasher brand in North America.<sup>1</sup>

InfoLight® shines on the floor so you know the dishwasher's running.

RackMatic® offers 2 height levels, for 4 possible rack positions.

24/7 Overflow Protection System® helps prevent water leaks, even when your dishwasher is off.

Specially engineered Detergent Tray optimizes detergent dissolving for perfect results.

Includes Power Cord for easier installation.

## General Properties

|   |                                   |
|---|-----------------------------------|
| Number of wash cycles                       | 4                                 |
| Number of options                           | 4                                 |
| dBA   | 49                                |
| Drying system                               | PureDry®                          |
| Third rack                                  | No                                |
| Rack adjustability                          | RackMatic®                        |
| Tub material                                | Stainless steel/<br>polypropylene |
| Control type                                | Buttons                           |
| Concealed heating element                   | Yes                               |
| Leak protection system                      | 24/7 Overflow Protection          |
| NSF®-certified <sup>2</sup> sanitize option | Yes                               |
| Water softener                              | No                                |
| Five-level wash                             | Yes                               |
| ChildLock                                   | No                                |
| Special features                            | InfoLight®                        |

## Efficiency

|                                       |     |
|---------------------------------------|-----|
| Water usage per cycle                 | 3.2 |
| ENERGY STAR® certified                | No  |
| Total annual energy consumption (kWh) | 269 |
| Total annual water consumption (g)    | 688 |

## Capacity

|                          |    |
|--------------------------|----|
| Number of place settings | 14 |
|--------------------------|----|



## Technical Details

|  |                           |
|--|---------------------------|
| Watts (W)  | 1440 W                    |
| Current (A)  | 12 Amps                   |
| Volts (V)  | 120 V                     |
| Frequency (Hz)   | 60 Hz                     |
| Power cord full length   | 67"                       |
| Power cord install length from edge of unit when facing the door (in) <sup>3</sup> | Left – 45"<br>Right – 50" |
| Minimum water pressure (lb/sin)  | 15                        |
| Length outlet hose (in)  | 90 1/2"                   |

## Dimensions & Weight

|   |                              |
|---|------------------------------|
| Overall appliance dimensions (HxWxD) (in) | 33 7/8" x 23 9/16" x 21 5/8" |
| Required cutout size (HxWxD) (in)         | 33 7/8" x 24" x 24"          |
| Adjustable feet                           | Yes                          |
| Net weight (lbs)                          | 79 lbs                       |

## Accessories—Optional

|  |            |
|--|------------|
| Junction Box                                 | SMZPCJB1UC |
| Dishwasher Drain Hose Extension 76 3/4"      | SGZ1010UC  |
| Stainless Steel Straight Bosch Bar Handle    | SMZ1007UC  |
| Dishwasher Accessory Kit                     | SMZ5000    |
| DoubleFlex Silverware Basket                 | SMZ4000UC  |
| Edge Protector + Power Cord Clip Install Kit | SMZEPCC1UC |



<sup>1</sup>Based on an average of sound ratings of 24" Full Size Stainless Steel Tub dishwashers contained in major brands US & Canadian websites. Major brands defined as TraQLine Top 5 Market Share (US & Canada) December 2017.

<sup>2</sup>Certification to NSF/ANSI Standard 184 for residential dishwashers.

<sup>3</sup>September 2020 running production change to remove adhesive routing clips for power cord. These clips and the edge protector are now included in the dishwasher accessory kit # SMZEPCC1UC.

**Accessories:** To purchase Bosch accessories, cleaners & parts please visit [www.bosch-home.com/us/store](http://www.bosch-home.com/us/store) or call 1-800-944-2904 (Mon to Fri 5 am to 6 pm PST, Sat 6 am to 3 pm PST).

**Notes:** All height, width and depth dimensions are shown in inches. BSH reserves the absolute and unrestricted right to change product materials and specifications, at any time, without notice. Consult the product's installation instructions for final dimensional data and other details prior to making cutout.

**Warranties:** Please see Use & Care manual or Bosch website for statement of limited warranty.

**For more information on our entire line of products, go to [www.bosch-home.com/us](http://www.bosch-home.com/us) or call 1-800-944-2904**

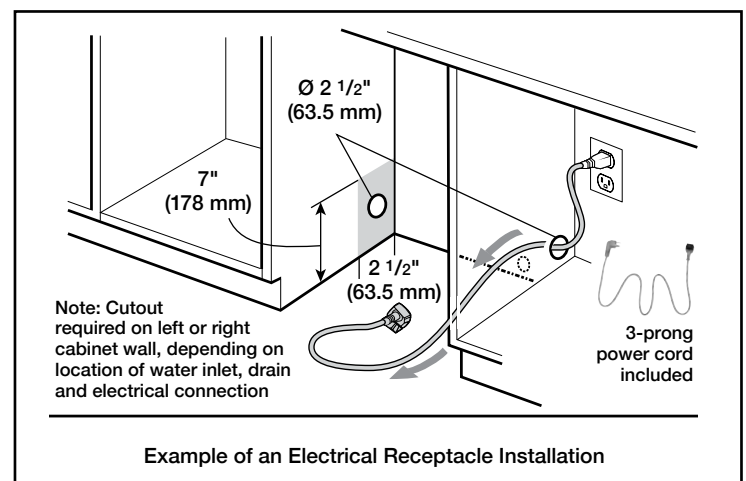
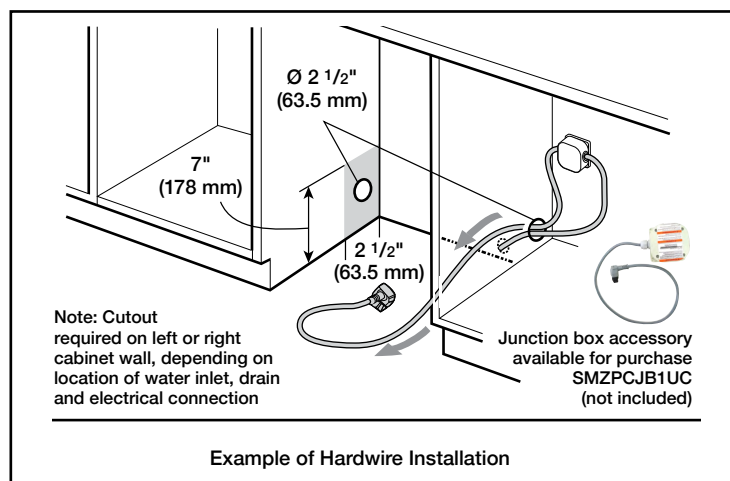
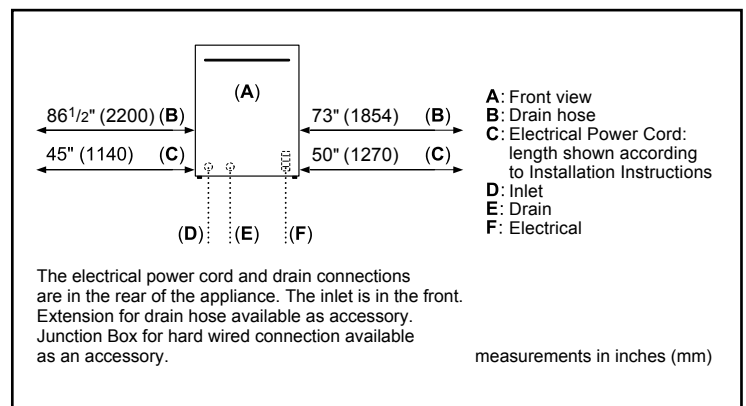
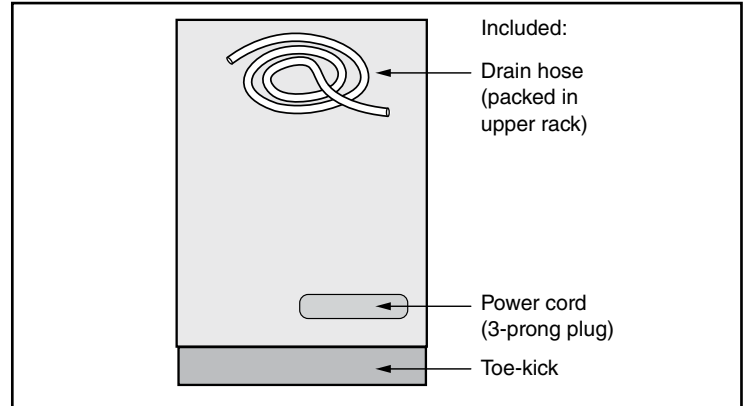
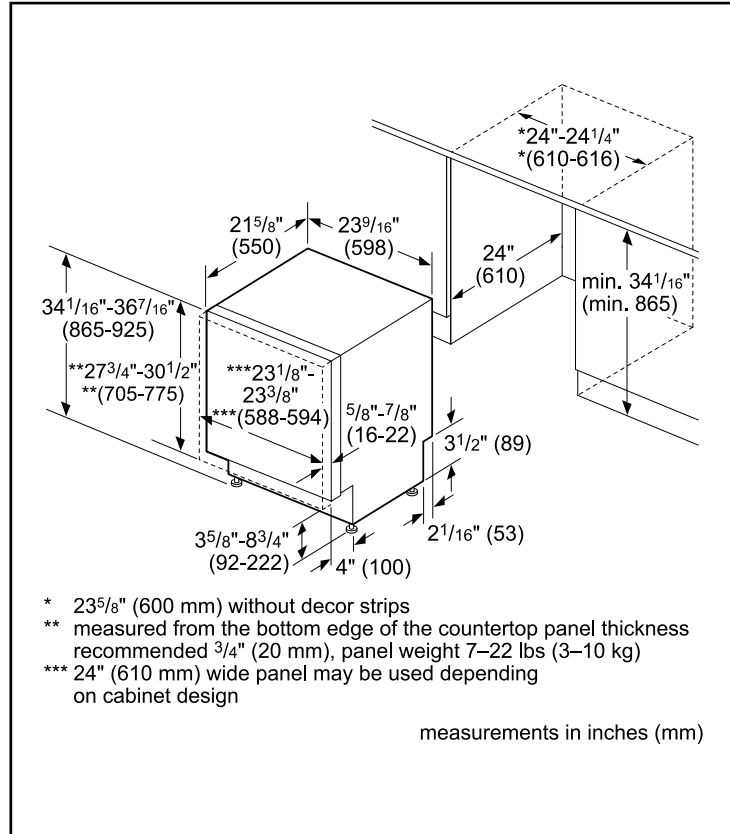
© BSH Home Appliances Corporation. All rights reserved. Bosch is a registered trademark of Robert Bosch GmbH.

# 24" Panel Ready Dishwasher

100 Series Builder Model – Panel Ready SHVM4AYB3N



## Installation Details



**Accessories:** To purchase Bosch accessories, cleaners & parts please visit [www.bosch-home.com/us/store](http://www.bosch-home.com/us/store) or call 1-800-944-2904 (Mon to Fri 5 am to 6 pm PST, Sat 6 am to 3 pm PST).

**Notes:** All height, width and depth dimensions are shown in inches. BSH reserves the absolute and unrestricted right to change product materials and specifications, at any time, without notice. Consult the product's installation instructions for final dimensional data and other details prior to making cutout.

**Warranties:** Please see Use & Care manual or Bosch website for statement of limited warranty.

**For more information on our entire line of products, go to [www.bosch-home.com/us](http://www.bosch-home.com/us) or call 1-800-944-2904**

© BSH Home Appliances Corporation. All rights reserved. Bosch is a registered trademark of Robert Bosch GmbH.

# 24" Panel Ready Dishwasher

100 Series Builder Model – Panel Ready SHVM4AYB3N

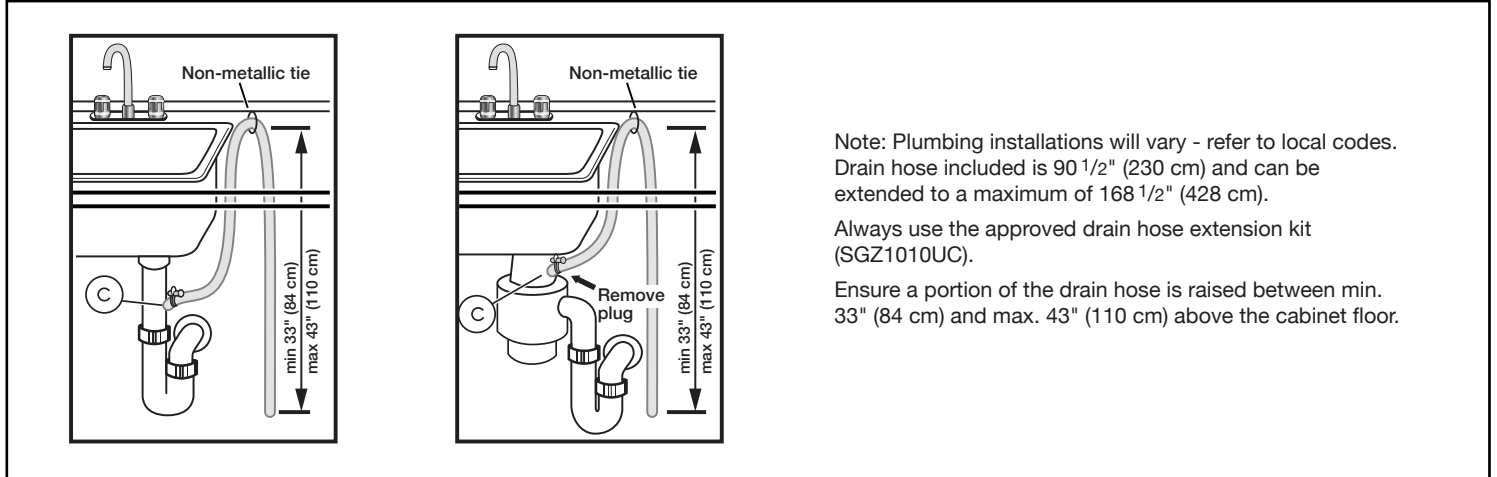


**BOSCH**

Invented for life



## Installation Details



**Accessories:** To purchase Bosch accessories, cleaners & parts please visit [www.bosch-home.com/us/store](http://www.bosch-home.com/us/store) or call 1-800-944-2904 (Mon to Fri 5 am to 6 pm PST, Sat 6 am to 3 pm PST).

**Notes:** All height, width and depth dimensions are shown in inches. BSH reserves the absolute and unrestricted right to change product materials and specifications, at any time, without notice. Consult the product's installation instructions for final dimensional data and other details prior to making cutout.

**Warranties:** Please see Use & Care manual or Bosch website for statement of limited warranty.

**For more information on our entire line of products, go to [www.bosch-home.com/us](http://www.bosch-home.com/us) or call 1-800-944-2904**

© BSH Home Appliances Corporation. All rights reserved. Bosch is a registered trademark of Robert Bosch GmbH.

7/23 BLDR