

**Installation Instructions  
Notice d'installation  
Instrucciones de instalación**





## **Important Safety Instructions: Please READ and SAVE this information**

To avoid possible injury or property damage, OBSERVE ALL WARNINGS AND CAUTIONS.

These instructions are intended for use by qualified installers only. The dishwasher must be installed by a qualified service technician or installer.

- In addition to these instructions, the dishwasher shall be installed to meet all electrical and plumbing codes and ordinances (both national and local).

**Read these installation instructions completely and follow them carefully.** They will save you time and effort and help to ensure safety and optimum dishwasher performance.

### **IMPORTANT**

- The dishwasher drain hose must be installed with a portion of it at least 20" (508 mm) off the cabinet floor; otherwise the dishwasher may not drain properly.
- This dishwasher is intended for indoor residential use only, and should not be used in commercial food service establishments.
- This dishwasher is designed to be enclosed on the top and both sides by cabinetry.
- **NEW INSTALLATION** - If the dishwasher is a new installation, ensure all connections are properly made before the dishwasher is moved into place.
- **REPLACEMENT** - If the dishwasher is replacing another dishwasher, check the existing dishwasher connections for compatibility with the new dishwasher, and replace parts as necessary.
- This appliance has been found to be in compliance with CAN/CSA-C22.2 No. 167/UL 749. It is the responsibility of the owner and the installer to determine if additional requirements and standards apply in specific installations.
- Not for outdoor use.

### **Inspect the Dishwasher**

After unpacking the dishwasher and prior to installation, thoroughly inspect the dishwasher for possible freight or cosmetic damage. Report any damage immediately. Cosmetic defects must be reported within 30 days of installation.

*NOTE: Do not discard any bags or items that come with the original package until after the entire installation has been completed.*

# **WARNING**

## **Avoiding General Hazards**

Do not use the dishwasher until it is completely installed. When opening the door on an uninstalled dishwasher, carefully open the door while supporting the rear of the unit. Failure to follow this warning can cause the dishwasher to tip over and result in serious injury.

Before installing the supplied counter top mounting brackets, decide which method will be used to secure the dishwasher into its opening. Once these mounting brackets are installed on the dishwasher, removing them is difficult and will damage the mounting brackets and the dishwasher.

In some conditions, hydrogen gas can form in a hot water system that has not been used for weeks. Hydrogen gas is explosive. Before filling a dishwasher from a system that has been off for weeks, run the water from a nearby faucet in a well ventilated area until there is no sound or evidence of gas.

Removing any cover or pulling the dishwasher from the cabinet can expose hot water connections, electrical power and sharp edges or points. Handle with care.



## **Avoiding Electrical Shock/Fire Hazards**

Do not work on an energized circuit. Doing so could result in serious injury or death. Only qualified electricians should perform electrical work. Do not attempt any work on the dishwasher electric supply circuit until you are certain the circuit is de-energized.

Make sure electrical work is properly installed. There should be no loose electrical connections. Ensure all electrical connections are properly made.

The customer has the responsibility of ensuring that the dishwasher electrical installation is in compliance with all national and local electrical codes and ordinances. The dishwasher is designed for an electrical supply of 120 V, 60 Hz, AC, connected to a dishwasher-dedicated, properly grounded electrical circuit with a fuse or breaker rated for 15 amps. Electrical supply conductors shall be a minimum #14 AWG copper only wire rated at 75°C (167°F) or higher.

This appliance must be connected to a grounded metal, permanent wiring system, or an equipment-grounding conductor must be run with the circuit conductors and connected to the equipment-grounding terminal or lead on the appliance. Do not use extension cords.



### **Avoiding Plumbing/Scalding Hazards**

Do not perform any work on a charged hot water line. Serious injury could result. Only qualified plumber should perform plumbing work. Do not attempt any work on the dishwasher hot water supply plumbing until you are certain the hot water supply is shut off.

Properly tighten all water connections. Not doing so could result in a leak.

Temperatures required for soldering and sweating will damage the dishwasher's base and water inlet valve. If plumbing lines are to be soldered or sweated, keep the heat source at least 6" (152.4 mm) away from the dishwasher.

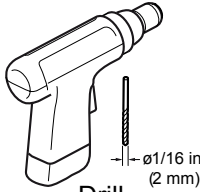
Check local plumbing codes for approved plumbing procedures and accessories. All plumbing should be done in accordance with national and local codes.

If using copper tubing or other material not depicted in this manual for water supply, defer to a licensed plumber for proper installation.

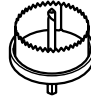
## Tools and Materials Needed



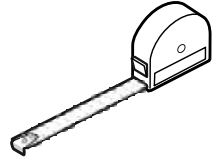
Adjustable Wrench



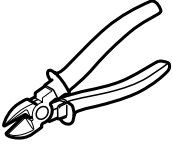
Drill



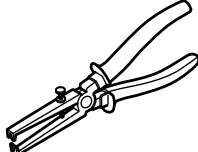
Hole Saw



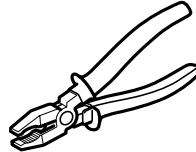
Tape Measure



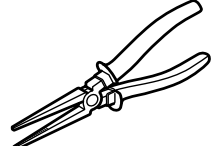
Wire Cutter



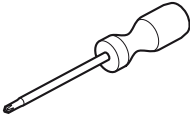
Wire Stripper



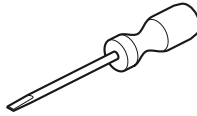
Pliers



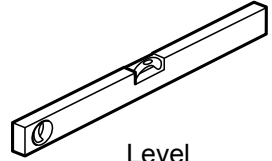
Needle Nose Pliers



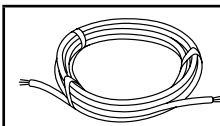
Phillips Screwdriver



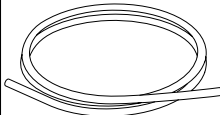
Slot Screwdriver



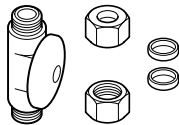
Level



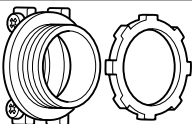
Electrical Supply Cable - Minimum #14 AWG, 2 conductor, 1 ground, insulated copper conductors rated 75°C or higher  
Only needed if house electrical line is not adequate.



Hot Water Supply Line - Minimum  $\frac{3}{8}$ " O.D. copper tubing or metal braided dishwasher supply line  
Only needed if house water supply line is not sufficient.



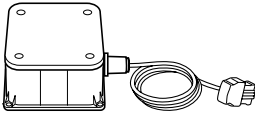
Shut-off valve and fittings appropriate for hot water supply line (copper tubing/compression fitting, or braided hose)



UL listed conduit connector or strain relief is required if you attach the field wiring directly to the terminal block

## Materials supplied (all models)

A



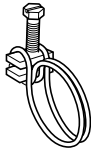
Junction Box

B



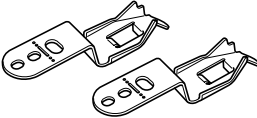
Edge Protector

C



Screw Clamp (for drain hose)

D



Mounting Brackets

E



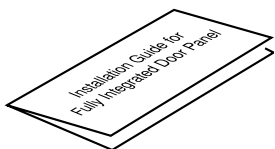
Mounting Bracket Screws  $\varnothing$  4x13 mm

F



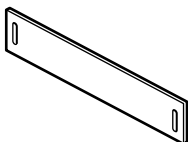
Adhesive Backed Cord Clip

## Materials supplied (model dependent)



Installation Guide for Fully Integrated Door Panel (model dependent)

G



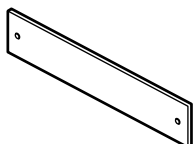
Slotted Toe Panel (model dependent)

H



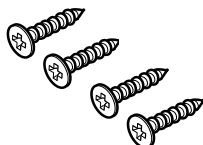
Slotted Toe Panel Screws  $\varnothing$  4x16 mm (model dependent)

I



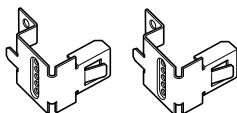
Non-Slotted Toe Panel (model dependent)

J



Non-Slotted Toe Panel Screws (model dependent) - Black or silver depending on toe panel color

K



Toe Panel Mounting Brackets (model dependent and only used with non-slotted toe panel shown above)

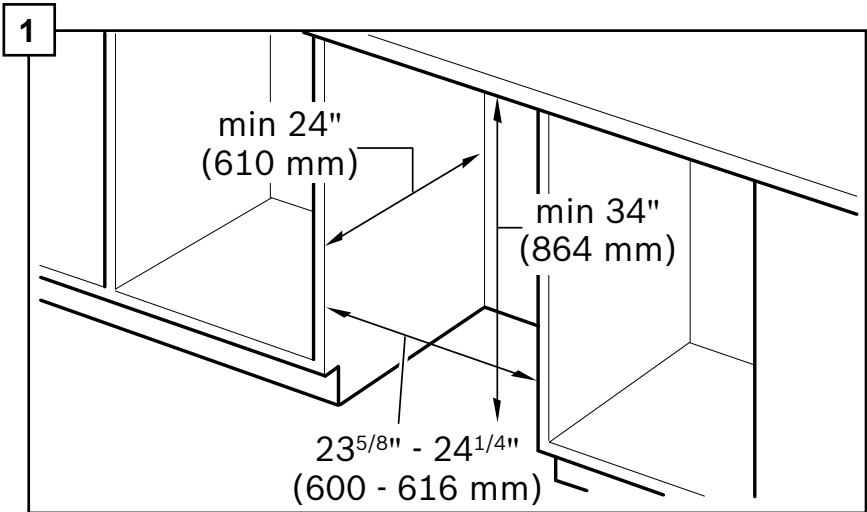


## Enclosure Requirements

### **WARNING**

**Avoid Scalding or Electrical Shock Hazard!**  
Make sure the water supply and electrical supply are shut off before installation or service.

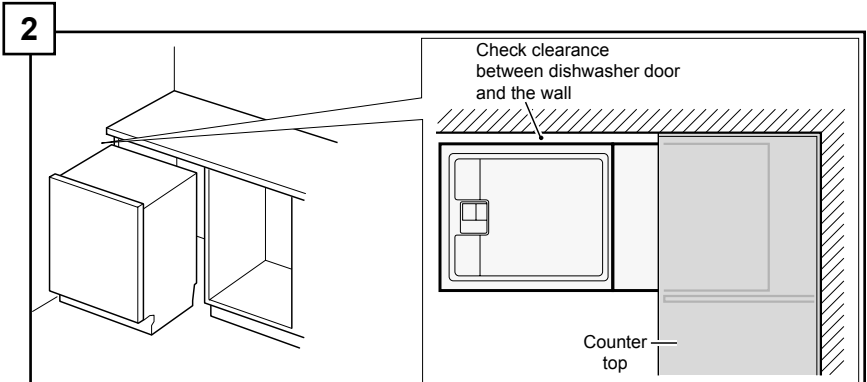
**Avoid Electrical Shock/Fire Hazard!**  
Do not allow the electrical and supply lines to touch.



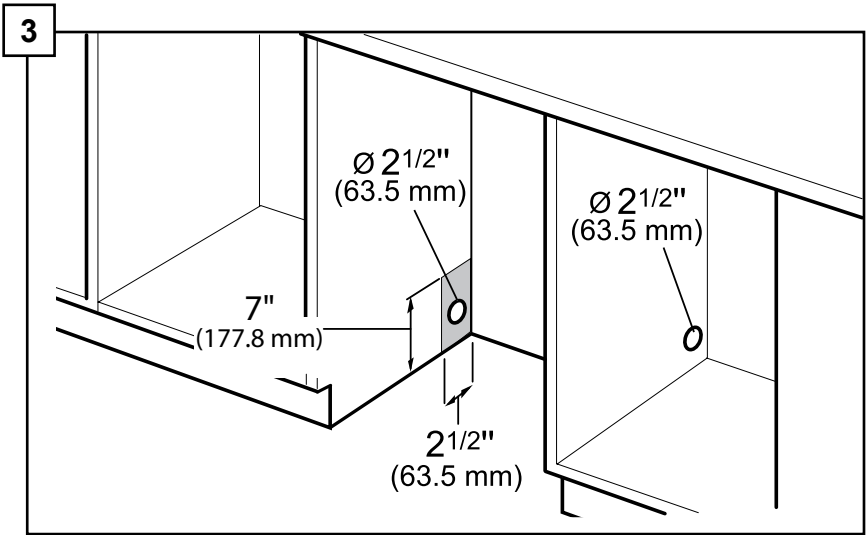
*Note: This dishwasher is designed to be enclosed on the top, back and both sides by standard residential kitchen cabinetry.*

**Select a location** as close to the sink as possible for easy access to water supply and drain lines.

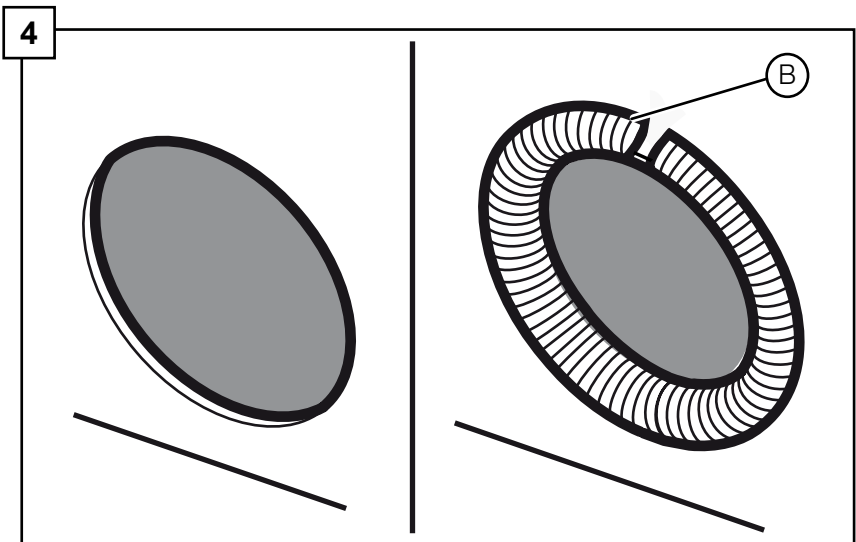
**For proper dishwasher operation** and appearance, ensure that the enclosure is square and has the dimensions shown.



**If the dishwasher is to be installed in a corner**, ensure that there is adequate clearance to open the door as shown.

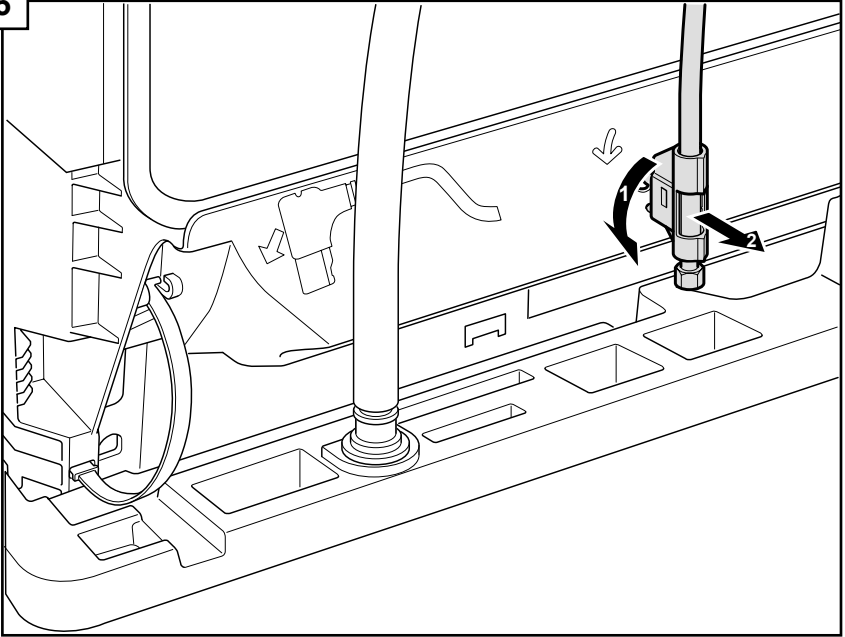


**After locating the proper place** for your dishwasher, create required openings in your cabinets in order to allow for water, drain and electrical lines on the appropriate side. The holes should be cut within the 4x2.5" area shown.



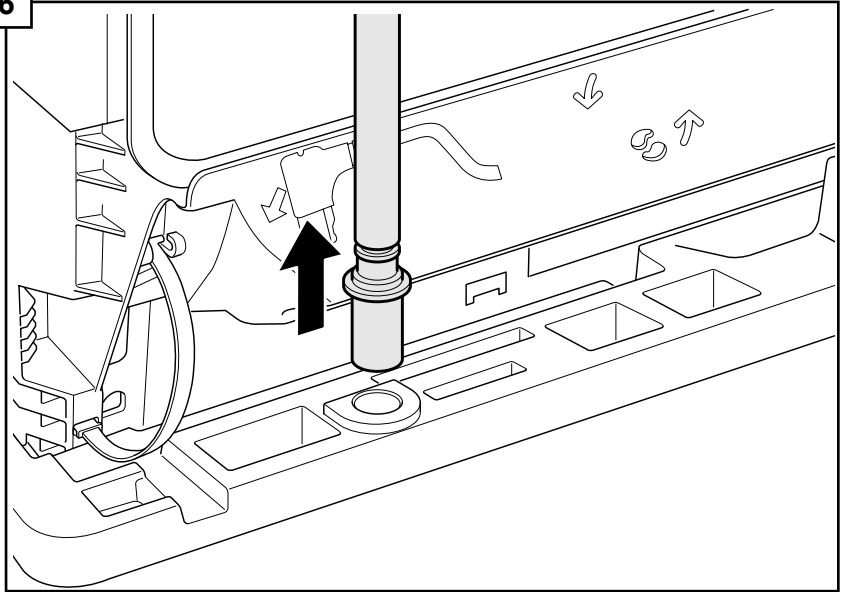
**If the opening is made through wood**, sand it smooth. If the opening is made through metal, use the provided edge protector (B) or other approved method to protect wiring from damage.

5



**Twist the end of the water supply line to detach from the dishwasher base as shown.**

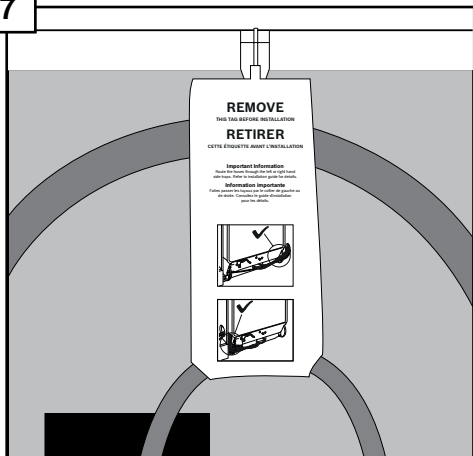
6



**Pull the drain hose out of the packaging base as shown.**

**Set toe panel aside for later use.**

7



Remove the hose hanger clip and hanger label at the back of the dishwasher as shown above.

## Electrical Preparation

### **⚠ WARNING**

#### **Avoid Electrical Shock Hazard**

**Do not work on an energized circuit. Doing so could result in serious injury or death. Only qualified electricians should perform electrical work. Do not attempt any work on the dishwasher electric supply circuit until you are certain the circuit is de-energized.**

**To avoid possible injury or property damage, care should be exercised when the dishwasher is installed or removed to reduce the likelihood of damage to the power cord.**

#### **Avoid Fire Hazard**

**Make sure electrical work is properly installed. Only qualified electricians should perform electrical work.**

**Make sure there are no loose electrical connections. Make sure all electrical connections are properly made.**

## Electrical Supply

The customer has the responsibility of ensuring that the dishwasher electrical installation is in compliance with all national and local electrical codes and ordinances. The dishwasher is designed for an electrical supply of 120V, 60 Hz, AC, connected to a dishwasher-dedicated, properly grounded electrical circuit with a fuse or breaker rated for 15 amps. **Electrical supply conductors shall be a minimum #14 AWG copper wire rated at 75°C (167°F) or higher.**

## Dishwasher Electrical Rating

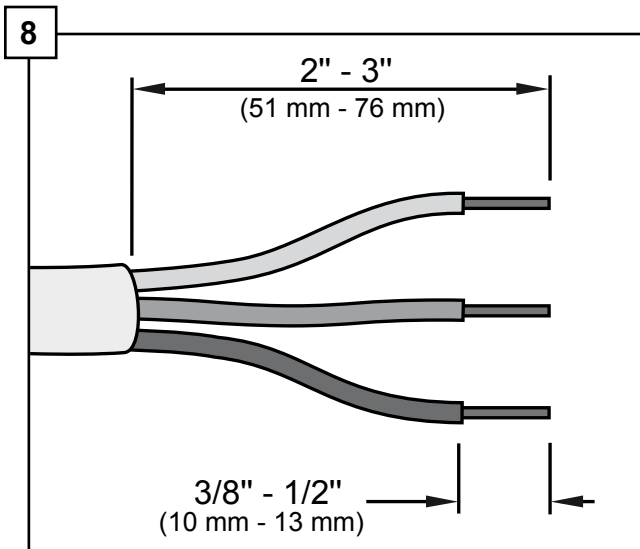
Volts	Hertz	Amperes	Watts
120	60	12	1,440 (max)

### Grounding Instructions

The dishwasher must be properly grounded before operating. This appliance must be connected to a grounded metal permanent wiring system or an equipment grounding conductor must be run with the circuit conductors and connected to the equipment grounding terminal or lead on the dishwasher. Make sure that the dishwasher is connected to a suitable ground in compliance with all local codes or, in the absence of a local code, with the NATIONAL ELECTRICAL CODE in the United States or the CANADIAN ELECTRIC CODE C22.1-latest edition in Canada as well as any provincial/state or municipal or local codes that apply.

### Note: Installations employing a Receptacle

The accessory cord kit (Model # SMZPC002UC) designed for connection to a receptacle is not provided, but can be ordered through Customer Service by calling 1-800-944-2904. Make sure the household receptacle meets the electrical supply requirements as well as national and local codes. If you choose to permanently connect to hardwiring, follow the next steps.

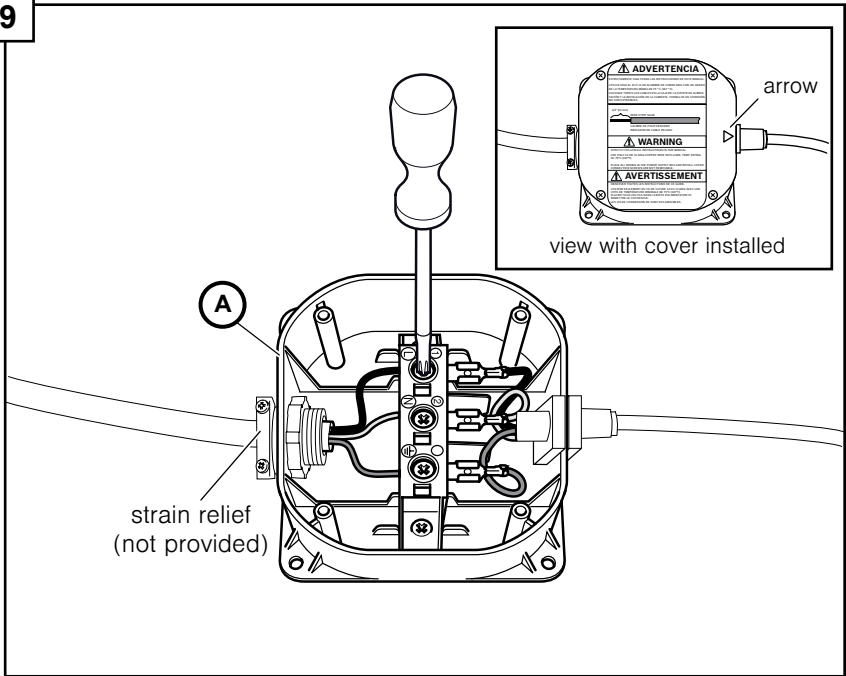


**Turn off any electricity** to installation area.

**Remove screws and cover** from junction box (A) and set aside for later use .

**Remove outer casing and insulation** of the hardwiring/power cord as shown.

9



**Attach strain relief (not provided) to opposite side of junction box.**

**Insert the bare copper or green wire (ground)** from the field supply wiring into the ground connection “ $\oplus$ ” of the terminal block and securely tighten the terminal block screw as shown.

**Insert the white (neutral) wire** to the “N” connection of the terminal block and securely tighten the terminal block screw.

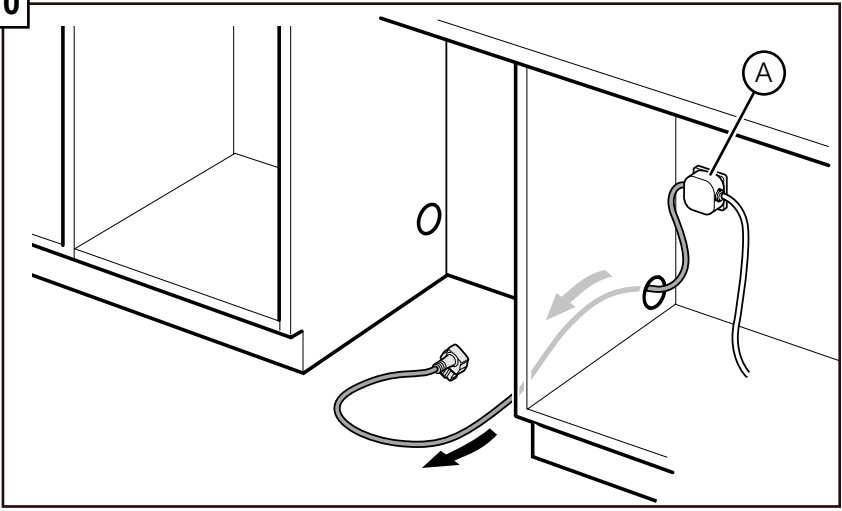
**Insert the black (hot) wire** to the “L” connection of the terminal block and securely tighten the terminal block screw.

**Tighten strain relief.**

**Check electrical connections** to ensure they are secure and then reattach junction box cover.

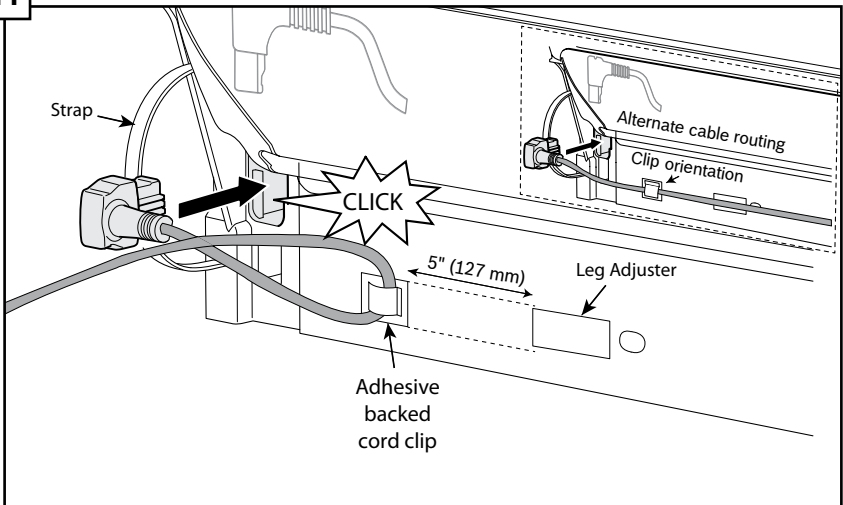
*Note: The arrow (shown in the figure above) should align with the power cord.*

10



Route supply cord through opening into dishwasher cabinet.

11



Place adhesive backed cord clip (provided in the installation kit) 5" (127 mm) from leg adjuster as shown in the figure above and route power cord through the clip.

*Note: The length of cord measured from the plastic back strap to the receptacle should be  $\leq 47.25"$  (1,200 mm).*

Route supply cord through strap and plug the end of the supply cord into the back of the dishwasher as shown until it clicks.

*Note: Ensure plug is fully seated.*

Mount the dishwasher electrical supply junction box (A) and dedicated receptacle in an accessible cabinet adjacent to the dishwasher (do not mount the junction box or receptacle behind the dishwasher).

*Note: Screws are not provided for mounting electrical supply junction box.* 13

## Installation of Mounting Brackets

### NOTICE

Before installing the supplied counter top mounting brackets, decide which method of securing the dishwasher into its enclosure will be used. Once the mounting brackets are installed on the dishwasher, removing them is difficult and will damage the mounting brackets and the dishwasher.

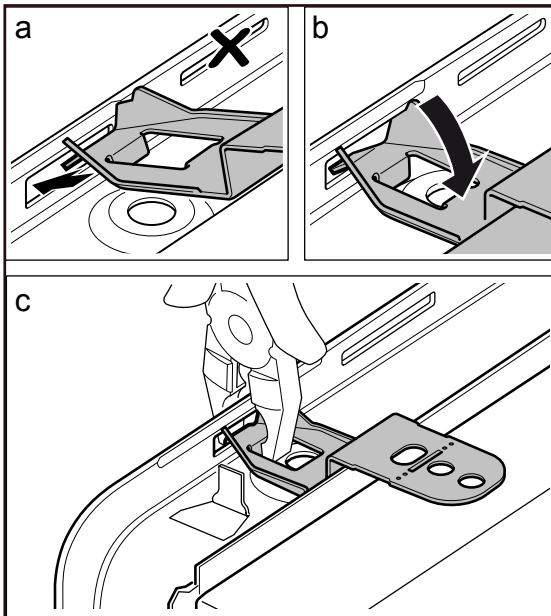
If you have a Fully Integrated Panel, do not attach mounting brackets until after attaching the panel to the door.

### ! WARNING

#### Avoid Tip Over Hazard

Do not use the dishwasher until it is completely installed. When opening the door on an uninstalled dishwasher, carefully open the door while supporting the rear of the unit. Failure to follow this warning can result in serious injury.

12



Top Mount is used for counter tops made of wood or other materials that can be easily drilled. If you have solid surface, marble, granite, or other very hard countertops, skip to step 13 now.

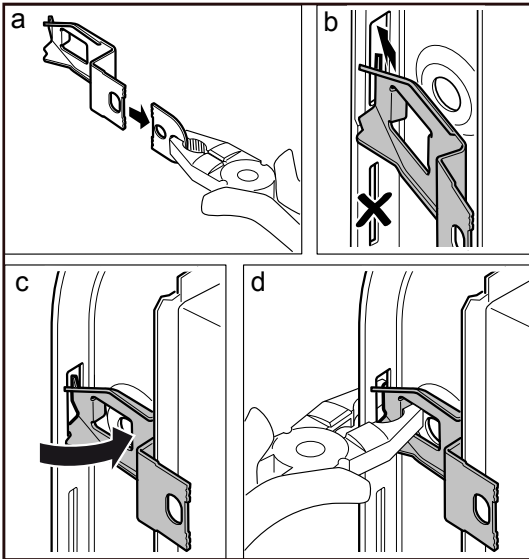
If insulation is covering the area in 12a, fold it back.

Orient the mounting brackets (D) as shown. Please note the positioning of the bracket in illustration 12b.

Using pliers, bend down as shown in 12c such that the bracket will not slip out of slot in frame. Do not attach to cabinet yet.



13



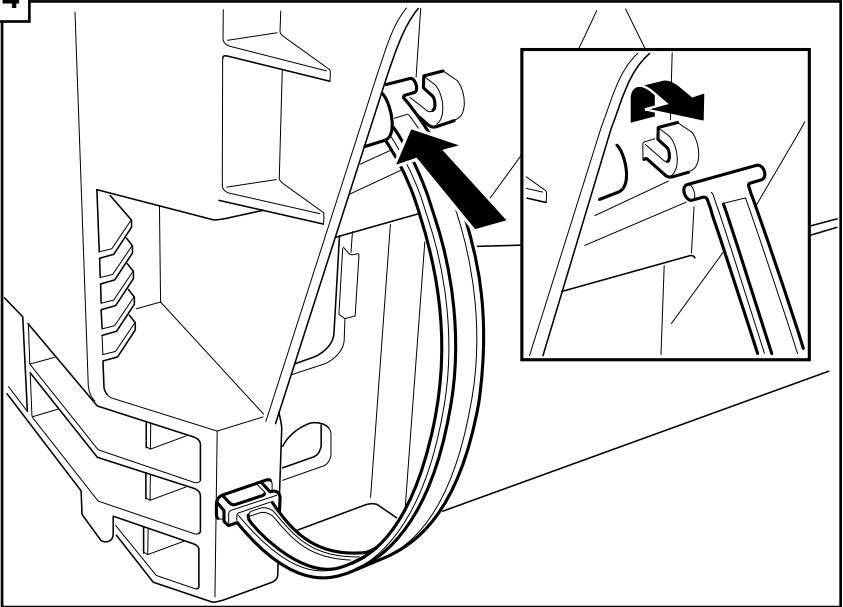
**Side Mount is used for counter tops made of marble, granite, or other very hard materials that cannot be easily drilled.**

**Grasp mounting bracket (D) with pliers at perforation and bend until rounded end breaks free. Discard end.**

**Slip bracket flange through side slots in frame as shown. Using pliers, bend flange such that the bracket will not slip out of slot. Do not attach to cabinet yet.**

## Positioning the Dishwasher

14

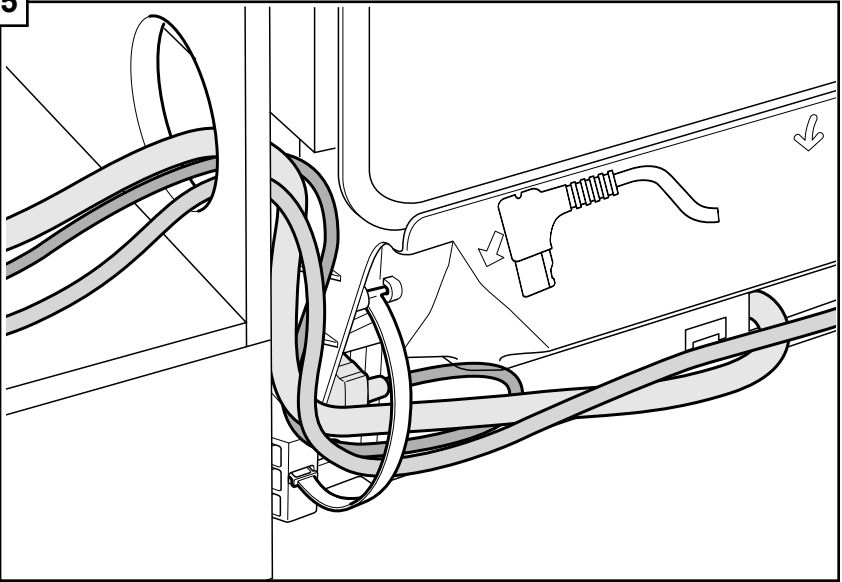


**If your sink is to the right side** of where you are installing the dishwasher, you will need to reposition the hoses behind the dishwasher before installing.

**To do so, unhook the strap** that the hoses are running through on the back of the dishwasher base and position them per your requirements.

**If your sink is to the left side**, leave the hoses as they came and skip to step 16.

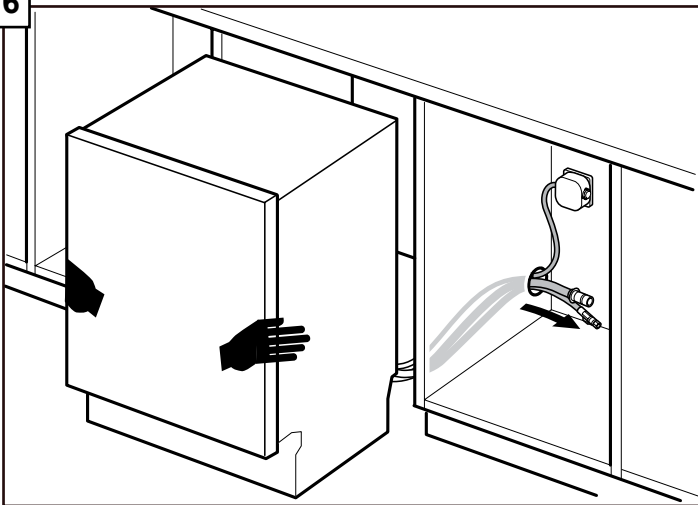
15



**Reposition the hoses** such that they run through the strap on the other side.

**Be sure to snap the strap back in place to secure the hoses as shown.**

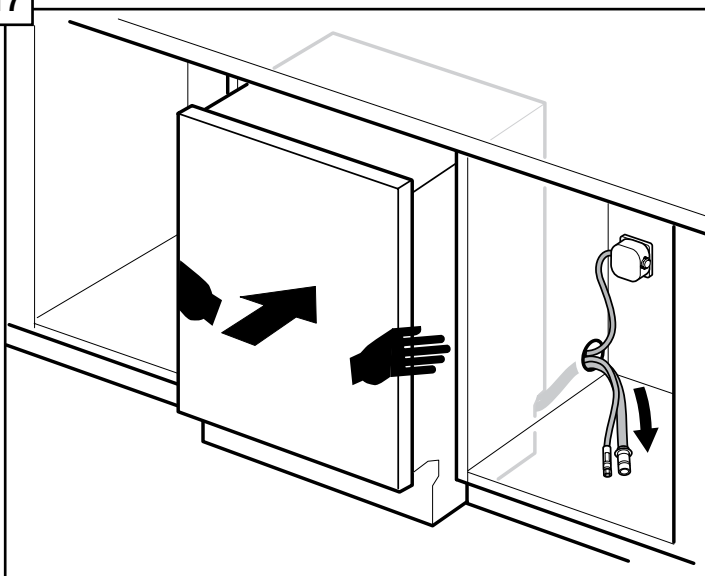
16



**To avoid scratching the floor,** use floor protection and caution when sliding the dishwasher into the cabinet. Use hands on both sides of dishwasher to push evenly.

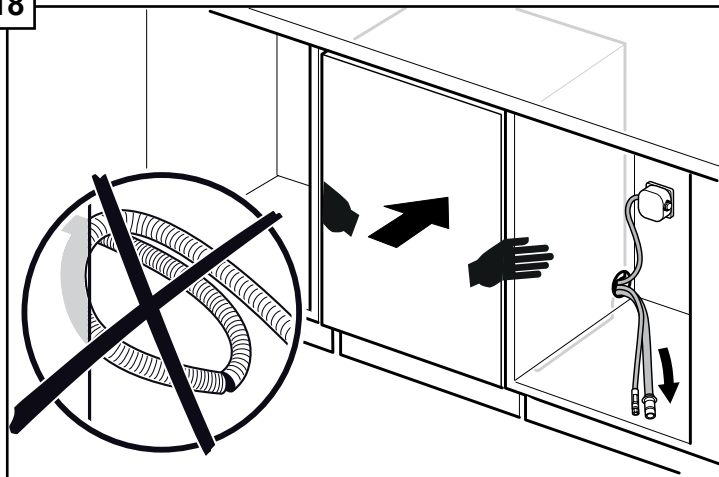
**Pull water inlet and drain hoses through the hole in cabinet as shown.**

17



**Push the unit 2/3 of the way into the opening and stop.**

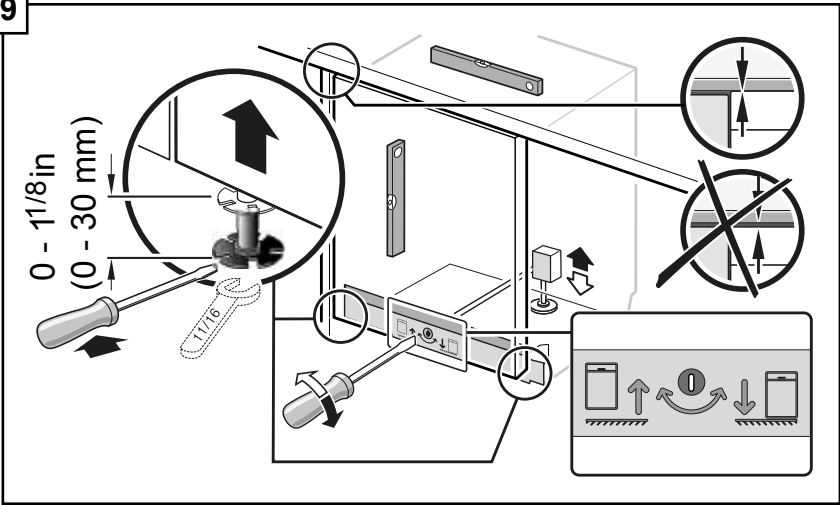
18



**Reach into adjacent cabinet and pull hoses and excess power cord completely out so they do not get kinked.**

**Push the unit in until flush with cabinet door.**

19



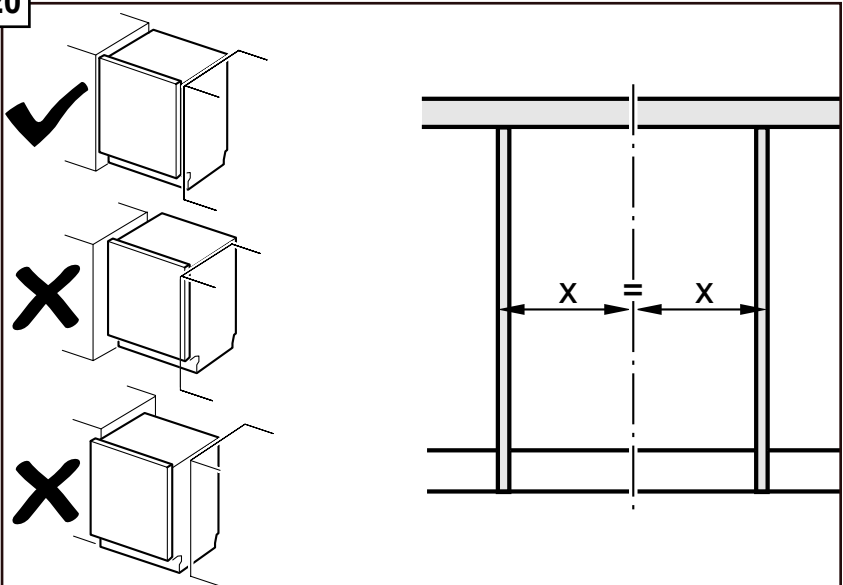
**Adjust the legs** as shown to raise the unit so it is flush with the counter.

**Use a level to check** that your dishwasher is level.

**Level side to side** by turning feet clockwise to raise or counter-clockwise to lower front of the unit as shown.

**Level front to back** by turning center screw clockwise to raise or counter-clockwise to lower the back.

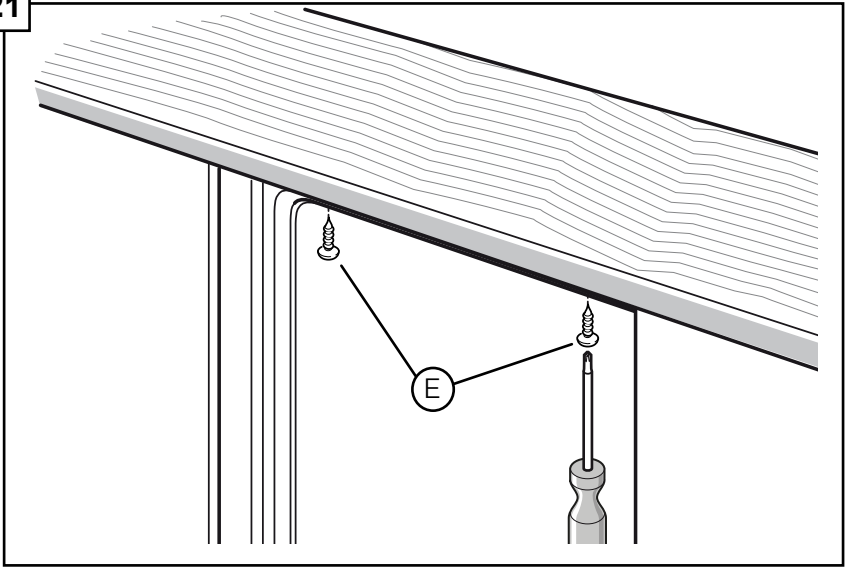
20



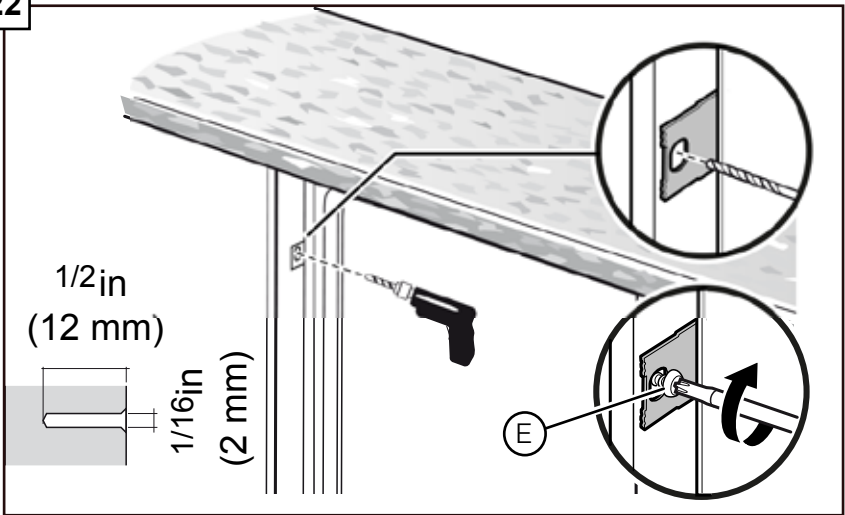
**Center the dishwasher** in the opening before securing it to your cabinet or counter top as shown.

## Securing the Dishwasher

21



22



**Drive the mounting screws (E) through the holes in the mounting brackets as shown for Top (21) or Side Mount (22).**

## Water Inlet Connections

### **WARNING**

#### Avoid Scald Hazard

**Do not perform any work on a charged hot water line. Serious injury could result. Only qualified plumbers should perform plumbing work. Do not attempt any work on the dishwasher hot water supply plumbing until you are certain the hot water supply is shut off.**

### **NOTICE**

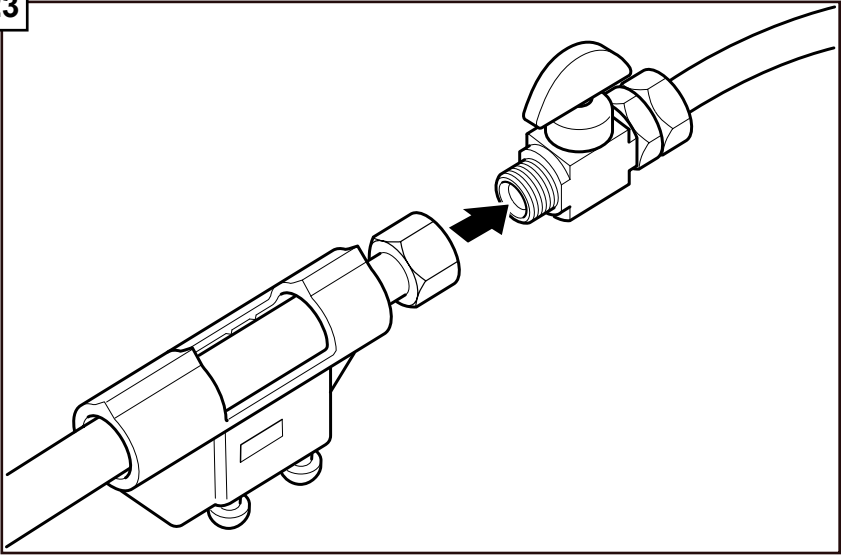
**Temperatures required for soldering and sweating will damage the dishwasher. If plumbing lines are to be soldered or sweated, keep the heat source at least 6 inches (152.4 mm) away from the dishwasher.**

#### **Hot Water Supply**

The hot water heater should be set to deliver approximately 120° F (49° C) water to the dishwasher. Water that is too hot can cause some detergents to lose effectiveness. Lower water temperatures will increase run times. The hot water supply pressure must be between 15 - 145 psi (1 - 10 bar).

#### **IMPORTANT NOTES:**

- If using a solder joint instead of a compression fitting, be sure to make all solder connections before connecting the water supply line to the dishwasher.
- Make sure there are no sharp bends or kinks in the water line that might restrict water flow.
- Always use the appropriate seal when making plumbing connections.
- Before connecting the water supply line to the dishwasher, flush the incoming water line for approximately 5 minutes to clear any foreign material.
- Turn on the water supply and check for leaks after connections are made.



**Connect the dishwasher water supply line to the water shut off valve.**

**You will need to use an approved dishwasher water supply line** with the correct fittings for this connection. Always use the appropriate seal when making plumbing connections.

**After all connections are made,** turn on the hot water and check for leaks.

## Drain Connections

### **IMPORTANT NOTES about your drain connection:**

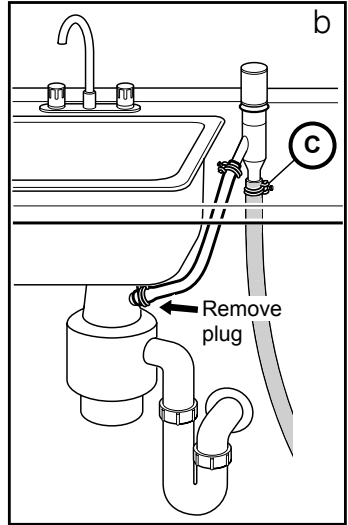
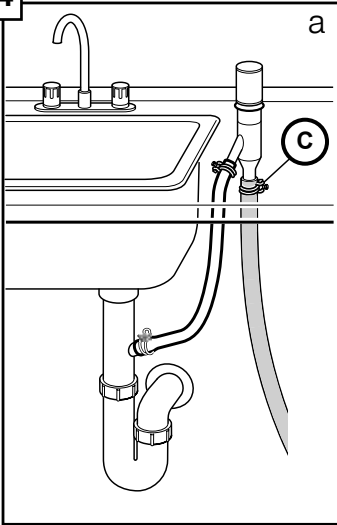
- If local ordinance requires an air gap, install it according to the manufacturer's instructions.
- **If the dishwasher drain hose is to be connected to a disposer dishwasher drain connection, remove the plug from the disposer's dishwasher drain connection.**
- The dishwasher drain hose must have one place along its length that is securely attached 20" (508 mm) above the cabinet floor.
- The drain hose length can be extended if necessary. The maximum length of the drain hose, including the hose leading to the air gap, is 150" (3800 mm).

**The dishwasher drain hose** must be installed with a portion of it at least 20" (508 mm) off the cabinet floor; otherwise the dishwasher may not drain properly.



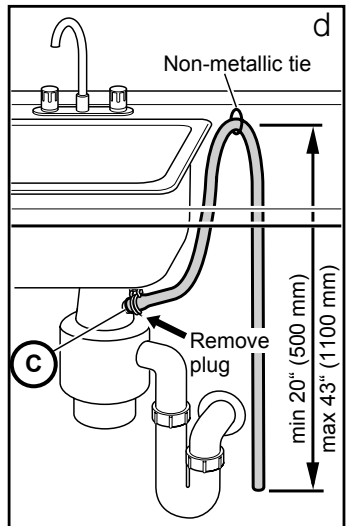
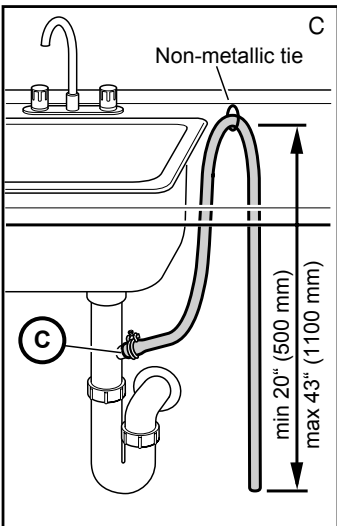
**NOTE: Place hose clamp around end of drain hose BEFORE connecting to the plumbing.**

**24**



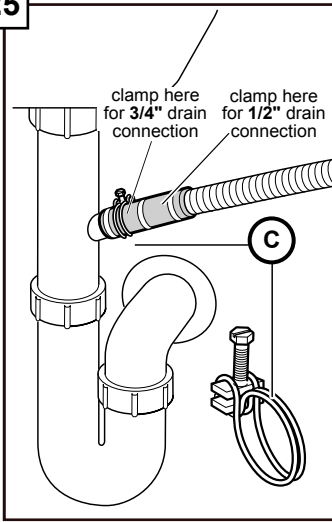
The dishwasher drain hose may be connected to the drain plumbing using an **air gap** in one of two ways:

- **Connect to the under sink dishwasher drain connection (24a).**
- **Connect to a disposer dishwasher drain connection (24b).**



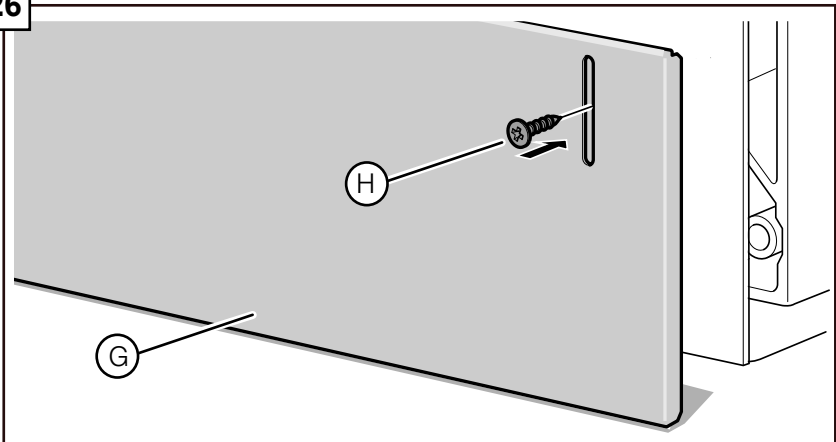
The dishwasher drain hose may be connected to the drain plumbing using a **high loop** in one of two ways:

- **Connect to the under sink dishwasher drain connection (24c).**
- **Connect to a disposer dishwasher drain connection (24d).**

**25**

**Use the clamp provided (C) to attach the drain hose to the house plumbing as shown.**

## Attaching the Toe Panel

**26**

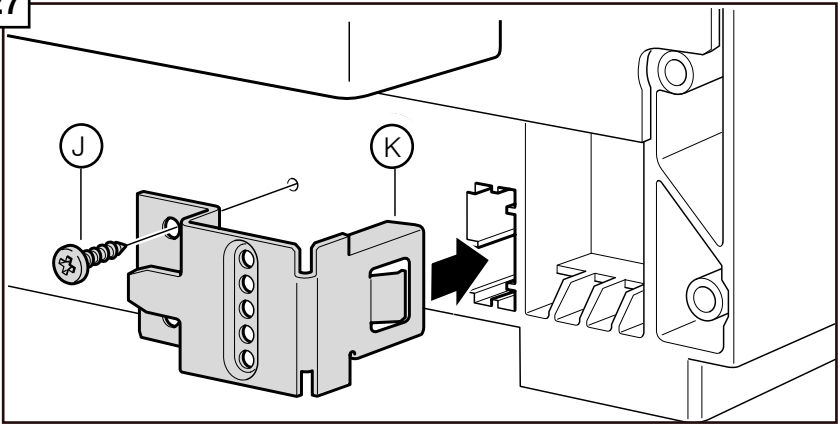
If your dishwasher came with a slotted toe panel (G), follow these instructions; otherwise skip to 27 now.

**Note:** If using the slotted toe panel shown in 26 above, then metal mounting brackets shown in 27 are not required.

**Position the slotted toe panel (G) on the dishwasher.** Allow it to rest on the floor.

**Attach using screws (H) as shown.** Use only the supplied screws to avoid damaging the dishwasher. The toe panel should be flush with the floor. Your installation is complete!

27

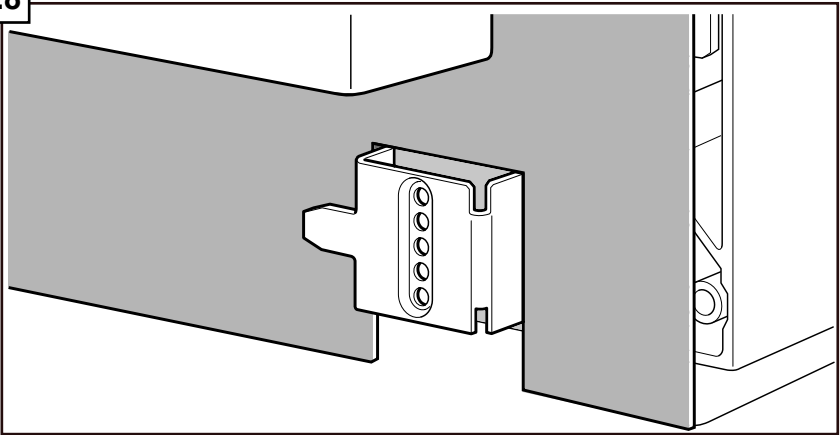


If your dishwasher came with a non-slotted toe panel (I) and toe panel brackets (K), follow these instructions:

Plug metal brackets (K) into openings on both sides of the base as shown.

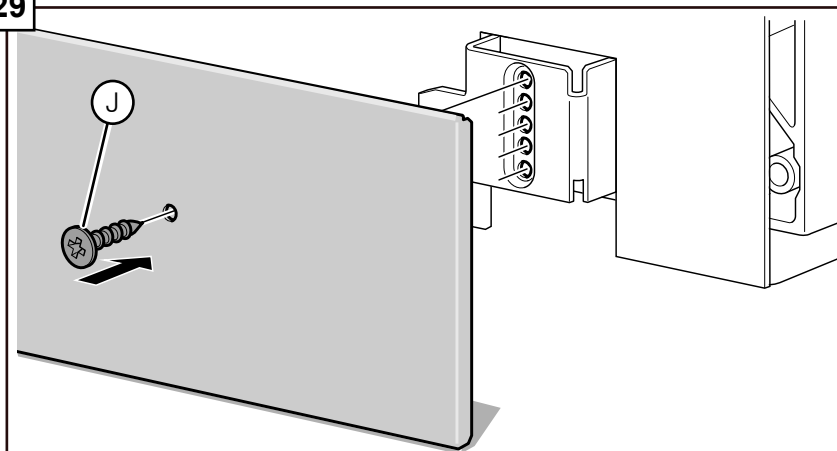
Use screw (J) to mount metal brackets to the base as shown.

28



Tuck the pre-attached rubber apron behind the fingers on the metal brackets as shown.

29



**Slide metal toe panel** into position ensuring the bottom of the toe panel is flush with the floor. Use screw (J) to mount the toe panel through the hole it matches up with on the metal brackets (K) as shown.

*Note: The toe panel height can be adjusted by screwing into a different hole in the bracket.*

**Check for correct fit** of apron by opening the door. Ensure the apron does not bind up and can freely move up and down behind the toe panel. Your installation is complete!

## Customer Service

Your dishwasher requires no special care other than that described in the Care and Maintenance section of the Use and Care Manual. If you are having a problem with your dishwasher, before calling for service please refer to the Self Help section in the Use and Care Manual. If service is necessary, contact your dealer or installer or an authorized service center.

Do not attempt to repair the appliance yourself. Any work performed by unauthorized personnel may void the warranty. If you are having a problem with your dishwasher and are not pleased with the service you have received, please take the following steps (in the order listed below) until the problem is corrected to your satisfaction:

1. Contact your installer or the Authorized Service Contractor in your area.
2. Write us at the address below:  
BSH Home Appliances Corporation  
1901 Main Street  
Irvine, CA 92614
3. Call us at the Customer Service phone number before calling retailer for technical problems :  
1-800-944-2904

Please be sure to include (if you are writing), or have available (if you are calling), the following information:

- Model number (SH\_\_\_\_\_ UC)
- Serial number (FD\_\_\_\_\_)
- Date of original purchase (mm/dd/yyyy)
- Date the problem originated (mm/dd/yyyy)
- Explanation of the problem
- Daytime phone number where you can be reached.

Please make a copy of your invoice and keep it with this manual. The customer must show proof of purchase to obtain warranty service.











## **Consignes de sécurité importantes: Veuillez LIRE et CONSERVER ces informations**

Afin d'éviter toute possibilité de blessures ou de dommages matériels VEUILLEZ OBSERVER TOUS LES AVERTISSEMENTS ET PRÉCAUTIONS.

Ces instructions sont destinées uniquement à l'usage des installateurs qualifiés. L'installation du lave-vaisselle doit être effectuée par un technicien de maintenance ou un installateur qualifié.

- Outre ces instructions, l'installation du lave-linge doit être effectuée conformément à tous les codes et ordonnances nationaux et locaux en matière d'électricité et de plomberie.

**Lire cette notice d'installation entièrement et s'y conformer scrupuleusement.** Cette notice vous permettra d'économiser du temps et des efforts et vous aidera à assurer la sécurité et l'efficacité optimale de votre lave-vaisselle.

### **IMPORTANT**

- Le tuyau de vidange du lave-vaisselle doit être installé de façon à ce qu'une partie du tuyau soit à 20 pouces (508 mm) minimum au-dessus du plancher de l'armoire ; autrement, le lave-vaisselle risque de ne pas se vider correctement.
- Ce lave-vaisselle est destiné à un usage domestique uniquement et ne doit pas être utilisé par des établissements de service alimentaire commerciaux.
- Ce lave-vaisselle est conçu pour être fermé sur le dessus et les deux côtés par des armoires.
- NOUVELLE INSTALLATION - Si le lave-vaisselle est installé pour la première fois, la plupart des travaux d'installation doivent être réalisés avant que l'appareil ne soit mis en place.
- REMPLACEMENT - Si le lave-vaisselle est installé en remplacement d'un autre, vérifier les raccordements du lave-vaisselle existant pour vous assurer qu'ils sont compatibles à ceux du nouveau lave-vaisselle, et remplacer les pièces qui doivent l'être.
- Cet appareil a été trouvé conforme à la norme CAN/CSA-C22.2 n° 167/UL 749. Le propriétaire et l'installateur ont la responsabilité de déterminer si des exigences et normes supplémentaires s'appliquent à des installations spécifiques.
- Non pour l'usage en extérieur.

### **Inspection du lave-vaisselle**

Après avoir déballé le lave-vaisselle et avant son installation, examinez-le attentivement pour déceler d'éventuels dégâts esthétiques ou liés au transport. Signaler immédiatement tout dégât. Les défauts esthétiques doivent être signalés dans un délai de 30 jours à compter de l'installation.

**REMARQUE :** ne pas jeter les sacs ou les éléments contenus dans l'emballage d'origine avant d'avoir complètement terminé l'installation du lave-vaisselle.

# **AVERTISSEMENT**

## **Prévention des dangers d'ordre général**



Ne pas utiliser le lave-vaisselle tant que l'installation n'est pas complètement terminée. Pour ouvrir la porte d'un lave-vaisselle dont l'installation n'est pas terminée, agir avec prudence et en soutenant la partie arrière de l'appareil. Le non respect de cet avertissement peut entraîner le basculement du lave-vaisselle et provoquer de graves blessures.

Avant d'installer les pattes de fixation pour comptoir en « L » (certains modèles) fournies, déterminer la méthode à utiliser pour fixer solidement le lave-vaisselle dans l'ouverture. Une fois les pattes de fixation installées sur le lave-vaisselle, il sera difficile de les retirer sans les abîmer ainsi que le lave-vaisselle.

Sous certaines conditions, un chauffe-eau peut produire de l'hydrogène s'il n'a pas été utilisé pendant plusieurs semaines. L'hydrogène est un gaz explosif. Avant de remplir un lave-vaisselle en utilisant de l'eau fournie par un chauffe-eau qui n'a pas fonctionné pendant plusieurs semaines, faites couler l'eau d'un robinet situé à proximité, dans un endroit bien aéré, jusqu'à ce qu'il n'y ait plus de bruit et qu'aucun dégagement de gaz ne se manifeste de façon visible.

Le retrait d'une paroi ou le fait de tirer le lave-vaisselle hors de son encastrement peut exposer les conduites d'eau chaude, l'alimentation électrique et certains rebords et angles tranchants. Effectuer ces manœuvres avec prudence.



## **Éviter les chocs électriques / Feu Dangers**

Ne pas tenter d'intervenir sur un circuit sous tension. Vous risquez autrement des blessures graves, voire la mort. Seuls les électriciens qualifiés doivent effectuer des travaux sur l'installation électrique. Ne pas tenter d'intervenir sur le circuit électrique du lave-vaisselle à moins d'être certain que celui-ci est hors tension.

Vérifier que l'installation électrique est correctement réalisée. Il ne doit y avoir aucun raccordement électrique lâche. Vérifier que tous les branchements électriques sont correctement effectués.

Le client a la responsabilité de vérifier que l'installation électrique du lave-vaisselle est conforme à tous les codes et ordonnances électriques nationaux et locaux. Le lave-vaisselle a été conçu pour fonctionner avec une alimentation électrique en courant alternatif de 120 volts, 60 Hz, connectée à un circuit électrique correctement mis à la terre, adapté au lave-vaisselle, avec protection par fusible ou disjoncteur d'une puissance de 15 ampères. Les conducteurs d'alimentation électrique doivent être uniquement en fil de cuivre de calibre 14 AWG minimum pour une température nominale de 75°C (167°F) ou plus.

Cet appareil doit être raccordé à un système de câblage en métal permanent mis à la terre ou un conducteur de terre de l'appareil doit être utilisé avec les conducteurs de circuit et raccordé à la borne ou au fil de terre du lave-vaisselle. Ne pas utiliser de rallonge.

### **Prévention des dangers d'ébouillantage et liés aux travaux de plomberie**



Ne pas tenter de travailler sur une conduite d'eau chaude chargée. De graves blessures pourraient survenir. Seuls les plombiers qualifiés doivent effectuer des travaux sur la tuyauterie. Ne pas tenter d'intervenir sur la tuyauterie d'alimentation d'eau chaude du lave-vaisselle tant que vous n'êtes pas certain que l'alimentation d'eau chaude est coupée.

Les températures nécessaires pour souder et exsuder risquent d'endommager la base et le robinet d'arrivée d'eau du lave-vaisselle. Si certains tuyaux doivent être soudés ou exsudés, maintenir la source de chaleur au à 6 pouces (152,4 mm) minimum de distance de la base et du robinet d'arrivée d'eau du lave-vaisselle.

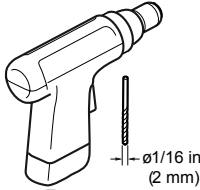
Consulter les codes de plomberie locaux pour connaître les procédures et accessoires de plomberie approuvés. Tous les travaux de plomberie doivent être réalisés conformément aux codes nationaux et locaux.

Ces instructions décrivent la méthode d'installation des flexibles tressés en acier inoxydable ou des conduites d'eau chaude en polyéthylène réticulé. Si vous utilisez des tubes en cuivre ou d'un matériau différent pour l'alimentation en eau, faire appel à un plombier autorisé afin d'assurer une installation adéquate.

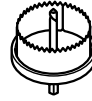
## Outils et pièces nécessaires



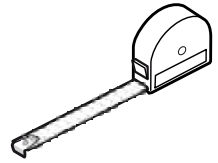
Clé ajustable



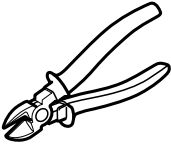
Perceuse



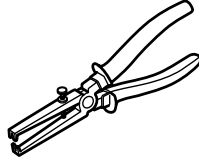
Scie cylindrique



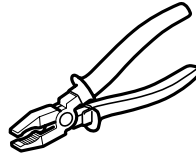
Ruban à mesurer



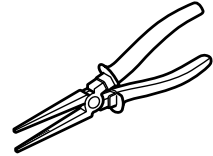
Pince coupante



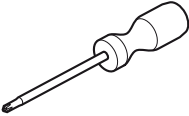
Pince à dénuder



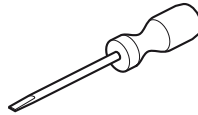
Pince



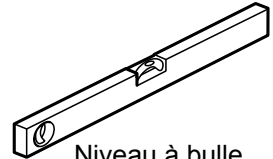
Needle Nose Pliers



Tournevis



Tournevis

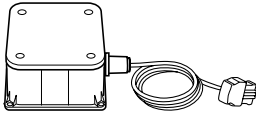


Niveau à bulle

	<p>Câble d'alimentation électrique - calibre de 14 AWG minimum, deux conducteurs, 1 mise à la terre, conducteurs en cuivre isolé à une température nominale de 75 °C ou plus. Nécessaire seulement si la ligne électrique de la maison est inadéquate.</p>
	<p>Conduite d'alimentation en eau chaude - tube de cuivre au minimum de 95 mm (3/8 po) de diamètre extérieur en polyéthylène réticulé ou conduite d'alimentation pour lave-vaisselle en métal tressé. Nécessaire seulement si la canalisation d'alimentation en eau de la maison est insuffisante.</p>
	<p>Soupape d'arrêt et raccords appropriés pour conduites d'eau chaude (tube de cuivre/raccord de compression, ou tuyau tressé).</p>
	<p>Un raccord de conduit ou raccord de retenue homologué UL est requis si le câblage sur site est directement relié au bornier.</p>

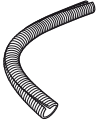
## Matériel fourni

(A)



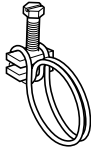
Boîte de jonction

(B)



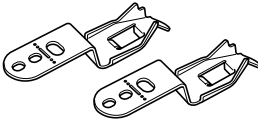
Gaine de protection flexible pour fil électrique

(C)



Collier à vis (pour flexible)

(D)



Pattes de fixation

(E)



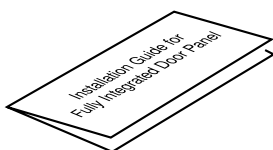
Vis des pattes de fixation Ø 4x13mm

(F)



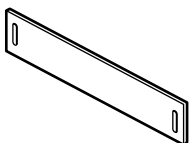
Dos adhésif clip cordon

## Matériel fourni (selon le modèle)



Guide d'installation pour un panneau de porte pleinement intégré (selon le modèle)

G



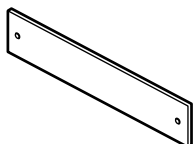
Panneau de plinthe à fentes (selon le modèle)

H



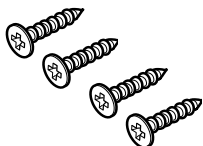
Vis pour le panneau de plinthe à fentes de 4 x 16 mm (selon le modèle)

I



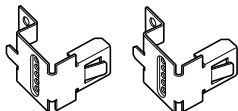
Panneau de plinthe sans fente (selon le modèle)

J



Vis pour le panneau de plinthe sans fente (selon le modèle) - Noir ou argent en fonction de la couleur du panneau de plinthe

K



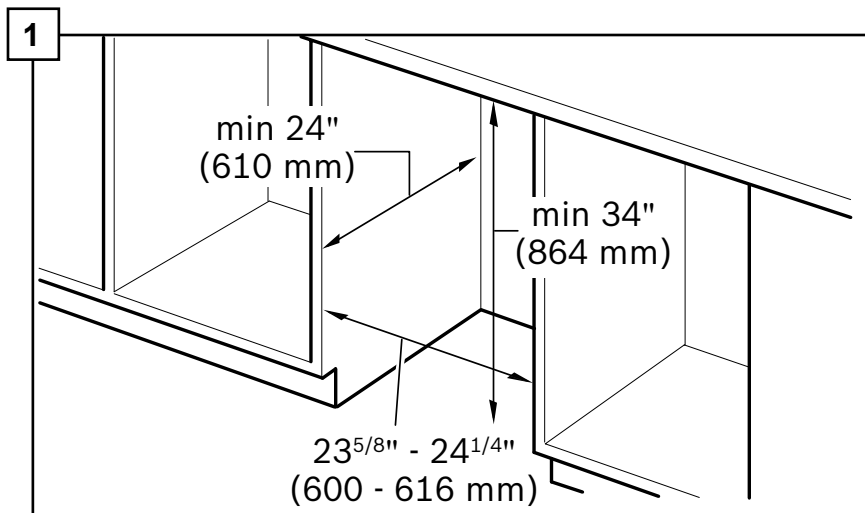
Pattes de fixation du panneau de plinthe (selon le modèle en fonction et n'être utilisé qu'avec panneau de plinthe non fendue modèle illustré ci-dessus)

## Exigences d'encastrement

# ⚠ AVERTISSEMENT

Évitez les brûlures ou les risques de secousse électrique !  
S'assurer que l'alimentation d'eau et l'alimentation électrique sont  
mises à l'arrêt avant toute installation ou réparation.

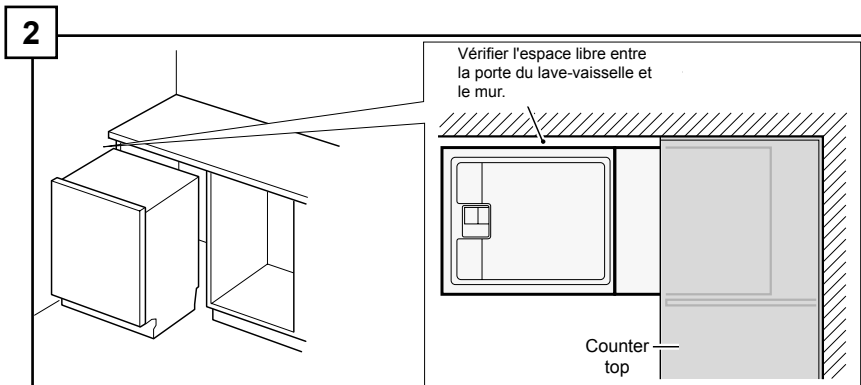
Evite Descarga Eléctrica / Peligro de incendio!  
No permita que las líneas eléctricas y de suministro para tocar.



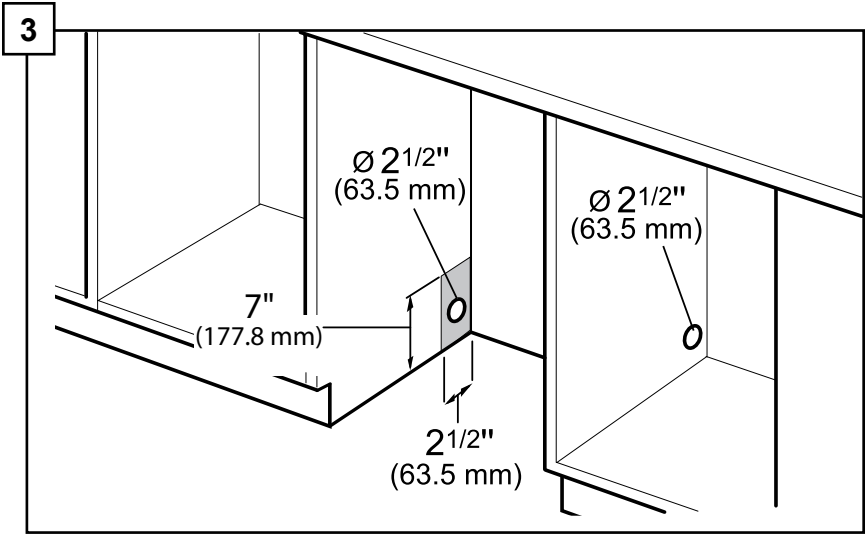
Remarque : ce lave-vaisselle est conçu pour être encastré sous un comptoir, à l'avant et entre deux armoires adjacentes standard d'une habitation.

Choisir un emplacement aussi près que possible de l'évier afin que les conduites d'alimentation et d'évacuation de l'eau soient facilement accessibles.

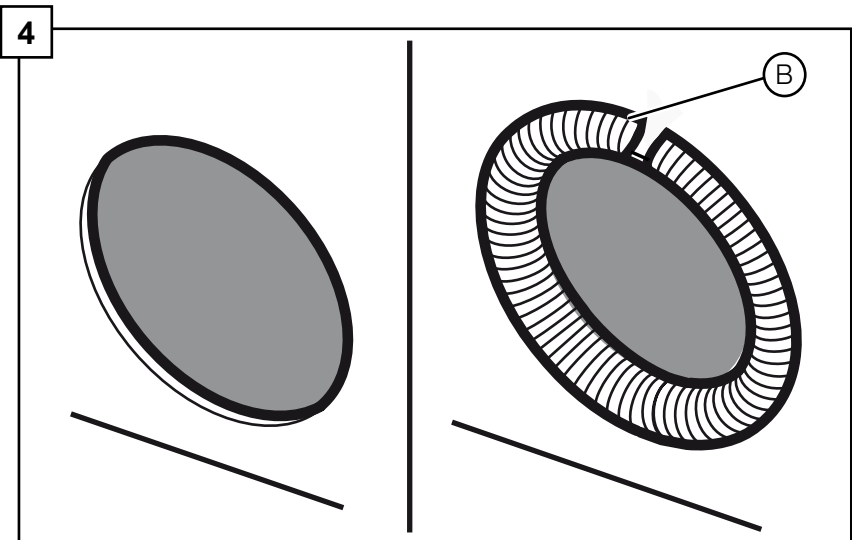
Pour un fonctionnement adéquat et une apparence appropriée du lave-vaisselle, s'assurer que l'encadrement est d'équerre et présente les dimensions indiquées ici.



Si le lave-vaisselle doit être installé dans un coin, s'assurer qu'il y a un espace libre suffisant pour ouvrir la porte tel qu'illustré.



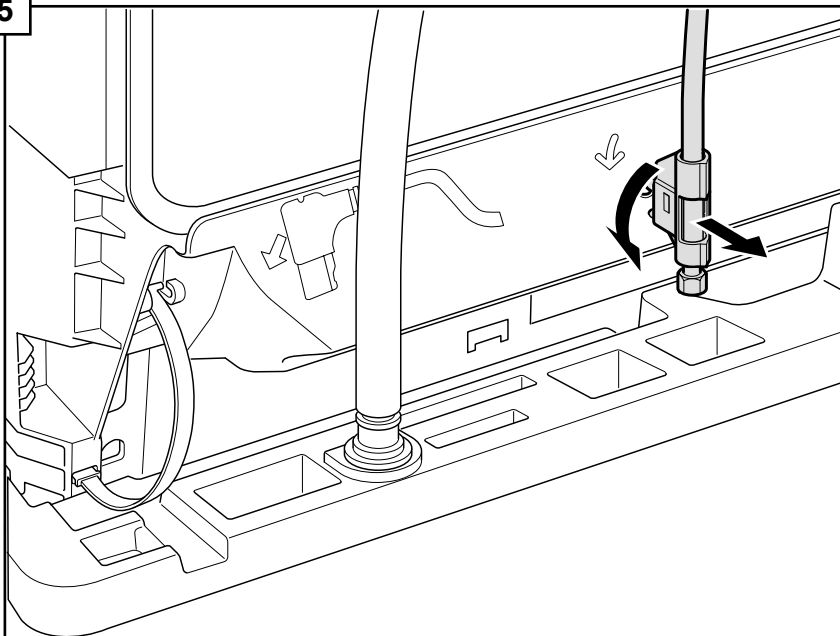
**Après avoir choisi un endroit approprié** pour votre lave-vaisselle, créer les ouvertures requises pour les connexions d'eau, d'évacuation et d'électricité sur le côté approprié. Les trous devraient être effectués dans la zone de 100 mm x 50 mm (4 x 2 po) illustrée.



**Si l'ouverture est percée dans du bois**, poncer les rebords du trou. Si l'ouverture est percée dans du métal, utiliser la protection de rebord comprise (B) ou toute autre méthode approuvée pour protéger le câblage de tout dommage.

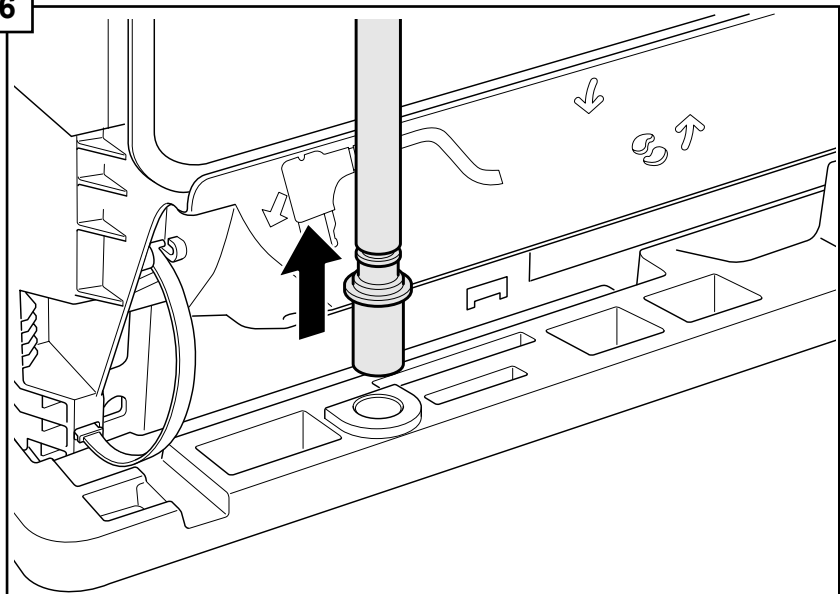


5



**Faire tourner le bout de la conduite** d'alimentation en eau pour la détacher de la base du lave-vaisselle, tel qu'illustré.

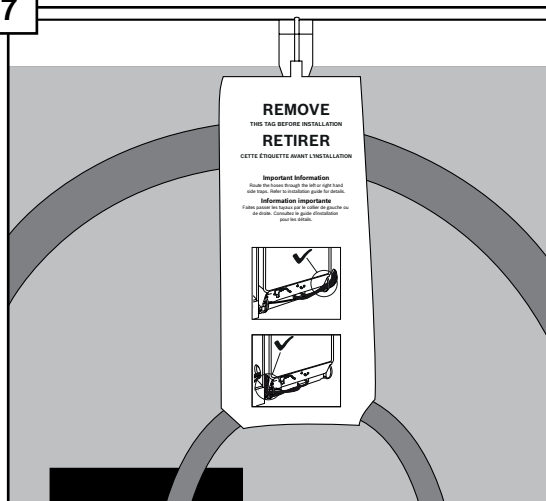
6



**Retirer le tuyau d'évacuation** de l'emballage de la base tel qu'illustré.

**Mettre le panneau de plinthe** de côté pour plus tard.

7



Retirer le collier de serrage du tuyau à l'arrière du lave-vaisselle tel qu'illustré.

## Préparation de l'installation électrique

### ⚠ AVERTISSEMENT

**Évitez les risques de décharge électrique et d'incendie. Ne pas tenter d'intervenir sur un circuit sous tension. Vous risquez autrement des blessures graves, voire la mort. Seuls les électriciens qualifiés doivent effectuer des travaux sur l'installation électrique. Ne pas tenter d'intervenir sur le circuit électrique du lave-vaisselle à moins d'être certain que celui-ci est hors tension.**

**Vérifier que l'installation électrique est correctement réalisée. Seuls les électriciens qualifiés doivent effectuer des travaux sur l'installation électrique.**

**S'assurer que les branchements électriques sont bien serrés. S'assurer que tous les branchements électriques sont bien faits.**

### Alimentation électrique

Le client a la responsabilité de vérifier que l'installation électrique du lave-vaisselle est conforme à tous les codes et ordonnances électriques nationaux et locaux. Le lave-vaisselle a été conçu pour fonctionner avec une alimentation électrique en courant alternatif de 120 volts, 60 Hz, connectée à un circuit électrique correctement mis à la terre, conçu pour les lave-vaisselle, avec protection par fusible ou disjoncteur d'une puissance de 15 ampères. Les conducteurs d'alimentation électrique doivent être en fil de cuivre de calibre 14 AWG minimum à une température nominale de 75°C (167°F) ou plus.

## Caractéristiques électriques du lave-vaisselle

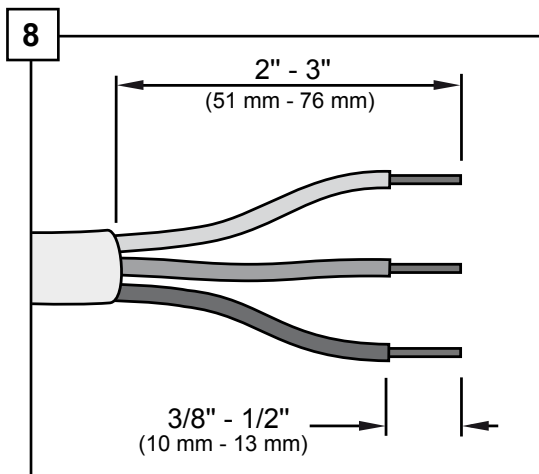
Volts	Hertz	Amperes	Watts
120	60	12	1,440 (max)

### Instructions de mise à la terre

Cet appareil doit être raccordé à un système de câblage en métal permanent mis à la terre ou un conducteur de mise à la terre du matériel doit être utilisé avec les conducteurs du circuit et raccordé à la borne de mise à la terre de l'appareil ou au fil conducteur du lave-vaisselle. S'assurer que le lave-vaisselle est relié à une masse adéquate conformément à tous les codes locaux, et en l'absence de code local, au CODE NATIONAL D'ÉLECTRICITÉ aux États-Unis ou au CODE D'ÉLECTRICITÉ DU CANADA, C22.1, dernière édition au Canada, ainsi qu'aux codes provinciaux, d'état ou municipaux qui s'appliquent.

### Remarque : Installations utilisant une prise

L'ensemble accessoire de cordon (numéro de modèle SMZPC002UC) conçu pour un branchement à une prise n'est pas fourni mais peut être commandé auprès du service après-vente en composant le 1-800-944-2904. S'assurer que la prise résidentielle correspond aux spécifications relatives à l'alimentation électrique, ainsi qu'aux codes nationaux ou locaux. Si vous choisissez un branchement permanent au câblage, suivre les étapes suivantes.

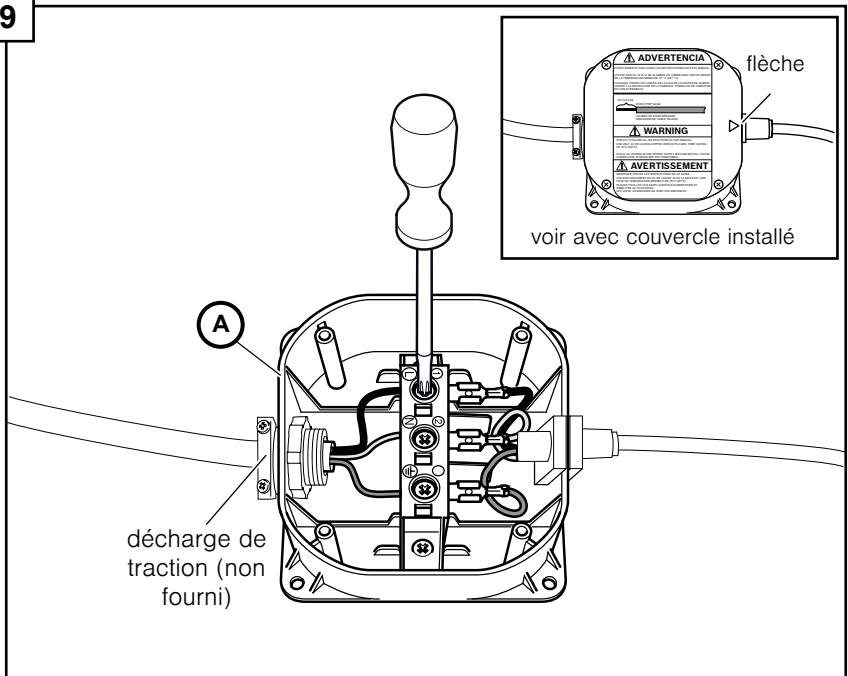


**Désactiver l'alimentation électrique** de la zone d'installation.

**Retirer les vis et le couvercle** de la boîte de jonction (A) et les conserver pour plus tard.

**Retirer le boîtier extérieur et l'isolant** du câblage/cordon d'alimentation tel qu'illustré.

9



**Fixer le raccord de retenue (non inclus) sur le côté opposé de la boîte de jonction.**

**Insérer le fil de cuivre dénudé ou vert (mise à la terre) du câble d'alimentation in situ dans le conducteur de terre  $\oplus$  du bornier et visser solidement la vis du bornier tel qu'illustré.**

**Insérer le fil blanc (neutre) dans la connexion « N » du bornier et visser solidement la vis du bornier.**

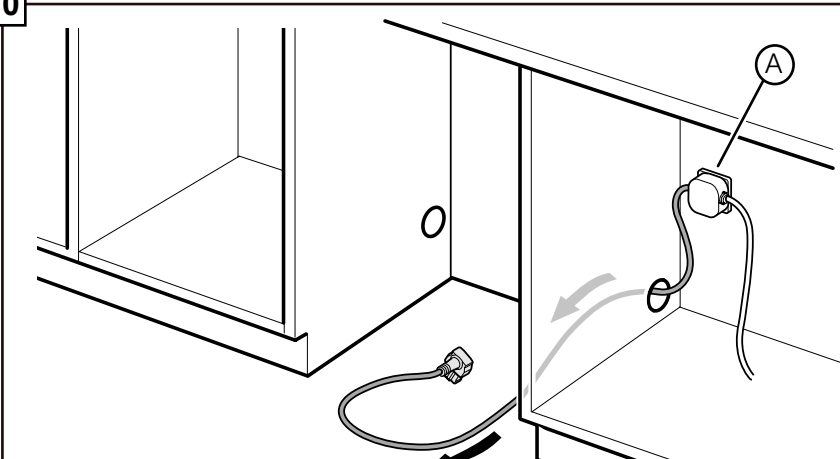
**Insérer le fil noir (chargé) dans la connexion « L » du bornier et visser solidement la vis du bornier.**

**Serrer le raccord de retenue.**

**Vérifiez les connexions électriques** afin de s'assurer qu'ils sont en sécurité et puis rattachiez couvercle de la boîte de jonction.

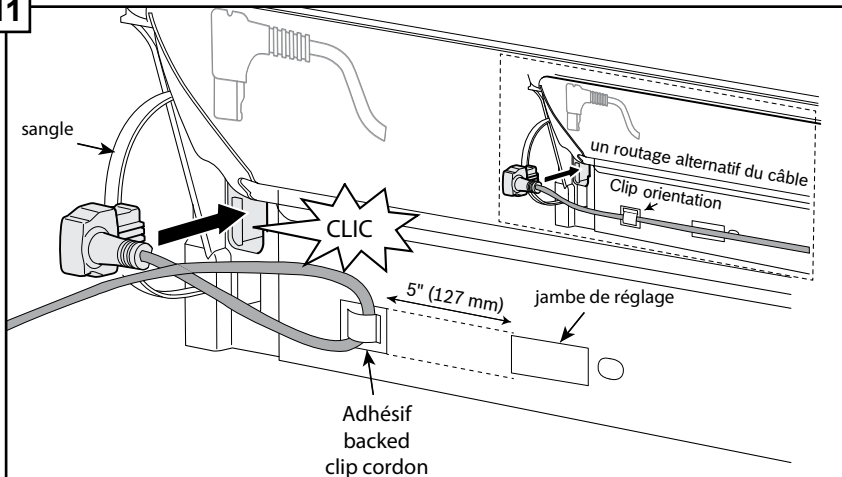
*Remarque : La flèche (indiqué sur la figure ci-dessus) devrait s'aligner avec le cordon d'alimentation.*

10



**Route cordon d'alimentation à travers un lave-vaisselle dans l'ouverture de l'armoire.**

11



**Placez clip cordon de colle de** (fourni dans le kit d'installation) 5" (127 mm) de jambe de réglage comme indiqué sur la figure ci-dessus et de la puissance de l'itinéraire cordon à travers le clip.

*Remarque : La longueur de la corde mesurée à partir de l'arrière en plastique sangle pour le récipient doit être  $\leq 47,25"$  (1200 mm).*

**Route cordon d'alimentation à travers la sangle et branchez l'extrémité du cordon d'alimentation à l'arrière du lave-vaisselle** tel qu'illustré jusqu'à ce qu'un déclic se produise.

*Remarque : Route cordon d'alimentation à travers un lave-vaisselle dans l'ouverture de l'armoire.*

**Installer la boîte de jonction de l'alimentation électrique (A)** du lave-vaisselle et la prise dédiée dans une armoire accessible adjacente au lave-vaisselle (ne pas installer la boîte de jonction ni la prise derrière l'appareil).

*Remarque : les vis pour l'installation de la boîte de jonction de l'alimentation électrique ne sont pas incluses.*

## Installation des pattes de fixation

# AVIS

Avant d'installer les pattes de fixation pour comptoir fournies, déterminer quelle méthode sécuritaire doit être utilisée pour installer le lave-vaisselle dans son emplacement. Une fois les pattes de fixation installées sur le lave-vaisselle, il sera difficile de les retirer sans les abîmer ou sans abîmer le lave-vaisselle.

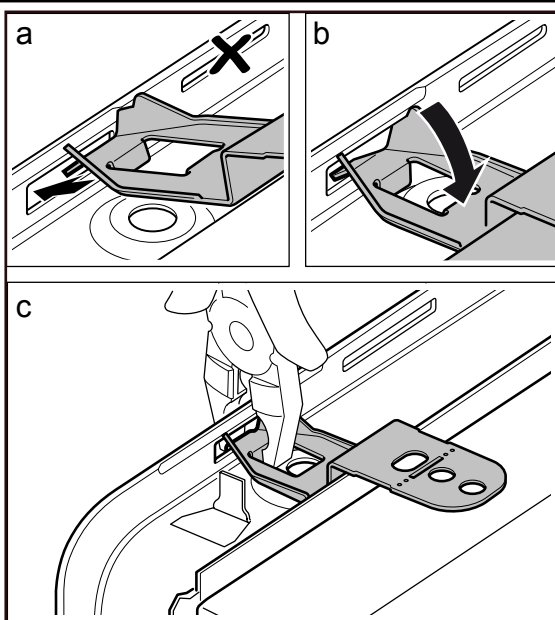
Si vous avez un panneau entièrement intégré, ne pas installer les pattes de fixation avant d'avoir fixé le panneau à la porte.

## ⚠ AVERTISSEMENT

Éviter les dangers de basculement

Ne pas utiliser le lave-vaisselle tant que l'installation n'est pas complètement terminée. Pour ouvrir la porte d'un lave-vaisselle dont l'installation n'est pas terminée, agir avec prudence et en soutenant la partie arrière de l'appareil. Le non respect de cet avertissement risque d'entraîner de graves blessures.

12



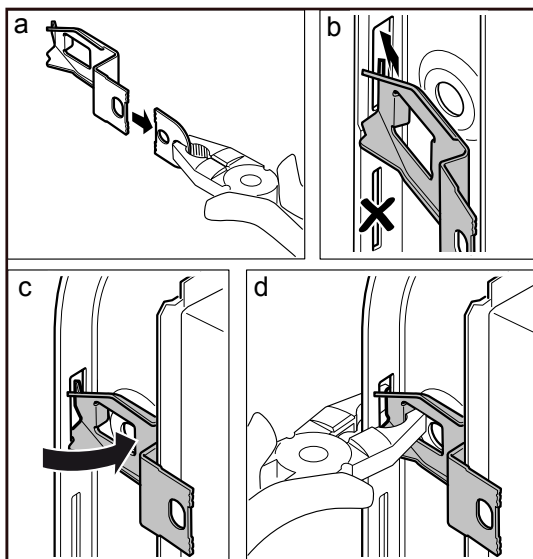
Le montage par le dessus est utilisé pour les comptoirs en bois ou autres matériaux faciles à percer. Si vous avez des solides comptoirs de surface, passer à l'étape 13.

Si un isolant recouvre la zone à l'étape 12a, le replier avant de procéder.

Placer les pattes de fixation (D) tel qu'illustré. Veuillez prendre note de la position de la patte de fixation dans l'illustration 12b.

À l'aide de pinces, plier les rebords vers le bas tel qu'illustré à 12c de façon à ce que les pattes ne puissent pas sortir des fentes.

13



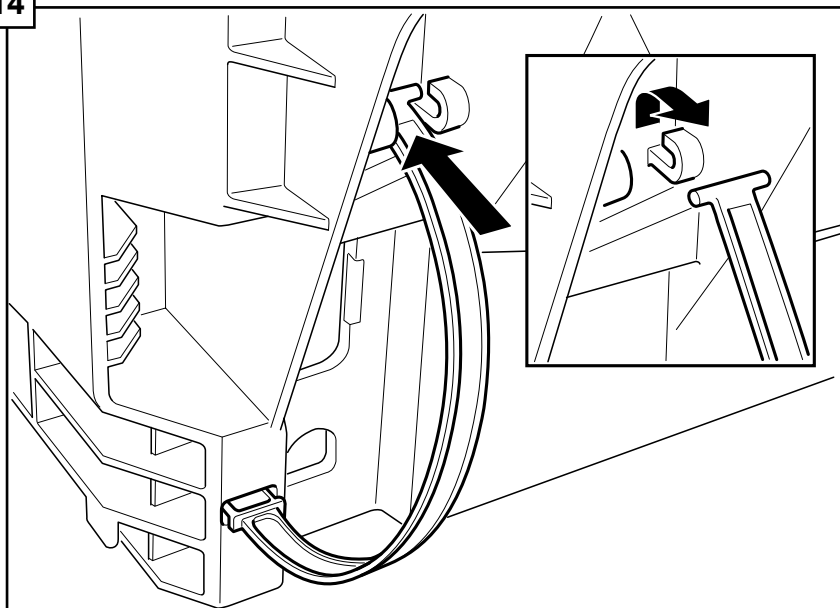
**La méthode de fixation latérale est utilisée pour les comptoirs en marbre, granite ou autres matériaux très durs qui sont difficiles à percer.**

**Prendre chaque patte de fixation (D) avec des pinces au niveau de la perforation et les plier jusqu'à ce que l'embout arrondi se casse. Jeter l'embout.**

**Glisser les rebords des pattes dans les fentes latérales de l'armature tel qu'illustré. À l'aide de pinces, plier les rebords de façon à ce que les pattes ne puissent pas sortir des fentes. Ne pas fixer immédiatement à l'armoire.**

## Positionner le lave-vaisselle

14



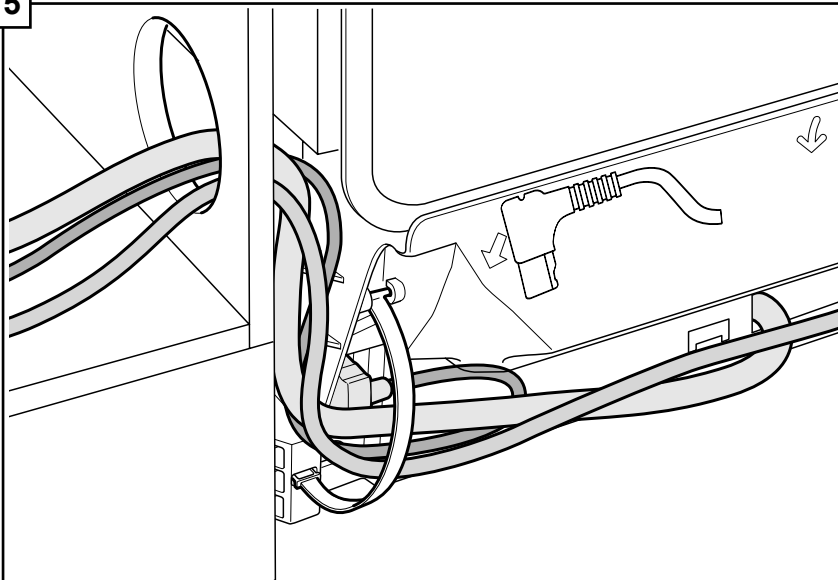
**Si votre évier se trouve à la droite** de l'endroit où vous installez le lave-vaisselle, vous devrez repositionner les tuyaux derrière le lave-vaisselle avant l'installation.

**Pour y parvenir, vous pouvez décrocher** l'attache des tuyaux à l'arrière du lave-vaisselle et les repositionner en fonction de vos besoins.

**Si votre évier se trouve à gauche,** vous pouvez laisser les tuyaux en place.



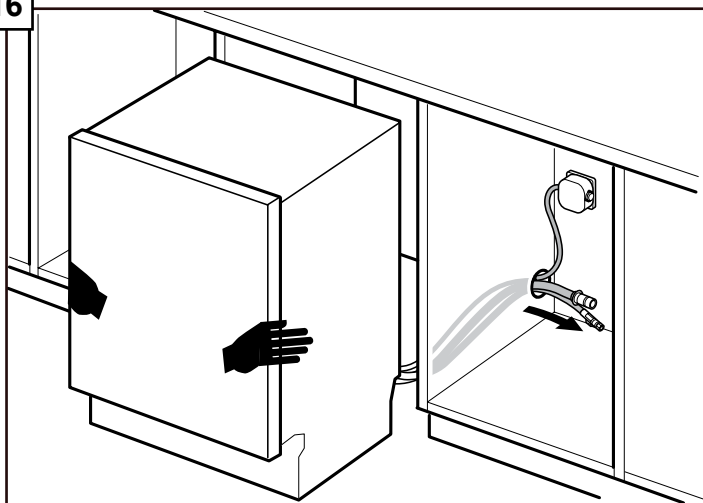
15



Repositionner les tuyaux pour qu'ils passent par l'attache et de l'autre côté.

S'assurer de remettre l'attache en place pour bien fixer les tuyaux en place tel qu'illustré.

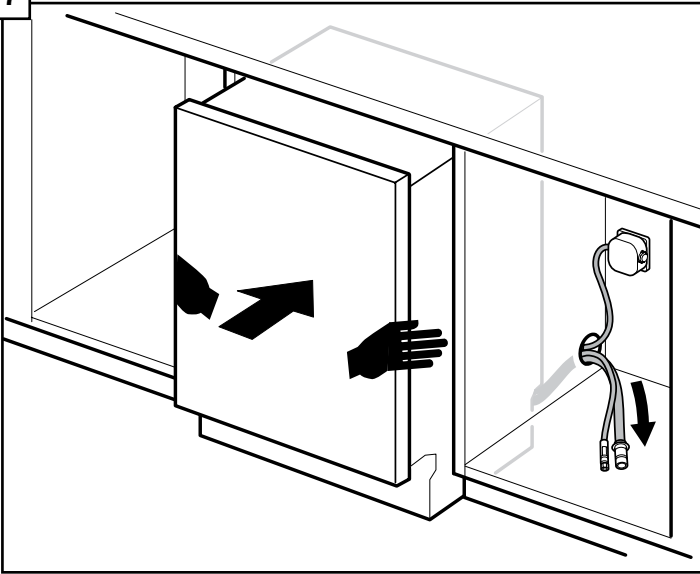
16



Protéger la surface du sol pour éviter les rayures et faire glisser le lave-vaisselle à l'intérieur de l'armoire avec prudence. Utiliser les mains sur les deux côtés du lave-vaisselle pour pousser l'appareil de façon égale.

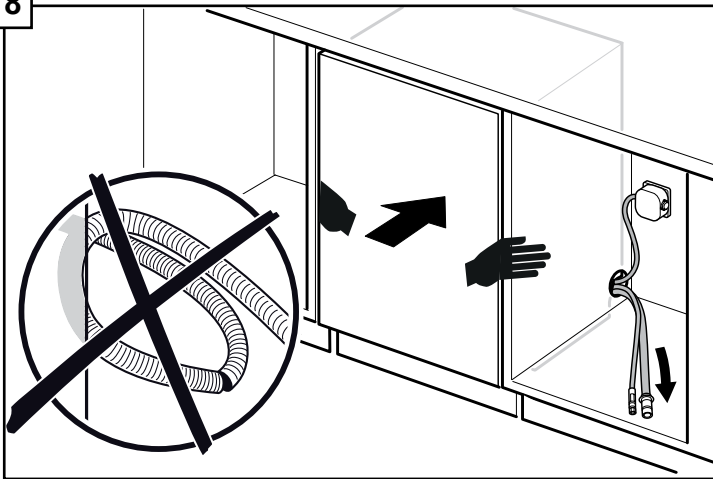
Tirer les tuyaux d'alimentation et d'évacuation de l'eau par le trou dans l'armoire tel qu'illustré.

17



Pousser l'appareil aux 2/3 de sa position finale dans l'ouverture avant d'arrêter.

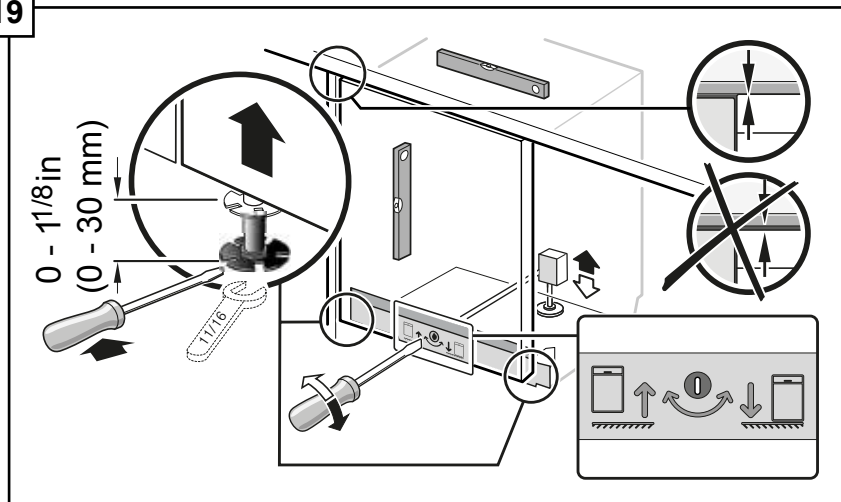
18



Accéder à l'armoire adjacente et tirer les tuyaux et toute longueur excédentaire du cordon d'alimentation pour éviter les nœuds.

Pousser l'appareil jusqu'à ce qu'il soit au niveau avec la porte de l'armoire.

19



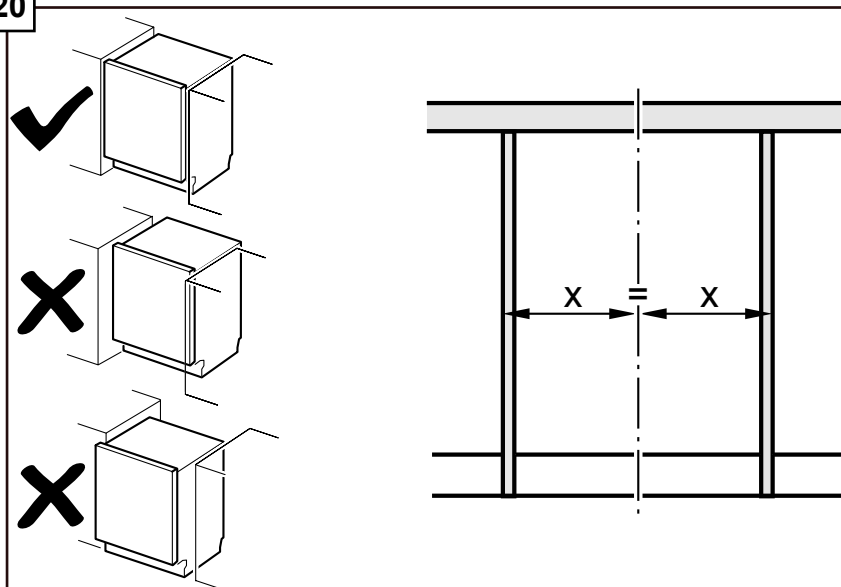
**Ajuster les pattes tel qu'illustré** pour soulever l'appareil et le mettre à niveau avec le comptoir.

**Utiliser un niveau pour vérifier** que le lave-vaisselle est bien au niveau.

**Mettre le lave-vaisselle à niveau des deux côtés** en tournant les pieds dans le sens des aiguilles d'une montre pour soulever l'avant de l'appareil ou en sens inverse des aiguilles d'une montre pour l'abaisser.

**Mettre le devant et l'arrière** du lave-vaisselle à niveau en tournant la vis centrale pour soulever ou abaisser l'arrière de l'appareil.

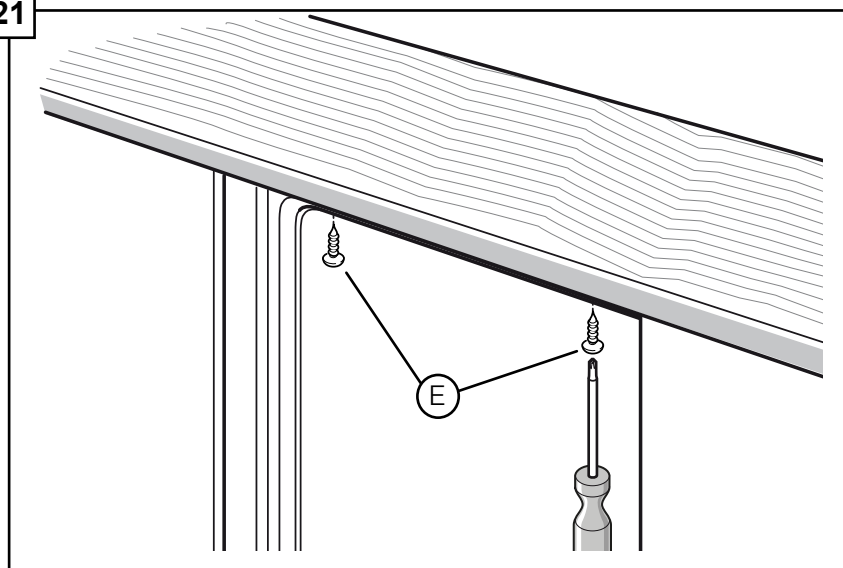
20



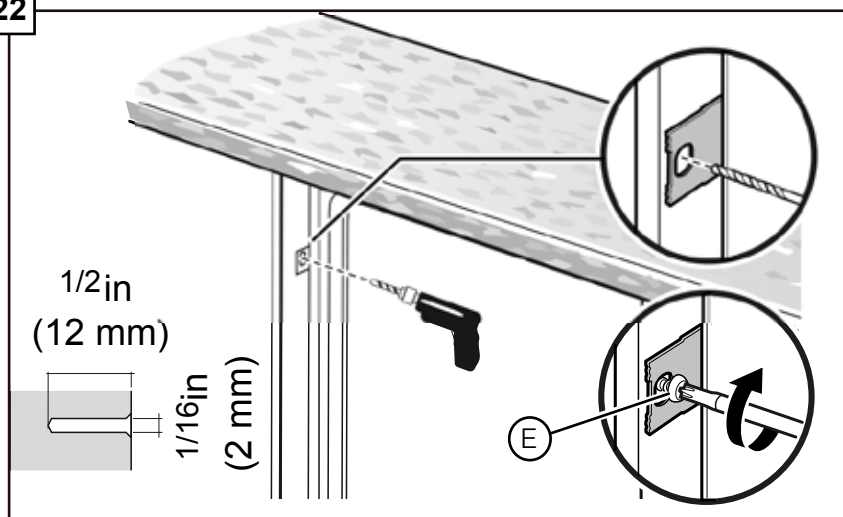
**Centrer le lave-vaisselle dans** l'ouverture avant de le fixer à l'armoire ou au comptoir de cuisine tel qu'illustré.

## Sécuriser le lave-vaisselle

21



22



**Insérer les vis de fixation (E) dans les trous des pattes de fixation tel qu'illustré pour l'installation avec fixation supérieure (21) ou latérale (22).**

## Raccordements d'arrivée d'eau

### **AVERTISSEMENT**

**Évitez les brûlures ou les risques de secousse électrique ! Ne pas tenter de travailler sur une conduite d'eau chaude chargée. De graves blessures pourraient survenir. Seuls les plombiers qualifiés doivent effectuer des travaux sur la tuyauterie. Ne tentez pas d'intervenir sur la tuyauterie d'alimentation d'eau chaude du lave-vaisselle tant que vous n'êtes pas certain que l'alimentation d'eau chaude est coupée.**

### **AVIS**

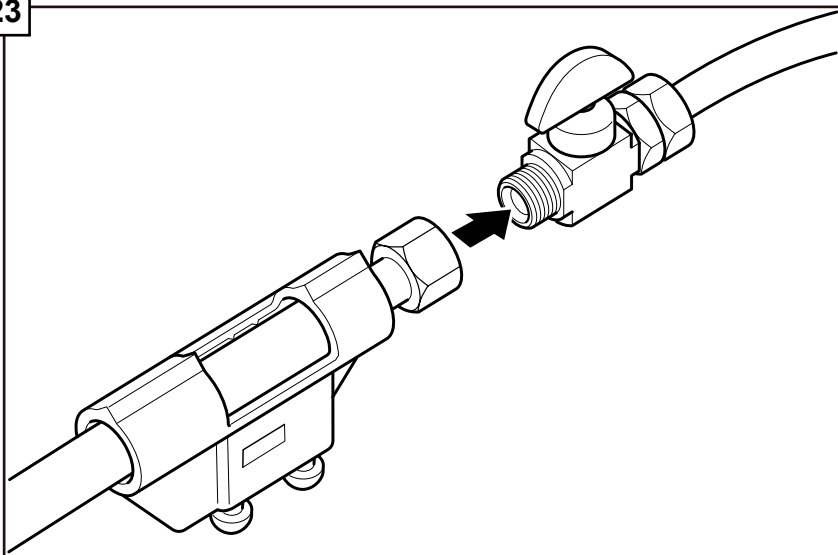
**Les températures nécessaires pour souder et exsuder peuvent endommager le lave-vaisselle. Si la tuyauterie a besoin d'une soudure ou d'une exsudation, maintenir la source de chaleur à 6 pouces (152,4 mm) minimum de distance du lave-vaisselle.**

### **Alimentation d'eau chaude**

Le chauffe-eau doit être réglé de façon à ce que l'eau qui alimente le lave-vaisselle soit chauffée à une température approximative de 120° F (49° C). Si la température de l'eau est trop élevée, elle diminue l'efficacité du détergent. Si la température de l'eau est trop basse, la durée de lavage sera plus longue. La pression d'alimentation d'eau chaude doit être comprise entre 15 et 145 psi (1 et 10 bars).

#### **REMARQUE :**

- En cas d'utilisation d'un joint de soudure au lieu d'un raccord à compression, s'assurer que toutes les soudures sont faites avant de brancher le tuyau d'alimentation d'eau sur le lave-vaisselle.
- S'assurer que la conduite d'eau n'est ni pliée ni tordue afin d'éviter toute obstruction de l'écoulement de l'eau.
- Toujours utiliser les joints appropriés pour effectuer les raccordements sanitaires.
- Avant de brancher le tuyau d'alimentation d'eau sur le lave-vaisselle, faire couler l'eau de la conduite d'arrivée pendant environ 5 minutes pour éliminer les corps étrangers.
- Une fois les raccordements terminés, ouvrir l'alimentation d'eau et vérifier s'il y a des fuites.



**Brancher la conduite d'alimentation en eau du lave-vaisselle à la soupape d'arrêt d'eau.**

**Vous devez utiliser un conduit d'eau pour lave-vaisselle homologué avec les raccords adéquats pour effectuer ce branchement. Toujours utiliser les joints appropriés pour effectuer les raccordements de tuyauterie.**

**Une fois tous les raccordements effectués, ouvrir l'alimentation en eau chaude et vérifier s'il y a des fuites.**

## Raccordements d'évacuation

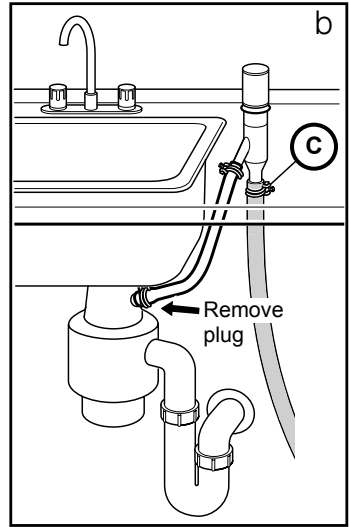
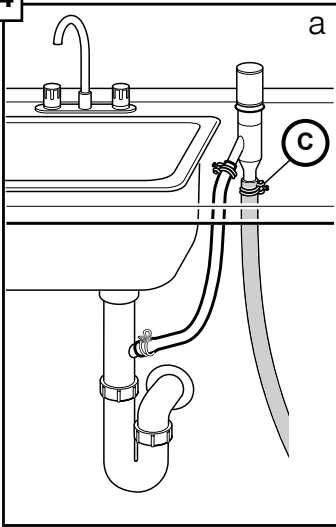
### REMARQUE :

- Si la réglementation locale exige un dispositif de coupure anti-retour, en installer un conformément aux instructions du fabricant.
- Si le tuyau de vidange du lave-vaisselle doit être branché sur le raccordement de vidange de lave-vaisselle d'un broyeur à déchets, retirer le bouchon du raccordement de vidange de lave-vaisselle du broyeur.
- Le tuyau de vidange du lave-vaisselle doit être solidement fixé en un point sur sa longueur à 20 pouces au-dessus du plancher de l'armoire.
- La longueur du tuyau de vidange peut être augmentée si nécessaire. La longueur maximale du tuyau de vidange, y compris le flexible relié au dispositif de coupure anti-retour, est de 150 pouces.

**Le tuyau d'évacuation du lave-vaisselle doit être installé de façon à ce qu'une partie du tuyau soit à un minimum de 508 mm (20 po) au-dessus du plancher de l'armoire; autrement, le lave-vaisselle risque de ne pas se vider correctement.**

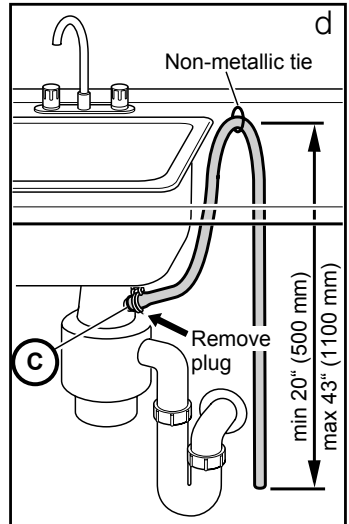
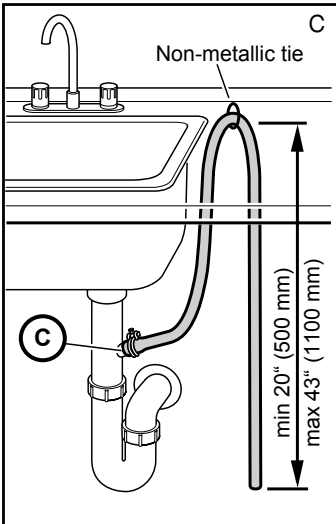
**REMARQUE : Placer la bride du tuyau autour de l'extrémité du tuyau d'évacuation AVANT de le brancher à la tuyauterie.**

24



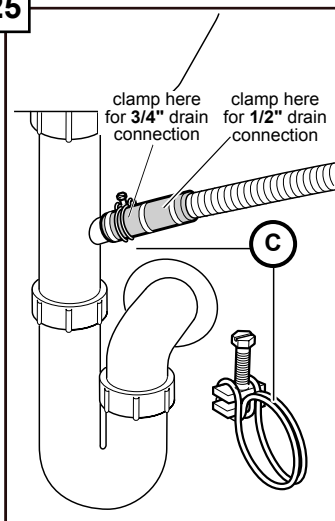
Le tuyau d'évacuation du lave-vaisselle peut être branché sur la tuyauterie d'évacuation à l'aide d'un entrefer de l'une des deux manières suivantes :

- En le branchant au raccord d'évacuation de lave-vaisselle sous l'évier (24a).
- En le branchant au raccord d'évacuation de lave-vaisselle d'un broyeur (24b).



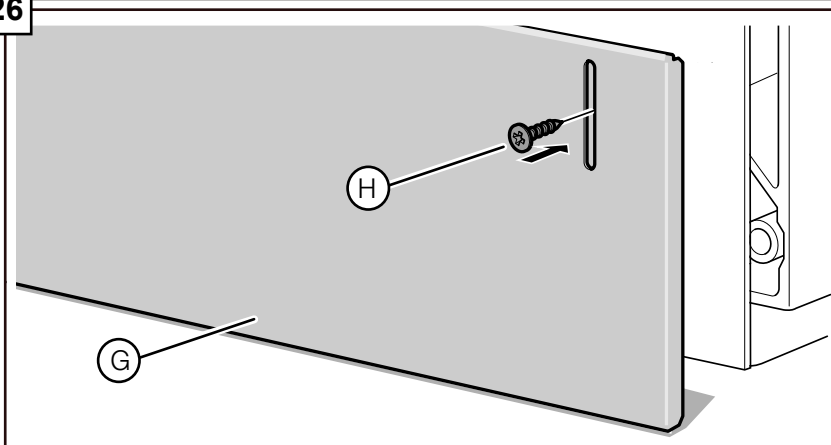
Le tuyau d'évacuation du lave-vaisselle peut être branché sur la tuyauterie d'évacuation à l'aide d'une boucle surélevée de l'une des deux manières suivantes :

- En le branchant au raccord d'évacuation de lave-vaisselle sous l'évier (24c).
- En le branchant au raccord d'évacuation de lave-vaisselle d'un broyeur (24d).

**25**

**Utiliser la bride fournie (C) pour fixer l'adaptateur de tuyau d'évacuation à la tuyauterie résidentielle tel qu'illustré.**

### Fixation du panneau de pointe

**26**

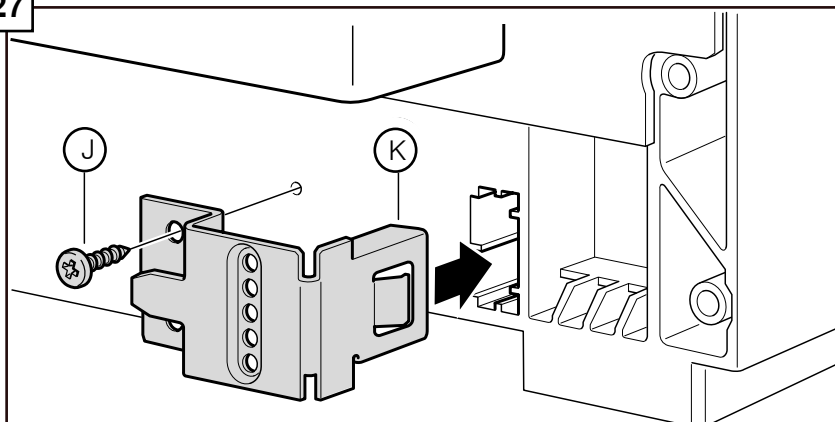
**Si votre lave-vaisselle comprend un panneau de plinthe à fentes (G), suivre les instructions suivantes; sinon passer à l'étape 27.**

**Remarque :** *Si vous utilisez le panneau de plinthe fendue montré en 26 ci-dessus, entre parenthèses, puis en métal de montage montrant en 27 n'est pas nécessaire.*

**Placer le panneau de plinthe à fentes (G) sur le lave-vaisselle. Le laisser reposer sur le sol.**

**Fixer à l'aide des vis (H) tel qu'illustré. Utiliser seulement les vis fournies afin d'éviter d'endommager le lave-vaisselle. Le panneau de plinthe devrait maintenant être au niveau par rapport au plancher. L'installation est maintenant terminée!**

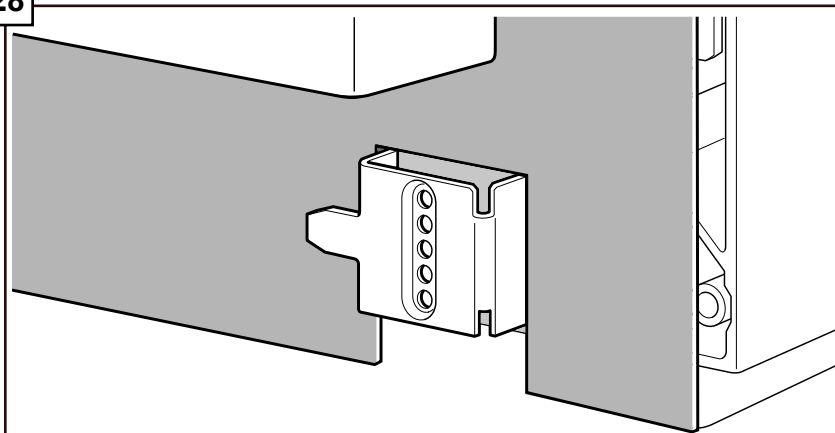


**27**

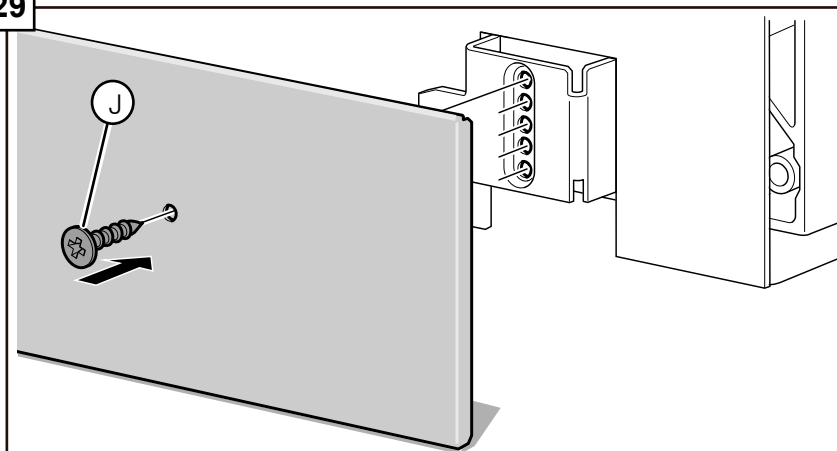
**Si votre lave-vaisselle comprend un panneau de plinthe sans fente (I) et des pattes de fixation de panneau de plinthe (K), suivre les instructions suivantes :**

**Placer les pattes de fixation métalliques (K) dans les ouvertures des deux côtés de la base tel qu'illustré.**

**Utiliser la vis (J) pour fixer les pattes de fixation métalliques à la base tel qu'illustré.**

**28**

**Placer le tablier en caoutchouc préinstallé derrière les crochets des pattes de fixation métalliques tel qu'illustré.**

**29**

**Glisser le panneau de plinthe métallique** en position en vous assurant que le bas du panneau est au niveau par rapport au sol. Utiliser la vis (J) pour fixer le panneau de plinthe par le trou pour qu'il soit aligné avec les pattes de fixation métalliques (K) tel qu'illustré.

*Remarque : La hauteur du panneau de plinthe peut être ajustée en le visant dans un trou différent de la patte de fixation.*

**Vérifier que le tablier est installé** convenablement en ouvrant la porte. S'assurer que le tablier ne s'entremêle pas et qu'il peut bouger librement vers le haut et le bas derrière le panneau de plinthe. L'installation est maintenant terminée!

## Service après-vente

Votre lave-vaisselle ne nécessite aucun entretien particulier autre que celui décrit dans la section « Nettoyage et entretien » du Guide d'Utilisation et d'Entretien. Si vous avez des problèmes avec votre lave-vaisselle, avant d'appeler un service d'entretien et de réparation, consultez la section d'auto-assistance de votre guide. Si un dépannage s'avère nécessaire, communiquez avec votre marchand ou avec l'installateur ou adressez-vous à un centre de service agréé.

Ne pas tenter d'effectuer soi-même une réparation sur l'appareil. Toute réparation effectuée par du personnel non agréé peut entraîner l'annulation de la garantie. Si vous avez un problème avec votre lave-vaisselle et n'êtes pas satisfait de la prestation de service qui vous a été offerte, veuillez effectuer les étapes suivantes (dans l'ordre indiqué ci-après) jusqu'à ce que le problème soit résolu à votre entière satisfaction :

1. Communiquez avec votre installateur ou avec le prestataire de service agréé de votre localité.
2. Écrivez-nous à l'adresse ci-dessous :  
BSH Home Appliances Corporation  
1901 Main Street  
Irvine, CA 92614
3. Appelez le service après-vente au numéro fourni : 1-800-944-2904

Assurez-vous d'inclure (si vous écrivez) ou d'avoir à votre disposition (si vous téléphonez) les informations suivantes :

- Le numéro de modèle (SH\_\_\_\_\_UC)
- Le numéro de série (FD\_\_\_\_\_)
- La date d'achat d'origine (mm/dd/yyyy)
- La date à laquelle le problème s'est produit (mm/dd/yyyy)
- Une explication du problème
- Le numéro de téléphone où vous pouvez être joint dans la journée.

Veuillez faire une copie de votre facture et la conserver avec ce guide. Le client doit fournir une preuve d'achat pour bénéficier du service de garantie.









## **Instrucciones de seguridad importantes:**

### **Por favor lea y guarde esta información**

Para evitar posibles lesiones o daños materiales, RESPETE TODAS LAS ADVERTENCIAS Y PRECAUCIONES. Estas instrucciones están diseñadas para ser usadas únicamente por instaladores calificados. La lavadora de platos debe ser instalada por un técnico de servicio técnico o instalador calificado.

- Además de estas instrucciones, la lavadora de platos debe instalarse de conformidad con todos los códigos y las ordenanzas de electricidad y de plomería (nacionales y locales).

**Lea estas instrucciones de instalación completamente y sígalas con cuidado.** Le ahorrarán tiempo y esfuerzo, y le ayudarán a asegurarse de que el rendimiento de la lavadora de platos sea óptimo y seguro.

### **IMPORTANTE**

- La manguera de drenaje de la lavadora de platos debe instalarse manteniendo una parte de esta, al menos, a una distancia de 20" (508 mm) del piso del gabinete; de lo contrario, es posible que la lavadora de platos no drene correctamente.
- Esta lavadora de platos ha sido diseñada para uso residencial en interiores únicamente y no debe usarse en establecimientos comerciales de servicios de comidas.
- Este lavavajillas está diseñado para ser cerrado en la parte superior y ambos lados por los gabinetes.
- **NUEVA INSTALACIÓN:** si la lavadora de platos es una instalación nueva, la mayoría del trabajo debe realizarse antes de que la lavadora de platos sea colocada en su lugar.
- **REEMPLAZO:** si la lavadora de platos reemplaza a otra lavadora de platos, verifique las conexiones de la lavadora de platos existente para ver la compatibilidad con la nueva lavadora de platos y reemplace las piezas según sea necesario.
- Este electrodoméstico cumple con la norma CAN/CSA-C22.2 n.º 167/UL 749. Es responsabilidad del propietario y del instalador determinar si se aplican otros requisitos y normas en instalaciones específicas.
- Esta unidad no está destinada para uso en exteriores.

### **Inspeccione la lavadora de platos**

Después de desembalar la lavadora de platos y antes de la instalación, inspeccione exhaustivamente la unidad para detectar posibles daños estéticos u ocasionados por el transporte. Reporte de inmediato cualquier daño. Los defectos estéticos deben reportarse en un período de 30 días después de la instalación.

*NOTA: No deseche ninguna bolsa ni artículo suministrado con el paquete original hasta que se haya completado toda la instalación.*



## ADVERTENCIA

### Cómo evitar peligros generales



Use la lavadora de platos únicamente cuando esté completamente instalada. Al abrir la puerta de una lavadora de platos que no está instalada, abra la puerta con cuidado mientras sostiene la parte posterior de la unidad. No seguir esta advertencia puede provocar que la lavadora de platos se caiga, lo que ocasiona lesiones graves.

Antes de instalar los soportes de montaje en “L” para la encimera suministrados con la unidad (solo en algunos modelos), decida qué método se usará para asegurar la lavadora de platos en su abertura. Una vez que estos soportes de montaje están instalados en la lavadora de platos, es difícil retirarlos, y esto daña los soportes de montaje y la lavadora de platos.

En algunas condiciones, se puede formar gas hidrógeno en un sistema de agua caliente que no se ha utilizado durante semanas. El gas hidrógeno es explosivo.

Antes de llenar una lavadora de platos con un sistema que ha estado apagado durante semanas, deje correr agua de un grifo cercano en un área bien ventilada hasta que no haya sonido ni evidencia de gas.

Retirar cualquier cubierta o jalar la lavadora de platos del gabinete puede hacer que queden expuestas las conexiones de agua caliente, la alimentación eléctrica, y puntas o bordes filosos. Manipule la unidad con cuidado.

### Cómo evitar peligros de descarga eléctrica/incendio



No permita que las líneas de electricidad ni las tuberías de suministro de agua entren en contacto. Se suministran canales separados debajo de la lavadora de platos.

No trabaje en un circuito energizado. Hacerlo podría ocasionar lesiones graves o la muerte. Únicamente los electricistas calificados pueden realizar la instalación eléctrica. No intente realizar ningún trabajo en el circuito de suministro eléctrico de la lavadora de platos hasta que esté seguro de que el circuito se encuentra desenergizado.



Asegúrese de que la instalación eléctrica se haya realizado correctamente. No debe haber conexiones eléctricas sueltas. Asegúrese de que todas las conexiones eléctricas se hayan realizado correctamente.

El cliente tiene la responsabilidad de asegurarse de que la instalación eléctrica de la lavadora de platos cumpla con todos los códigos y las ordenanzas de electricidad nacionales y locales. La lavadora de platos está diseñada para un suministro eléctrico de CA de 120 V, 60 Hz, conectado a un circuito eléctrico con una conexión a tierra adecuada, exclusivo para la lavadora de platos, con un fusible o disyuntor con capacidad nominal para 15 A. Los conductores del suministro eléctrico deben ser de alambre, únicamente de cobre, con un calibre de alambre estadounidense (American Wire Gauge, AWG) n.º 14 como mínimo, con capacidad nominal para uso en temperaturas de 75 °C (167 °F) o más altas.

Este electrodoméstico debe conectarse a un sistema de cableado metálico y permanente, con conexión a tierra, o debe instalarse un conductor de conexión a tierra para equipos junto con los conductores de circuitos y conectarlo al terminal de conexión a tierra para equipos o al hilo de conexión a tierra del electrodoméstico. No use cables de extensión.

### **Cómo evitar peligros en las tuberías y peligros de escaldadura**



No realice ningún trabajo en una tubería de agua caliente que tenga carga. Podría ocasionar lesiones graves. Únicamente los plomeros calificados pueden realizar trabajos de plomería. No intente realizar ningún tipo de trabajo en las tuberías de suministro de agua caliente de la lavadora de platos hasta que esté seguro de que el suministro de agua caliente está cerrado.

No apriete en exceso el codo de 90°. Hacerlo puede dañar la válvula de entrada de agua y provocar una pérdida de agua.

Las temperaturas requeridas para soldar y fundir dañan la válvula de entrada de agua de la lavadora de platos. Si se van a soldar o fundir las tuberías para plomería, mantenga la fuente de calor, al menos, a 6" (152.4 mm) de distancia de la válvula de entrada de agua de la lavadora de platos.

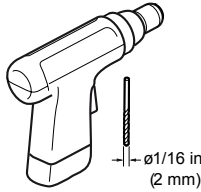
Consulte los códigos de plomería locales para conocer los procedimientos y los accesorios de plomería aprobados. Todos los trabajos de plomería deben realizarse según los códigos nacionales y locales.

Estas instrucciones describen un método de instalación para mangueras trenzadas de acero inoxidable o tuberías de suministro de agua caliente de polietileno reticulado (Cross-linked polyethylene, PEX). Si usa tubos de cobre o de otro material para el suministro de agua, haga que un plomero autorizado realice la instalación correspondiente.

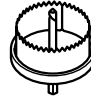
## Herramientas y materiales necesarios



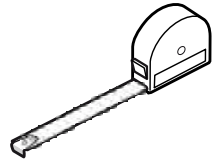
Clé ajustable



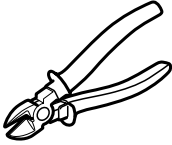
Perceuse



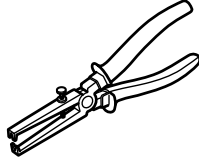
Scie cylindrique



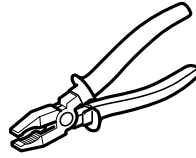
Ruban à mesurer



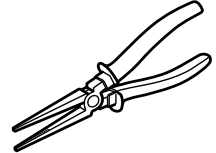
Pince coupante



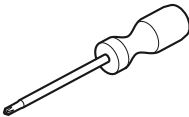
Pince à dénuder



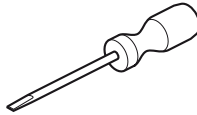
Alicates



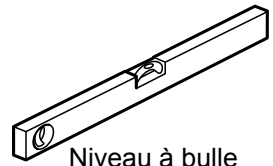
Alicates



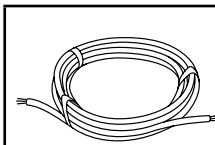
Destornillador Phillips



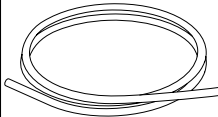
Destornillador de ranura



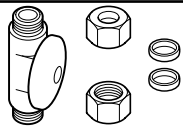
Niveau à bulle



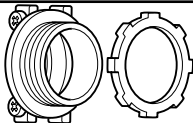
Cable de suministro eléctrico: AWG n.º 14 como mínimo, 2 conductores con 1 conexión a tierra, conductores de cobre aislados, con capacidad nominal para 75 °C o más. Únicamente se necesita si la línea eléctrica de la vivienda no es adecuada.



Línea de suministro de agua caliente: tubos de cobre con diámetro externo de 3/8 pulg., como mínimo, o línea de suministro de la lavadora de platos de metal trenzado. Únicamente necesaria si la línea de suministro de agua de la vivienda no es suficiente.



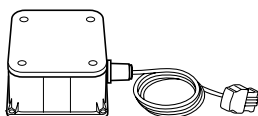
Válvula de cierre y conectores adecuados para la línea de suministro de agua caliente (tubos de cobre/conector de compresión o manguera trenzada).



Se requiere un conector de conductos o un protector para cable incluidos en el listado de UL si conecta el cableado de campo directamente al bloque de terminales.

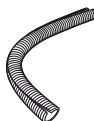
## Materiales suministrados

A



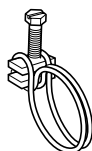
Caja de empalme

B



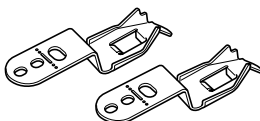
Arandela protectora de borde flexible  
para cable eléctrico

C



Abrazadera de tornillo (para mangueras)

D



Soportes de montaje

E



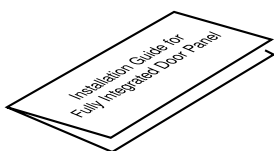
Tornillos para los soportes de montaje  
Ø 4x13mm

F



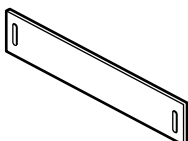
Adhesivo respaldado clip de la cuerda

## Materiales suministrados (depende del modelo)



Guía de instalación para panel de puerta completamente integrado (depende del modelo)

G



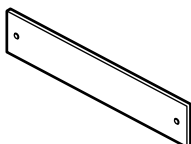
Panel de pie con ranuras (depende del modelo)

H



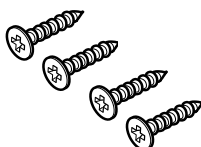
Tornillos del panel de pie con ranuras  $\varnothing$  4 x 16 mm (depende del modelo)

I



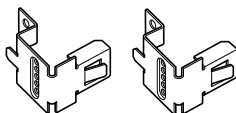
Panel de pie sin ranuras (depende del modelo)

J



Tornillos del panel de pie sin ranuras (depende del modelo): de color negro o plata, según el color del panel de pie

K



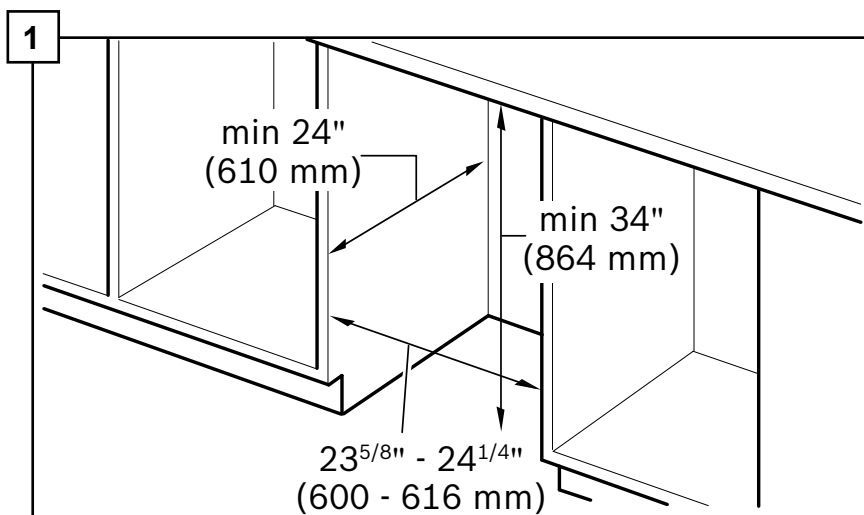
Soportes de montaje del panel de pie (Depende del modelo se utiliza con panel de pie no ranura da se muestra arriba del modelo)

## Requisitos del recinto

### **⚠ ADVERTENCIA**

**¡Evite el peligro de escaldadura o de descarga eléctrica!  
Asegúrese de que el suministro de agua y el suministro eléctrico estén cerrados antes de realizar la instalación o el servicio técnico.**

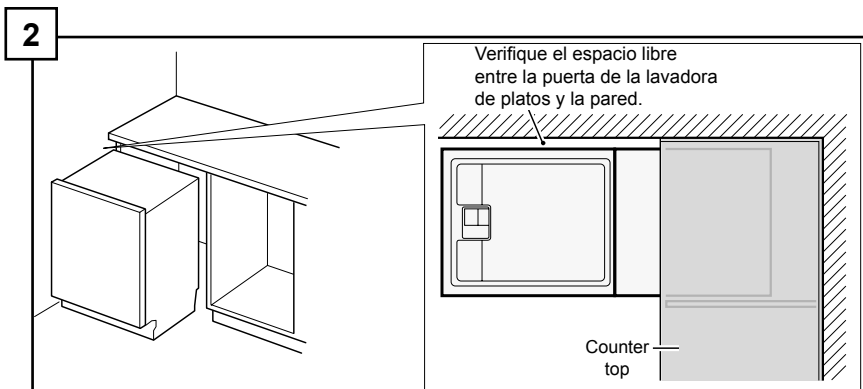
**Evite Descarga Eléctrica / Peligro de incendio!  
No permita que las líneas eléctricas y de suministro para**



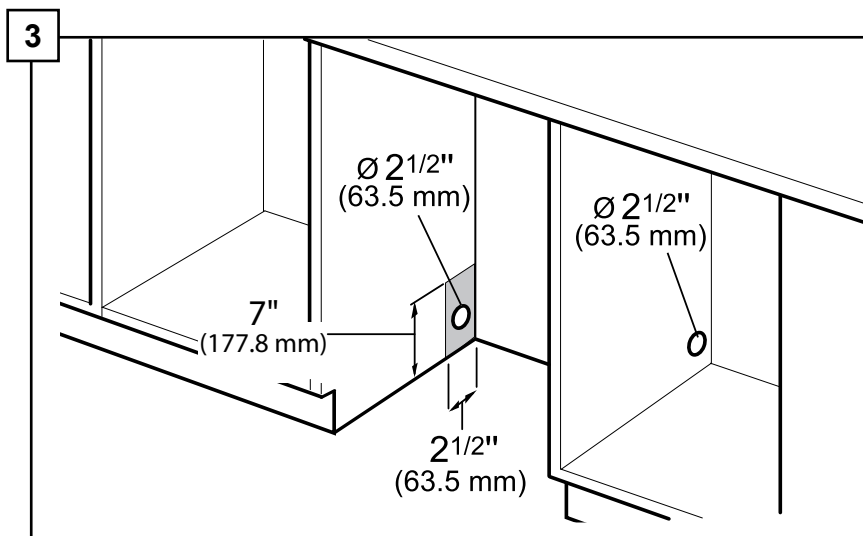
*Nota: Esta lavadora de platos ha sido diseñada para estar cercada, por la parte superior, la parte trasera y ambos lados, por el conjunto de gabinetes de una cocina residencial estándar.*

**Seleccione una ubicación** que esté lo más cerca posible del fregadero para tener un fácil acceso a las líneas de suministro de agua y de drenaje.

**Para lograr el funcionamiento** y el aspecto apropiados de la lavadora de platos, asegúrese de que el cerramiento sea cuadrado y de que tenga las dimensiones que se muestran.

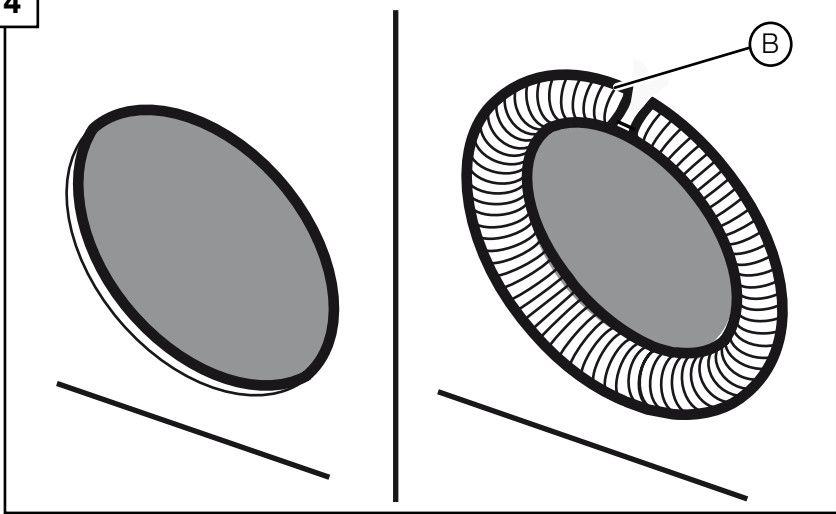


**Si lavadora de platos se instalará en una esquina, asegúrese de que haya un espacio libre adecuado para abrir la puerta, como se muestra.**



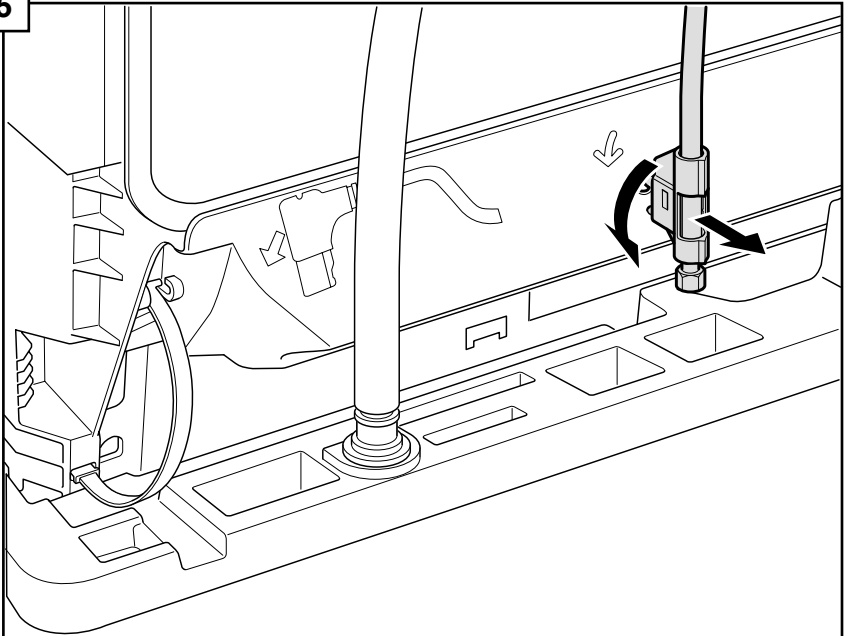
**Una vez que elija el lugar apropiado para su lavadora de platos, haga las aberturas necesarias en sus gabinetes para permitir el paso de las líneas de agua, drenaje y eléctricas del lado apropiado. Los orificios deben cortarse dentro del área de 4 x 2 pulg. que se muestra.**

4



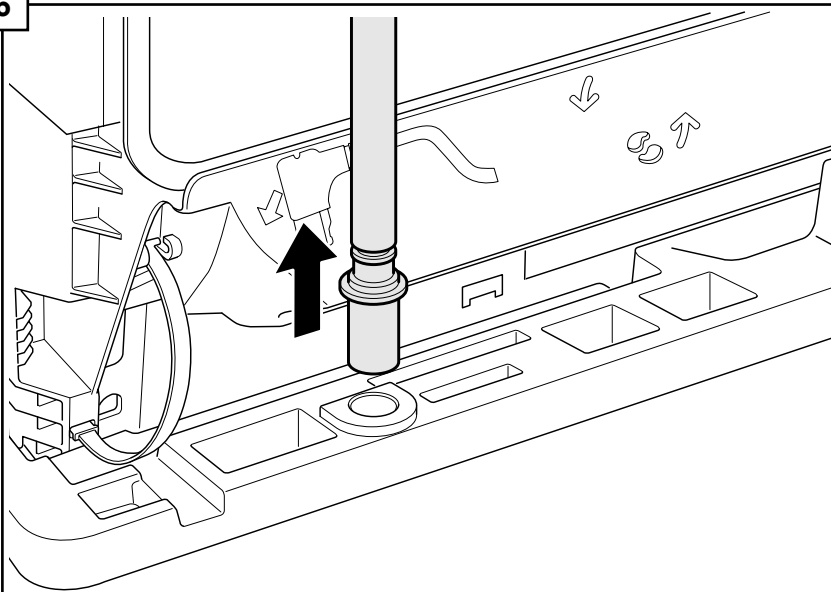
**Si la abertura se realiza atravesando madera,** lijela hasta que quede lisa. Si la abertura se realiza atravesando metal, utilice el protector de bordes (B) que se proporciona u otro método aprobado para proteger el cableado contra daños.

5



**Gire el extremo de la línea de suministro** de agua para separarla de la base de la lavadora de platos, como se muestra.

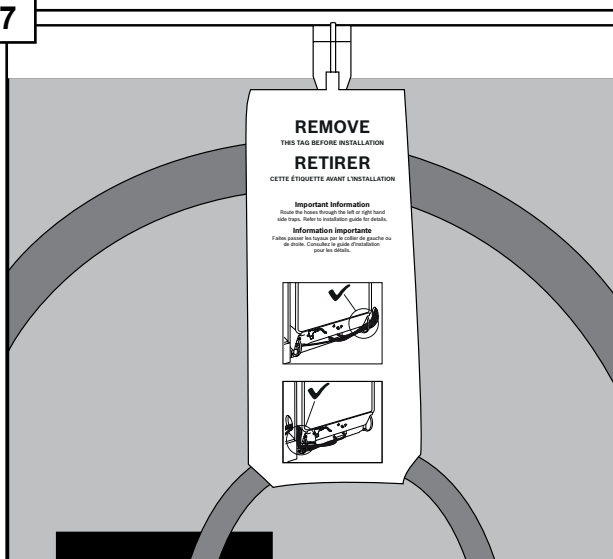
6



**Jale de la manguera de drenaje** para sacarla de la base de embalaje, como se muestra.

**Aparte el panel de pie** para su uso posterior.

7



**Retire el sujetador de la manguera** que se encuentra en la parte trasera de la lavadora de platos, como se muestra.



## Preparación eléctrica

### **ADVERTENCIA**

¡Evite el peligro de escaldadura o de descarga eléctrica! No trabaje en un circuito energizado. Hacerlo podría ocasionar lesiones graves o la muerte. Únicamente los electricistas calificados pueden realizar trabajos de electricidad. No intente realizar ningún trabajo en el circuito de suministro eléctrico de la lavadora de platos hasta que esté seguro de que el circuito se encuentre desenergizado.

**Evite el peligro de descarga eléctrica/incendio**  
**Asegúrese de que la instalación eléctrica se haya realizado correctamente. Únicamente los electricistas calificados pueden realizar trabajos de electricidad.**

**Evite el peligro de descarga eléctrica/incendio**  
**Asegúrese de que no haya conexiones eléctricas sueltas. Asegúrese de que todas las conexiones eléctricas se hayan realizado correctamente.**

### Suministro eléctrico

El cliente tiene la responsabilidad de asegurarse de que la instalación eléctrica de la lavadora de platos cumpla con todos los códigos y las ordenanzas de electricidad nacionales y locales. La lavadora de platos está diseñada para un suministro eléctrico de CA de 120 V, 60 Hz, conectado a un circuito eléctrico con una conexión a tierra adecuada, exclusivo para la lavadora de platos, con un fusible o disyuntor con capacidad nominal para 15 A. Los conductores del suministro eléctrico deben ser de alambre de cobre, con AWG n.º 14 como mínimo, con capacidad nominal para uso en temperaturas de 75 °C (167 °F) o más altas.

#### Capacidad nominal eléctrica de la lavadora de platos

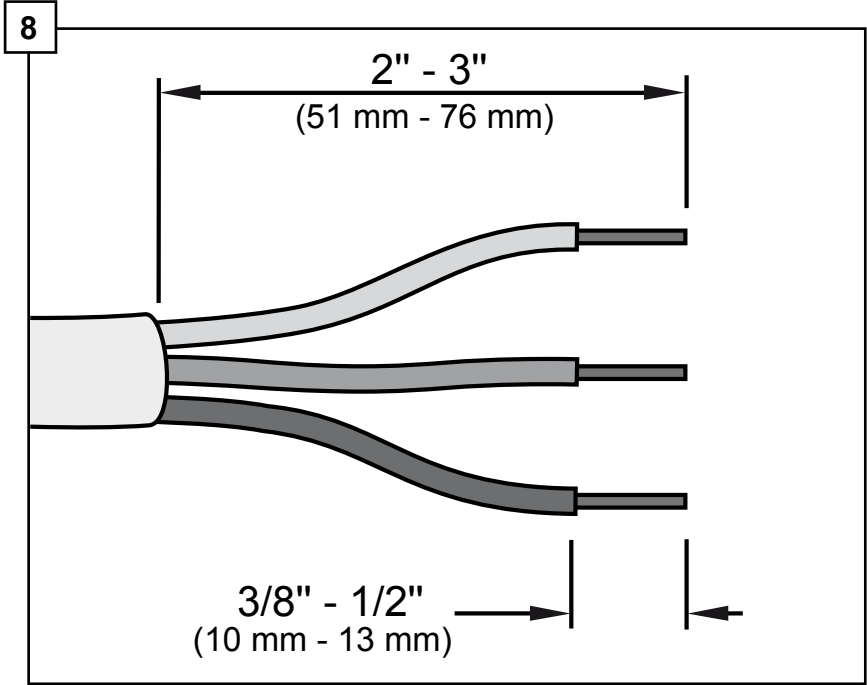
Volts	Hertz	Amperes	Watts
120	60	12	1,440 (max)

#### Instrucciones para la conexión a tierra

La lavadora de platos debe tener una conexión a tierra adecuada antes de operarla. Este electrodoméstico debe conectarse a un sistema de cableado metálico y permanente, con conexión a tierra, o se debe instalar un conductor de conexión a tierra para equipos junto con los conductores de circuitos y conectarlo al terminal de conexión a tierra para equipos o al hilo de conexión a tierra de la lavadora de platos. Asegúrese de que la lavadora de platos tenga una conexión a tierra adecuada, de conformidad con todos los códigos locales o, en el caso de que no haya un código local, con el CÓDIGO NACIONAL ELÉCTRICO (National Electrical Code) en los Estados Unidos o la última versión del CÓDIGO ELÉCTRICO CANADIENSE (Canadian Electrical Code) C22.1 en Canadá, así como con todos los códigos provinciales/estatales o municipales o locales.

**Nota: Instalaciones que utilizan un receptáculo**

No se proporciona el kit auxiliar de cables (Modelo n.º SMZPC002UC) diseñado para la conexión a un receptáculo, pero puede pedirse a través de Servicio al cliente, llamando al 1-800-944-2904. Asegúrese de que el receptáculo doméstico cumpla con los requisitos de suministro eléctrico, así como con los códigos nacionales y locales. Si usted opta por conectar la lavadora de platos en forma permanente a la conexión alámbrica, siga los siguientes pasos.

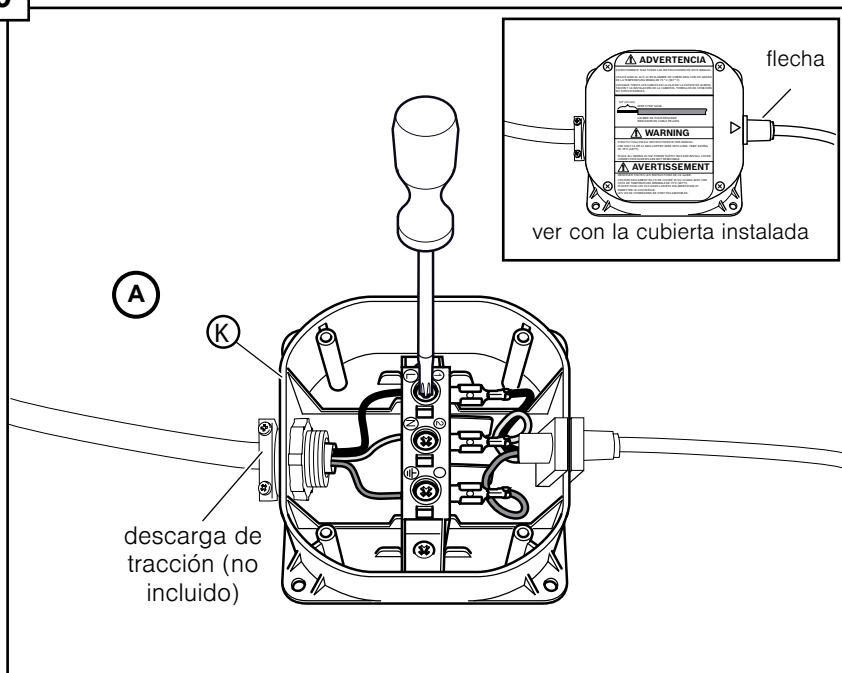


**Corte toda la electricidad al área de instalación.**

**Retire los tornillos** y la cubierta de la caja de empalme (A) y apártelos para utilizarlos después.

**Retire el revestimiento externo y el aislamiento** de la conexión alámbrica/ del cable de alimentación, como se muestra.

9



**Conecte el protector para cable (no se proporciona) al lado opuesto de la caja de empalme.**

**Introduzca el cable desnudo de cobre o verde (de conexión a tierra) del cableado de suministro de campo en la conexión a tierra del bloque de terminales y ajuste firmemente el tornillo del bloque de terminales, como se muestra.**

**Introduzca el cable blanco (neutro) en la conexión "N" del bloque de terminales y ajuste firmemente el tornillo del bloque de terminales.**

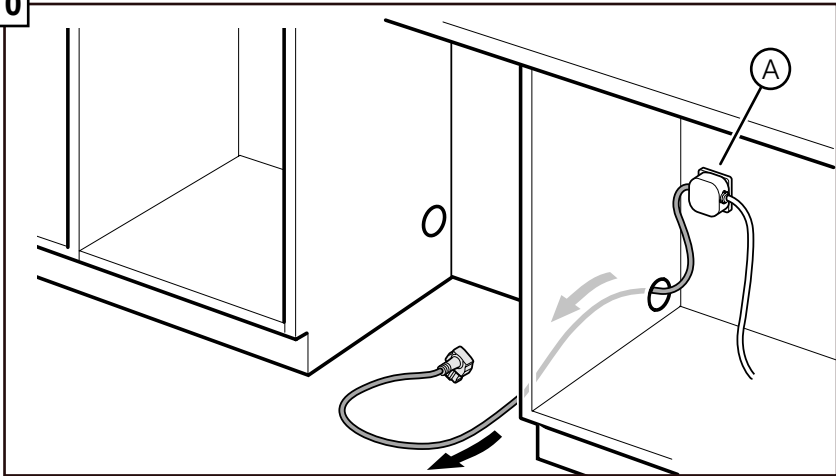
**Introduzca el cable negro (vivo) en la conexión "L" del bloque de terminales y ajuste firmemente el tornillo del bloque de terminales.**

**Ajuste el protector para cable.**

**Revise las conexiones eléctricas** para asegurarse de que son seguros y la vuelva a colocar cubierta de la caja de conexiones.

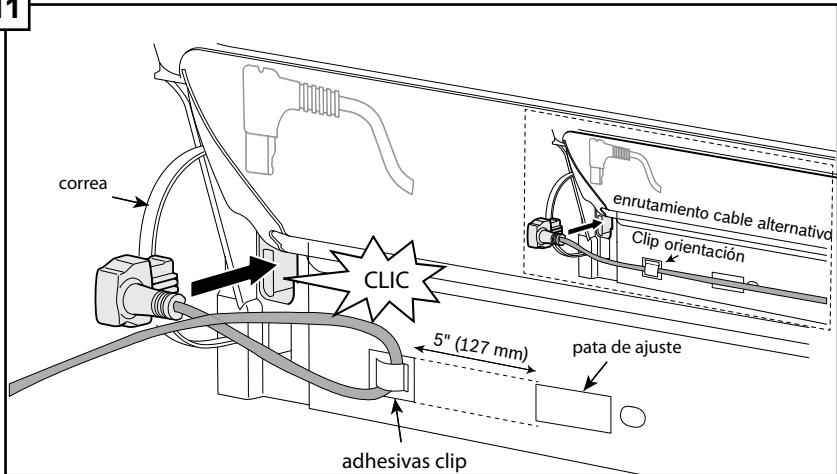
*Nota: La flecha (que se muestra en la figura anterior) debe alinearse con el cable de alimentación.*

10



**Cable de alimentación** a través de la Ruta y la abertura del gabinete lavavajillas.

11



**Coloque el soporte del cordón adhesivo** (incluida en el kit de instalación) 5" (127 mm) de ajuste de las patas como se muestra en la figura de arriba y el de alimentación a través de la ruta de clip.

*Nota: La longitud del cable de medida desde la parte trasera de plástico correa para el recipiente debe ser  $\leq 47,25"$  (1200 mm).*

**Cable de alimentación a través de la Ruta de la correa y enchufe el extremo del cable** de suministro en la parte trasera de la lavadora de platos hasta que haga clic, como se muestra.

*Nota: Asegurar enchufe esté completamente asentada.*

**Monte la caja de empalme del suministro eléctrico (A)** de la lavadora de platos y el receptáculo exclusivo en un gabinete accesible adyacente a la lavadora de platos (no monte la caja de empalme ni el receptáculo detrás de la lavadora de platos).

*Nota: No se proporcionan los tornillos para el montaje de la caja de empalme del suministro eléctrico.*

### AVISO

Antes de instalar los soportes de montaje para la encimera suministrados, decida qué método utilizará para asegurar la lavadora de platos al cerramiento. Una vez que los soportes de montaje están instalados en la lavadora de platos, es difícil retirarlos, y esto daña los soportes de montaje y la lavadora de platos.

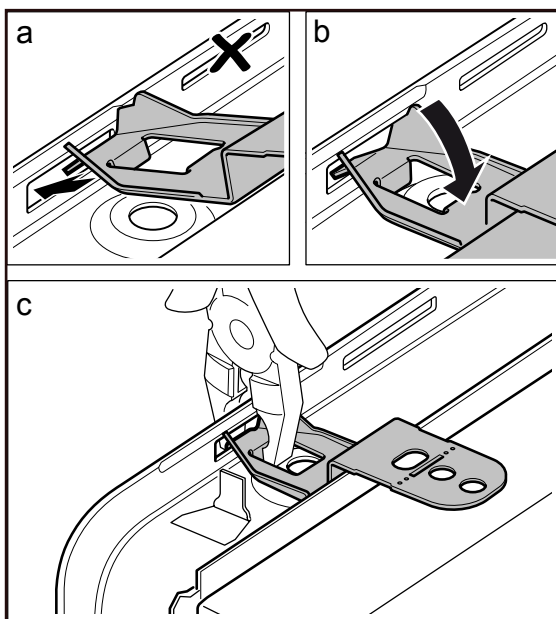
Si usted tiene un panel completamente integrado, no acople los soportes de montaje hasta tanto no haya acoplado el panel a la puerta.

### ⚠ ADVERTENCIA

Evite el peligro de caída

Use la lavadora de platos únicamente cuando esté completamente instalada. Al abrir la puerta de una lavadora de platos que no está instalada, abra la puerta con cuidado mientras sostiene la parte posterior de la unidad. No seguir esta advertencia puede ocasionar lesiones graves.

12



**El montaje superior se usa para** encimeras hechas de madera u otros materiales que puedan ser perforados fácilmente. **Si tiene superficie sólida, mármol, granito, encimeras y otras muy duras, vaya al paso 13 ahora.**

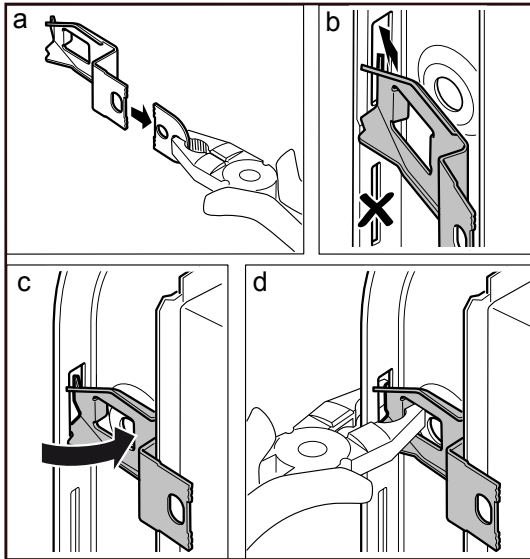
**Si el aislamiento cubre el área en la ilustración 12a, pliéguelo hacia atrás.**

**Oriente los soportes de montaje (D) como se muestra.** Observe la posición del soporte en la ilustración 12b.

**Utilizando pinzas,** doble hacia abajo como se muestra en la ilustración 13c, de modo que el soporte no se deslice fuera de la ranura en la estructura.

**Todavía no conecte al gabinete.**

13



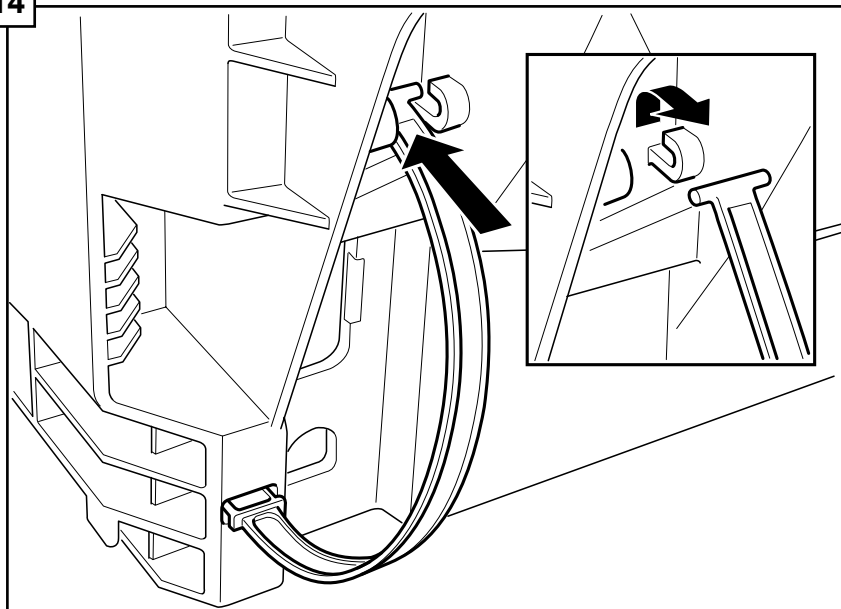
**El montaje lateral se utiliza para encimeras hechas de mármol, granito u otros materiales muy duros que no pueden ser perforados fácilmente.**

**Sujete el soporte de montaje (D) con las pinzas en la perforación y dóblelo hasta que el extremo redondeado se salga. Deseche el extremo.**

**Deslice la brida del soporte a través de las ranuras de los costados en la estructura, como se muestra. Utilizando pinzas, doble la brida de modo que el soporte no se deslice fuera de la ranura. **Todavía no conecte al gabinete.****

## Colocación del lavavajillas

14

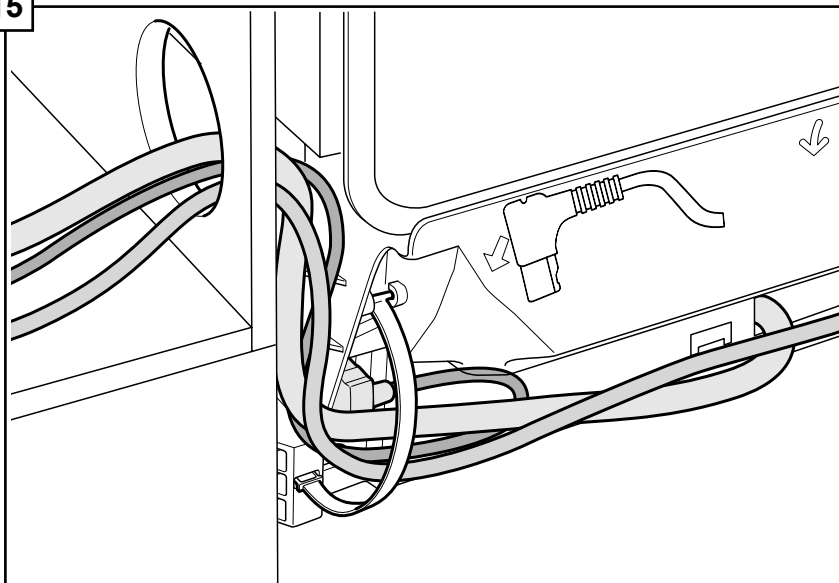


**Si su fregadero se encuentra del lado** derecho de donde usted está instalando la lavadora de platos, tendrá que volver a colocar las mangueras detrás de la lavadora de platos antes de instalarla.

**Para hacerlo, descuelgue la correa** por la que pasan las mangueras en la parte trasera de la base de la lavadora de platos y colóquelas según sus requerimientos.

**Si su fregadero se encuentra** del lado izquierdo, deje las mangueras como vinieron. vaya al paso 16 ahora.

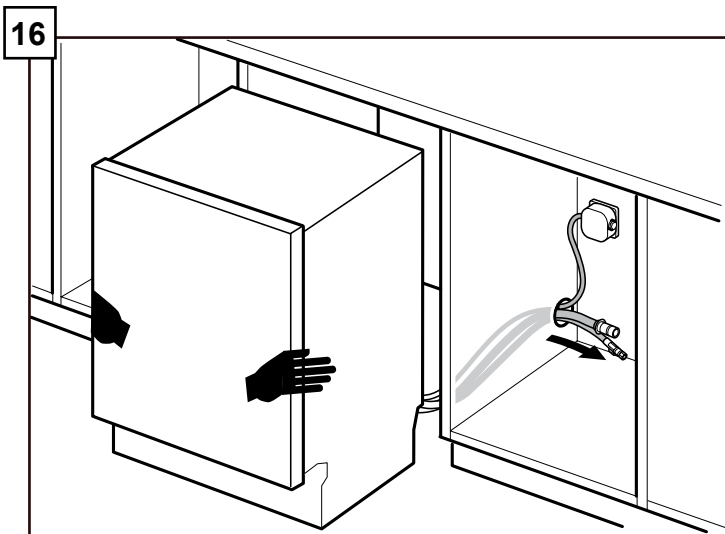
15



**Vuelva a colocar las mangueras** de modo que pasen por la correa del otro lado.

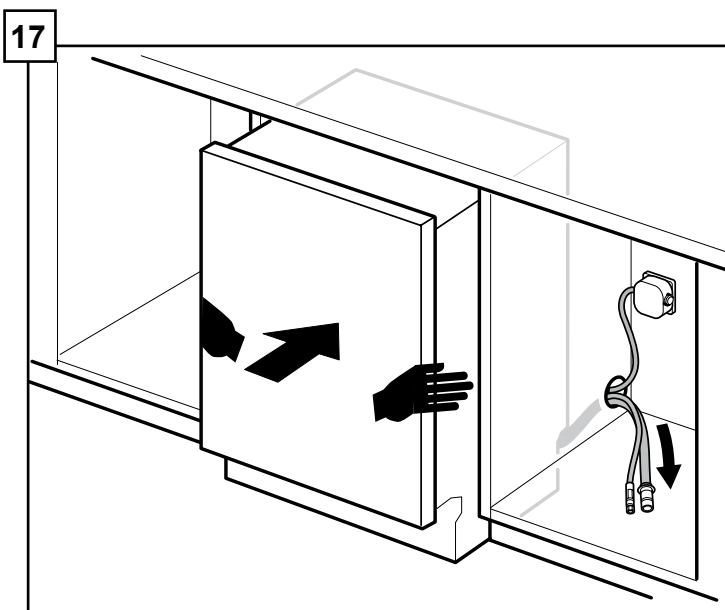
**Asegúrese de calzar la correa de vuelta** en su lugar para asegurar las mangueras, como se muestra.





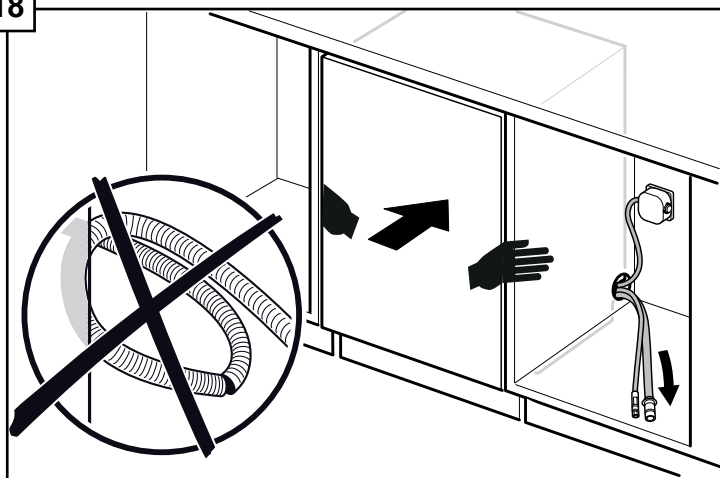
**Para evitar rayar el piso, utilice protección para pisos y tenga cuidado al deslizar la lavadora de platos dentro del gabinete. Use las manos en ambos lados de la lavadora de platos para empujar en forma pareja.**

**Jale la entrada de agua y las mangueras de drenaje a través de orificio en el gabinete, como se muestra.**



**Empuje la unidad 2/3 hacia adentro de la abertura y deténgase.**

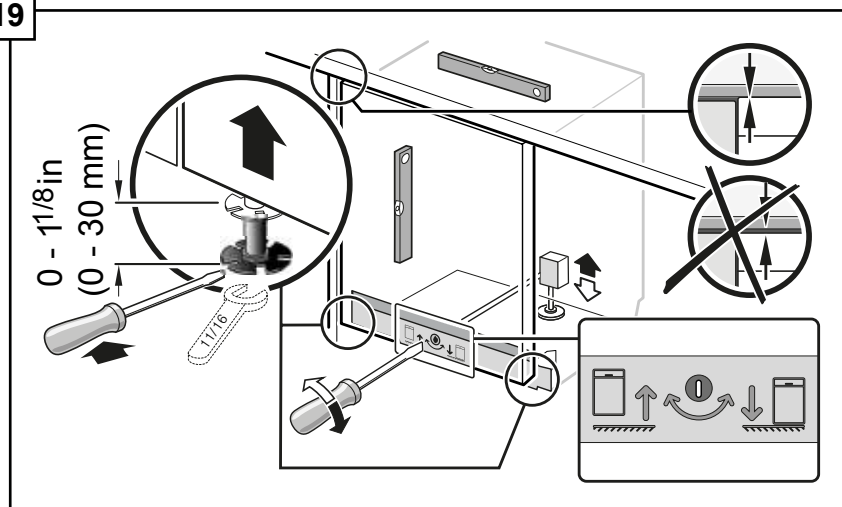
18



Extienda la mano hacia el gabinete adyacente y jale las mangueras y el cable de alimentación excedentes completamente hacia afuera, de modo que no se plieguen.

Empuje la unidad hacia adentro hasta que quede a ras con la puerta del gabinete

19



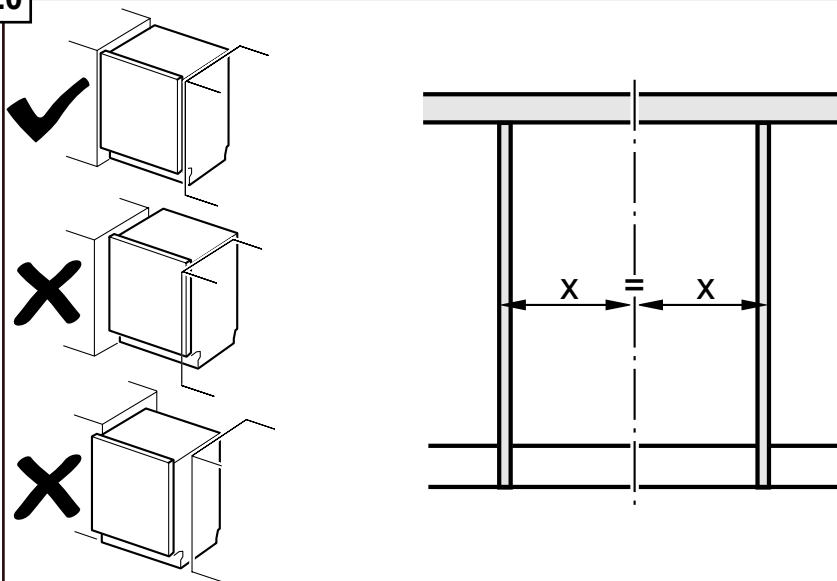
**Ajuste las patas como se muestra** para elevar la unidad de manera que quede a ras con la encimera.

**Utilice un nivel para verificar** que su lavadora de platos esté nivelada.

**Nivele de un lado al otro** girando las patas hacia la derecha para levantar la parte delantera de la unidad o hacia la izquierda para bajarla, como se muestra.

**Nivele desde la parte adelante** hacia la trasera girando el tornillo hacia la derecha para levantar la parte trasera o hacia la izquierda para bajarla.

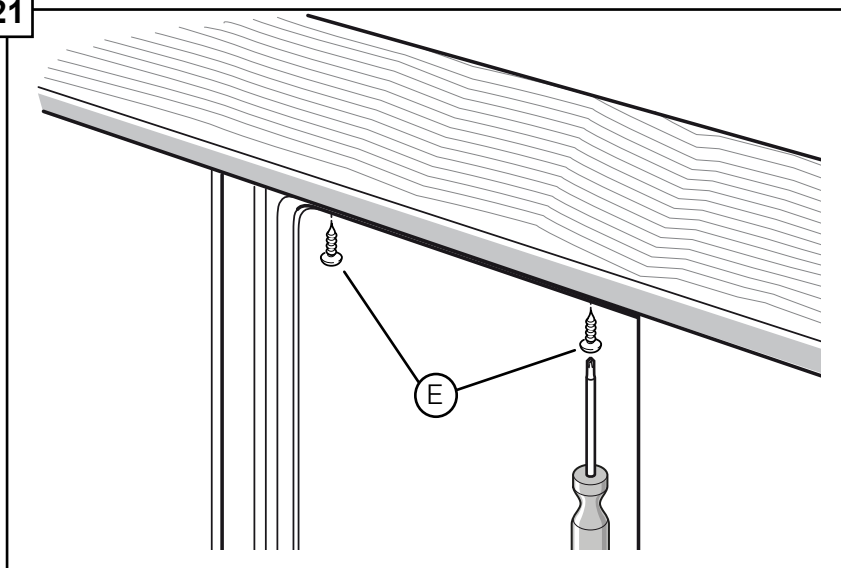
20



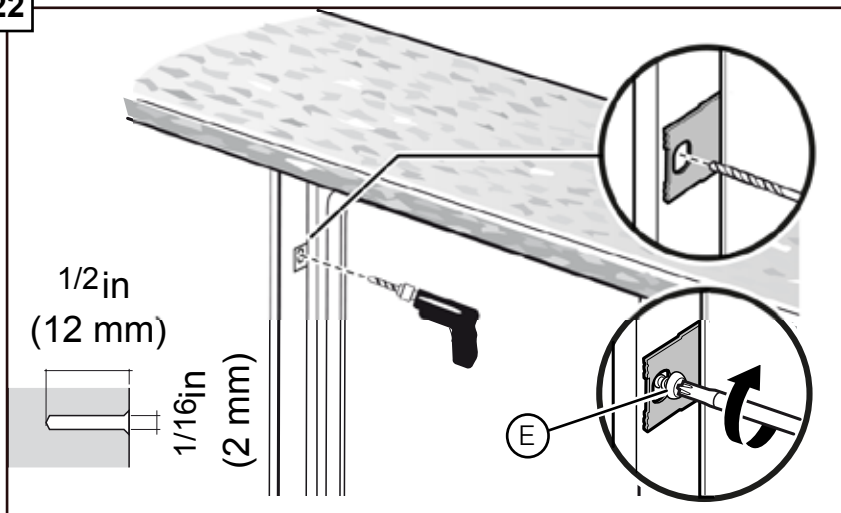
**Centre la lavadora** de platos en la abertura antes de asegurarla en su gabinete o encimera, como se muestra.

## Asegurar el lavavajillas

21



22



**Coloque los tornillos de montaje (E) a través de los orificios que se encuentran en los soportes de montaje, como se muestra para el montaje superior (21) o lateral (22).**

## Conexiones de agua de entrada

### **ADVERTENCIA**

**¡Evite el peligro de escaldadura!**

**No realice ningún trabajo en una tubería de agua caliente que tenga carga. Podría ocasionar lesiones graves. Únicamente los plomeros calificados pueden realizar trabajos de plomería. No intente realizar ningún tipo de trabajo en las tuberías de suministro de agua caliente de la lavadora de platos hasta que esté seguro de que el suministro de agua caliente esté cerrado.**

### **AVISO**

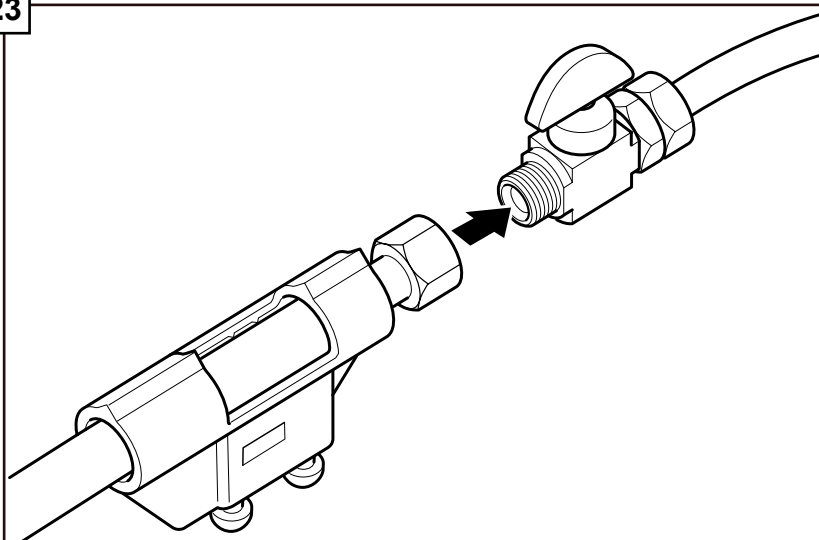
**Las temperaturas requeridas para soldar y fundir dañan la lavadora de platos. Si se van a soldar o fundir las tuberías para plomería, mantenga la fuente de calor, al menos, a 6 pulgadas (152.4 mm) de distancia de la lavadora de platos.**

### **Suministro de agua caliente**

El calentador de agua debe configurarse para suministrar a la lavadora de platos agua de aproximadamente 120 °F (49 °C). El agua demasiado caliente puede hacer que algunos detergentes pierdan efectividad. Las temperaturas más bajas de agua aumentarán los tiempos de funcionamiento. La presión del suministro de agua caliente debe ser de entre 15 y 145 psi (1 a 10 bar).

### **NOTAS:**

- Si se usa una junta con soldadura en lugar de un conector de compresión, asegúrese de hacer todas las conexiones con soldadura antes de conectar la línea de suministro de agua a la lavadora de platos.
- Asegúrese de que no haya codos cerrados ni pliegues en la línea de agua, que podrían restringir el flujo del agua.
- Use siempre el sello adecuado al realizar conexiones de plomería.
- Antes de conectar la línea de suministro de agua a la lavadora de platos, deje correr el agua en la línea entrante durante alrededor de 5 minutos para eliminar cualquier material externo.
- Abra el suministro de agua y verifique que no haya pérdidas una vez que estén hechas las conexiones.



**Conecte la línea de suministro de agua** de la lavadora de platos a la válvula de cierre del agua.

**Necesitará utilizar una línea de suministro** de agua de la lavadora de platos aprobada con los conectores correctos para realizar esta conexión. Use siempre el sello adecuado al realizar conexiones de plomería.

**Una vez que estén hechas** todas las conexiones, abra el suministro de agua caliente y verifique que no haya pérdidas.

## Conexiones del drenaje

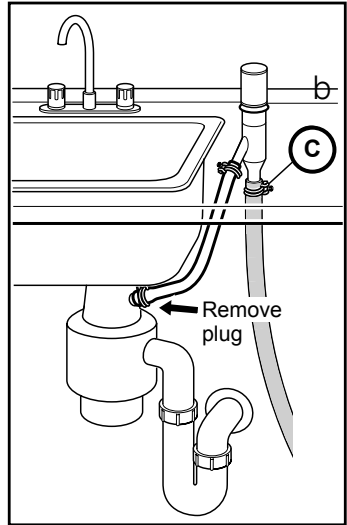
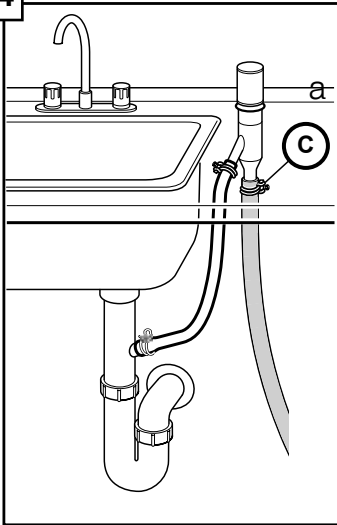
### NOTAS:

- Si las ordenanzas locales requieren un espacio de aire, instálelo de acuerdo con las instrucciones del fabricante.
- Si la manguera de drenaje de la lavadora de platos debe conectarse a una conexión de drenaje para lavadora de platos de un triturador de desechos, retire el tapón de la conexión de drenaje para lavadora de platos del triturador de desechos.
- De todo su largo, la manguera de drenaje de la lavadora de platos debe tener una parte que esté firmemente sujeta 20 pulgadas por encima del piso del gabinete.
- La longitud de la manguera de drenaje puede extenderse si es necesario. La longitud máxima de la manguera de drenaje, incluida la manguera que se conecta con el espacio de aire, es de 150 pulgadas.

**La manguera de drenaje de** la lavadora de platos debe instalarse manteniendo una parte de esta, al menos, a una distancia de 20 pulg. (508 mm) del piso del gabinete; de lo contrario, es posible que la lavadora de platos no drene correctamente.

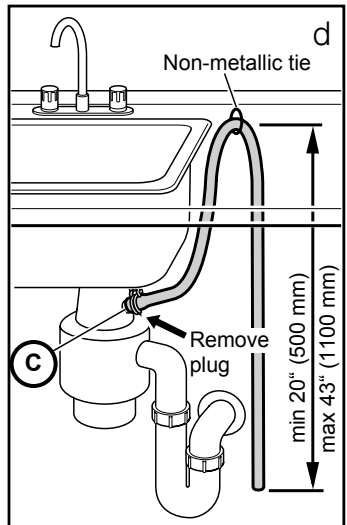
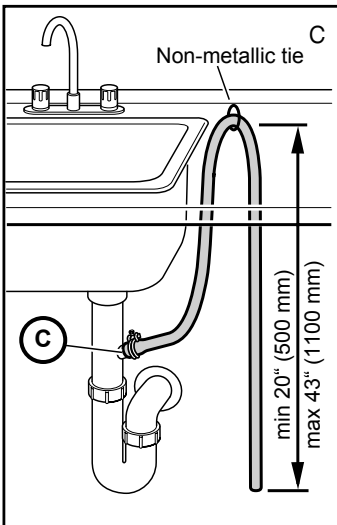
**NOTA:** Coloque la abrazadera de la manguera alrededor del extremo de la manguera de drenaje ANTES de conectarla a la tubería.

24



La manguera de drenaje de la lavadora de platos puede conectarse a la tubería de drenaje utilizando un espacio de aire de dos maneras:

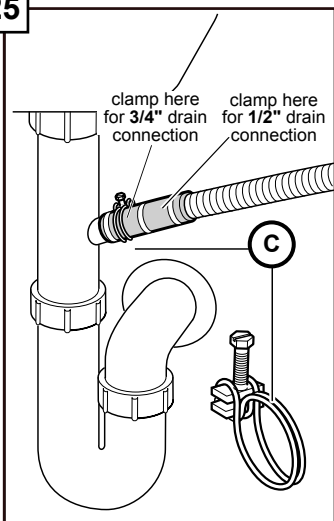
- **Conectando a la conexión de drenaje** para lavadora de platos debajo del fregadero (24a).
- **Conectando a la conexión de drenaje** para lavadora de platos de un triturador de desechos (24b).



La manguera de drenaje de la lavadora de platos puede conectarse a la tubería de drenaje utilizando un bucle alto de dos maneras:

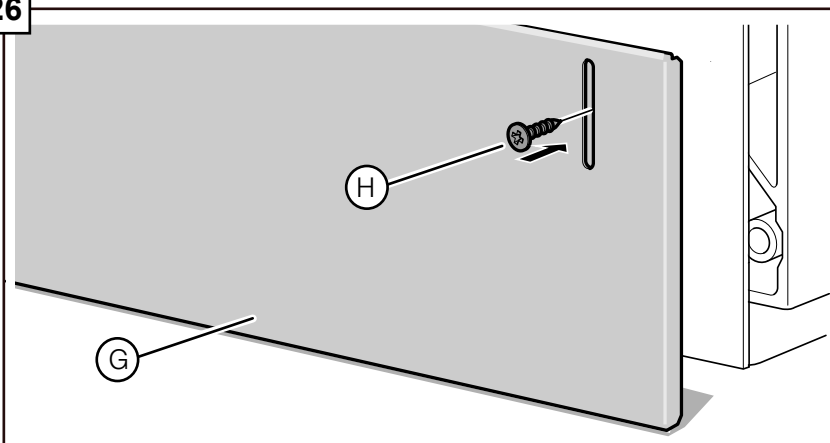
- **Conectando a la conexión de drenaje** para lavadora de platos debajo del fregadero (24c).
- **Conectando a la conexión de drenaje** para lavadora de platos de un



**25**

Utilice la abrazadera que se proporciona (C) para conectar la manguera de drenaje a la tubería de la vivienda, como se muestra.

## Cómo colocar el panel de pie

**26**

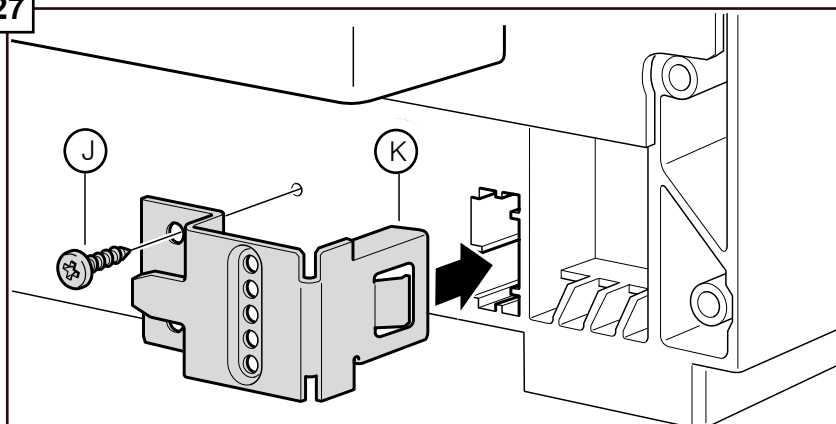
Si su lavadora de platos vino con un panel de pie con ranuras (G), siga estas instrucciones; de lo contrario, vaya ahora al paso 27.

**Nota:** Si utiliza el panel de pie ranuras se muestra en 26, no están obligados a continuación entre paréntesis que aparecen en el 27 de montaje de metal.

Coloque el panel de pie con ranuras (G) en la lavadora de platos. Deje que se apoye sobre el piso.

Acóplelo con tornillos (H), como se muestra. Use únicamente los tornillos suministrados para evitar dañar la lavadora de platos. El panel de pie debe quedar a ras del piso. ¡Ha finalizado la instalación!

27

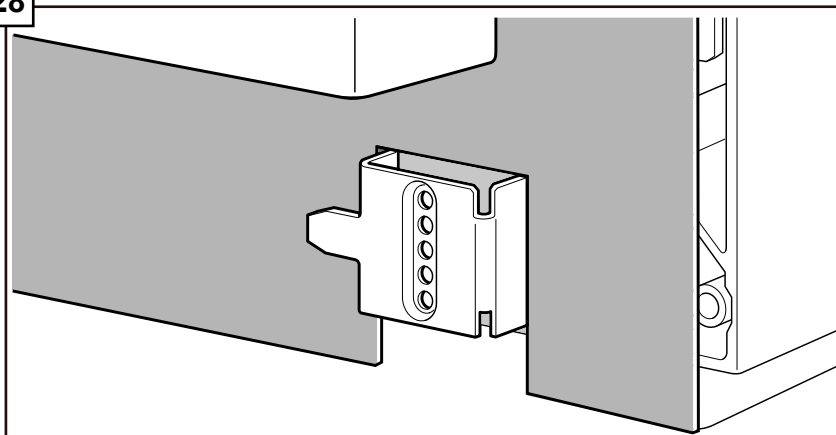


**Si su lavadora de platos vino con un panel de pie sin ranuras (I) y soportes del panel de pie (K), siga estas instrucciones:**

**Enchufe los soportes de metal (K) en las aberturas a ambos lados de la base, como se muestra.**

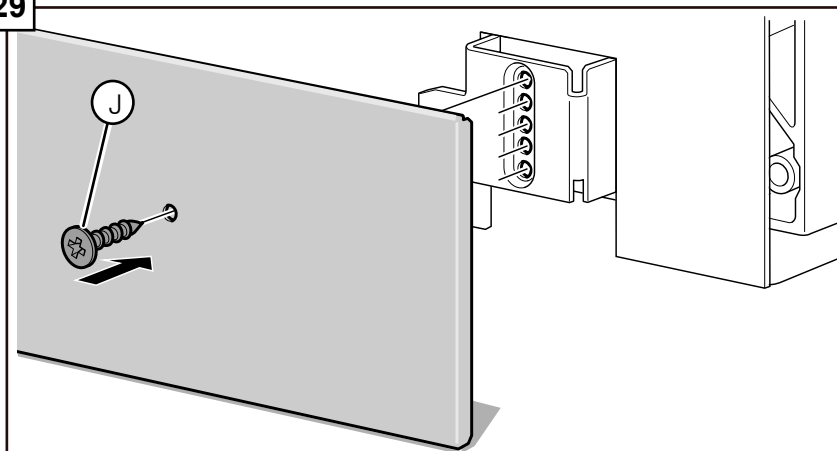
**Utilice un tornillo (J) para montar los soportes de metal en la base, como se muestra.**

28



**Inserte el faldón de hule previamente acoplado detrás de los dedos en los soportes de metal, como se muestra.**

29



**Deslice el panel de pie de metal** a su posición asegurándose de que la parte inferior del panel de pie quede a ras del piso. Utilice un tornillo (J) para montar el panel de pie a través del orificio con el que coincide en los soportes de metal (K), como se muestra.

*Nota: La altura del panel de pie puede ajustarse atornillándolo en un orificio diferente en el soporte.*

**Verifique que el faldón calce** correctamente abriendo la puerta. Asegúrese de que el faldón no se atasque y de que pueda moverse libremente hacia arriba y hacia abajo detrás del panel de pie. **¡Ha finalizado la instalación!**

## Servicio al cliente

Su lavadora de platos no requiere ningún otro cuidado especial además del que se describe en la sección Cuidado y mantenimiento del Manual de uso y cuidado. Si tiene un problema con su lavadora de platos, antes de llamar al servicio técnico consulte la sección Autoayuda en el Manual de uso y cuidado. Si es necesario realizar el servicio técnico, comuníquese con su distribuidor o instalador, o con un centro de servicio técnico autorizado.

No intente reparar el electrodoméstico por sus propios medios. Todo trabajo realizado por personal no autorizado puede invalidar la garantía. Si tiene un problema con su lavadora de platos y no está conforme con el servicio técnico que ha recibido, siga los pasos que aparecen a continuación (en el orden en que se enumeran) hasta que se corrija el problema y usted quede conforme:

1. Comuníquese con su instalador o con el contratista de servicio técnico autorizado de su área.
2. Envíenos una carta a la dirección que figura a continuación:  
BSH Home Appliances Corporation  
1901 Main Street  
Irvine, CA 92614
3. Llámenos al número de teléfono de Servicio al cliente:  
1-800-944-2904

Asegúrese de incluir (si nos envía una carta), o tener disponible (si nos llama), la siguiente información:

- Número de modelo (SH\_\_\_\_\_ UC)
- Número de serie (FD\_\_\_\_\_)
- Fecha de compra original (mm/dd/yyyy)
- Fecha en que se originó el problema (mm/dd/yyyy)
- Explicación del problema
- Número de teléfono al que podamos llamarnos durante el día.

Haga una copia de su factura y guárdela con este manual. A fin de recibir el servicio técnico de la garantía, el cliente debe presentar un comprobante de compra.







