

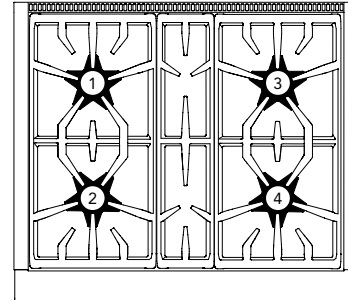
# PRG304WH

## 30-INCH GAS PRO HARMONY® RANGE

PROFESSIONAL SERIES, STANDARD-DEPTH, PORCELAIN COOKTOP SURFACE



### RANGETOP



|                                     |                |
|-------------------------------------|----------------|
| Total number of cooktop Burners     | 4              |
| 1 – Power of Back Left Burner BTU   | 15,000 and XLO |
| 2 – Power of Front Left Burner BTU  | 18,000 and XLO |
| 3 – Power of Back Right Burner BTU  | 15,000         |
| 4 – Power of Front Right Burner BTU | 18,000         |

### OVEN

|  |                                       |
|--|---------------------------------------|
| Oven Capacity                                      | 4.6 cu. ft.                           |
| Cooking Modes                                      |                                       |
| Bake, Convection Bake, Roast, Broil, Extended Bake |                                       |
| Sabbath  | Yes (as Extended Bake – Knob Control) |
| Self Clean   | No                                    |
| Telescopic Rack(s)                                 | 1                                     |
| Interior Lights                                    | 2                                     |
| Bake Power   | 20,500 BTU                            |
| Broil Power  | 17,500 BTU                            |
| Home Connect® (Wi-Fi Enabled)                      | No                                    |
| Cavity Interior Dimensions (HxWxD)                 | 16 1/2" x 26" x 18 5/8"               |
| Cavity Usable Dimensions (HxWxD)                   | 11 1/4" x 22 3/8" x 16 3/4"           |

### DIMENSIONS & WEIGHT

|                                      |   |
|--------------------------------------|---|
| Overall Appliance Dimensions (HxWxD) | 35 3/4" – 36 3/4" x 29 15/16" x 24 3/4" |
| Required Cutout Size (HxWxD)         | 35 3/4" – 36 3/4" x 30" x 24"           |
| Net Weight                           | 368 lbs.                                |

### FEATURES & BENEFITS

- ★ - Exclusive Star® Burner delivers superior flame spread for more even heating with QuickClean Base® designed for easy cleaning
- ★ - 2 ExtraLow® burners offer precision simmering, melting or keeping warm
  - Includes one Full Access® telescopic rack and two standard racks, all with an integrated easy-grip handle
  - Powerful, 20,500 BTU bake and 17,500 BTU broil burners
  - Convection Bake offers precise multi-level baking results

### TECHNICAL DETAILS

|                   |                |
|-------------------|----------------|
| Circuit Breaker   | 15 A           |
| Volts             | 120 V, 60Hz    |
| Energy Source     | Gas            |
| Plug Type USA     | 120V - 3 Prong |
| Power Cord Length | 65" (1,651mm)  |
| Gas Supply        | 3/4"           |

### WARRANTY

|   |        |
|---|--------|
| Limited Warranty, Entire Appliance, Parts and Labor | 2 Year |
|---|--------|

SEE PAGE 2 FOR INCLUDED AND OPTIONAL ACCESSORIES

# PRG304WH

## 30-INCH GAS PRO HARMONY® RANGE

PROFESSIONAL SERIES, STANDARD-DEPTH, PORCELAIN COOKTOP SURFACE



### ACCESSORIES (INCLUDED)

1 Telescopic Rack, 2 Standard Racks, 1 Lg. Broil Pan, Island Trim

### ACCESSORIES (OPTIONAL)



**PWOKRINGHC**  
Wok Ring



**PAGRIDDLE**  
Professional Griddle, Sits on Top of Grates Over 2 Star Burners, High-Release Coating



**PARKB3XHY**  
Metallic Blue Knob Kit



**PA12CHPBLK**  
Chopping Block / Cutting Board



**PA30WLBH**  
Pro Harmony 7" Low Backguard\*



**PALPKITGA**  
LP Conversion Kit, Pro Harmony Gas Models with 4 and 6 Burners

#### **PAALTKITH**

High Altitude Kit, Natural Gas or Dual-Fuel Pro Harmony Ranges, 5,400 ft. to 10,200 ft.

[Contact Customer Support](#)

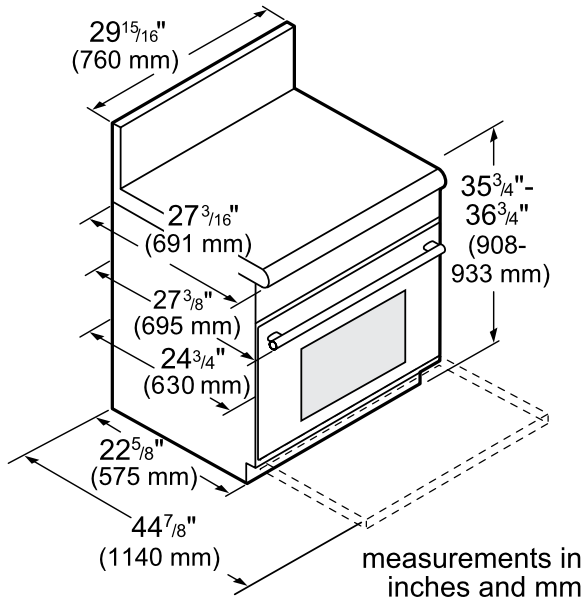
High Altitude Kit, Gas or Dual-Fuel Pro Harmony Ranges Connected to LP Gas, 10,000 ft. to 10,200 ft.

\*Models PCG305xx, PRD305xx, PRD606xx, PRG305xx, PRG304xx and PRD304xx are suitable for 0" rear clearance to combustible surfaces. All other models: when using the included Island Trim a minimum 6" (152 mm) rear clearance is required to a combustible surface. When installing against a combustible surface, a Thermador® Low Backguard is required for a 0" rear clearance to the combustible surface. A Thermador Low Backguard must be purchased separately. A rear clearance to a surface covered in a noncombustible material (metal, ceramic tile, brick, marble, or stone) is 0" when using the included Island Trim. Clearances of less than 6" (152 mm) should be approved by the local codes and/or by the local authority having jurisdiction. Clearances from non-combustible materials are not part of the ANSI Z21.1 scope and are not certified by CSA.

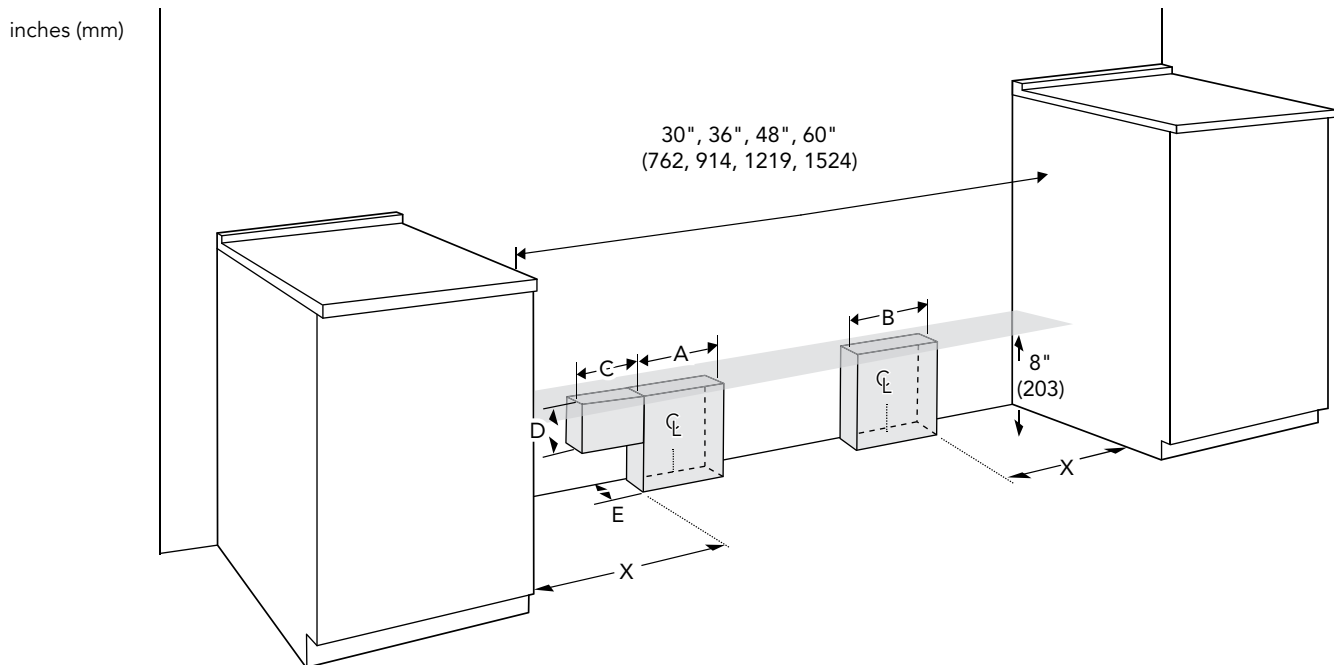
**PRG304WH**  
**30-INCH GAS PRO HARMONY® RANGE**  
 PROFESSIONAL SERIES, STANDARD-DEPTH, PORCELAIN COOKTOP SURFACE



**30-INCH RANGE DIMENSIONS**



**30-INCH RANGE CUTOUT DIMENSIONS**



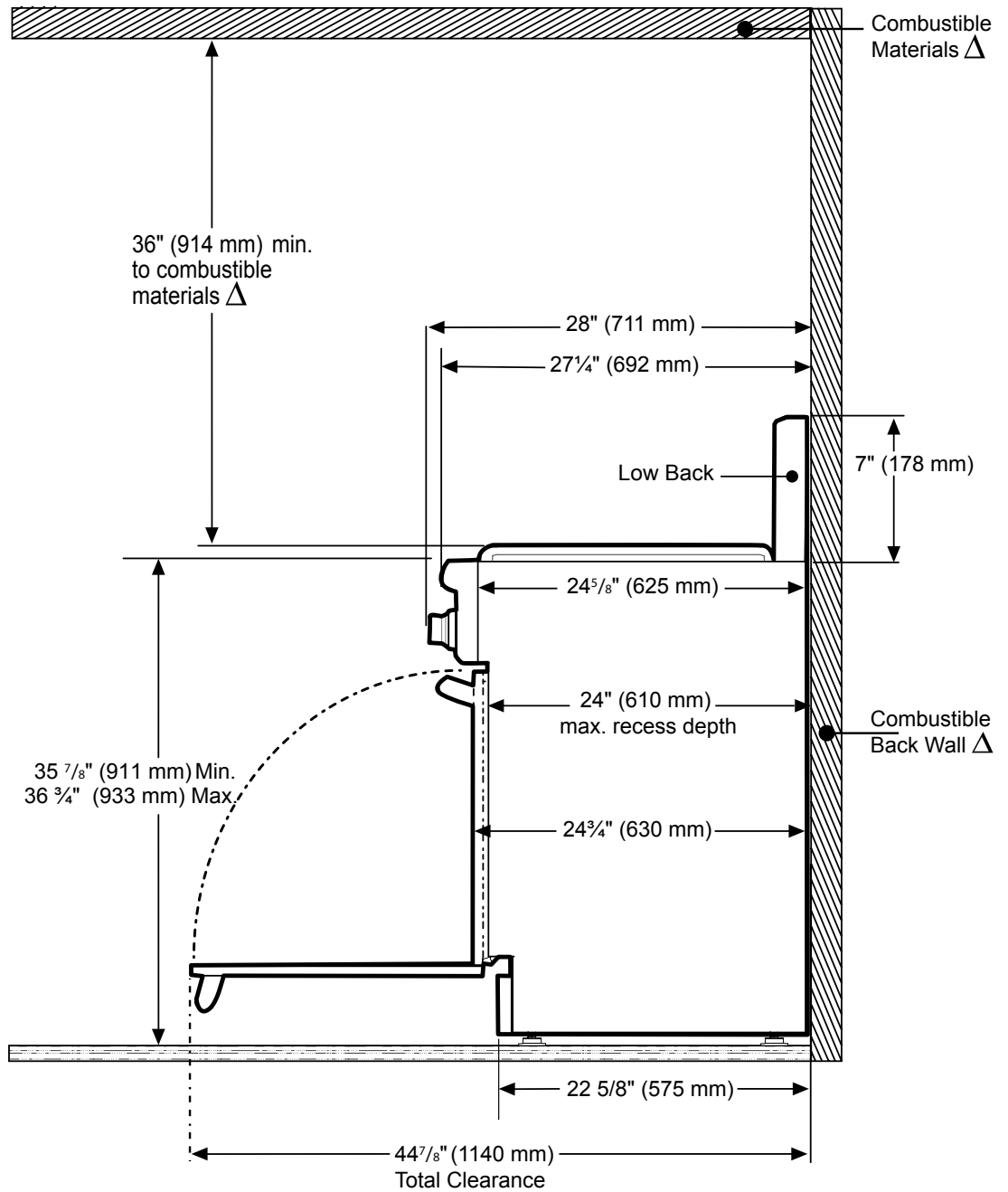
| Range model           | Gas zone A | Electric zone B | X        | C        | D       | E       |
|-----------------------|------------|-----------------|----------|----------|---------|---------|
| All Harmony series    | 4" (102)   | 6" (152)        | 5" (127) | N/A      | N/A     | 2" (51) |
| 36"/ 48" Grand series | 4" (102)   | 6" (152)        | 8" (203) | 4" (102) | 3" (76) | 2" (51) |
| 60" Grand series      | 4" (102)   | 6" (152)        | 8" (203) | 4" (102) | 3" (76) | 1" (25) |

**PRG304WH**  
**30-INCH GAS PRO HARMONY® RANGE**  
 PROFESSIONAL SERIES, STANDARD-DEPTH, PORCELAIN COOKTOP SURFACE



**30-INCH RANGE DIMENSIONS AND CLEARANCE REQUIREMENTS WITH "LOW BACK"**

**NOTE:** A 36-inch minimum clearance is required between the top of the cooking surface and the bottom of an unprotected cabinet. A 30-inch clearance can be used when the bottom of the wood or metal cabinet is protected by not less than 1/4 inch of a flame retardant material covered with not less than No. 28 MSG sheet steel, 0.015 inch (0.4 mm) thick stainless steel, 0.024 inch (0.6 mm) aluminum, or 0.020 inch (0.5 mm) thick copper.



△ As defined in the "National Fuel Gas Code" (ANSI Z223.1, Current Edition). Clearances from non-combustible materials are not part of the ANSI Z21.1 scope and are not certified by CSA.

# PRG304WH

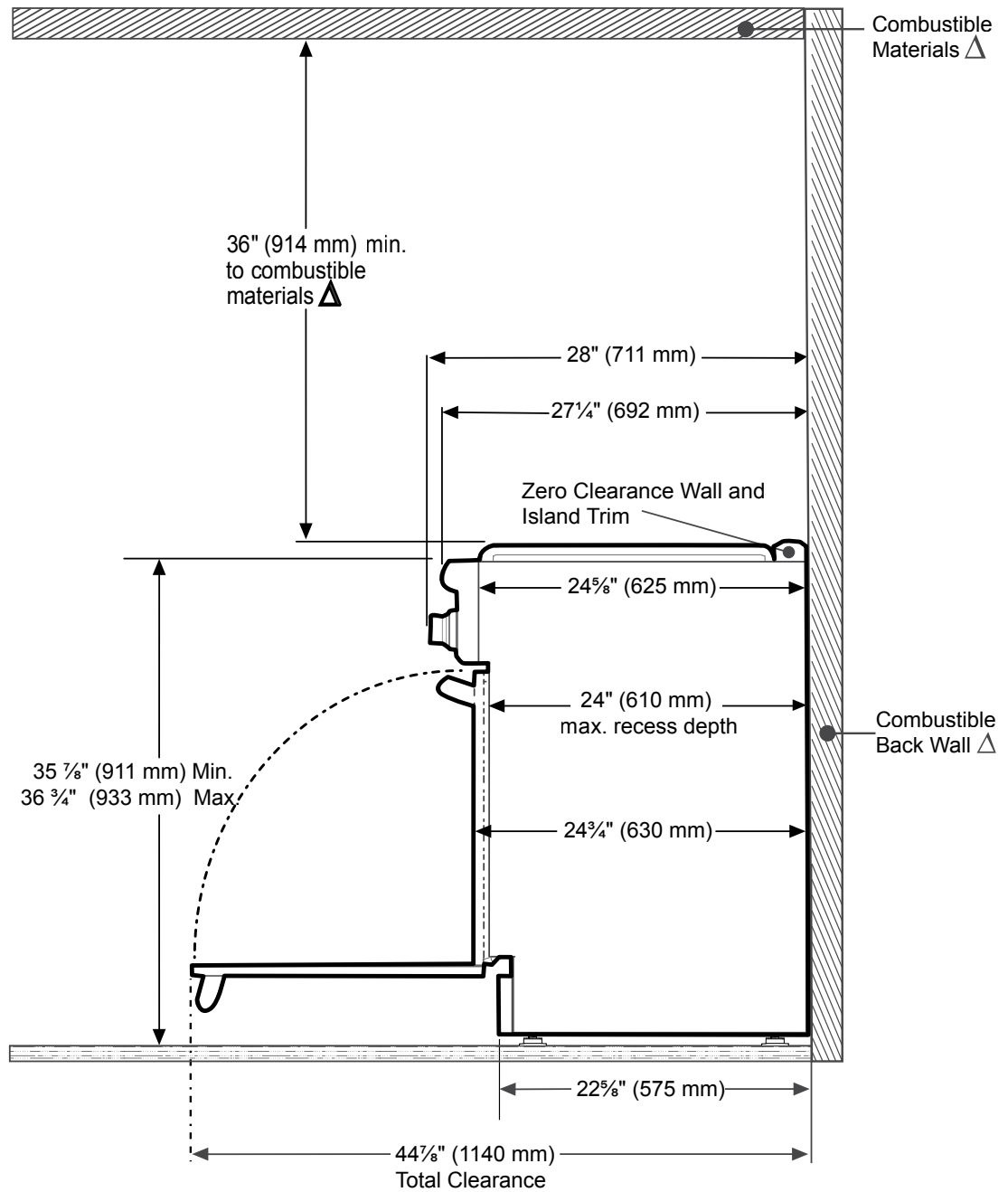
## 30-INCH GAS PRO HARMONY® RANGE

PROFESSIONAL SERIES, STANDARD-DEPTH, PORCELAIN COOKTOP SURFACE



### 30-INCH RANGE DIMENSIONS AND CLEARANCE REQUIREMENTS WITH "FLUSH ISLAND TRIM"

**NOTE:** A 36-inch minimum clearance is required between the top of the cooking surface and the bottom of an unprotected cabinet. A 30-inch clearance can be used when the bottom of the wood or metal cabinet is protected by not less than 1/4 inch of a flame retardant material covered with not less than No. 28 MSG sheet steel, 0.015 inch (0.4 mm) thick stainless steel, 0.024 inch (0.6 mm) aluminum, or 0.020 inch (0.5 mm) thick copper.



△ as defined in the "National Fuel Gas Code" (ANSI Z223.1, Current Edition). Clearances from non-combustible materials are not part of the ANSI Z21.1 scope and are not certified by CSA.

These warranties give you specific legal rights and you may have other rights that vary from state to state. Limited warranty from date of delivery. For complete warranty details, refer to your Use & Care manual, or ask your dealer.

Specifications are for planning purposes only. Refer to installation instructions and consult your countertop supplier prior to making counter opening. Consult with a heating and ventilation engineer for your specific ventilation requirements. For the most detailed information, refer to installation instructions accompanying product or write to Thermador indicating the model number. Specifications are correct at time of printing. Thermador reserves the right to change product specifications or design without notice. Some models are certified for use in Canada. Thermador is not responsible for products that are transported from the U.S. for use in Canada.