

# 30" Gas Slide-in Range

Benchmark® Series – Stainless Steel HGIP054UC



**HGIP054UC**  
Stainless Steel

The full-depth gas slide-in range fits into any freestanding range cutout, and offers a powerful dual-stacked burner.

## Features & Benefits

The Bosch slide-in range fits in any freestanding range cutout.

Powerful 20,000 BTU dual-stacked center burner designed for faster boiling and low simmer.

Dampened hinges softly and quietly guide the QuietClose® door shut.

A full-extension telescopic rack offers safe access to the oven cavity.

The warming drawer keeps everything you cook warm and ready to serve.

## General Properties

Cooking modes	Bake, Variable Broil (hi & low), Roast, Warm, Proof Dough, Convection Bake, Convection Roast, Convection Conversion, Pizza, Temperature Probe, Sabbath
Cleaning type	Self clean
Type of grate	Cast iron
Knob material	Metal
Interior light	2
Kitchen timer	Yes
Drawer type	Warming drawer
Sealed burners	Yes

## Oven Performance

Bake / broil burner power BTU	18,000 / 12,500 BTU
Convection element watts (W)	N/A

## Burner Performance

Total cooktop burners	5
Total cooktop (NG / LP) BTU	55,000 / 48,500
Power of front left burner (NG / LP) BTU	10,000 / 8,000
Power of back left burner (NG / LP) BTU	5,000 / 5,000
Power of center burner (NG / LP) BTU	20,000 / 17,000
Power of back right burner (NG / LP) BTU	5,000 / 5,000
Power of front right burner (NG / LP) BTU	15,000 / 13,500

## Technical Details

Circuit breaker (A)	15 A
Volts (V)	120 V

## Technical Details (continued)

Frequency (Hz)	60 Hz
Plug type	US 3-prong
Cord length (in.)	78"
Energy source	Gas
Gas type	Natural gas 15 mbar (USA)
Alternative gas type	LP 27, 5 mbar (USA)

## Dimensions & Weight

Overall appliance dimensions (HxWxD)(in.)	36 1/2"-37" x 31 1/2" x 29 3/16"
Required cutout size (HxWxD)(in.)	35 1/2"-37" x 30" x 25 1/4"
Adjustable range height (in.)	1 1/2"
Oven cavity size (cu. ft.)	4.8
Overall oven interior dimensions (HxWxD)(in.)	17 13/16" x 24 1/8" x 18"
Usable oven interior dimensions (HxWxD)(in.)	11 1/2" x 23 1/4" x 15 1/4"
Net weight (lbs)	243 lbs

## Accessories—Included

Use and care manual, installation guide, temperature probe, LP conversion kit, 2 standard racks, 1 telescopic rack

## Accessories—Optional



**HEZTR301**  
30" Telescopic rack



**HEZGR301**  
Griddle



**HEZ298102**  
Wok ring



**HGZBS301**  
4" Low backguard



**HGZIT301**  
Island Trim



**Accessories:** To purchase Bosch accessories, cleaners & parts please visit [www.bosch-home.com/us/store](http://www.bosch-home.com/us/store) or call 1-800-944-2904 (Mon to Fri 5 am to 6 pm PST, Sat 6 am to 3 pm PST).

**Notes:** All height, width and depth dimensions are shown in inches. BSH reserves the absolute and unrestricted right to change product materials and specifications, at any time, without notice. Consult the product's installation instructions for final dimensional data and other details prior to making cutout.

**Warranties:** Please see Use & Care manual or Bosch website for statement of limited warranty.

**For more information on our entire line of products, go to [www.bosch-home.com/us](http://www.bosch-home.com/us) or call 1-800-944-2904**

© BSH Home Appliances Corporation. All rights reserved. Bosch is a registered trademark of Robert Bosch GmbH.

# 30" Gas Slide-in Range

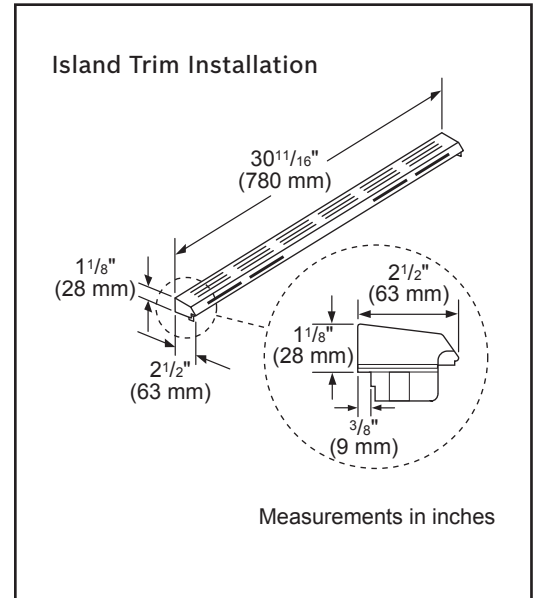
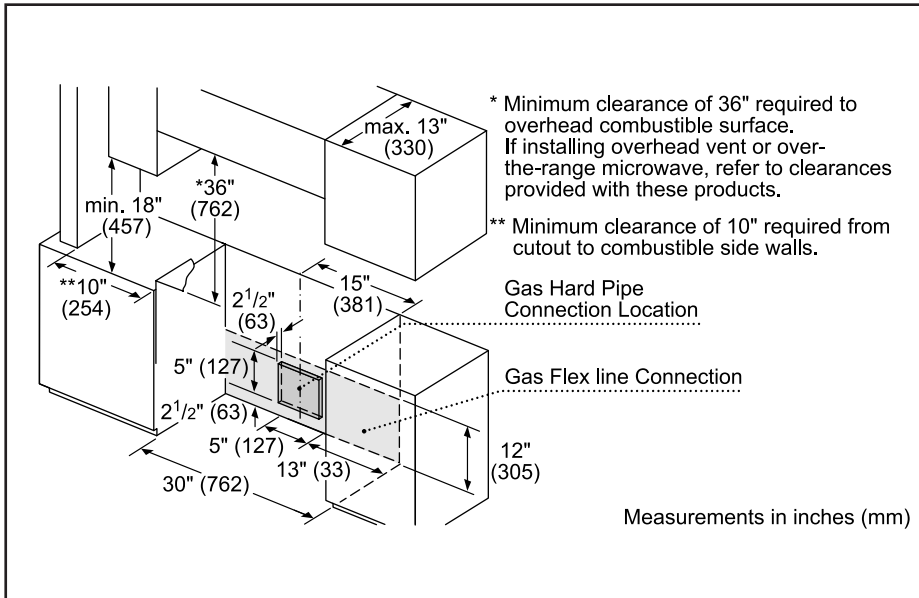
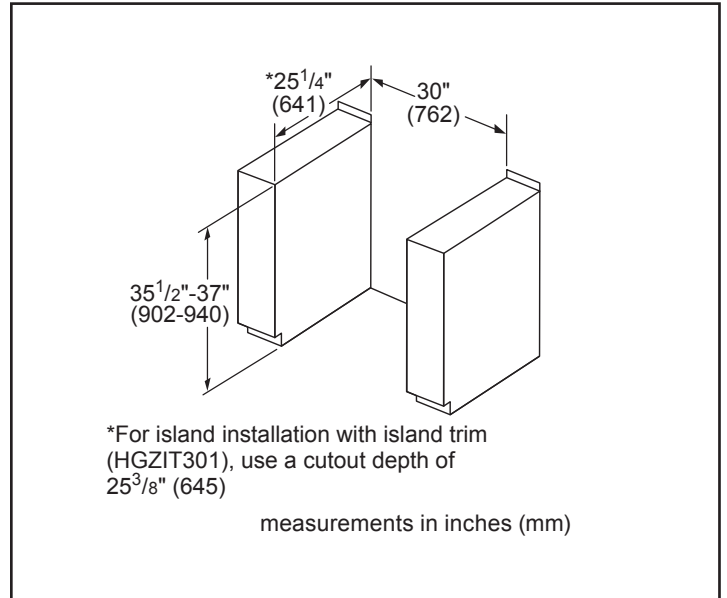
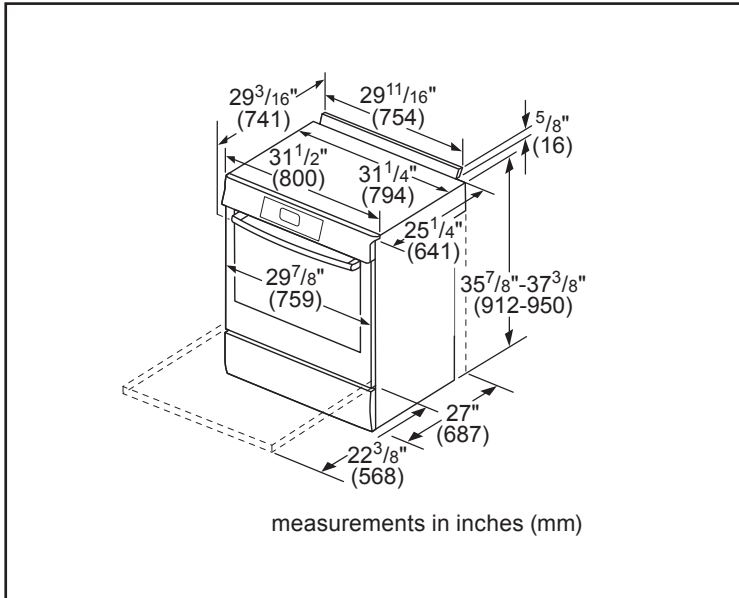
Benchmark® Series – Stainless Steel HGIP054UC



**BOSCH**

Invented for life

## Installation Details



**Accessories:** To purchase Bosch accessories, cleaners & parts please visit [www.bosch-home.com/us/store](http://www.bosch-home.com/us/store) or call 1-800-944-2904 (Mon to Fri 5 am to 6 pm PST, Sat 6 am to 3 pm PST).

**Notes:** All height, width and depth dimensions are shown in inches. BSH reserves the absolute and unrestricted right to change product materials and specifications, at any time, without notice. Consult the product's installation instructions for final dimensional data and other details prior to making cutout.

**Warranties:** Please see Use & Care manual or Bosch website for statement of limited warranty.

**For more information on our entire line of products, go to [www.bosch-home.com/us](http://www.bosch-home.com/us) or call 1-800-944-2904**

© BSH Home Appliances Corporation. All rights reserved. Bosch is a registered trademark of Robert Bosch GmbH.