

# 30" Under-Cabinet Wall Hood

300 Series – Stainless Steel DUH30152UC



**DUH30152UC**  
Stainless Steel

**Quickly and quietly clears the air of smoke and odors.**

## Features & Benefits

Allows you to adjust the performance of your hood to match the type of cooking.

Efficiently filters grease and other solid particles out of the extracted air.

Incandescent lighting illuminates the cooking area efficiently.

## General Properties

|                          |                                     |
|--------------------------|-------------------------------------|
| Operating mode           | Convertible: ducted / recirculating |
| Maximum CFM (blower)     | 280 CFM                             |
| Number of speed settings | 3-stage                             |
| Motor location           | Integrated motor in hood body       |
| Number of lights         | 2                                   |
| Bulb type                | Incandescent                        |
| Light lumens             | 380                                 |
| Light color              | 2700 K                              |
| Total power of the lamps | 80 W                                |
| Damper included          | Yes                                 |
| Grease filter material   | Aluminum                            |
| Grease filter type       | Multilayer cassette                 |

## Technical Details

|           |         |
|-----------|---------|
| Watts     | 236 W   |
| Volts     | 120 V   |
| Frequency | 60 Hz   |
| Plug type | No plug |



## Dimensions & Weight

|   |                                  |
|---|----------------------------------|
| Overall appliance dimensions (width of canopy included) (HxWxD) | 5" x 30" x 20"                   |
| Minimum distance above cooktop / range cooking surface          | Min. 24" Electric / Min. 30" Gas |
| Diameter of air duct top  | 7"                               |
| Diameter of air duct back                                       | 3 1/4" x 10" Rectangular         |
| Net weight  | 42 lbs                           |

## Accessories – Optional

|                             |           |
|-----------------------------|-----------|
| Replacement charcoal filter | DHZ3002UC |
|-----------------------------|-----------|

**Accessories:** To purchase Bosch accessories, cleaners & parts please visit [www.bosch-home.com/us/store](http://www.bosch-home.com/us/store) or call 1-800-944-2904 (Mon to Fri 5 am to 6 pm PST, Sat 6 am to 3 pm PST).

**Notes:** All height, width and depth dimensions are shown in inches. BSH reserves the absolute and unrestricted right to change product materials and specifications, at any time, without notice. Consult the product's installation instructions for final dimensional data and other details prior to making cutout.

**Warranties:** Please see Use & Care manual or Bosch website for statement of limited warranty.

**For more information on our entire line of products, go to [www.bosch-home.com/us](http://www.bosch-home.com/us) or call 1-800-944-2904**

© BSH Home Appliances Corporation. All rights reserved. Bosch is a registered trademark of Robert Bosch GmbH.

# 30" Under-Cabinet Wall Hood

300 Series – Stainless Steel DUH30152UC

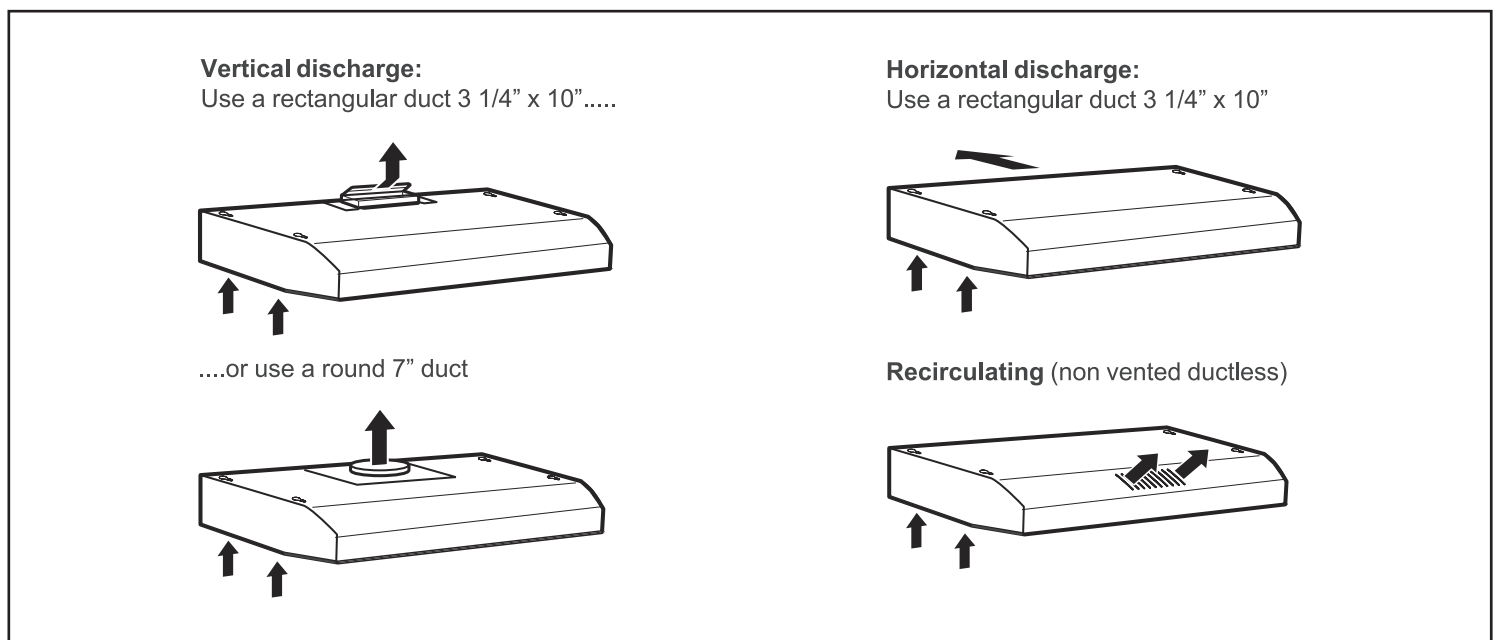
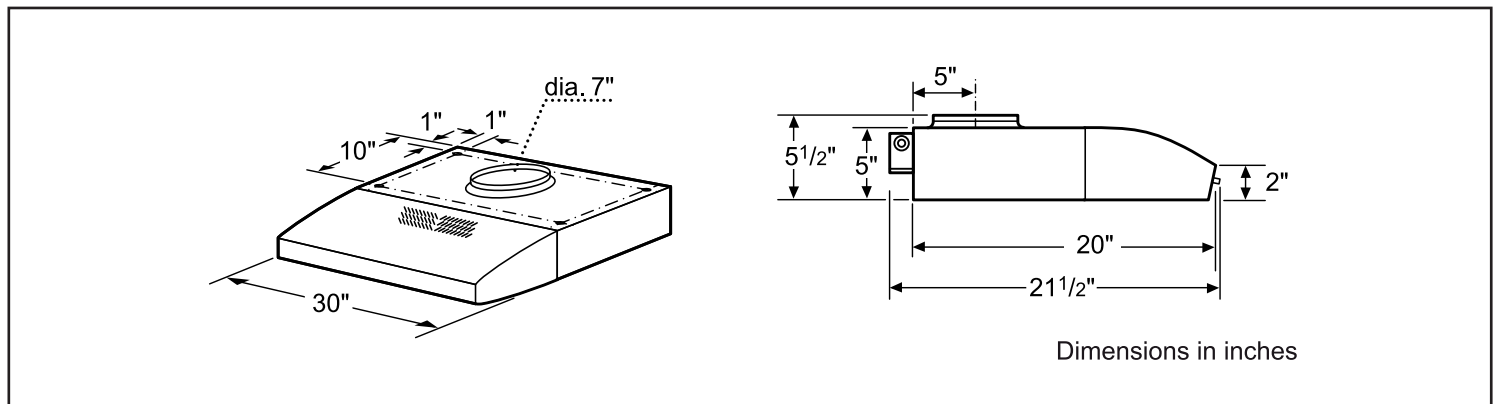


**BOSCH**  
Invented for life

## HVI Performance Values

| Exhaust    | Duct Size   | Pressure (in. H <sub>2</sub> O) |               | Power (W)  |               | CFM        |               | Sones      |               |
|------------|-------------|---------------------------------|---------------|------------|---------------|------------|---------------|------------|---------------|
|            |             | High Speed                      | Working Speed | High Speed | Working Speed | High Speed | Working Speed | High Speed | Working Speed |
| Vertical   | 7"          | 0.1                             | 0.037         | 236        | 138           | 170        | 120           | 4.5        | 1.5           |
| Horizontal | 3.25" x 10" | 0.1                             | 0.068         | 235        | 180           | 150        | 120           | 6.0        | 3.5           |

## Installation Details



**Accessories:** To purchase Bosch accessories, cleaners & parts please visit [www.bosch-home.com/us/store](http://www.bosch-home.com/us/store) or call 1-800-944-2904 (Mon to Fri 5 am to 6 pm PST, Sat 6 am to 3 pm PST).

**Notes:** All height, width and depth dimensions are shown in inches. BSH reserves the absolute and unrestricted right to change product materials and specifications, at any time, without notice. Consult the product's installation instructions for final dimensional data and other details prior to making cutout.

**Warranties:** Please see Use & Care manual or Bosch website for statement of limited warranty.

**For more information on our entire line of products, go to [www.bosch-home.com/us](http://www.bosch-home.com/us) or call 1-800-944-2904**

© BSH Home Appliances Corporation. All rights reserved. Bosch is a registered trademark of Robert Bosch GmbH.