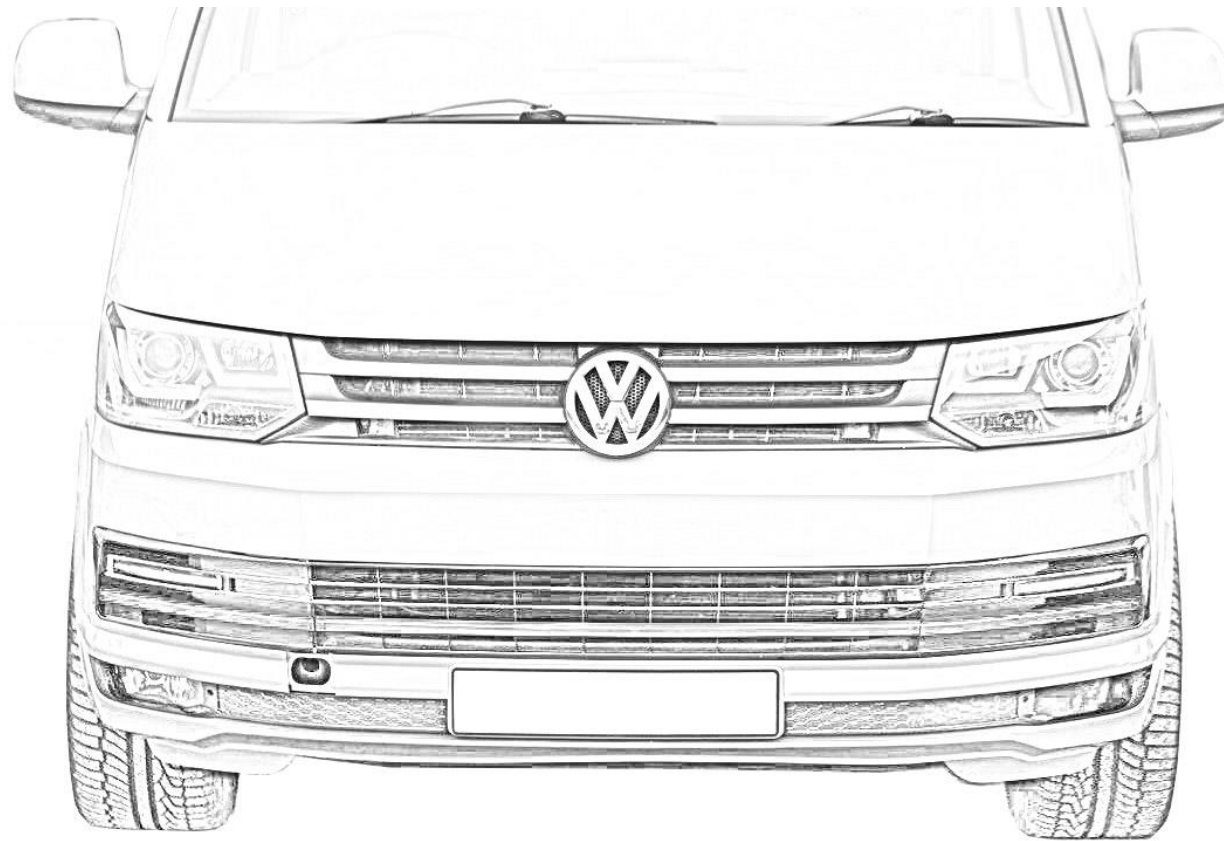


# Fitting Van-X T5-X Bumper



## **YOUR KIT WILL INCLUDE:**

- Full T5-X Bumper
- Light Bar LED DRLs
- Front Bumper Grille
- Front Bumper Grille Trims
- Screws for fitting

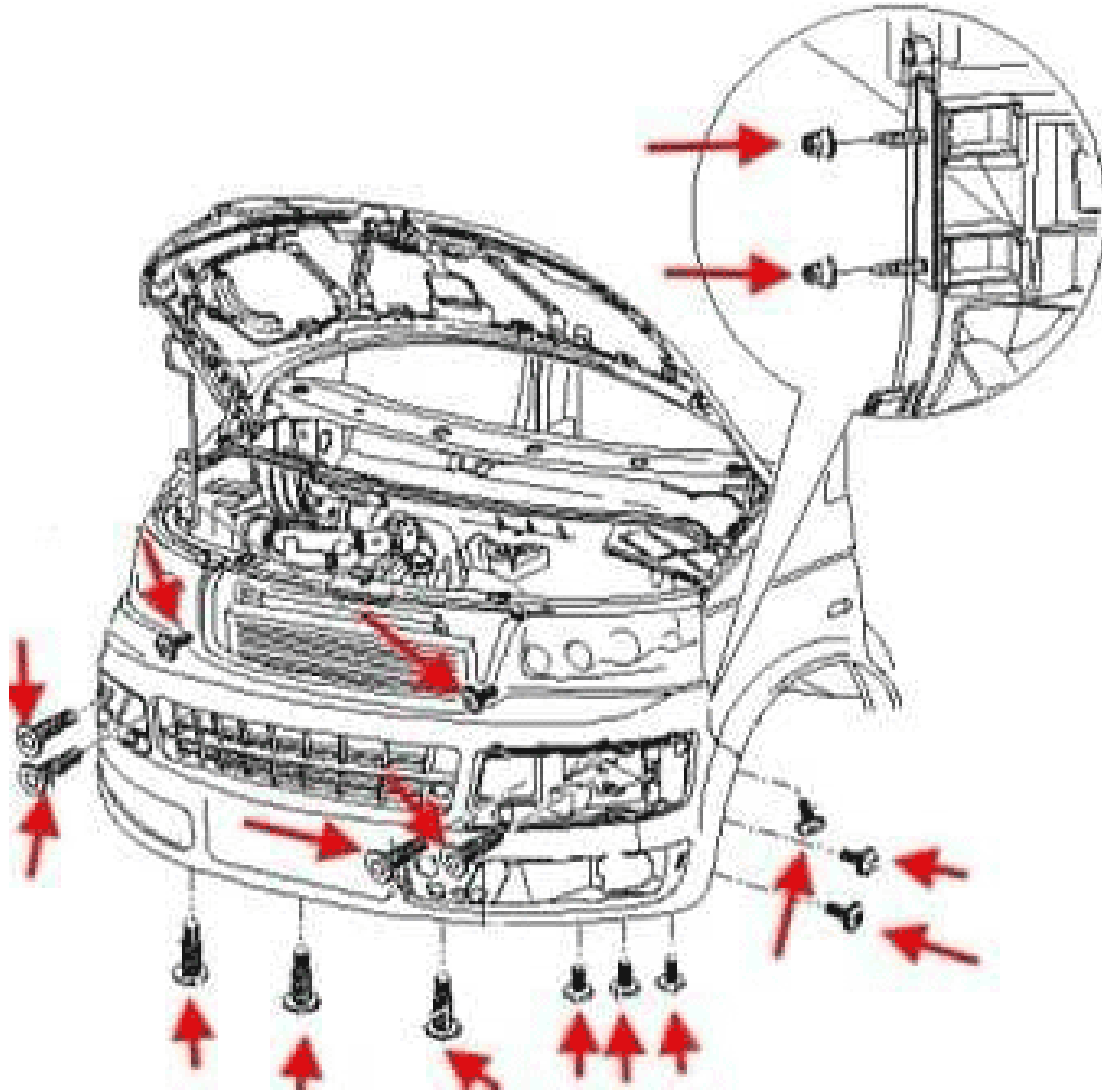
## **THE TOOLS REQUIRED ARE AS FOLLOWS:**

- Screwdriver
- Panel remover



## Step 1

Remove the bumper panels with a panel remover and the main grille to expose the fixing screws.



## Step 2

The fixing screws are located in the highlighted areas.

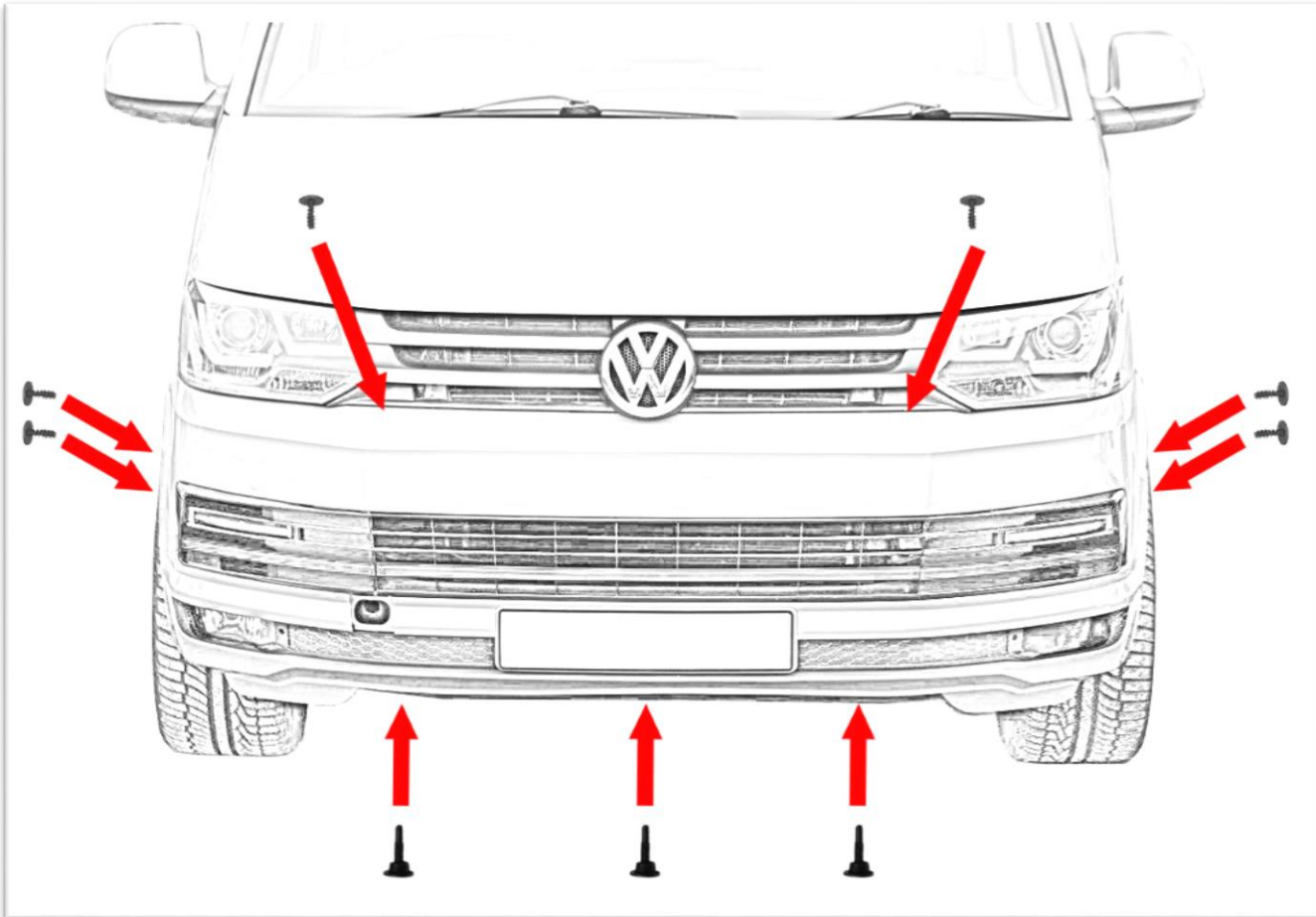
You will need to remove each of these to remove the T5.1 Bumper

### **Step 3**

Now that the old bumper is off now is the best time to spray and address any corrosion on the bumper area especial on the radiator panel. Ensure to clean down the area.

## Step 4

When fitting the T5-X you require to fit the 2 screws on both wings, 1 screw on either side of the headlamp and 3 screws at the bottom underneath.



Please note you need to take the Z-bracket off on both head lamps from the bumper and then slide the T5-X bumper in firmly then reattach brackets to the bumper.

## Step 5

After fitting all screws, you will need to go underneath the van and slide the inner mudguards and overlap the inside of the bumper.

You don't require to screw on the inner wing as there is no wind pressure in this area on both sides.

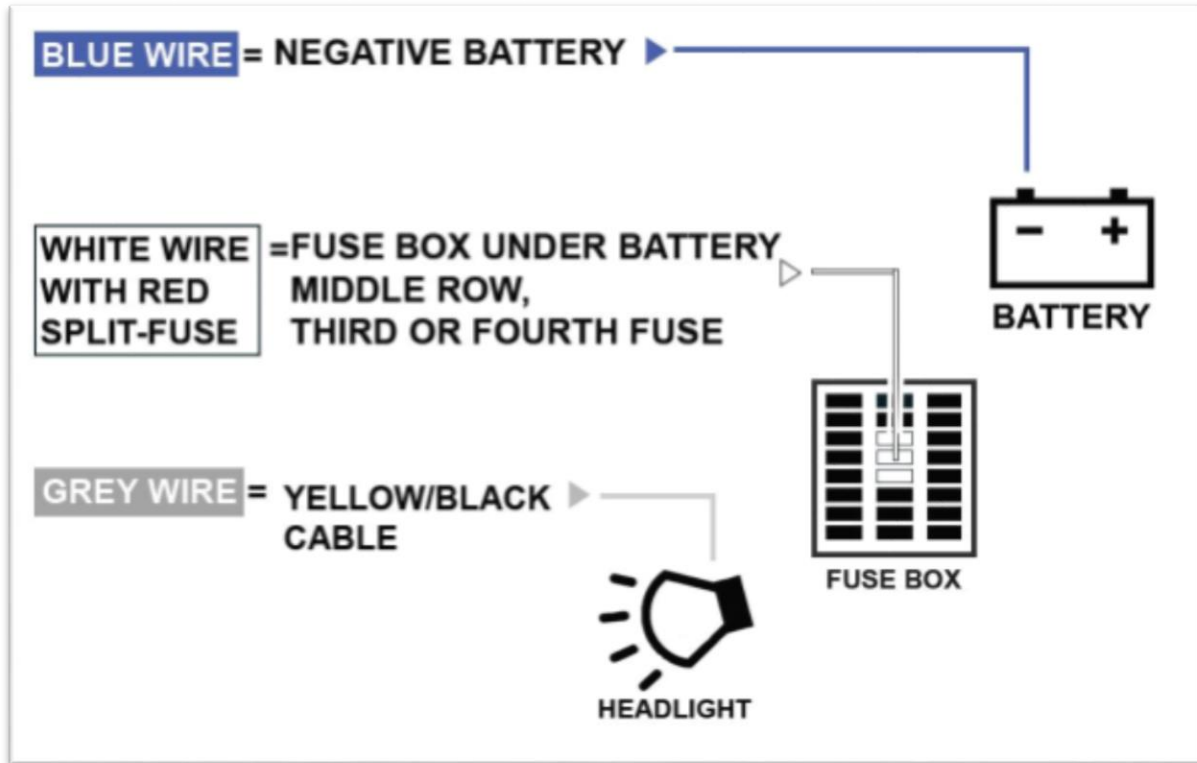
Please make sure there is a gap left to wire the daylight and the wiring loom.

## Step 6

Inside the wheel arches there are 2 locations for screws same as original bumper. There will also be 2 tabs for if you wish to screw on the spoiler.

Alt you can trim the mud flap in this area.

You can do this on both the driver and passenger side then fit the grille back into place.



## Step 7

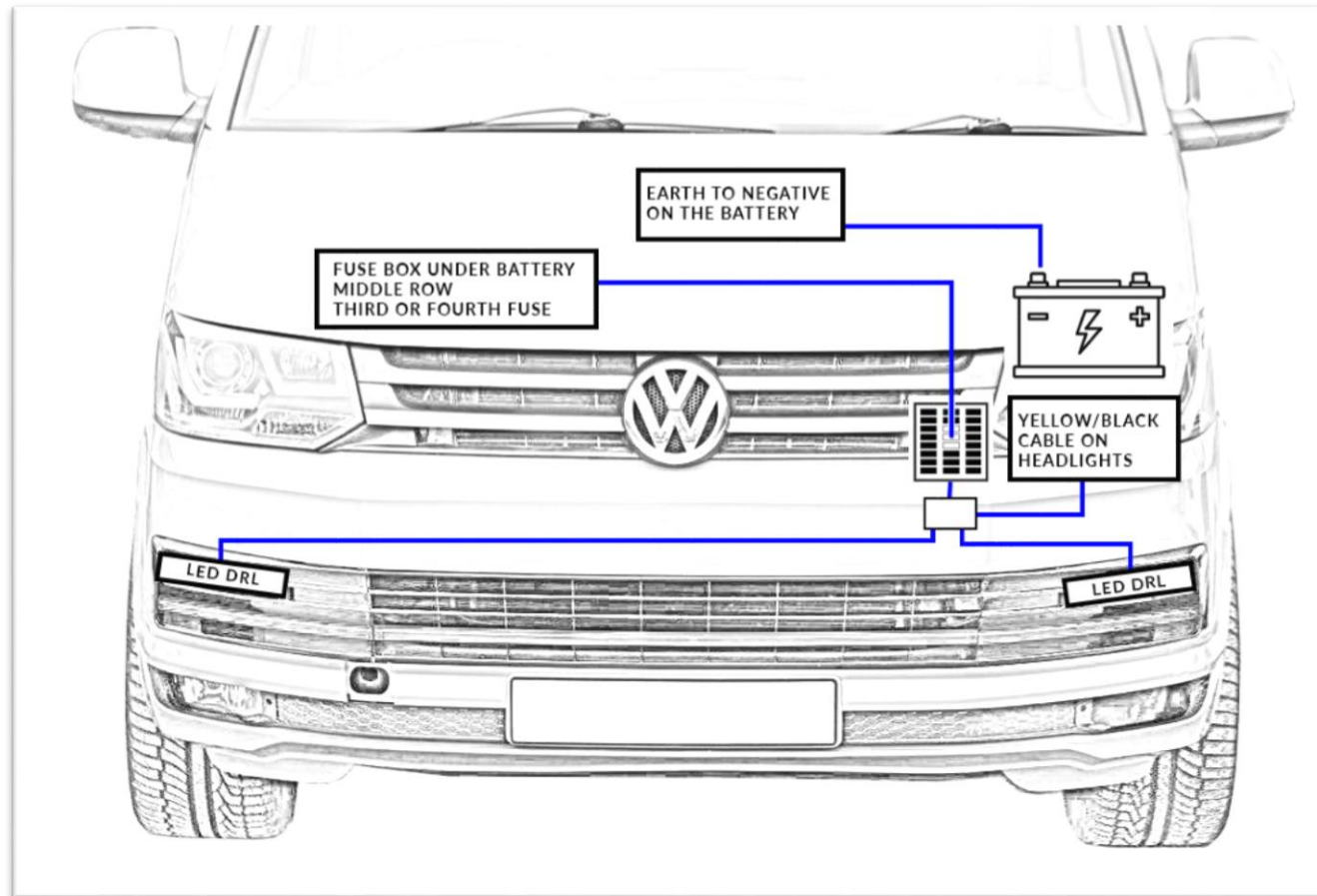
For the DRL wiring please see this diagram for instructions.

If you remove a fuse for the red split fuse, reinsert the removed fuse into the split-fuse.



## Step 8

Please see this diagram to find the locations of each of the locations you will need to connect the DRLs.



## Optional Extra! Fog Lights!



If you would like fog lights with the T5-X bumper you are able to use original VW T6 Fog Lights.

(Not supplied) it is possible with an alterations on the washer bottle.

\*Fog light blanking plate not included like OEM