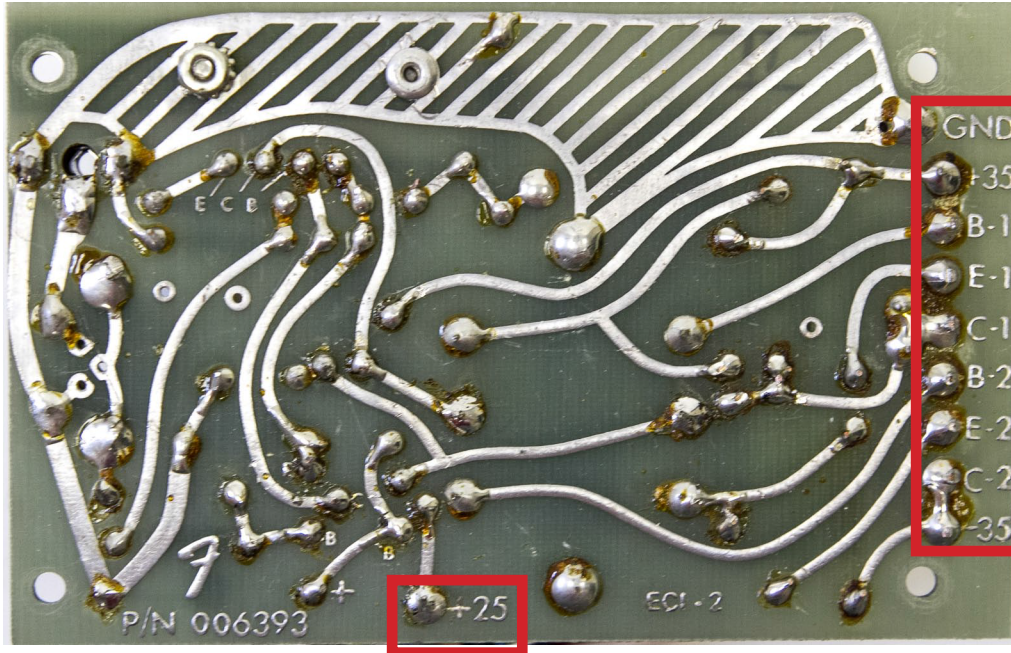


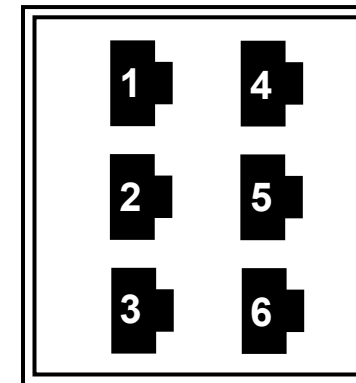
# VINTAGE VIBE POWER AMP MODULE CONNECTIONS



4 pin Peterson Power Amp Module (underside of PCB)

## AMP MODULE WIRING HARNESS

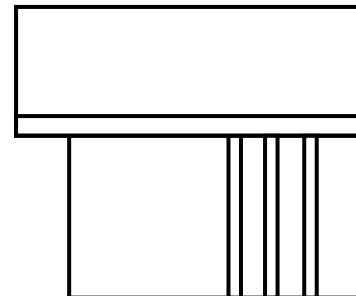
Desolder amp module wiring harness from original PCB and solder to VV amp module. Utilize the diagrams and molex connector pinout information to ensure proper connections.



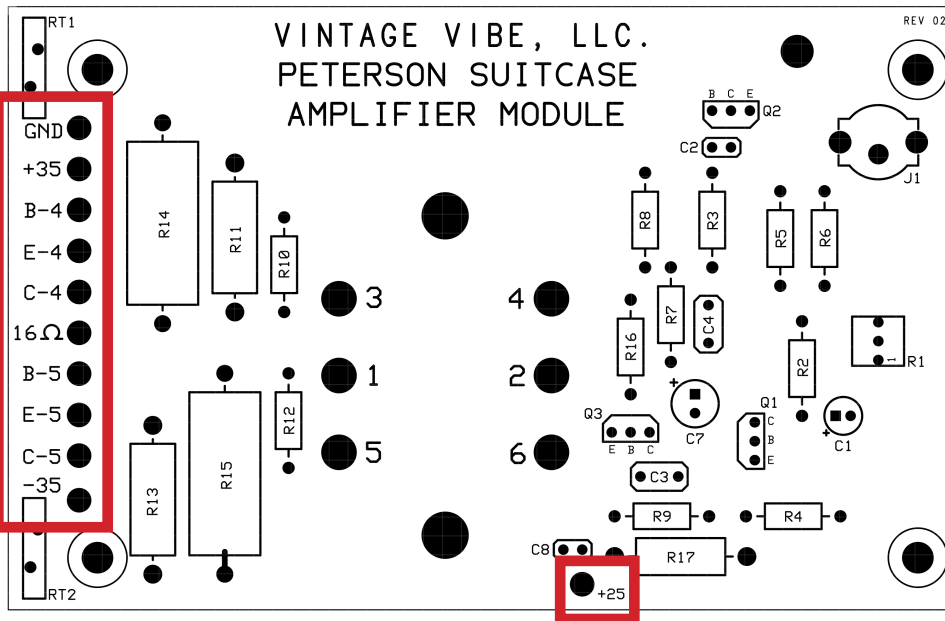
View looking into pin side of connector

PIN #	Amp Module PCB
1	+35
2	+25
3	-35
4	N/A
5	GND
6	16 Ω

Compare the location of the empty pin hole and the orientation of its shape to ensure proper pinout.



**NOTE:** If installing the VV amp module onto your own heatsink it is important that the included thermal insulation pads are installed; one between each transistor case and the heatsink.



Vintage vibe Power Amp Module (top of PCB)