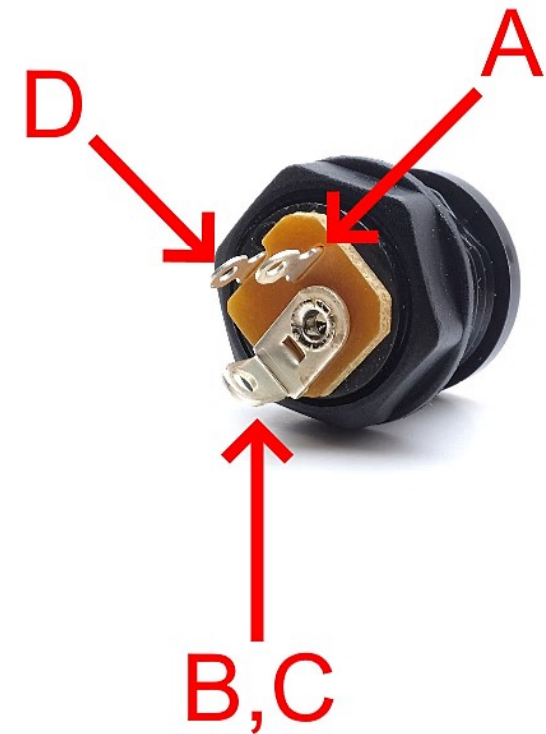
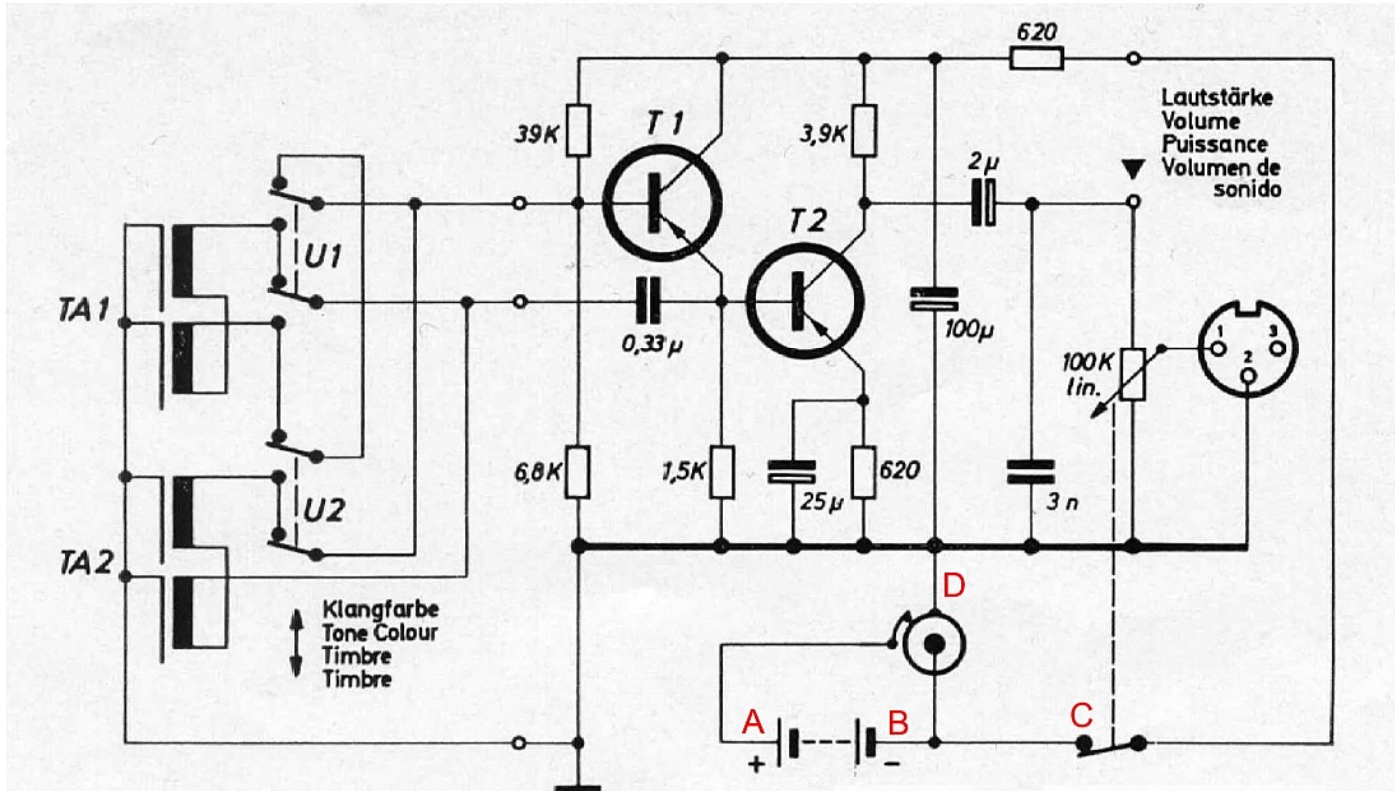


# CLAVINET C

## DC Jack Wiring for Stock PNP Circuit



- A: Battery clip Positive (+) terminal
- B: Battery clip Negative (-) terminal
- C: Power switch
- D: Preamplifier PCB "ground"