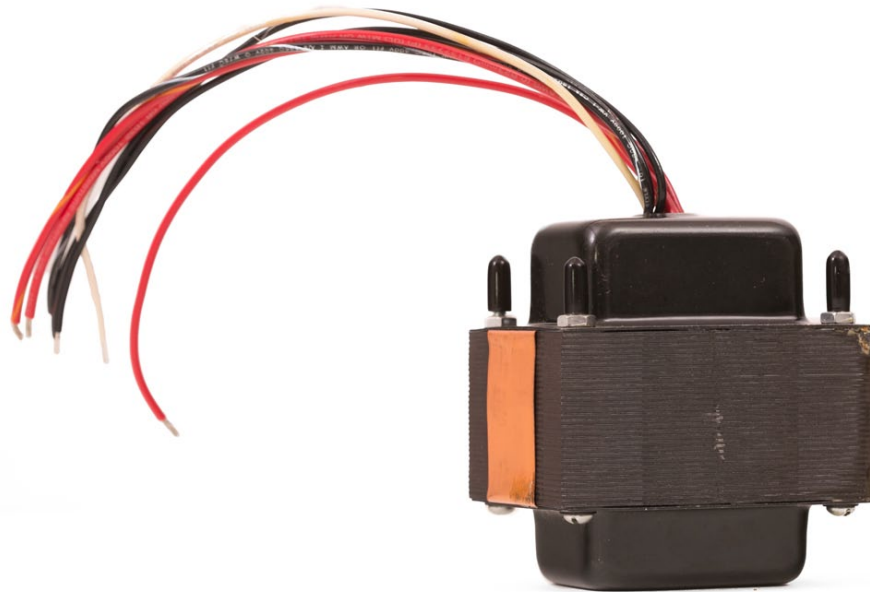




VINTAGE VIBE
ELECTRIC PIANO CO.



**4 PIN (PETERSON) RHODES SUITCASE AMPLIFIER
POWER TRANSFORMER**

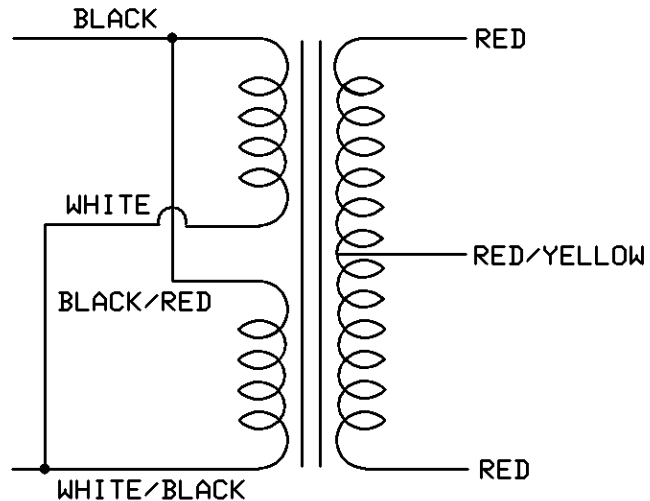
PRIMARY WIRING SCHEMATIC

120VAC LINE VOLTAGE

For 120VAC:

Wire primaries in parallel:

1. Pair Black and Black/Red wires together
2. Pair White and White/Black wires together
3. Use the paired wires together in the circuit



240VAC LINE VOLTAGE

For 240VAC:

Wire primaries in series:

1. Connect White and Black/Red wires together
Enclose connection in heatshrink
3. Use Black and White/Black wires in the circuit

