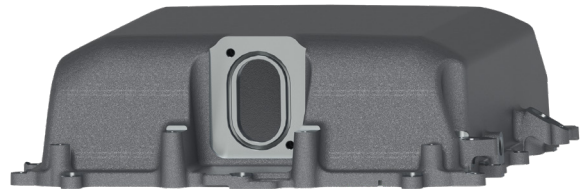




# LSA Supercharger Lid

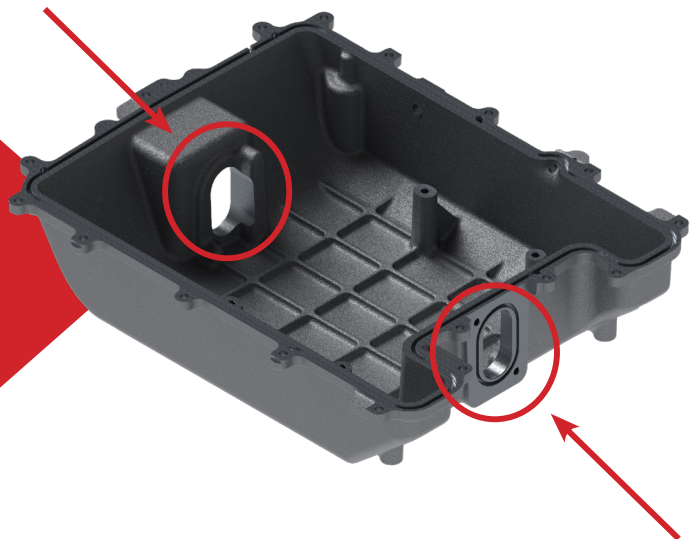
## KIT INCLUDES:

- SUPERCHARGER LID
- LID GASKETS
- STAINLESS STEEL BLOCK OFF PLATE
- INTERCOOLER NOT INCLUDED



**ONLY WORKS WITH CTSV INTERCOOLER BRICK (NOT INCLUDED)**

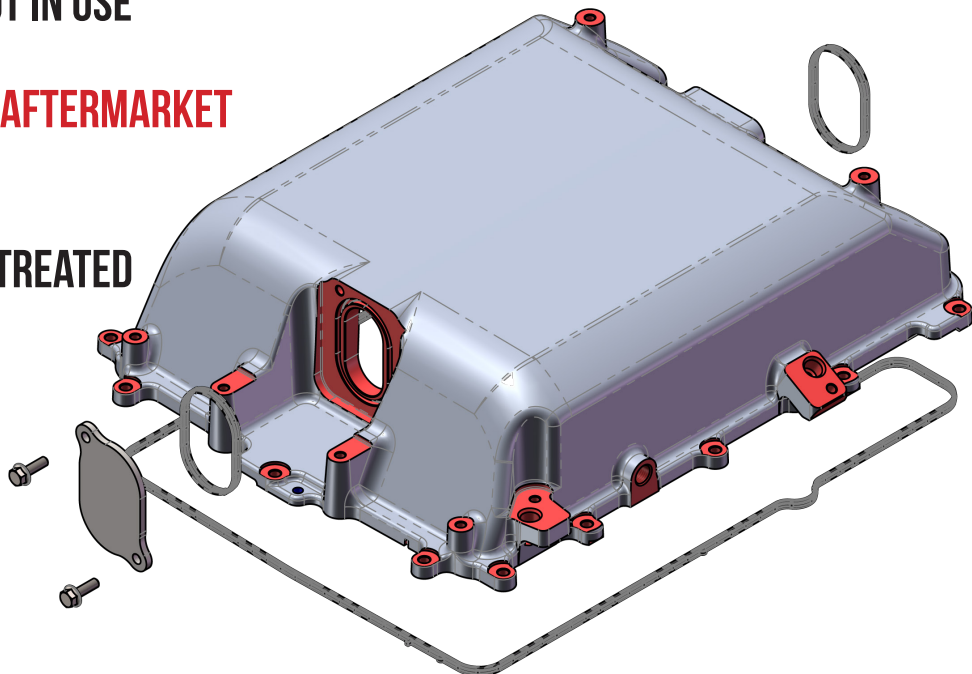
**CAPABLE OF  
FORWARD OR REAR  
FACING  
OUTLET & INLET**



**STAINLESS STEEL BLOCK OFF PLATE BLOCKS  
OFF INTERCOOLER LOCATION NOT IN USE**

**WORKS WITH MOST FACTORY & AFTERMARKET  
LSA SUPERCHARGERS**

**CAST A356 ALUMINUM & HEAT TREATED  
TO T6 FOR ADDED STRENGTH**



**100% CAST & MACHINED  
IN THE USA**

# Supercharger Lid Components

## SUPERCHARGER LIDS

MN-LSX-600394 - LSA Supercharger Lid - Bare - Natural Finish - Forward & Rear Facing

---

MN-LSX-600395 - LSA Supercharger Lid - Bare - Krinkle Black Powder Coat - Forward & Rear Facing

---

### KIT INCLUDES:

- SUPERCHARGER LID
- LID GASKETS
- STAINLESS STEEL BLOCK OFF PLATE
- **INTERCOOLER NOT INCLUDED**

**ONLY WORKS WITH CTSV INTERCOOLER BRICK (NOT INCLUDED)**

## SUPERCHARGER LID COMPONENTS

MN-LSX-600396 - Forward and Rear Facing Intercooler Brick - C&R Aftermarket Brick

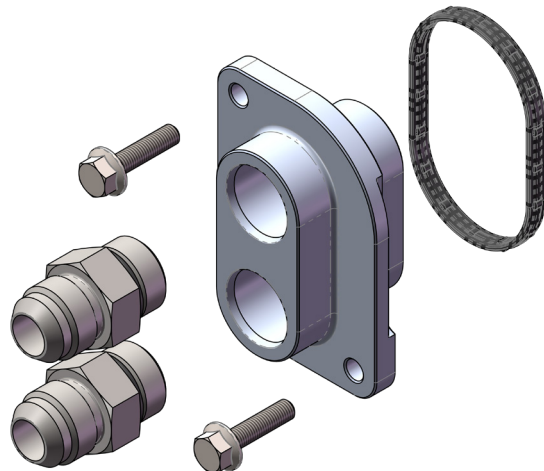
---

MN-LSX-600398 - Rear Facing LSA - Billet Coolant Manifold (-10 ORB to -12 AN Hose)

---



**FORWARD AND REAR FACING  
INTERCOOLER BRICK  
MN-LSX-600396**



**REAR FACING BILLET COOLANT MANIFOLD  
PN: MN-LSX-600398**

FOR FORWARD FACING APPLICATIONS, LID WORKS WITH **GM PART #12622239**