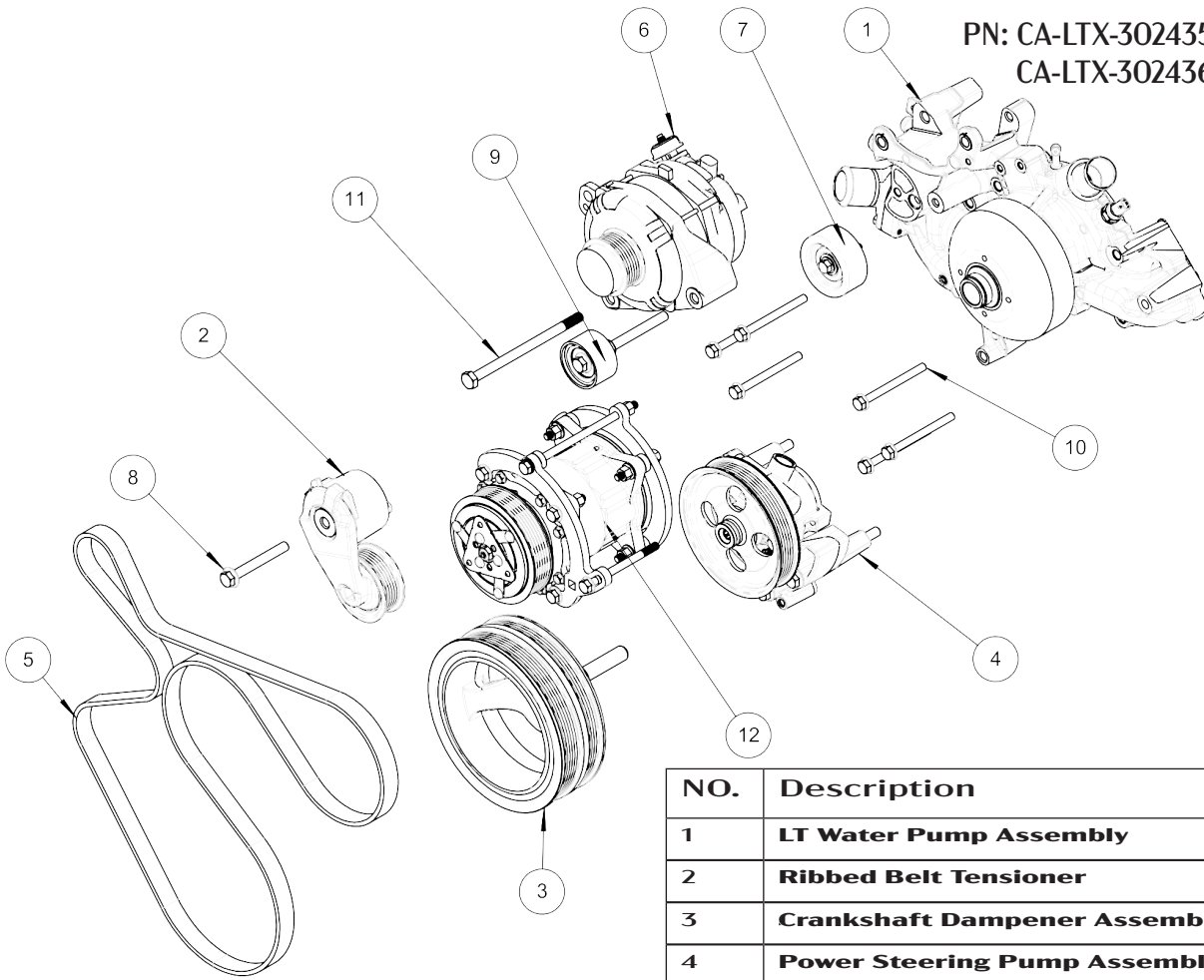


PN: CA-LTX-302435 (Wet Sump)
CA-LTX-302436 (Dry Sump)



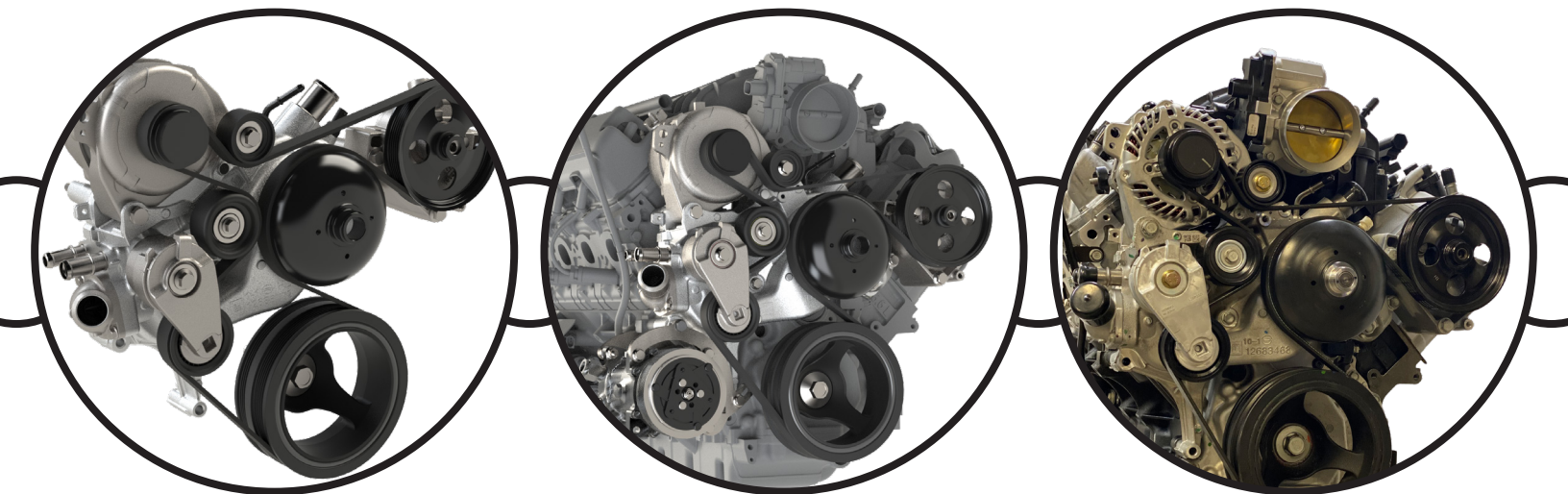
NO.	Description	QTY.
1	LT Water Pump Assembly	1
2	Ribbed Belt Tensioner	1
3	Crankshaft Dampener Assembly	1
4	Power Steering Pump Assembly*	1
5	Serpentine Belt	1
6	LT Alternator Assembly	1
7	Smooth Idler Pulley (70mm) w/ Bolt	1
8	M10x1.5 X 80 Bolt	1
9	Alternator-Mount Pulley Assembly*	1
10	M8x1.25 X 90 Bolt	6
11	M10x1.5 X 160 Bolt	1
12	A/C Compressor Assembly**	1

ASSEMBLY

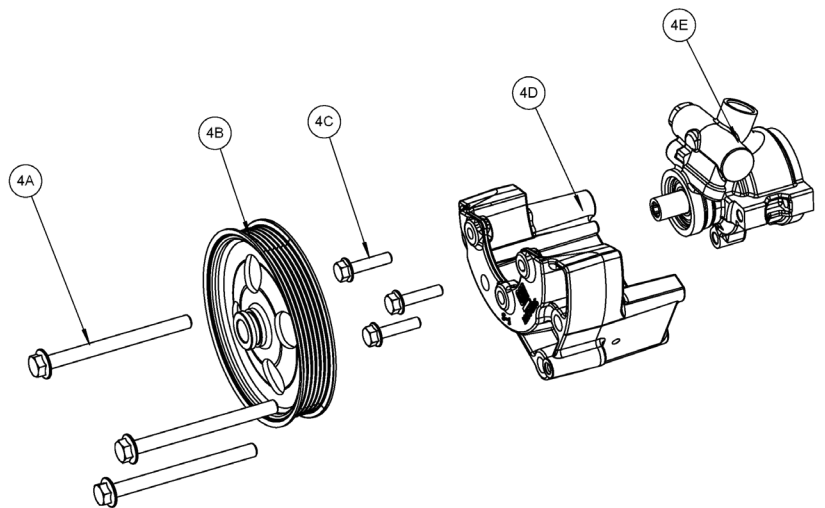
Assemble as instructed above

*All sub-assemblies are diagramed on the back of this sheet.

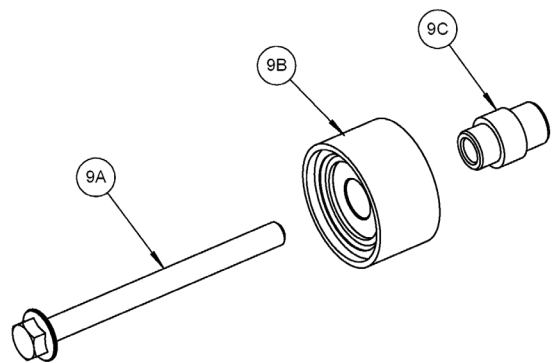
**Optional A/C Compressor Kit Add-On Sold Separately (PN: CA-LTX-302437)



NO.	Description	QTY.
4A	Power Steering Mounting Bolt	3
4B	Power Steering Pump Pulley	1
4C	M8x1.25 X 35 Bolt	3
4D	Power Steering Pump Bracket	1
4E	Power Steering Pump	1



NO.	Description	QTY.
9A	M10x1.5 X 120 Bolt	1
9B	Smooth Idler Pulley (54mm)	1
9C	Idler Pulley Spacer	1



NO.	Description	QTY.
12A	Air Conditioning Compressor	1
12B	Front Mounting Bracket	1
12C	Rear Mounting Bracket	1
12D	Mounting Spacer	5
12E	M8x1.5 X 100 Bolt	1
12F	M8x1.5 X 160 Bolt	1
12G	M8 Flat Washer	1
12H	M8x1.25 Hex Nut	7
12I	M8x1.25 X 40 Bolt	3
12J	M8x1.25 X 50 Bolt	3
Not Pictured	Stretch-Fit Belt	1

