

Full IP65 Flat Touch Monitor

15" (Stainless Design)



Specifications

Model Name	R15L600-65A1FTP				
Viewable Size Image	15"				
Active Display Area(mm)	304.128 (H) x 228.096 (V)				
Pixel Pitch(mm)	0.297(H)x0.297(V)				
Number of Pixels	1024x768				
Contrast Ratio	700:1(typ.)				
Display Color	16.2M(6bit+FRC)				
Brightness(cd/m ²)	400(typ.)				
Viewing Angle(CR>=10)	-80~80 ; -60~80				
Synchronization Range					
Horizontal/Vertical	31.5~60.0KHz/60~75Hz				
Recommended Resolution	1024x768@60Hz, 75Hz				
Signal Connector	15 pin D-Sub				
I/O	3 pin Power cable(IP65 connector); 10 pin VGA cable (IP65 connector); Optional 10 pin RS232 (IP65 connector)				
Power Management	VESA DPMS Compliant				
Plug & Play	VESA DDC 1/2B				
Touch Screen	Projected Capacitive Touch				
Optional video	Yes				
Optional Temperature	-20~65°C				
Certification	CE,FCC,RoHs				
Stainless Material	CNS	JIS	ASTM	AISI	DIM
	304	SUS304	S30400	304	1.4301

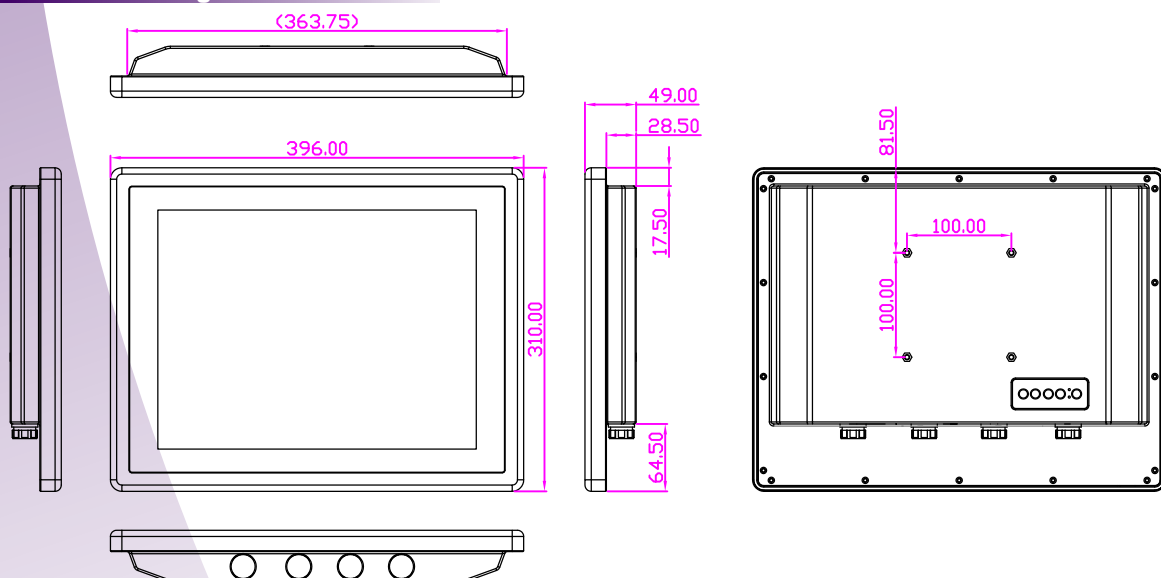


Features

- NEMA 4 IP65 compliant
- Robust and fanless design for reliable operation
- Fanless Colling System and Ultra Low power consumption
- Support Intel Atom N2600 processor
- Stainless Housing suitable for food, and medical industries
- Special Flat Touch Design easy to maintain
- Projective Capacitive Touch (R15ID3S-65A1FTP)

*Due to Panel material's deviation, different panel supplier will set different specific variance range to optical characteristics. The factors of time used, Lamp current, Ambient temperature will influence the optical measurements.

Mechanical Drawing



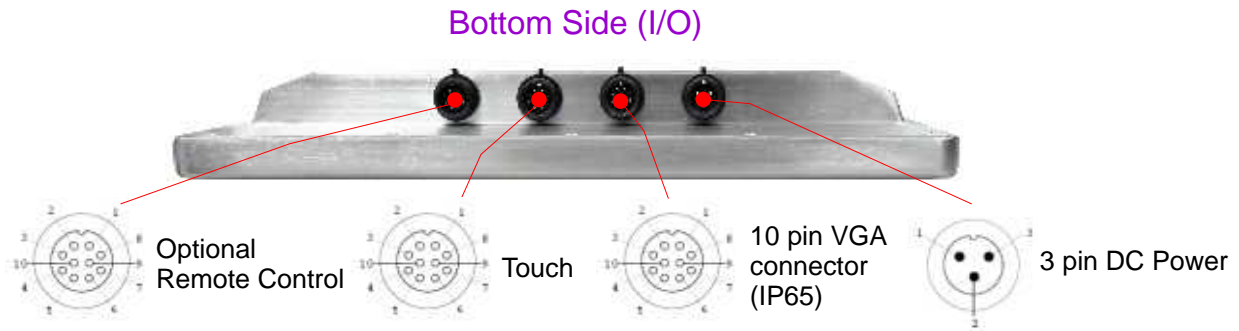
UNIT:mm

* Note: this is a simplified drawing and some components are not marked in detail. Please contact our sales representative if you need further product information.

Rev.	Reasons	Revised Date
1.0	First release	Mar-12-2013
1.1	Spec Change	Apr-23-2013

Full IP65 Flat Touch Monitor

IO Layout

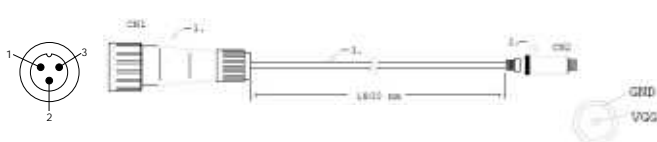


Cable List

LCD	IP65 connector	PC side IO type
DC power	3pin	Female(2.5 fai)
USB(Touch)	10pin	Male(type A)
RS232(optional)	10pin	Female(D-sub 9)
VGA	10pin	Male(D-sub 15)

IP65 Cable/Pin Define

DC Power



Pin No.	Symbols	Color	Pin No.	Symbols	Color
CN1-1	VCC	Red	CN2	VCC	Red
CN1-3	GND	Black	CN1	GND	Black
CN1-2	Shield		Shield		

RS232



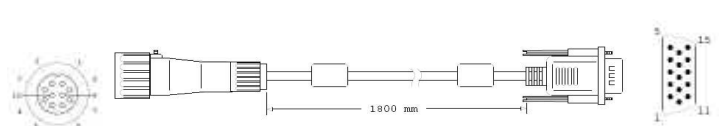
Pin No.	Symbols	Color	Pin No.	Symbols	Color
CN1-1	DCD-CON2	Green	CN2-1	DCD-CON2	Green
CN1-2	DSR-CON2	Brown	CN1-6	DSR-CON2	Brown
CN1-3	RXD-CON2	Red	CN1-2	RXD-CON2	Red
CN1-4	RTS-CON2	Orange	CN1-7	RTS-CON2	Orange
CN1-5	TXD-CON2	Blue	CN1-3	TXD-CON2	Blue
CN1-6	CTS-CON2	White	CN1-8	CTS-CON2	White
CN1-7	DTR-CON2	Purple	CN1-4	DTR-CON2	Purple
CN1-8	RI-CON2	Yellow	CN1-9	RI-CON2	Yellow
CN1-9	GND-CON2	Black	CN1-5	GND-CON2	Black
CN1-10	NC		CN1-10	NC	

USB



Pin No.	Symbols	Color	Pin No.	Symbols	Color
CN1-1	VCC	Red	CN2-1	VCC	Red
CN1-2	D-	White	CN2-2	D-	White
CN1-3	D+	Green	CN2-3	D+	Green
CN1-4	GND	Black	CN2-4	GND	Black
CN1-5	Shield				

VGA



CN1			CN2		
Pin No.	Symbols	Color	Pin No.	Symbols	Color
1	R	Red	1	R	Red
2	R-GND	Black	6	R-GND	Black
3	G	Green	2	G	Green
4	G-GND	Black	7	G-GND	Black
5	B	Blue	3	B	Blue
6	B-GND	Black	8	B-GND	Black
7	SDA	Yellow	12	SDA	Yellow
8	HS	Orange	13	HS	Orange
9	VS	White	14	VS	White
10	SCL	Brown	15	SCL	Brown

Rev.	Reasons	Revised Date
1.0	First release	Oct-12-2012
1.1	Spec Change	Apr-23-2013