

17" Fanless Aluminum IP66 Protection Touch Panel PC with Intel® Core® i5-7200U/i3-7100U Processor



Features

- 17" TFT SXGA LED Panel with Projected Capacitive/Resistive Touch Display
- Embedded Intel® Core® i5-7200U 3.1 GHz Processor
- System Memory up to 32 GB DDR4 2133 SDRAM
- Supports Aluminum Front Cover IP66 Protection
- Internal SATA 2.5" HDD and M.2 Socket
- Panel and VESA Mounting

Applications

- Human Machine Interface (HMI)
- Factory / Manufacturing Automation
- ATM / Self-service / Kiosk Applications
- Vending Machine / Ticketing Machine

→ Packing List

Description
1 x PPC-N177
1 x Power Adapter
1 x Power Cord
12 x Panel Mounting Screws

→ Optional Items

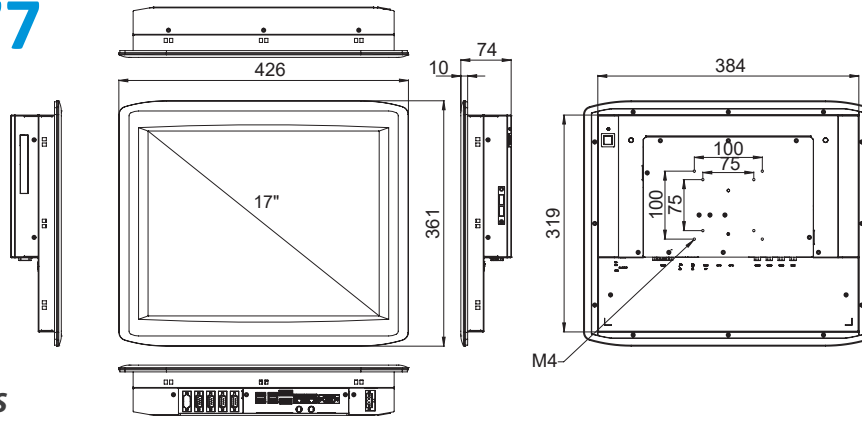
Part No.	Description
AWD-3G002	3G (HSPA+) Module + 1 Antenna, Full-size
AWD-4G001	4G (LTE) Module + 2 Antennas, Full-size
AWD-WF001	Wi-Fi 802.11 bgn (1T1R) + 1 Antenna (Single band), Half-size
AWD-WF003	Wi-Fi 802.11 abgn/ac/BT4.0 (2T2R) Module + 2 Antennas (Dual band), Half-size
AWD-WF004	Wi-Fi 802.11 b/g/n + BT4.0(1T1R) + 2 Antenna(Single band), M.2 2230 Type
AWD-WF005	Wi-Fi 802.11 a/b/g/n/ac/BT4.0 (2T2R) + 2 Antenna(Dual band), M.2 2230 type

→ Ordering Information

Part No.	Description
PPC-N177P-1A1	17" Fanless P-Cap Touch Panel PC with Intel® Core® i5-7200U, 2 DDR4, 2 GbE, 4 USB 3.0, 3 RS-232, 1 RS-232/422/485, 8bits GPIO, line out, mic in, 1 HDMI, 1DP, DC 9~36V, Phoenix Connector
PPC-N177P-2A1	17" Fanless P-Cap Touch Panel PC with Intel® Core® i3-7100U, 2 DDR4, 2 GbE, 4 USB 3.0, 3 RS-232, 1 RS-232/422/485, 8bits GPIO, line out, mic in, 1 HDMI, 1DP, DC 9~36V, Phoenix Connector
PPC-N177R-1A1	17" Fanless 5-wire Resistive Touch Panel PC with Intel® Core® i5-7200U, 2 DDR4, 2 GbE, 4 USB 3.0, 3 RS-232, 1 RS-232/422/485, 8bits GPIO, line out, mic in, 1 HDMI, 1DP, DC 9~36V, Phoenix Connector
PPC-N177R-2A1	17" Fanless 5-wire Resistive Touch Panel PC with Intel® Core® i3-7100U, 2 DDR4, 2 GbE, 4 USB 3.0, 3 RS-232, 1 RS-232/422/485, 8bits GPIO, line out, mic in, 1 HDMI, 1DP, DC 9~36V, Phoenix Connector

PPC-N177

→ Dimensions



→ Specifications

Model		PPC-N177P-1A1	PPC-N177P-2A1	PPC-N177R-1A1	PPC-N177R-2A1
Processor System	CPU	Intel® Core® i5-7200U	Intel® Core® i3-7100U	Intel® Core® i5-7200U	Intel® Core® i3-7100U
	Frequency	Dual-Core up to 3.1GHz	Dual-Core up to 2.4GHz	Dual-Core up to 3.1GHz	Dual-Core up to 2.4GHz
	L2 Cache	3 MB			
	System Chipset	N/A			
	BIOS	UEFI			
Memory	Technology	DDR4 2133 MHz SDRAM			
	Max. Capacity	32 GB			
	Socket/ (On Board)	2, (260-pin SO-DIMM)			
Display	Panel Size	17" Panel			
	Aspect Ratio	4:3			
	Resolution	1280 x 1024 (SXGA)			
	Viewing Angle	85 x 85 (H) x 80 x 80 (V)			
	Brightness	350 (cd/m2)			
	Contrast Ratio	1000:1			
	VGA / HDMI / DP / DVI	1, DP 1.2, Up to 3840 x 2160 @ 60Hz/ 1, HDMI 2.0a, up to 4096 x 2160 @ 60Hz			
Touchscreen	Multi Display	LCD + DP or LCD + HDMI			
	Touchscreen Type	Projected Capacitive		5-Wire Resistive	
	Surface Hardness	7 Mohs		3 Mohs	
	Durability	-		36 millions times	
I/O Interface	Transparency	90% (±3%)		80% (±3%)	
	USB	4, USB 3.0			
	Serial Port	4, COM (3 RS-232, 1 RS-232/422/485)			
	Digital I/O	1, 8-pin Digital I/O (DB-9 connector)			
Expansion	Ethernet	Dual GbE, 10/100/1000 Mbps (Intel i219V, i211AT)			
	Others	-			
Audio	miniPCIe/ M.2 Slot	1, miniPCIe with SIM, 1, M.2 2230 A/E Key (WiFi & BT)			
	PCI/ PCIe Slot	-			
Storage	Connector	Line out, Mic In, Realtek High Definition Audio (HD)			
	HDD/SSD	1, Internal 2.5" HDD/SSD, Swappable HDD Box (Option), Support RAID 0/1 (Option)			
Power	mSATA/ M.2 / eMMC	Supports 1 M.2 B/M Key 2280			
	Power On Model	AT/ATX			
	Power Supply Voltage	Supports 9-36 V DC input			
	Connector Type	2-pin Terminal Block			
	Power Consumption(Typical/Max.)	1.37A @ 12V (16.5 W), 6 @ 12V (72W)			
Mounting	Battery	CR2032;3.3V			
	VESA Mount	M4 Screw 100x100 mm(3.94"x 3.94") or 75x75mm(2.96"x 2.96")			
	Panel Mount	Cut out 386*321 mm mm, Thickness range under 3~12mm			
Environment	Others	-			
	Operating Temperature	-20~60° C (-4~140° F) w/ Extended Operation Temp. RAM & 2.5" SSD			
	Storage Temperature	-40~85° C (-40~185° F)			
	Humidity	5~95% @ 40° C, non-condensing			
	Vibration	1 Grms, IEC 60068-2-64, random, 5~500 Hz, 1 Oct/min., 1hr/axis, x, y, z 3 axes			
General	Shock	20 G, IEC 60068-2-27, half sine, 11 ms duration			
	Certification	CE,FCC Class A			
	Thermal Dissipation	Fanless			
	Material, Surface Finish	Aluminum Front Cover			
	Ingress Protection	Front Cover IP66 Protection			
	Dimensions (L x W x H)	426 x 361 x 74mm (16.78"x14.22"x2.72")			
	Net Weight	4.86kg (10.714lb)			
Operating System	Windows 10 IoT 64Bit, Linux kernel 4.0.x or above				