

Datasheet

# 2.5" PATA SSD

## 1SR-P series

- Compliant with MIL-STD-810-F/G
- Data security (QEraser/ SEraser/ Destroy/ Write Protect)
- High random R/W performance
- iSMART disk health monitoring
- Intelligent error recovery system
- Enhanced power cycling management
- iCell technology for data protection
- Conformal coating (optional)



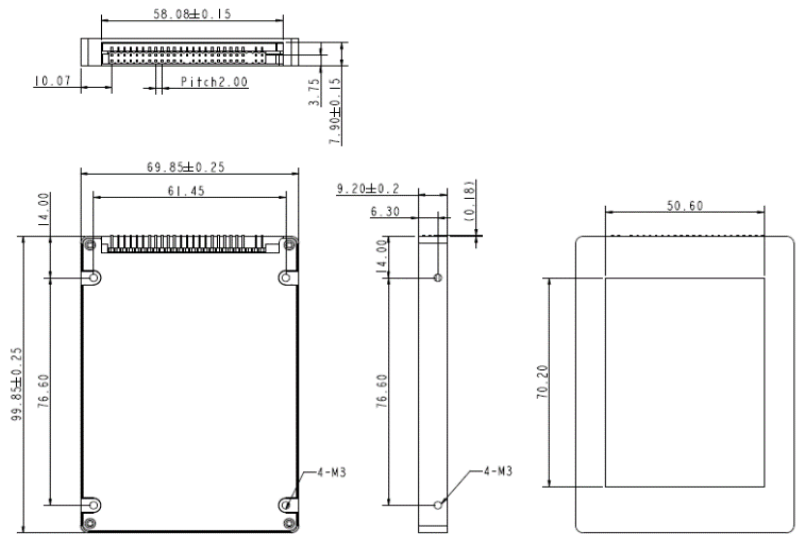
### Introduction

Innodisk 2.5" PATA SSD 1SR-P complies with ATA 7 standard, and supports Ultra DMA (0-5) and PIO (0-4) transfer modes, which delivers good performance and reliability making it the ideal solution for a variety of applications, including embedded system, industrial computing, and mission critical applications. Especially, it comes with several data security functions, including QEraser/ SEraser/ Destroy and also Write Protect. All the security functions can be triggered both by hardware and software approaches. 2.5" PATA SSD 1SR-P is compliant with MIL-STD-810F/G standards. 2.5" PATA SSD 1SR-P not only performs unmatched performance, but also designed with Innodisk owned technical knowhow to ensure the data integrity and highest levels of reliability.

# 2.5" PATA SSD

## 1SR-P series

### Drawing



Contact us for more information about the 2.5" PATA SSD 1SR-P

Innodisk is a service-driven provider of industrial embedded flash and DRAM storage products and technologies, with a focus on the industrial/embedded, aerospace and defense, and cloud computing industries.

## Specifications

Interface	PATA
Flash Type	SLC
Flash P/E Cycle Limit	100,000
Capacity	8GB~256GB
Max. Channels	4
Sequential R/W (MB/sec, max.)	90 / 90
Max. Power Consumption	2.5 W (5V x 500 mA )
Thermal Sensor	√
External DRAM Buffer	√
H/W Write Protect	Optional
ATA Security	√
S.M.A.R.T.	√
Dimension (WxLxH)	69.85 X 99.85 X 9.20 mm
Environment	Vibration: 20G @7~2000Hz Shock: 1500G @ 0.5ms Storage Temperature: -55°C ~ +95°C MTBF: 3 million hours

### Headquarters (Taiwan)

9F., No.100, Sec. 1, Xintai 5th Rd.,  
Xizhi Dist., New Taipei City,  
Taiwan (R.O.C.)  
Tel: +886-2-26963000  
Email: sales@innodisk.com

### Branch Offices:

USA  
[usasales@innodisk.com](mailto:usasales@innodisk.com)  
+1-510-770-9421  
Europe  
[eusales@innodisk.com](mailto:eusales@innodisk.com)  
+31-040-282-1818  
Japan  
[jpsales@innodisk.com](mailto:jpsales@innodisk.com)  
+81-45-594-7581  
China  
[sales\\_cn@innodisk.com](mailto:sales_cn@innodisk.com)  
+86-755-21673689  
[www.innodisk.com](http://www.innodisk.com)

© 2012 Innodisk Corporation.  
All right reserved. Specifications  
are subject to change without  
prior notice.

## Ordering Information

Operation Temp.	8GB	16GB	32GB	64GB	128GB	256GB
Standard Grade (0°C ~ +70°C)	DRP25-08GD67AC1QB	DRP25-16GD67AC1QB	DRP25-32GD67AC1QB	DRP25-64GD67AC1QB	DRP25-A28D67AC1QB	DRP25-B56D67AC1QB
Industrial Grade (-40°C ~ +85°C)	DRP25-08GD67AW1QB	DRP25-16GD67AW1QB	DRP25-32GD67AW1QB	DRP25-64GD67AW1QB	DRP25-A28D67AW1QB	DRP25-B56D67AW1QB

innodisk

[www.innodisk.com](http://www.innodisk.com)