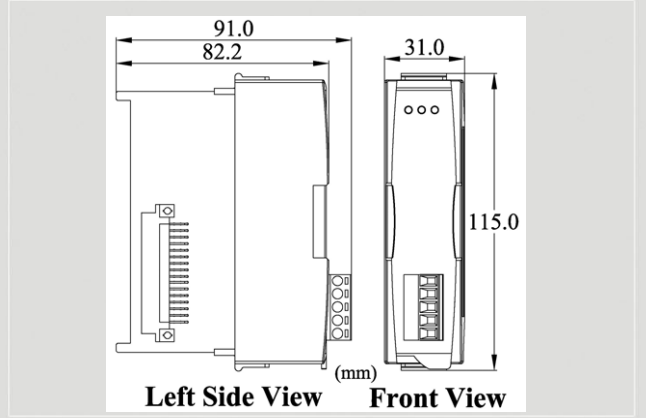


1 Port High Performance CANopen Slave Module



I-8123W-CPS



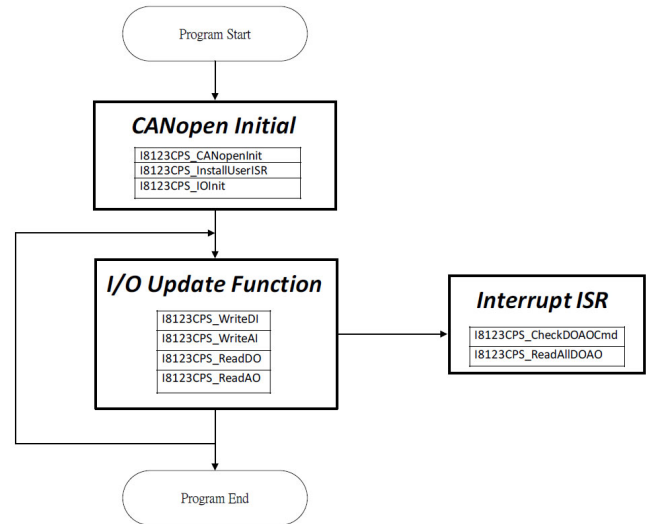
Dimensions

The I-8123W-CPS follows CiA-301 V4.02 CANopen specification. It is a high price/performance CANopen slave. With the ViewPAC or WinPAC series MCU (main control unit), it can be generally applied in the industrial automation, building automation, vehicle and embedded control network. Besides, owing to the feature of building the CANopen protocol firmware inside, user can easily access the slave I/Os without studying or dealing the complex CANopen protocol. It is helpful to reduce the development cycle time and let users set up their CANopen application more quickly and easily

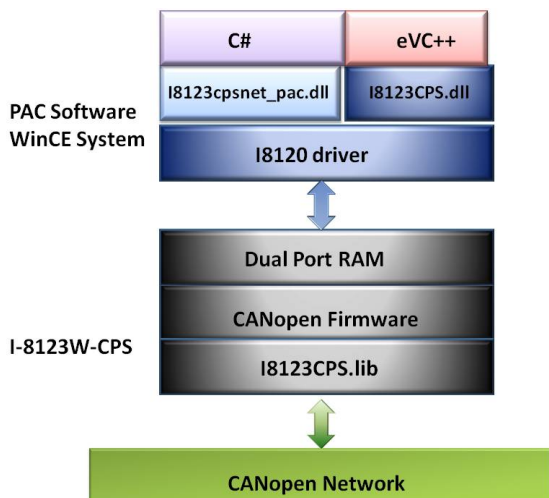
Features

- CANopen version: DS-301 V4.02
- Support Node Guarding and Heartbeat Consumer error control. protocol
- Provide EMCY and NMT Error Control interrupt service function
- Provide Dynamic PDO, acyclic and cyclic transmission
- Support ViewPAC, WinPAC and XPAC series MCU

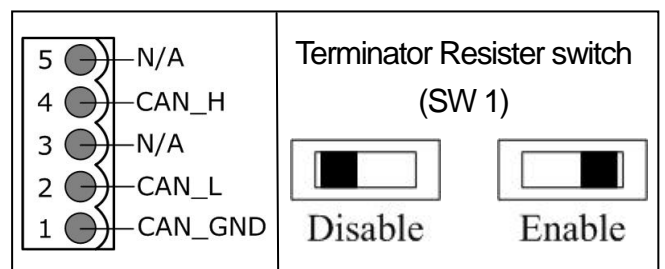
Application Flowchart



I-8123W-CPS Architecture



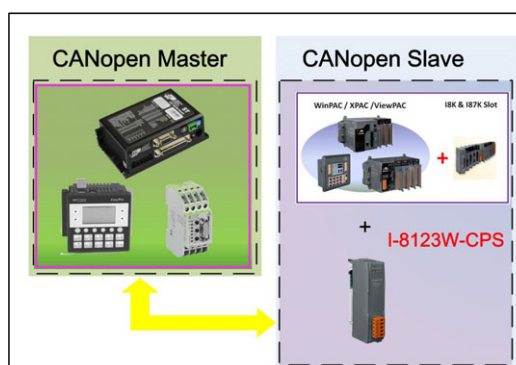
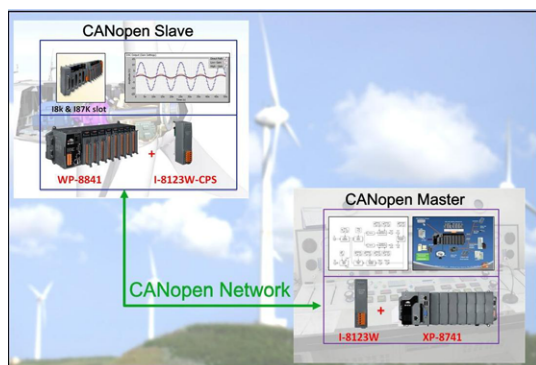
CAN Pin & Terminator Resistor



Hardware Specifications

Hardware	
CPU	80186, 80 MHz or compatible
SRAM/Flash/EEPROM	512 KB / 512 KB / 16 KB
Module Watchdog	Watchdog IC (0.8 seconds)
CAN Interface	
Controller	NXP SJA1000T with 16 MHz clock
Transceiver	NXP 82C250
Channel number	1
Connector	5-pin screwed terminal block (CAN_GND, CAN_L, CAN_H, N/A for others)
Baud Rate (bps)	10 k, 20 k, 50 k, 125 k, 250 k, 500 k, 800 k, 1 M
Transmission Distance (m)	Depend on baud rate (for example, max. 1000 m at 50 kbps)
Isolation	3000 V _{DC} for DC-to-DC, 2500 Vrms for photo-couple
Terminator Resistor	Switch for 120 Ω terminator resistor
Specification	ISO-11898-2, CAN 2.0A and CAN 2.0B
Protocol	CANopen DS-301 ver4.02
Bus Interface	
Type	Parallel I/O module
LED	
Round LED	PWR LED, RUN LED, ERR LED
Software	
Supported Platform	ViewPAC, WinPAC, XPAC
SDK	eVC++4.0, VB.Net 2005, C#.Net 2005
Power	
Power Consumption	2 W
Mechanism	
Dimensions	31mm x 91mm x 115mm (W x L x H)
Environment	
Operating Temp.	-25 ~ 75 °C
Storage Temp.	-30 ~ 80 °C
Humidity	10 ~ 90% RH, non-condensing

Applications



Ordering Information

I-8123W-CPS	One port high performance intelligent CANopen slave interface module.
--------------------	---