



## FRM220A-FSW103

**3x 10/100Base-TX + 100Base-FX SFP Ethernet Switch**

The FRM220A-FSW103 is a 3-Port 10/100Base-T(X) to 100Base-FX SFP fiber slide-in card Ethernet switch designed for central and remote applications. With SNMP and Web-based management in the FRM220 or FRM220A chassis, the network administrator can monitor, configure and control the activity of each FRM220A-FSW103 switch card locally via the SNMP manager. This switch can be completely controlled and monitored from a centrally located managed rack controlling all switch settings including duplex and speed configuration. This switch is completely transparent to Layer 2 and Layer 3 protocols including IEEE 802.1q, VLAN tag, Q in Q, STP, IPX, IP, etc

### Features

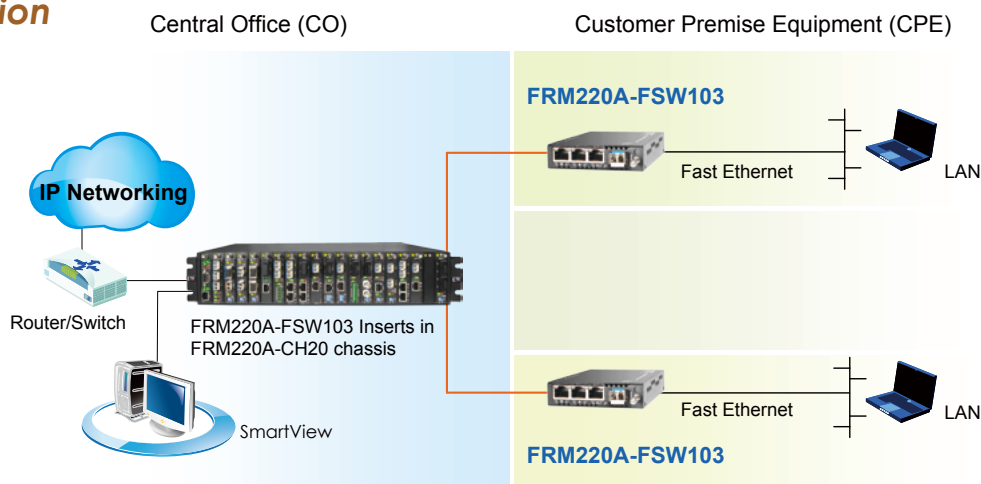
- 3-Port 10/100Base-TX + 1-Port 100Base-FX Ethernet Switch
- Auto-Cross over for MDI/MDIX in TP port
- Auto-Negotiation or manual mode in TP port
- Supports flow control
- Forward 1552 bytes (max.) packets in switch mode
- Supports Store and forward switch mode
- Supports FRM220 chassis management system
- Supports FRM220A chassis management system and Ethernet Aggregation
- Supports local management (Monitor or Configure status) by the SNMP manager.
- Supports D/D function for SFP fiber transceiver
- Provides Auto Laser Shutdown (ALS) function
- Provides Product information for management
- Supports On-Line F/W upgrade (local) by the SNMP manager

### Specifications

Optical Interface	Connector	SFP LC
	Data rate	125Mbps
	Duplex mode	Full duplex
	Fiber	MM 50/125µm, 62.5/125µm SM 9/125µm
	Distance	MM 2km, SM 15/30/50/80/120km, WDM 20/40/60/80km
	Wavelength	MM 1310nm, SM 1310,1550nm WDM 1310Tx/1550Rx (type A) 1550Tx/1310Rx (type B)
Electrical Interface	Connector	RJ45
	Data rate	10Mbps, 100Mbps
	Duplex mode	Half / Full duplex
	Cable	10Base-T Cat.3, 4, 5, UTP 100Base-TX Cat.5, 5e or higher

<b>Standard</b>	IEEE 802.3, IEEE 802.3u
<b>Indications</b>	LED (Power, FEF, FX-Link, TX-SPD, TX-Duplex, TX-Link)
<b>Power Input</b>	Card : 12VDC Standalone : AC, DC options
<b>Power Consumption</b>	< 4W
<b>Dimensions</b>	155 x 88 x 23mm (D x W x H)
<b>Weight</b>	130g
<b>Temperature</b>	0 ~ 80°C (Operating), -10 ~ 80°C (Storage)
<b>Humidity</b>	5 ~ 90% non-condensing
<b>Certification</b>	CE, FCC, LVD, RoHS
<b>MTBF</b>	65,000 hrs

### Application



### Ordering Information

Model Name	Description
FRM220A-FSW103	3-Port 10/100Base-T(X) to 100Base-FX SFP Switch, (optional SFP)

**Note:** The card is suitable for use in CH01 standalone chassis.