



## I-8048W-G

8-channel Digital Input Module

### Features

- 8-channel Digital Input
- Isolated or Non-isolated TTL Input Jumper Selectable
- Rising/Falling-edge Interrupts Programmable
- Dry and Wet Contact, Selectable via Wire Connections
- Photocouple-isolation protection
- ±4 kV ESD Protection
- 3750 Vdc Intra-module Isolation
- Wide Operating Temperature Range: -25 ~ +75 °C



### Introduction

The I-8048W offer 8 channels for digital input, each of which features Photocouple-isolation protection. Either Sink Type or Source Type Input input can be selected via wire connections. All channels have 4 kV ESD protection and 3750 VDC intra-module isolation.

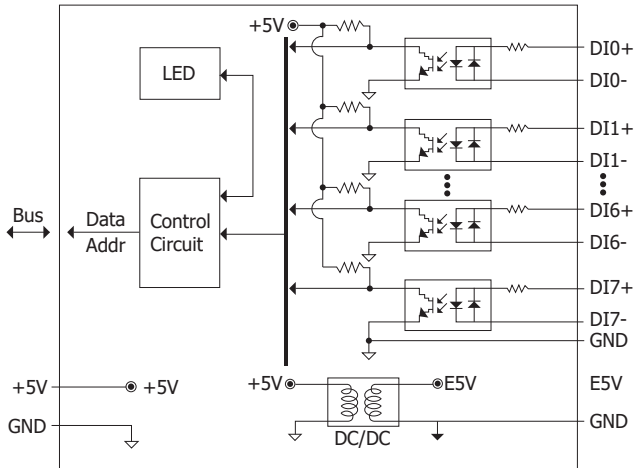
### System Specifications

LED Indicators/Display	
System LED Indicators	1 LED as Power Indicator
I/O LED Indicator	8 LEDs as Digital Input Indicators
Isolation	
Intra-module Isolation, Field-to-Logic	3750 Vdc
EMS Protection	
ESD (IEC 61000-4-2)	±4 kV Contact for Each Terminal
Power	
Power Consumption	1.75 W max.
Mechanical	
Dimensions (W x L x H)	30 mm x 102 mm x 115 mm
Environment	
Operating Temperature	-25 ~ +75 °C
Storage Temperature	-40 ~ +85 °C
Humidity	10 ~ 90% RH, Non-condensing

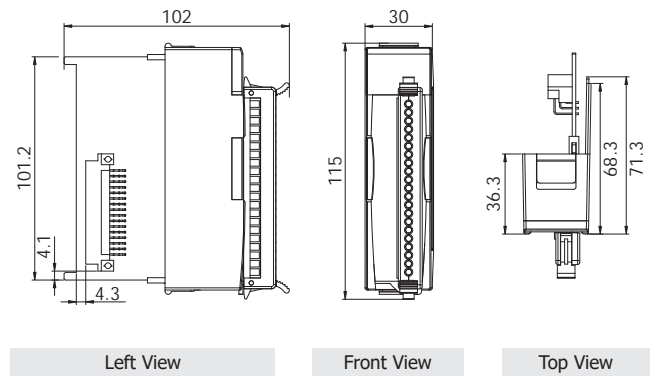
### I/O Specifications

Digital Input		
Channels	8	
Type	Dry + Wet Contact	
Sink/Source (NPN/PNP)	Sink/Source	
Wet Contact	ON Voltage Level	Isolated: +4 ~ +30 VDC Non-Isolated: 0 ~ +0.8 VDC
	OFF Voltage Level	Isolated: 0 ~ +1 VDC Non-Isolated: +2 ~ +5 VDC
Input Impedance	2.4 kΩ, 0.5 W	
Digital Input/Counter		
Interrupts	8 (DI0 ~ DI8) Trigger type: Rising/falling edge programmable for each channel Max. Interrupt frequency: 10 KHz Max.	

## Internal I/O Structure



## Dimensions (Units: mm)

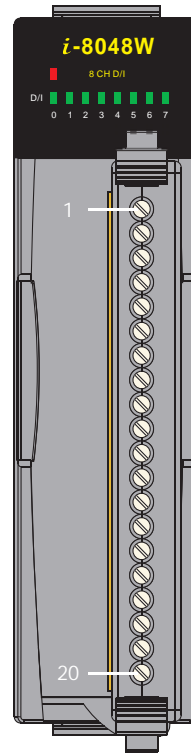


## Wire Connections

Isolated		
Input Type	ON State LED ON Readback as 0	OFF State LED OFF Readback as 1
Relay Contact	Relay ON 	Relay OFF 
TTL/ CMOS Logic	Voltage < +4 V Logic Power Logic Level Low 	Voltage > +4 V Logic Power Logic Level High 
NPN Output	Open Collector ON 	Open Collector OFF 
PNP Output	Open Collector ON 	Open Collector OFF 

Non-Isolated		
Input Type	ON State LED ON Readback as 0	OFF State LED OFF Readback as 1
Relay Contact	Relay ON 	Relay OFF 
TTL/ CMOS Logic	Voltage < 0.8 V Logic Level Low Logic GND 	Voltage > +2 V Logic Level High Logic GND 
Open Collector	Open Collector ON 	Open Collector OFF 

## Pin Assignments



Terminal No.	Pin Assignment
01	GND
02	-
03	IN 0+
04	IN 0-
05	IN 1+
06	IN 1-
07	IN 2+
08	IN 2-
09	IN 3+
10	IN 3-
11	IN 4+
12	IN 4-
13	IN 5+
14	IN 5-
15	IN 6+
16	IN 6-
17	IN 7+
18	IN 7-
19	E5V
20	EGND

## Ordering Information

<b>I-8048W-G CR</b>	8-channel Digital Input with Interrupt Module (Gray Cover) (RoHS)
---------------------	---