

AR-PA8XXFL-E3845/N2930

Features

- 15"/17"/21" Industrial Compact Size Panel PC
- Flat front panel touch screen
- Fanless design
- Intel Bay Trail N2930(1.83GHz) CPU built-in/E3845(1.91GHz) for option
- Onboard 2GB DDR3L-1600MHz / 4GB(option)
- 9~36VDC wide-ranging power input
- IP65 compliant front panel
- Optional projected capacitive touchscreen support 7H anti-scratch surface



Specification

Model Name	AR-PA815(P)FL-E3845 / N2930	AR-PA817(P)FL-E3845 / N2930
System		
CPU	Onboard Intel Bay Trail N2930(1.83GHz) Processor / E3845(1.91GHz) for option	
System Chipset	Intel Bay Trail SoC	
System Memory	Onboard 2GB DDR3L-1600MHz / 4GB(option)	
Display		
Display Type	15" color TFT LCD	17"
Max. Resolution	1024 x 768	1280 x 1024
Max. Color	262 K	16.2 M
Luminance (cd/m ²)	350	350
Contrast Ratio	800 : 1	1000 : 1
View angle(H°/V°)	H:160° / V:145°	H:160° / V:170°
Backlight Lifetime	50,000 hrs	30,000 hrs
Touch screen		
Type	Resistive Touch Windows / Projected Capacitive Touch(For P Model)	
Interface	USB	
Light Transmission	Resistive Touch Windows: 80% / Projected Capacitive Touch: 90%	
I/O Port		
USB	1 x USB 2.0 type A + 1 x USB 3.0 type A	
Serial/Parallel	1 x RS-232 DB-9(COM2) + 1 x DB-9 RS-232/422/485 (Default RS-232)(COM1)	
Audio/HDMI	1 x Audio Line Out / 1 x HDMI Port (Reserved, no printing)	
LAN	2 x GbE LAN RJ-45	
Power	1 x 3-pin DC Power input terminal + 1 x 2-pin connector for power on/off button	
Option	(Only for AR-PA815(P)FL, AR-PA817(P)FL) 2 x RS-232 DB-9 + 1 x mini PCIe slot via TB-528C2ME1 2 x CAN bus via TB-528CAN2 2 x USB 2.0 type A Via TB-528U2 2 x USB 2.0 type A + 1 x mini PCIe slot + 1 x RS-232 DB-9 via TB-528C1U2P1 for AR-PA815(P)FL 2 x USB 2.0 type A + 1 x mini PCIe slot + 1 x RS-232 DB-9 via TB-528C1U2P1	
Storage		
HDD	1 x 2.5" SATA HDD bay for SATA HDD (Easy Accessible)	
Movable device	1 x SD card slot, up to 32GB	
Software		
OS Support	Windows Embedded Compact 7, Windows Embedded Standard 7, Windows Embedded 8 Standard, Windows Embedded 8.1 Industry	

Expansion

On board expansion bus 1 x Internal mini PCIe slot (full size)

Power Requirement

Power Input 9~36V DC
 Power Consumption Max:17.8W | Max:20.3W / 18.1W(P)

Mechanical

Chassis Color RAL 9007
 Front Bezel Metal Aluminum / Panel Mounting
 Rear Panel Metal Aluminum / VESA Mount 100 x 100
 IP Rating IP65 Compliant Front Panel
 Dimension (mm) 410 x 310 x 54.7 | 412 x 277.5 x 60.4
 Net Weight (KG) 4.4 Kg | 4.8 Kg

Environmental

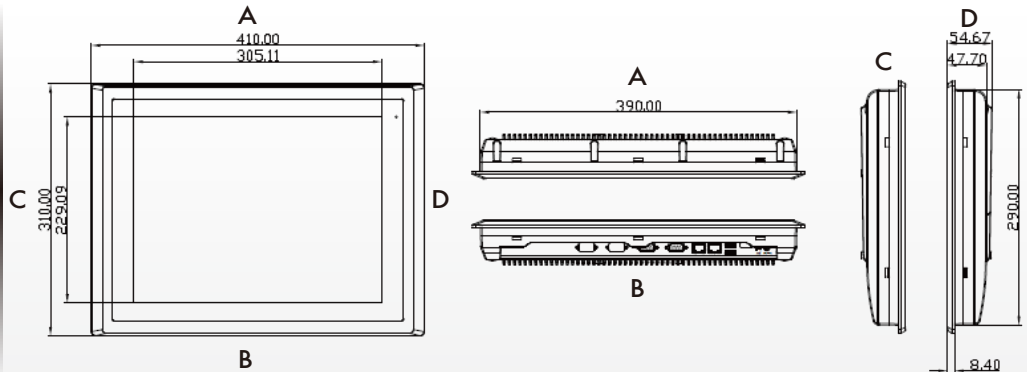
Operating temperature(°C) 0~50°C
 Storage temperature(°C) -20~60°C
 Storage humidity 10 to 90% @ 40°C, non- condensing
 Certification CE, FCC CLASS A, CB, UL

Ordering Information

AR-PA815(P)FL 15.6" WXGA Fanless HMI barebone with Intel N2930 / E3845 CPU, 2GB DDR3 RAM, Resistive touch screen / Projected Capacitive touch screen, 9~36V DC input with adapter Aluminum chassis
 AR-PA817(P)FL 17" SXGA Fanless HMI barebone with Intel N2930 / E3845 CPU, 2GB DDR3 RAM, Resistive touch screen / Projected Capacitive touch screen, 9~36V DC input with adapter Aluminum chassis

Dimension

AR-PA815(P)FL



AR-PA817(P)FL

