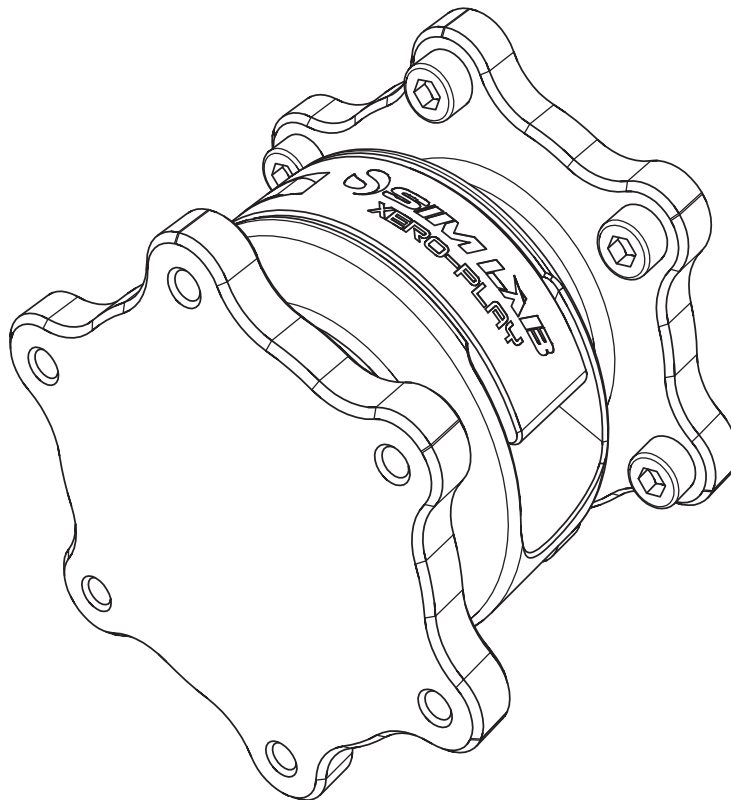


XERO-PLAY™

Steering Wheel Quick Release

INSTRUCTION MANUAL



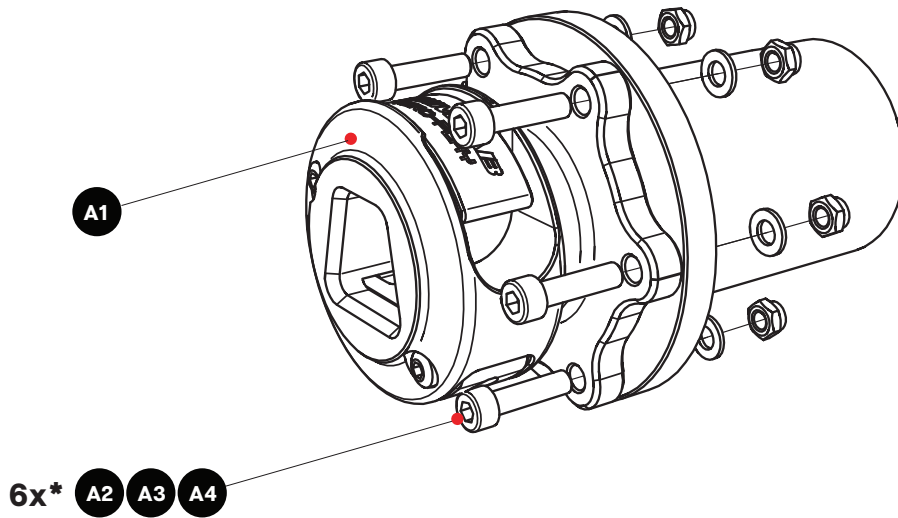
SKU: **SLA108** **SLA109** **SLA110** **SLA111** **SLA112** **SLA113** **SLA114**

<https://sim-lab.eu/shop/product/xero-playtm-steering-wheel-quick-release-1255>
info@sim-lab.eu



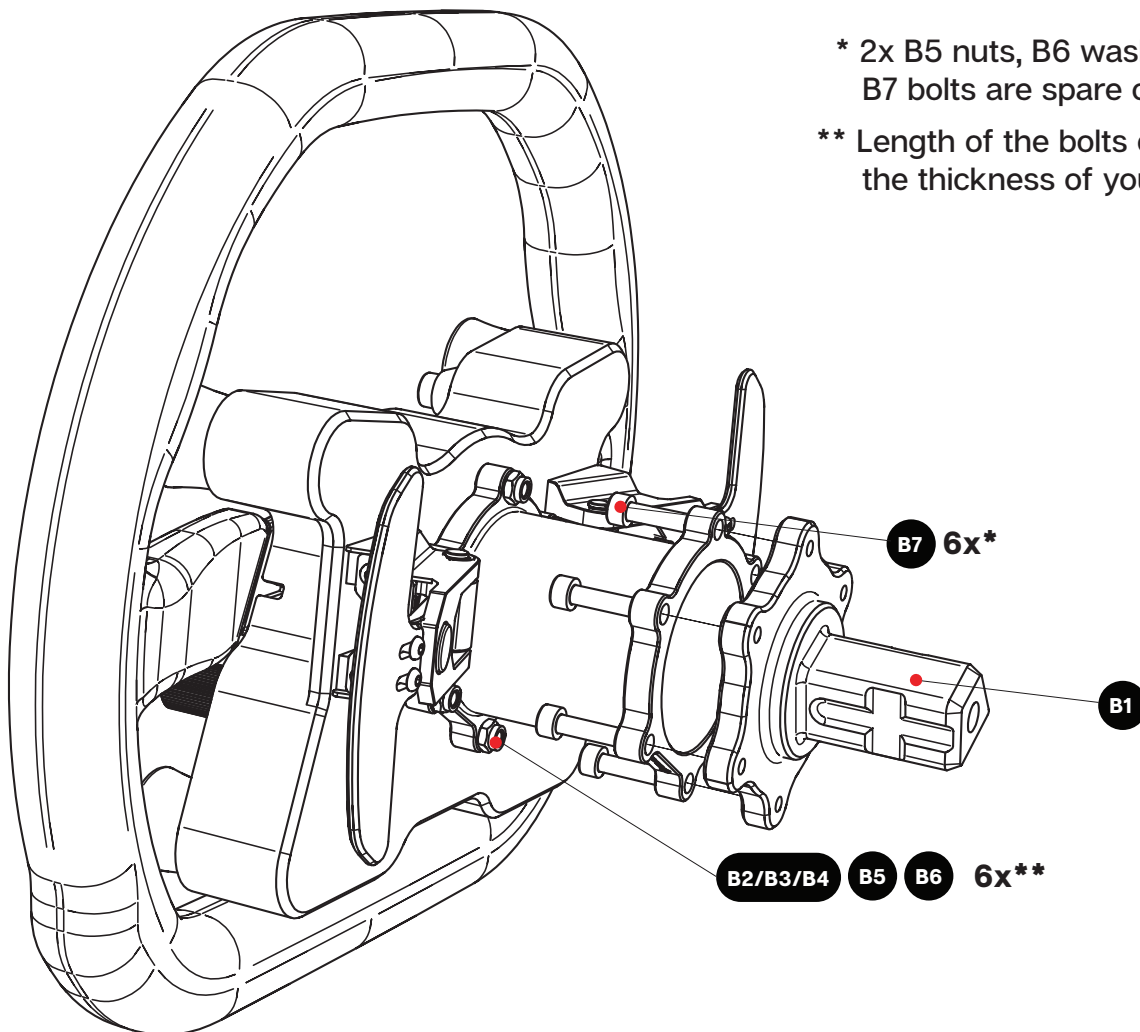
STEP 1

Mounting base side adapter



STEP 2

Mounting wheel side adapter



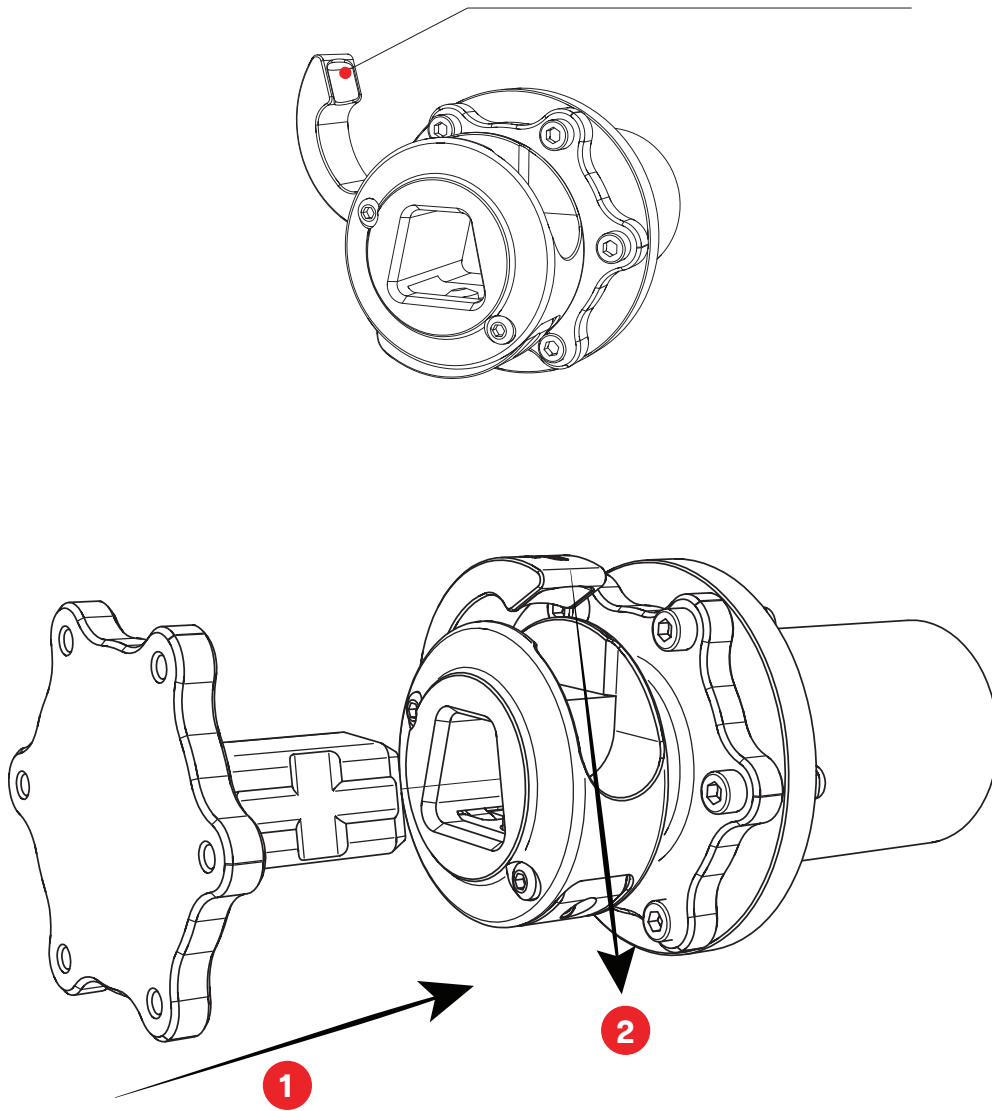
* 2x B5 nuts, B6 washers and B7 bolts are spare ones

** Length of the bolts depends on the thickness of your wheel.

STEP 3

Connecting wheel side and base side adapters

Ensure that the quick release lever is unlocked



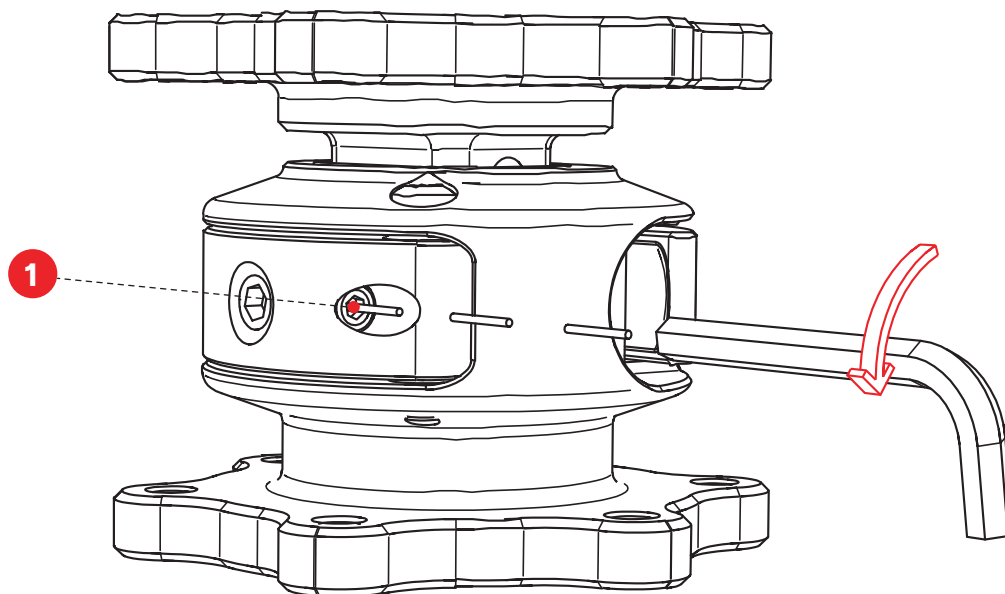
- 1 Insert wheel side into the base side
- 2 Lock the lever



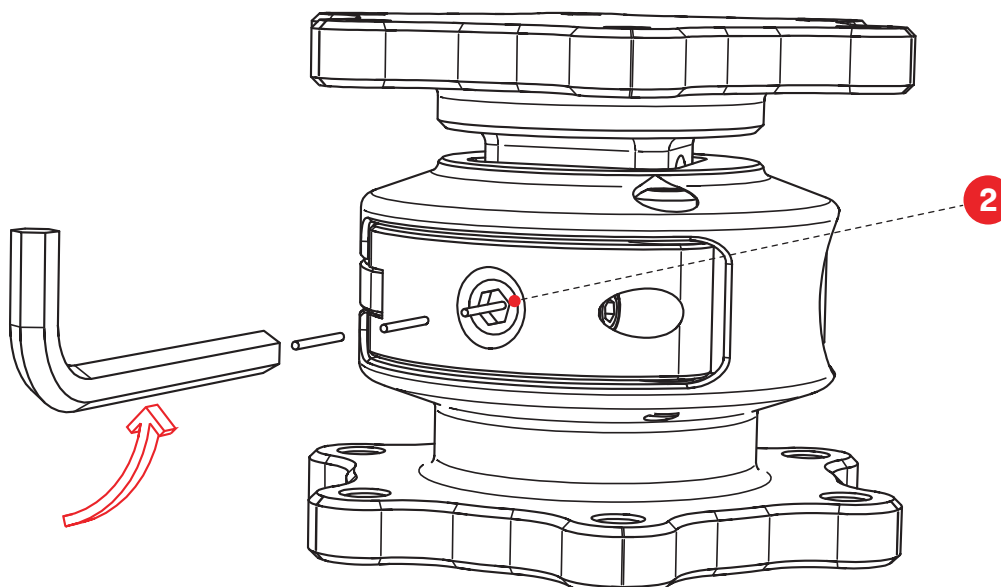
Follow **STEP 4** only if the grip is slack or the lever can't be closed.

STEP 4

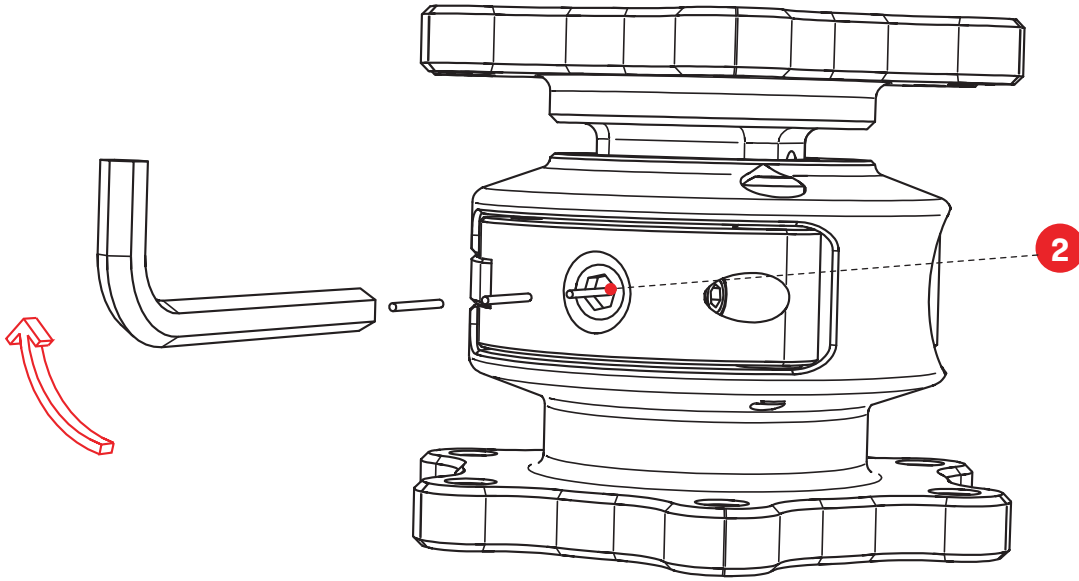
Adjusting the grip (follow only if necessary)



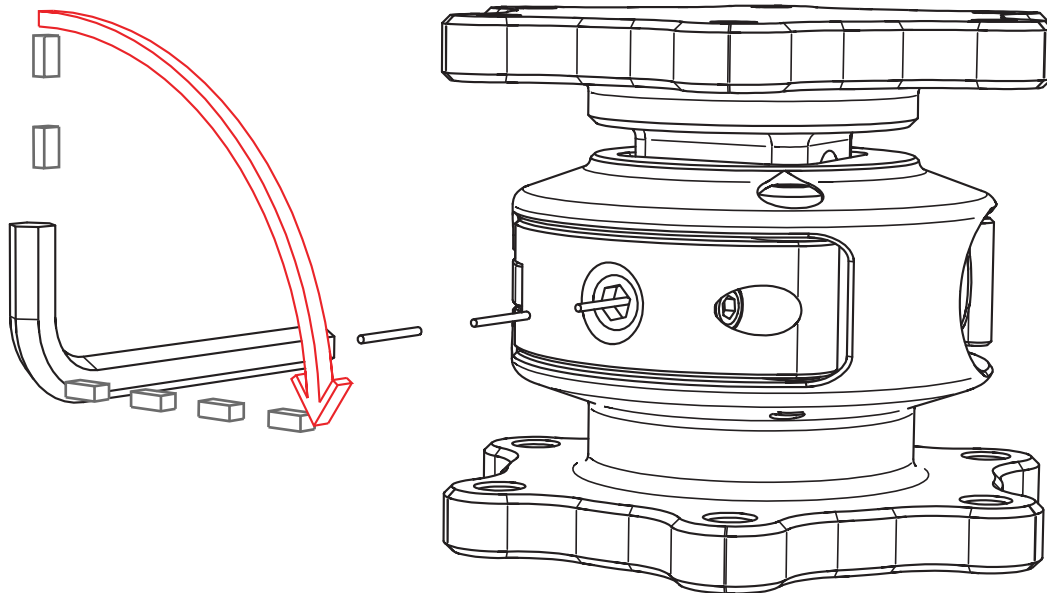
Loosen locking screw **1**



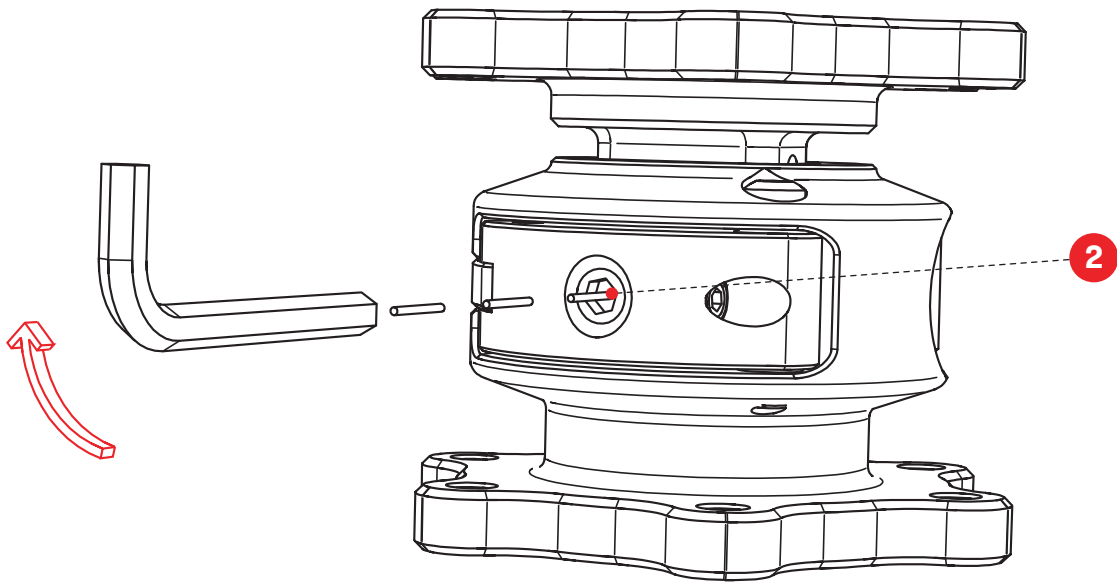
Loosen adjustment screw **2**



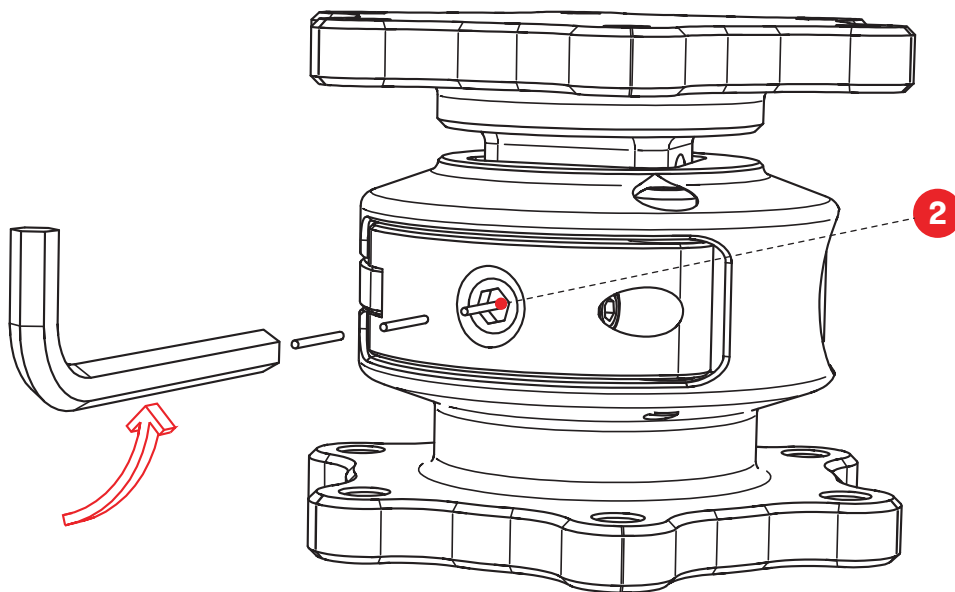
Tighten adjustment screw **2** until feeling resistance



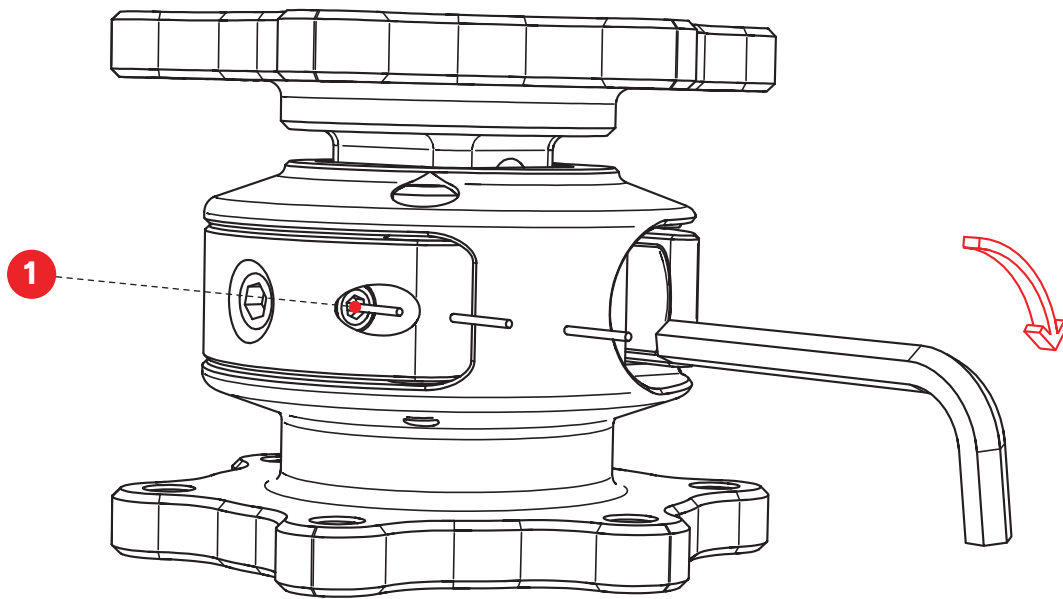
Add 1/4 of rotation



Try the lever.
If there's slack, tighten adjustment screw **2** 1/8 of rotation



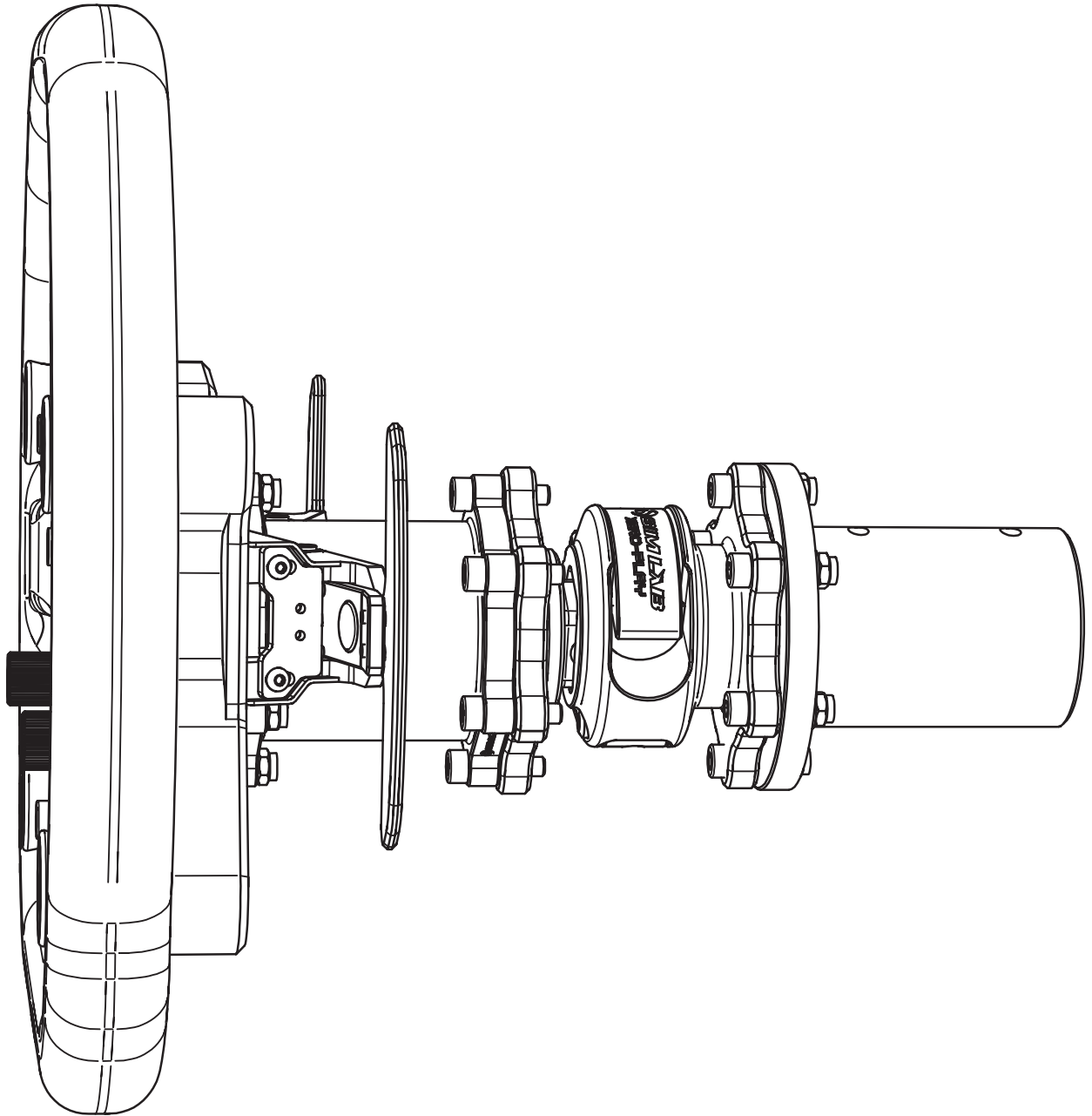
Try the lever.
If the lever can't be closed, loosen adjustment screw **2** 1/8 of rotation



If the lever is OK, tighten locking screw **1**

STEP 5

Final product*



* Users wheel and wheelbase may vary

Parts list

Base Adapter (Motor side) - Black / Red / Blue

Part No.	Part name	QTY	UoM
A1	ZY-01 Body VB2 (black/red/blue)	1	Units
A2	Bolt - DIN 912 (Black steel, 20mm, M5)	8	Units
A3	Nut (M5, DIN 985 locknut, Galvanised)	8	Units
A4	Washer (Black steel, M5, Plain black)	8	Units

Wheelside Adapter - 52mm / 70mm / 50.8mm / 44.5mm

Part No.	Part name	QTY	UoM
B1	ZY-03 Adapter 52mm/70mm/50.8mm/44.5mm	1	Units
B2	Bolt - DIN 7991 (Black steel, 40mm, M5)	8	Units
B3	Bolt - DIN 7991 (Black steel, 25mm, M5)	8	Units
B4	Bolt - DIN 7991 (Black steel, 16mm, M5)	8	Units
B5	Nut (M5, DIN 985 locknut, Galvanised)	8	Units
B6	Washer (Black steel, M5, Plain black)	8	Units
B7	Bolt - DIN 912 (Black steel, 20mm, M5)	8	Units