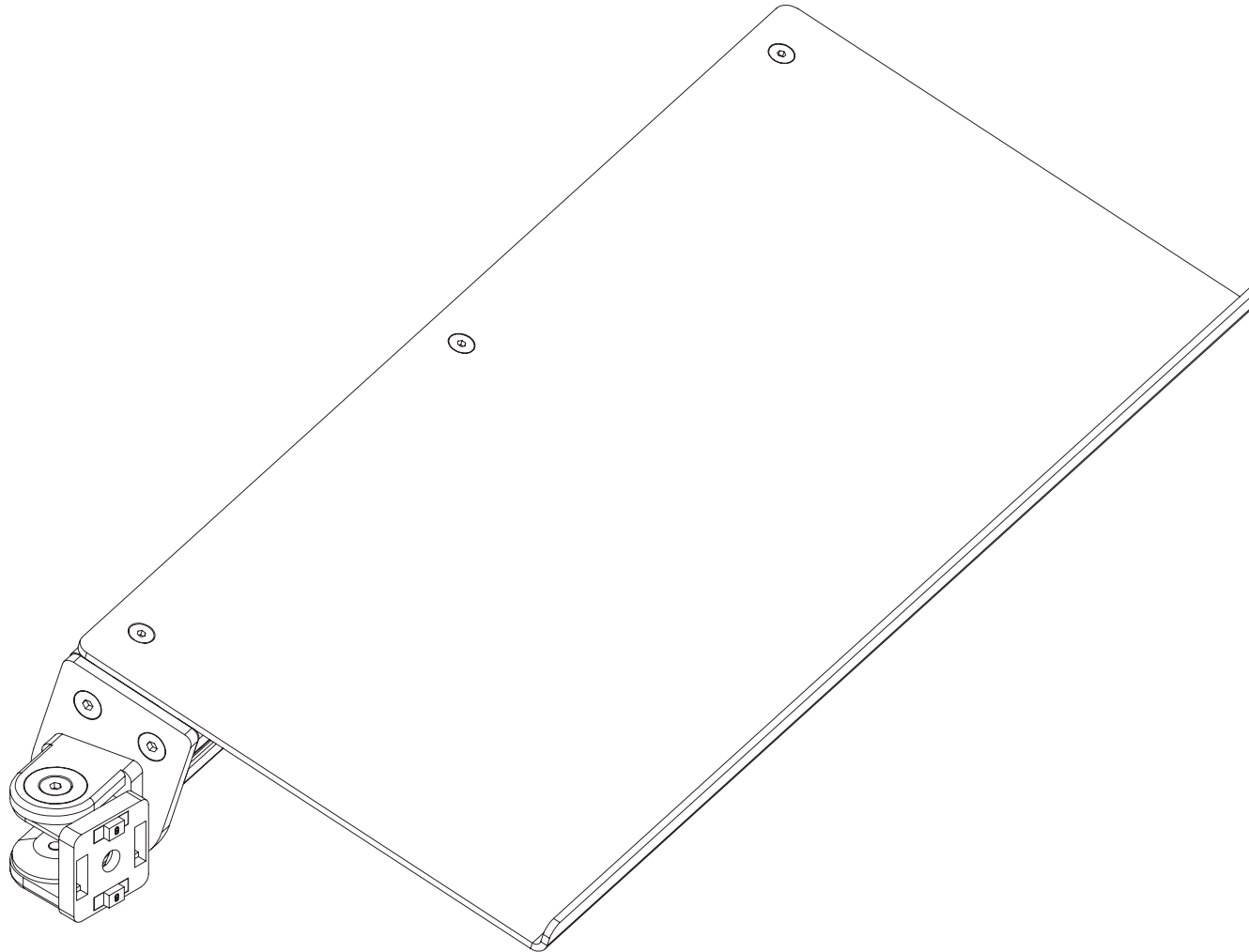


SIM LAB

INSTRUCTION MANUAL



KEYBOARD TRAY

VERSION 1.3

Last updated: 31-07-2023

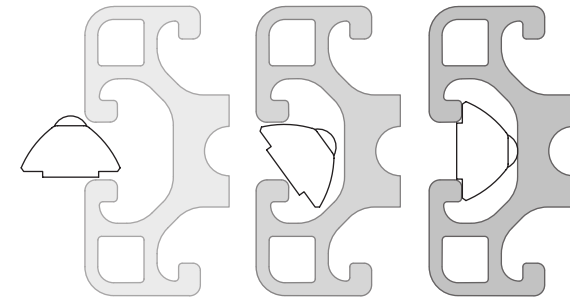
BEFORE YOU START:

Thank you for purchasing this Sim-Lab product! On the following pages, you will find detailed instructions on assembly. This requires only a set of simple tools and some of your time. Please check the bill of materials before starting (page 8) and make sure all the parts are delivered.

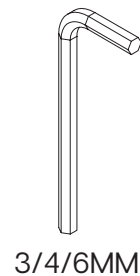
Please take note of the fact that this part can be mounted on both the left or right side of your rig. Instructions given assume the keyboard tray will be mounted on the right.

Inserting Slot-Nuts:

You got excited, finished the build, put the caps on, but forgot to install one element. Do not worry. It happens to everyone. In this diagram, you can see how to insert a Slot-Nut directly into the slot from the side. You can also use one of your smaller Hex wrenches to help wiggle the Slot-Nut in place.



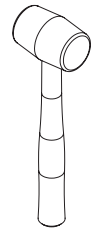
Tools needed:

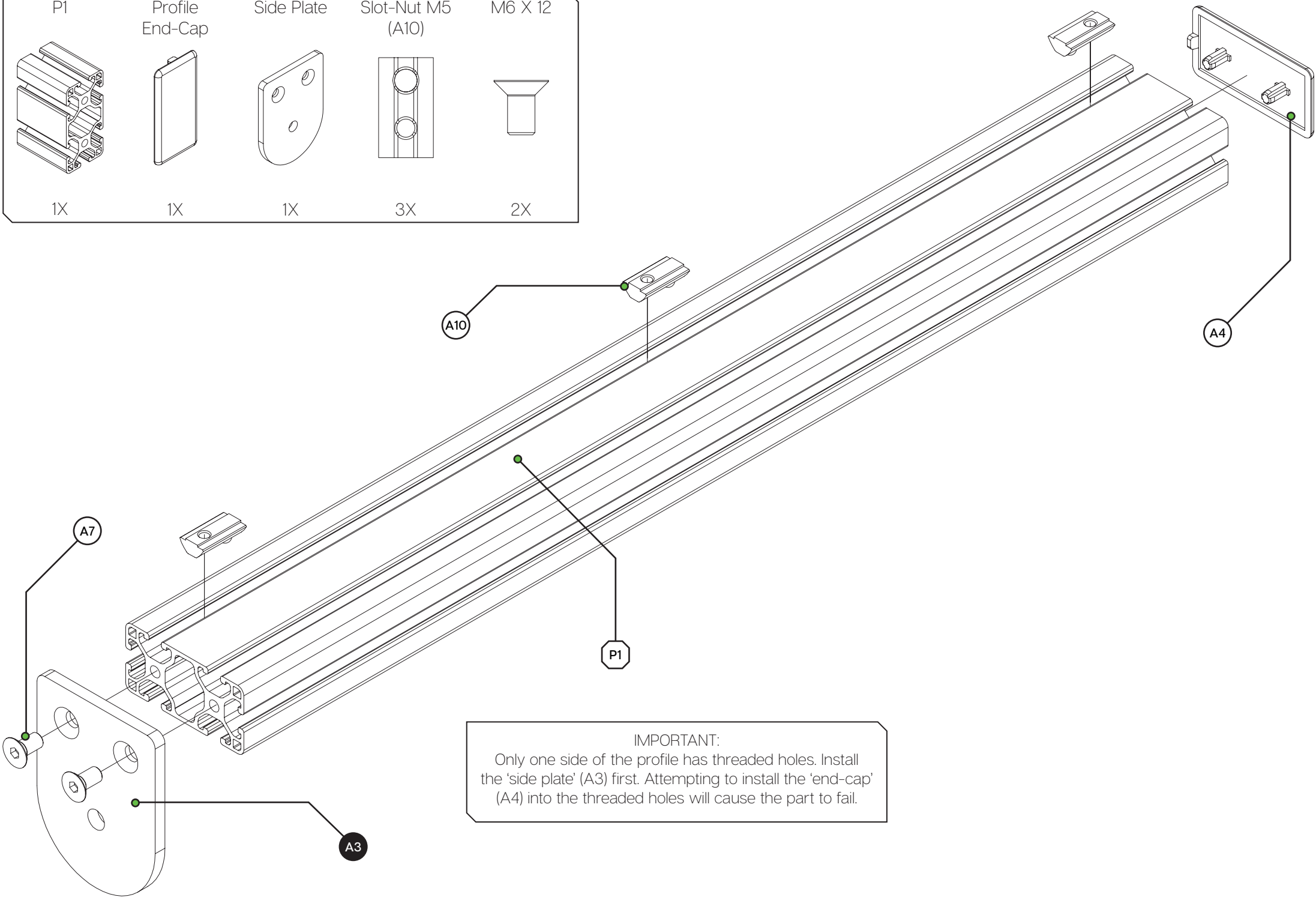
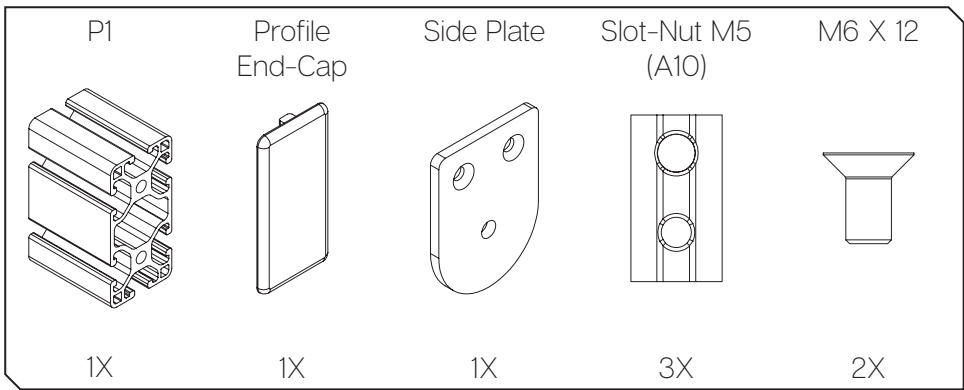


3/4/6MM



13MM

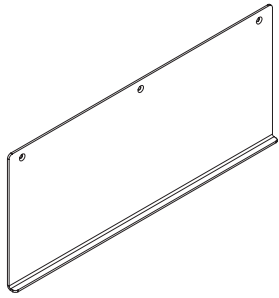




IMPORTANT:
 Only one side of the profile has threaded holes. Install the 'side plate' (A3) first. Attempting to install the 'end-cap' (A4) into the threaded holes will cause the part to fail.

Keyboard Tray

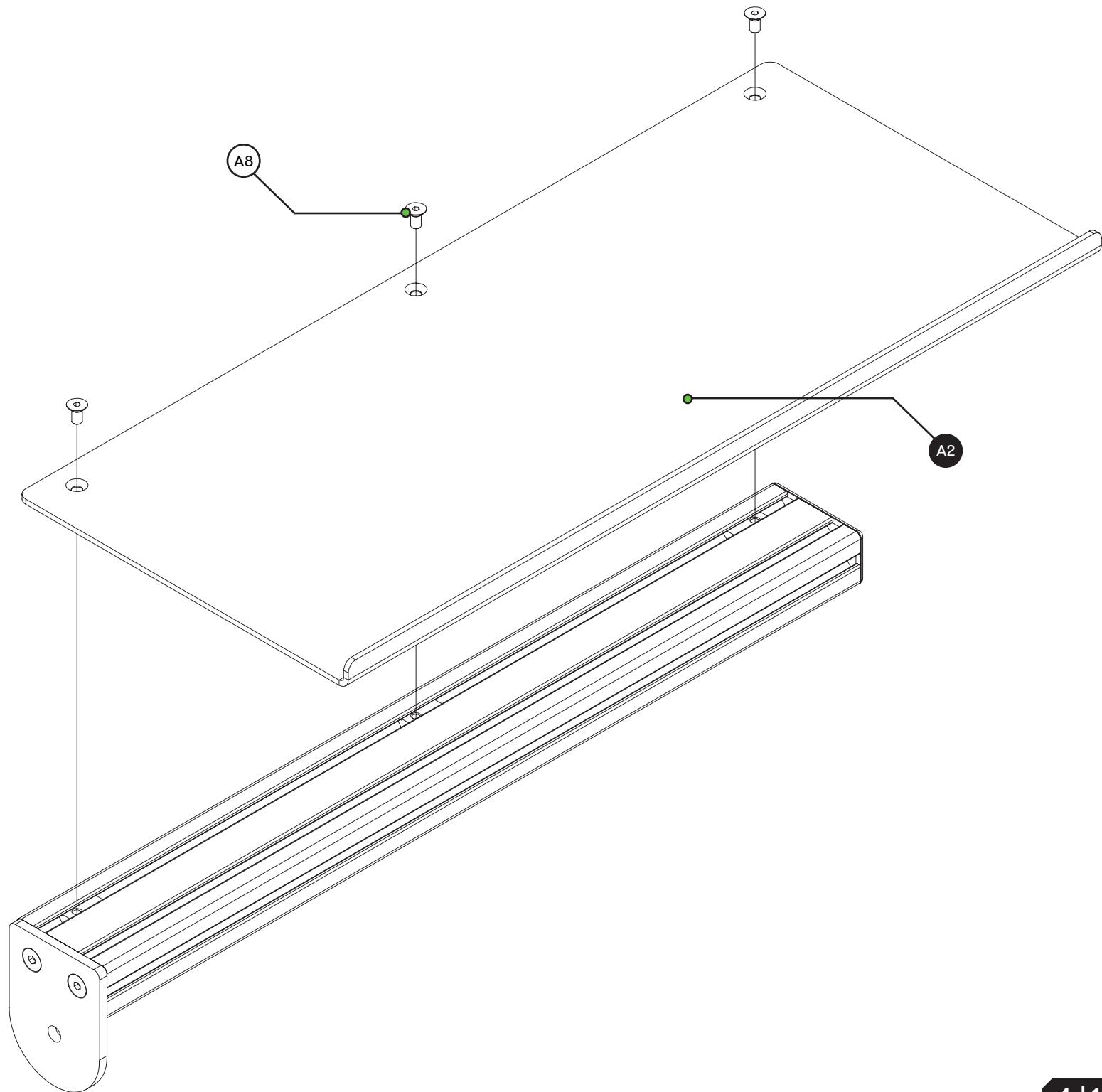
M5 X 10



1X



3X



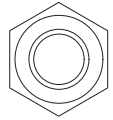
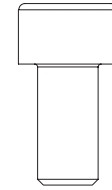
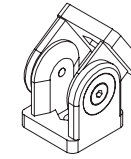
Assembly:

Do not fully tighten the lock-nut (A11) at this point. First decide on the downward angle of the keyboard tray with regards to your seating position, after the entire assembly has been mounted to your rig.

Joint 40

M8 X 16

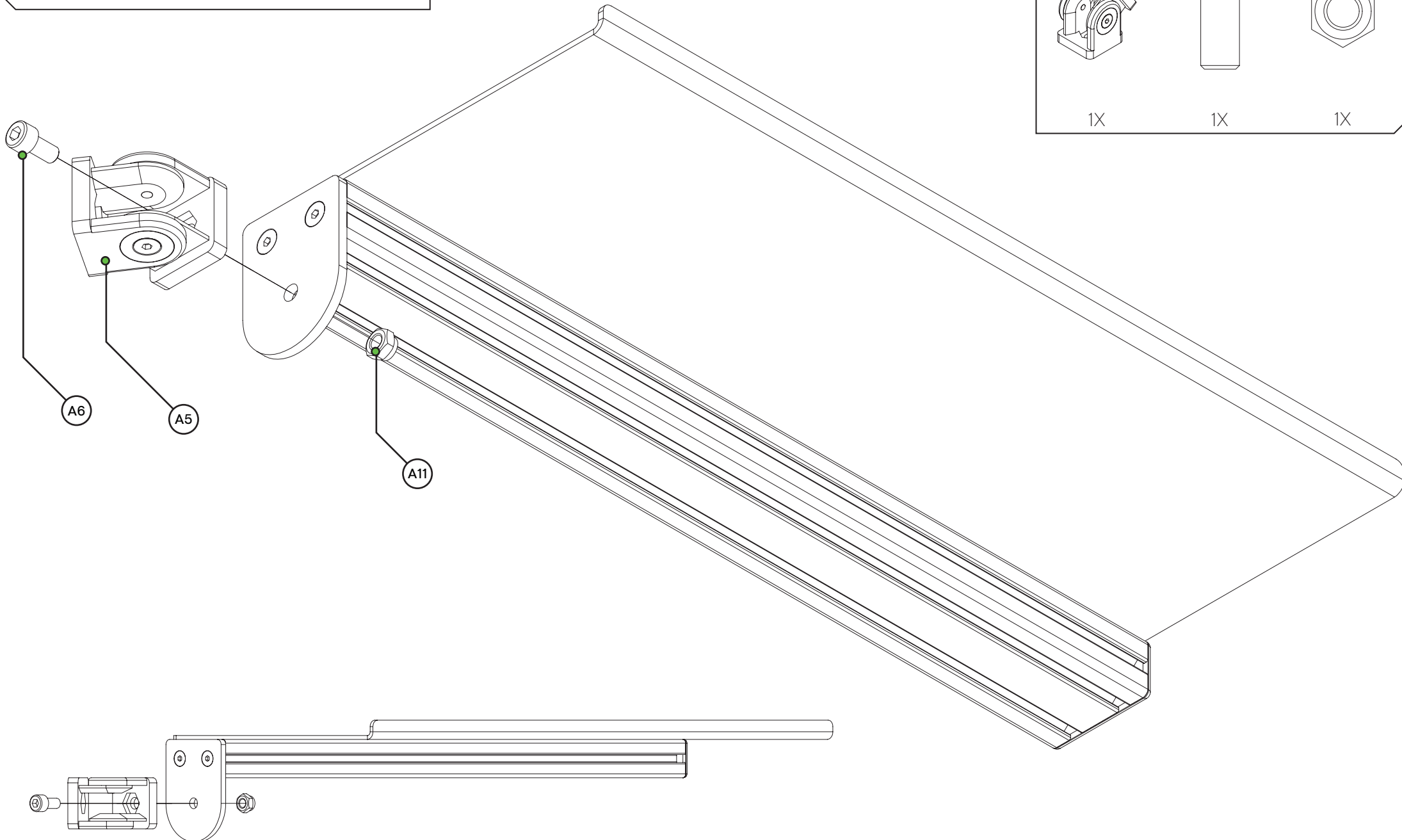
Lock-Nut M8



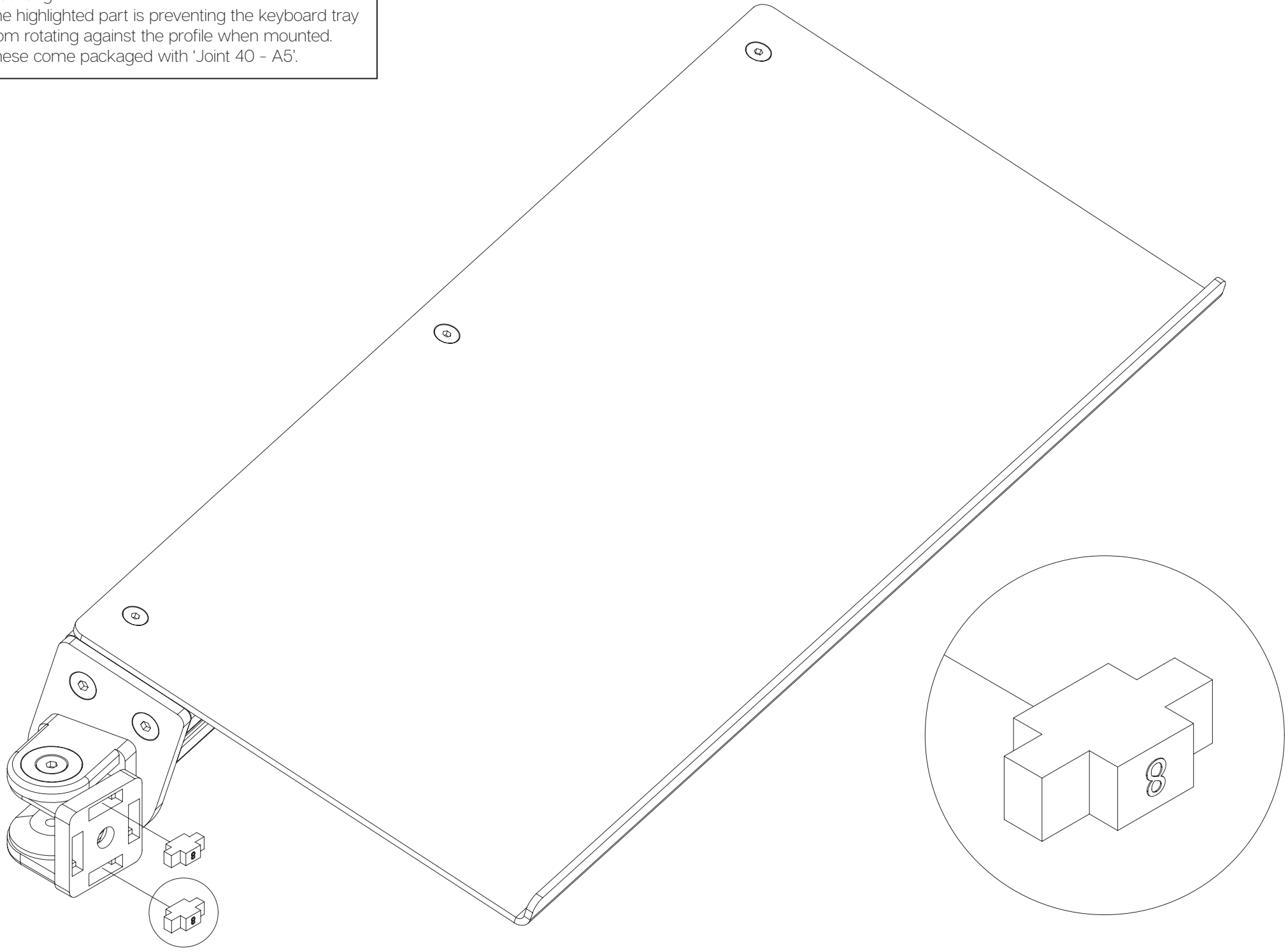
1X

1X

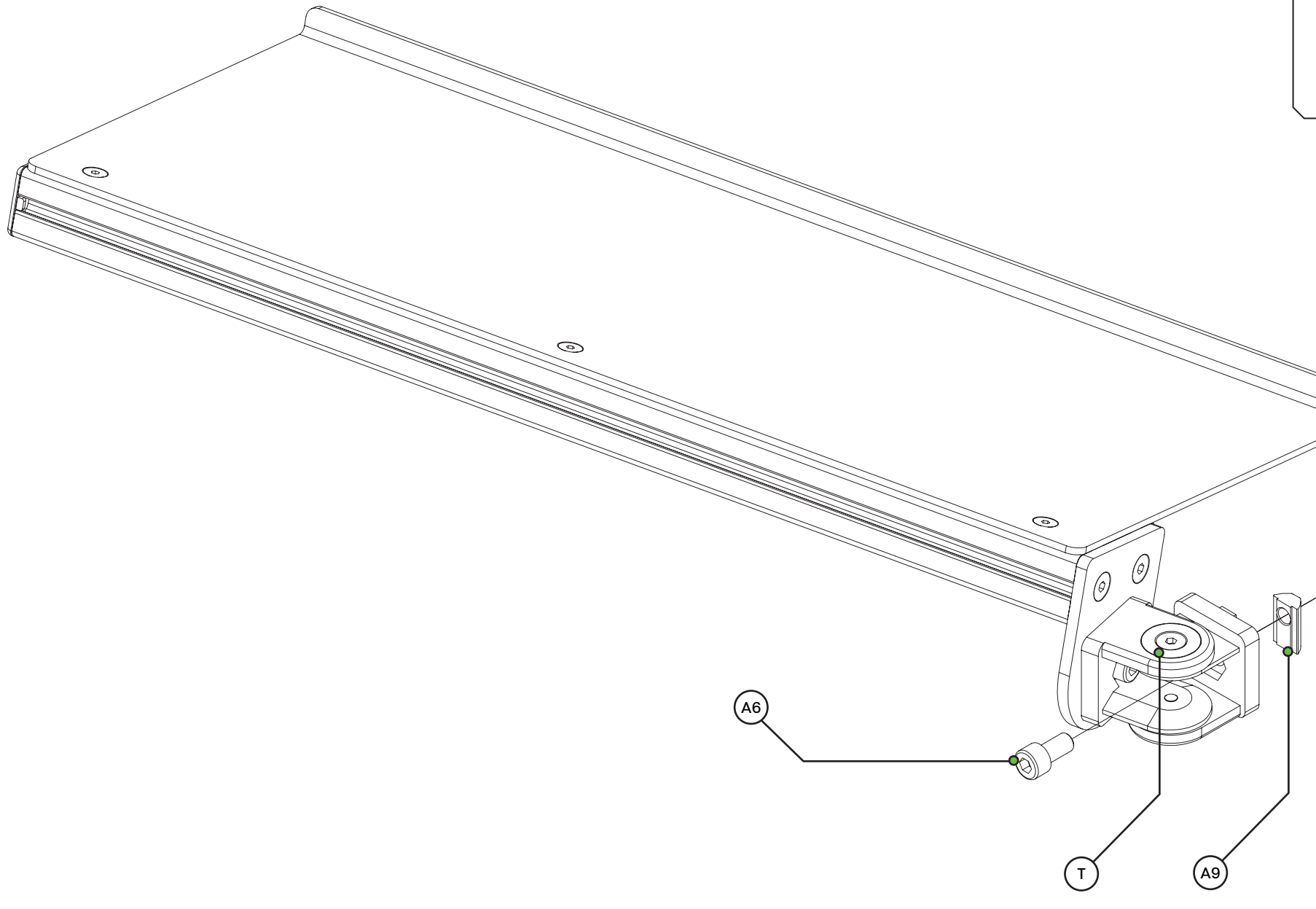
1X

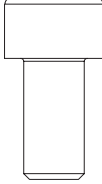
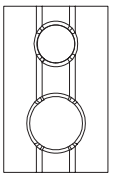


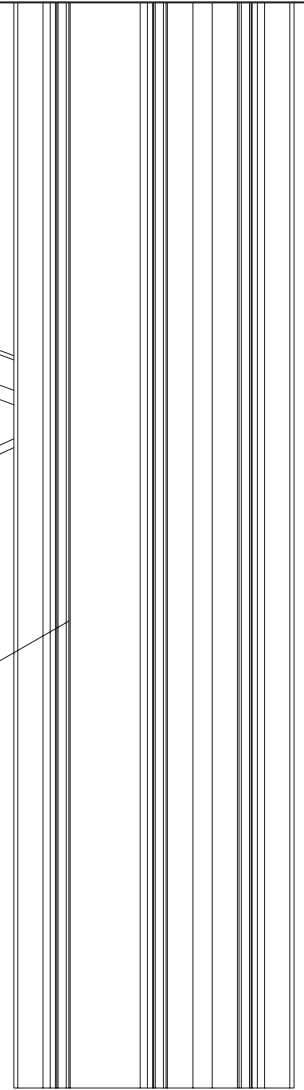
Mounting:
The highlighted part is preventing the keyboard tray from rotating against the profile when mounted.
These come packaged with 'Joint 40 - A5'.



Mounting:
Use slot closest to you on the side of an upright
profile to mount. Adjust joint tension **T** to preference.

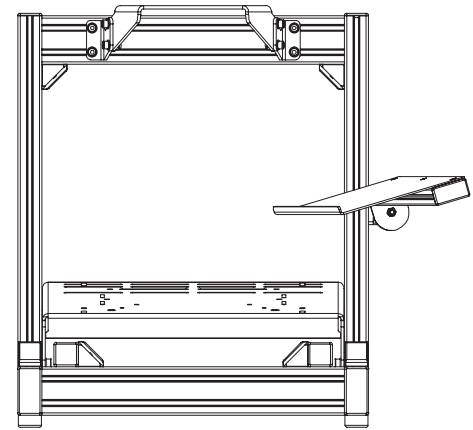
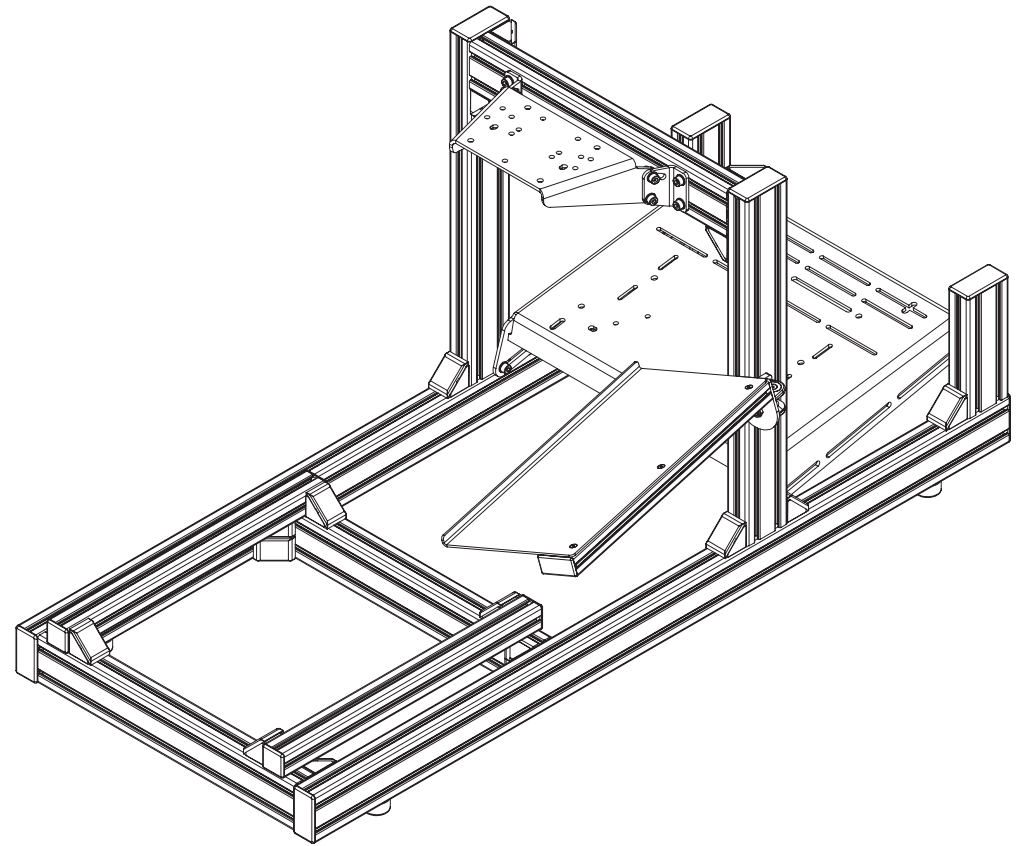
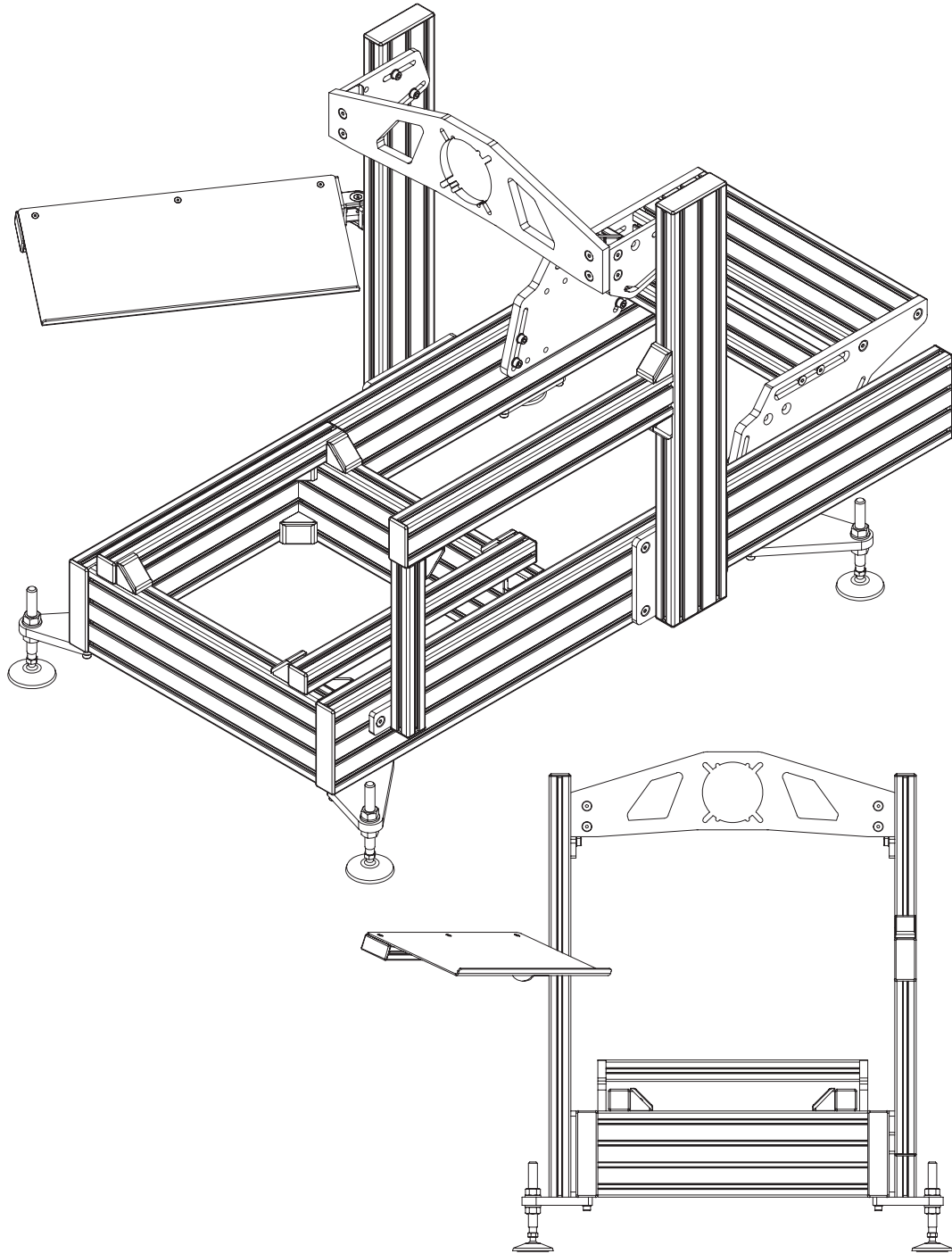


M8 X 16	Slot-Nut M8
	
1X	1X



PROFILE KIT			
#	Part	QTY	Note
P1	30X60 Length=500mm	1	Only one end of the profile has threaded holes.
HARDWARE KIT			
A2	Keyboard tray	1	
A3	Keyboard tray side plate	1	
A4	Profile 30x60 end-cap	1	
A5	Joint 40	1	
A6	Bolt M8 X 16 DIN 912	2	
A7	Bolt M6 X 12 DIN 7991	2	Countersunk
A8	Bolt M5 X 10 DIN 7991	3	Countersunk
A9	Slot-Nut M8	1	
A10	Slot-Nut M5 (Small)	3	Fits 30x60 profile
A11	Lock-Nut M8	1	
<p><i>Disclaimer: for some entries on this list, we supply more than required as spare materials. Don't worry if you have some leftovers, this is intentional.</i></p>			

Mounting:
Example on a P1-X and a GT1-EVO.



If you still have some questions regarding assembly of this product or about the manual itself, please refer to our support department. They can be reached at

support@sim-lab.eu

Alternatively, we now have a Discord server where there are quite some experienced Sim-Lab customers hanging out. They might just help you along if you ask them nicely ;)

www.sim-lab.eu/discord

If you feel like printing this manual, please consider the environment before doing so. For the best results, make sure you print at 100% scale without borders.

[Product page on the Sim-Lab website:](#)

