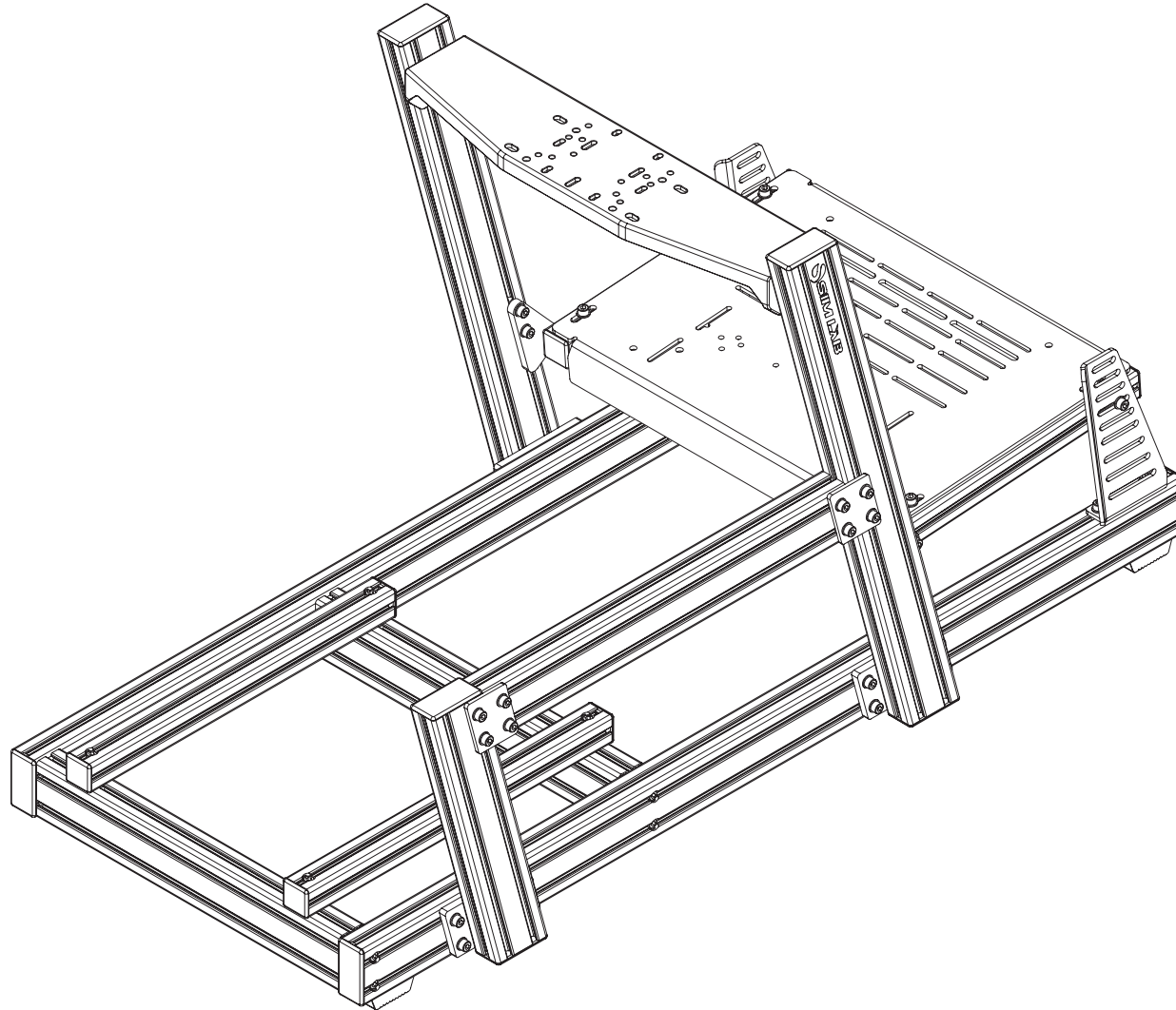


SIM LAB

INSTRUCTION MANUAL



GT1-PRO COCKPIT
VERSION 1.2
Last updated: 03-05-2024

BEFORE YOU START:

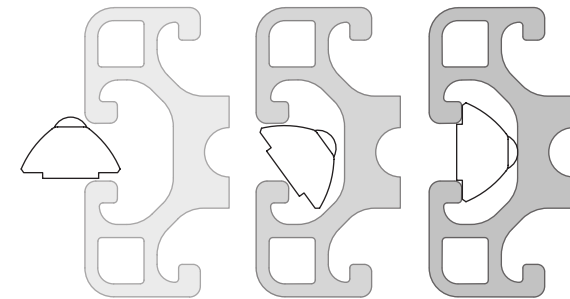
Thank you for purchasing this Sim-Lab product! On the following pages, you will find detailed instructions on assembly. This requires only a set of simple tools and some of your time. Please check the bill of materials before starting (page 18) and make sure all the parts are delivered.

For the angled profiles, the lengths in the bill of materials might not perfectly match the length of the part you measure. Don't worry, we measure differently when cutting the profiles and with the angles as they are, the given dimensions are a close approximation.

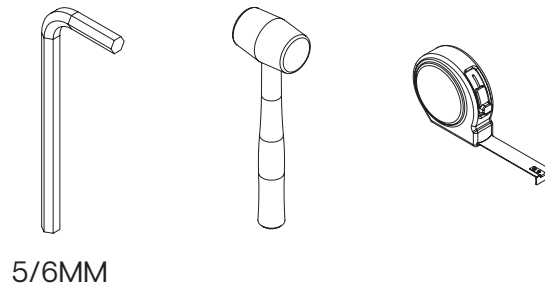
We tried to go with a different style of assembly for this one. Don't panic if you can't find any corner brackets included in the hardware bags.

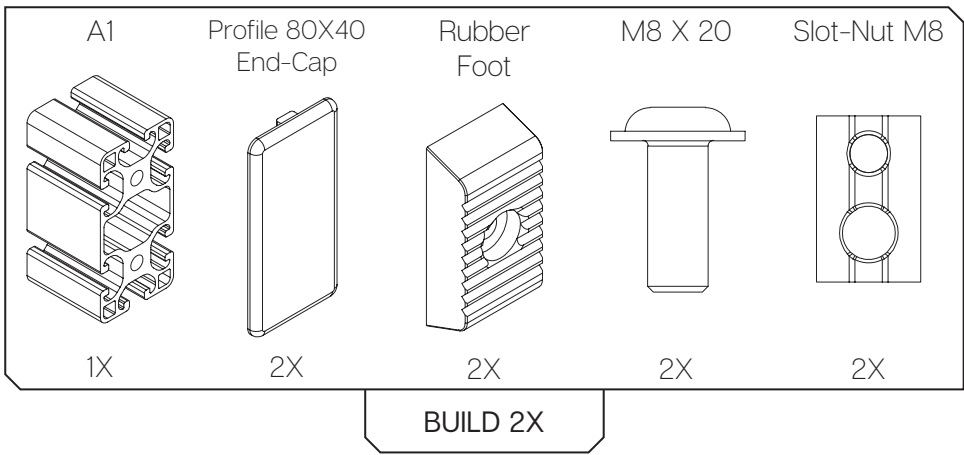
Inserting Slot-Nuts:

You got excited, finished the build, put the caps on, but forgot to install one element. Do not worry. It happens to everyone. In this diagram, you can see how to insert a Slot-Nut directly into the slot from the side. You can also use one of your smaller Hex wrenches to help wiggle the Slot-Nut in place.

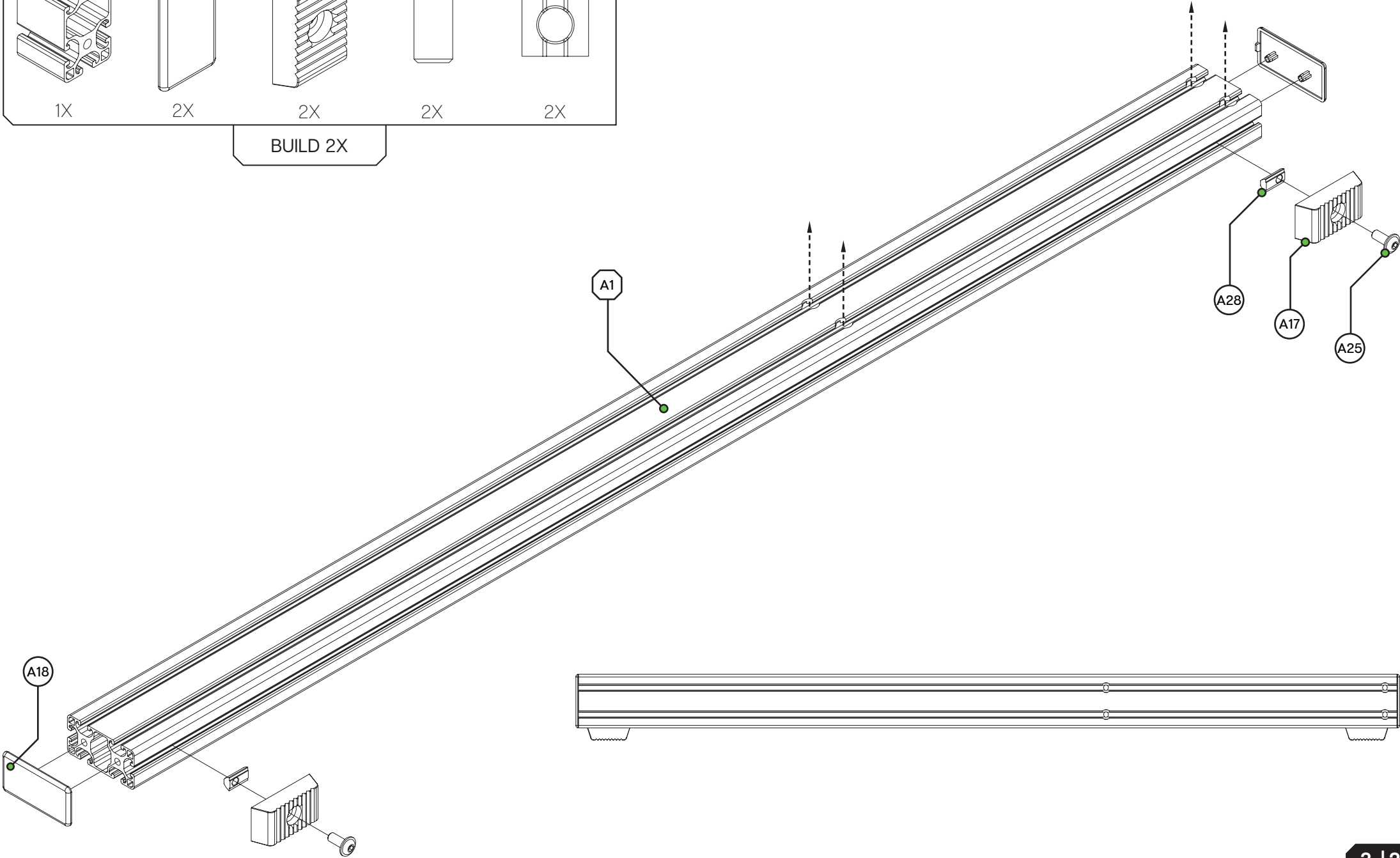


Tools needed:





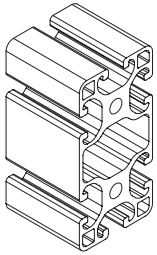
Note: the counterbores should point (arrows) to the outside of the cockpit. This page is showing assembly for the LEFT side.



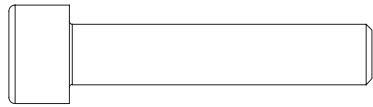
A4

M8 X 40

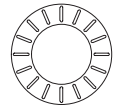
Washer M8
(DIN 988)



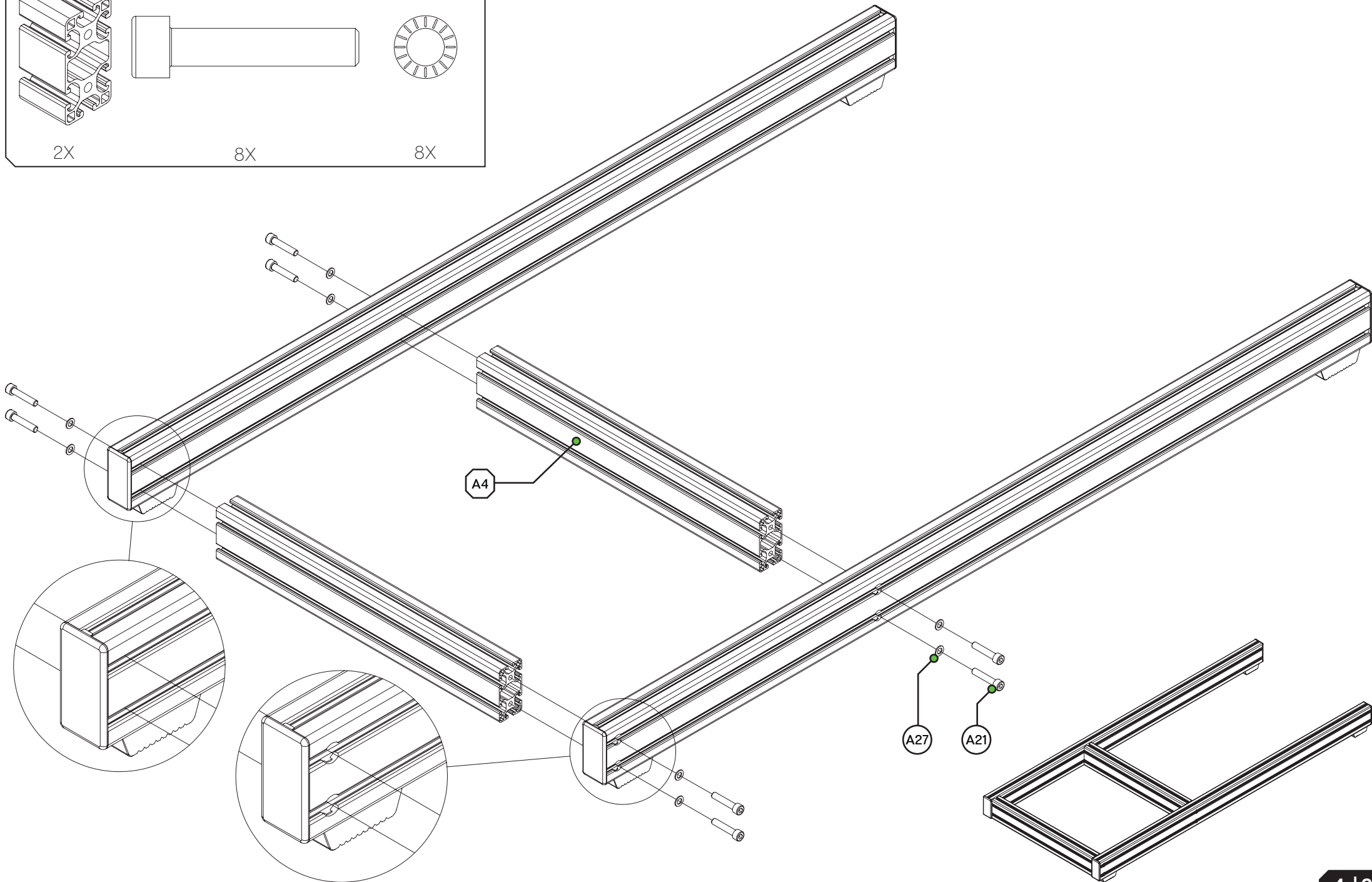
2X

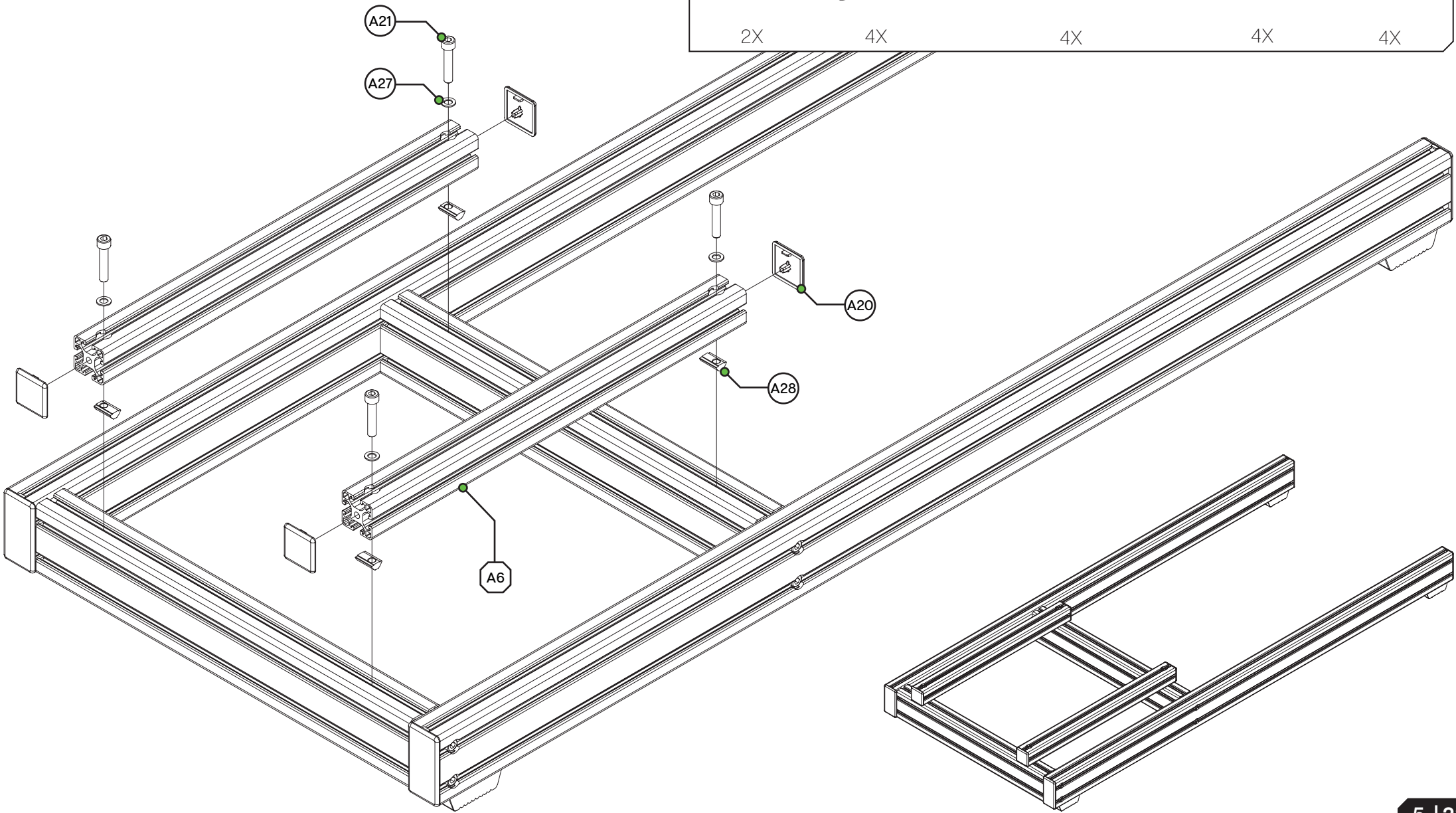
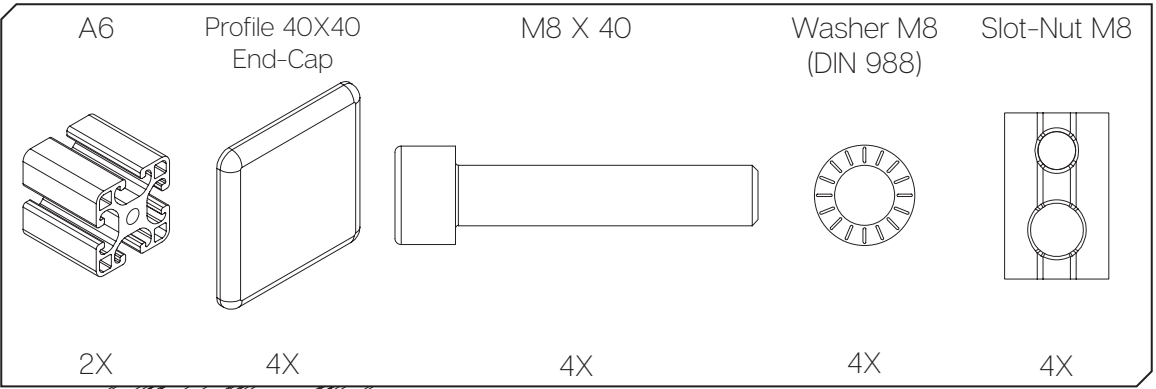


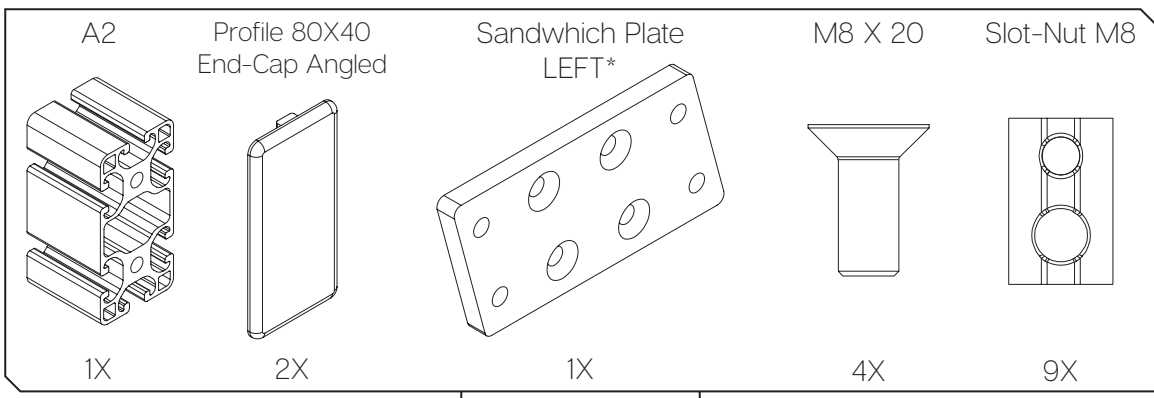
8X



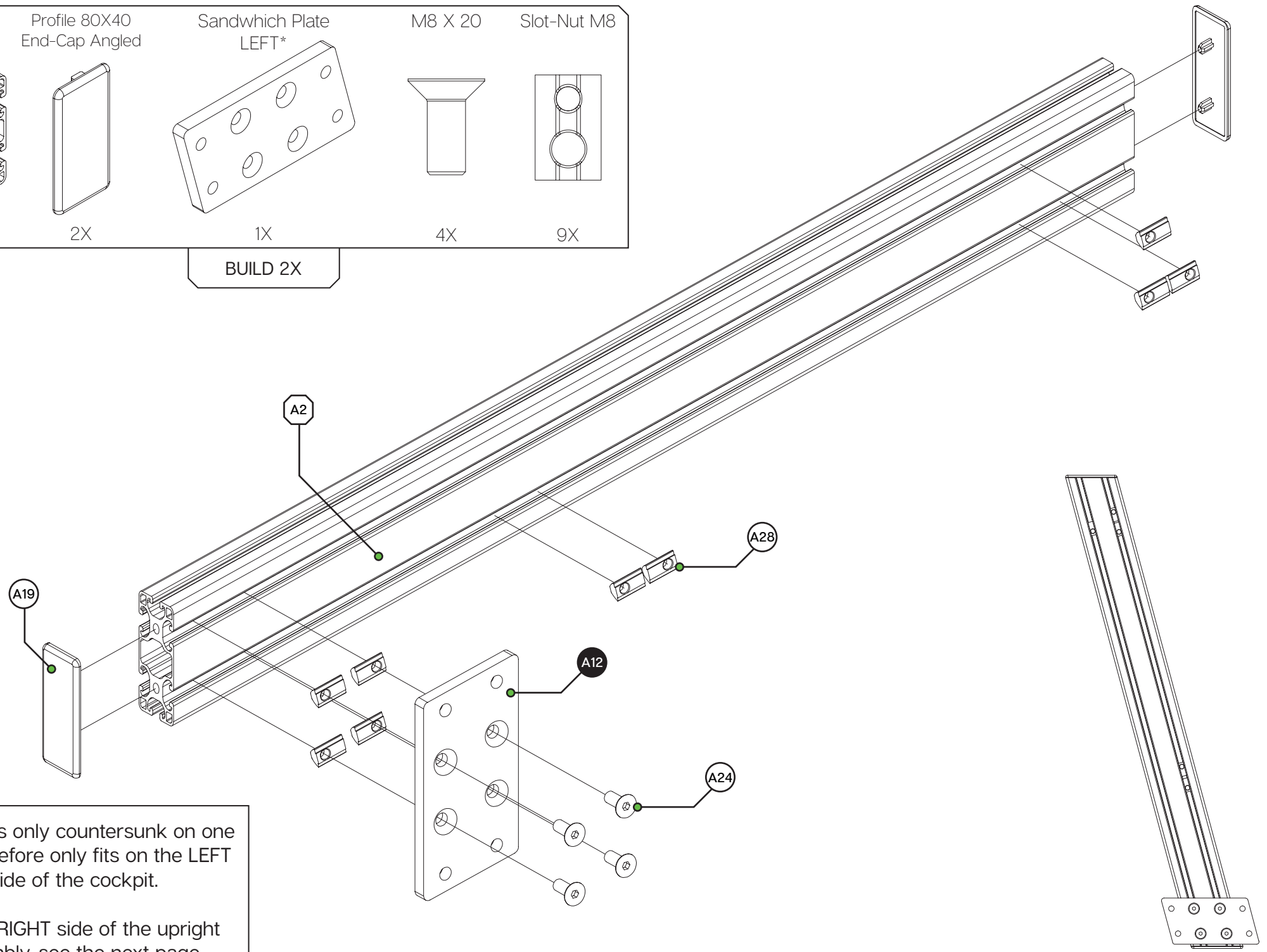
8X





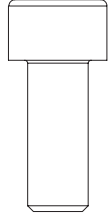
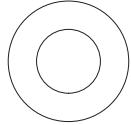
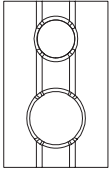


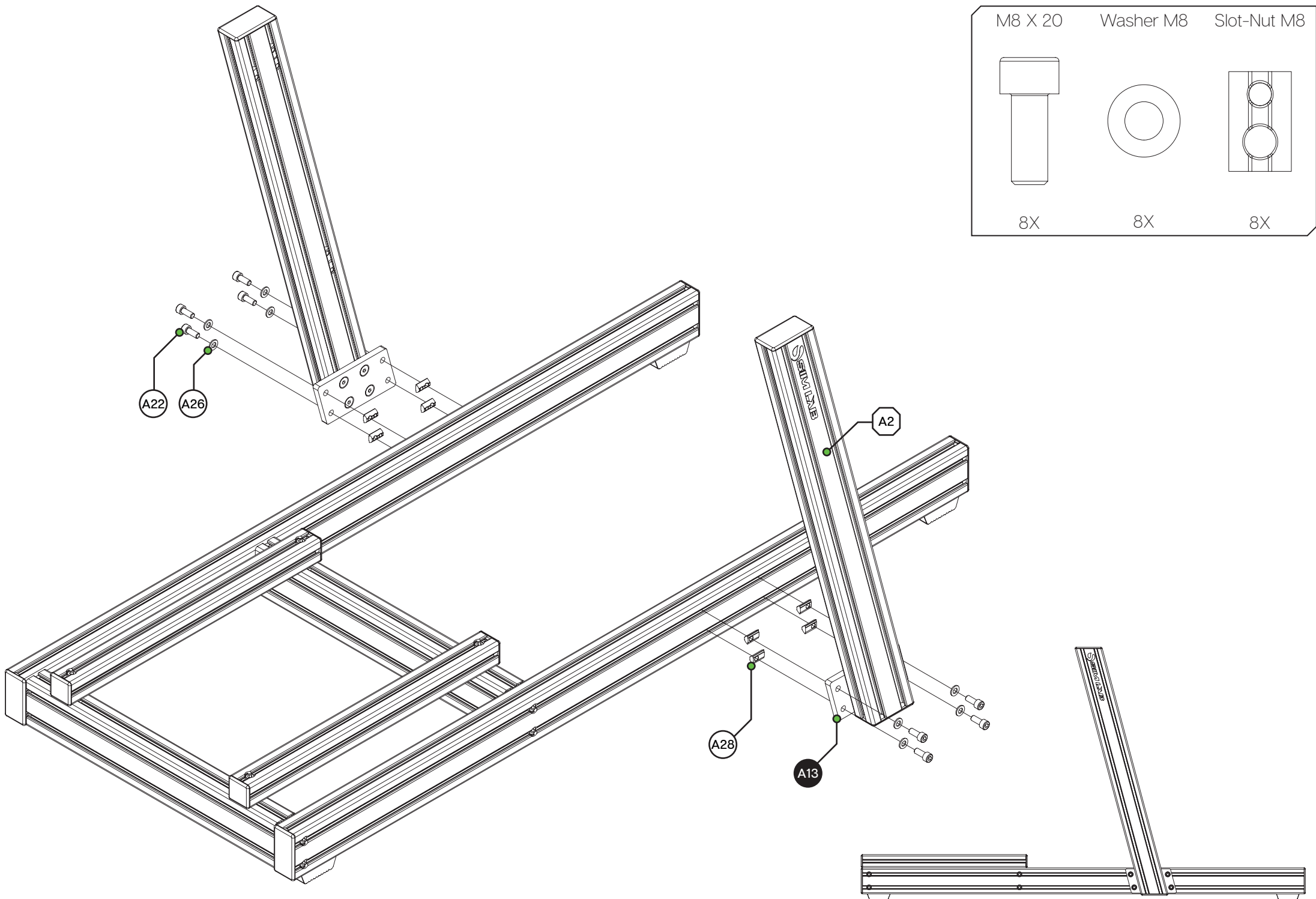
BUILD 2X

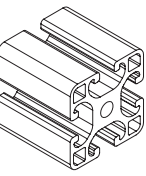
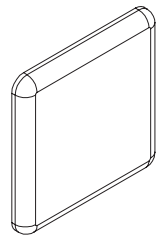
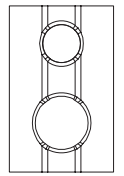


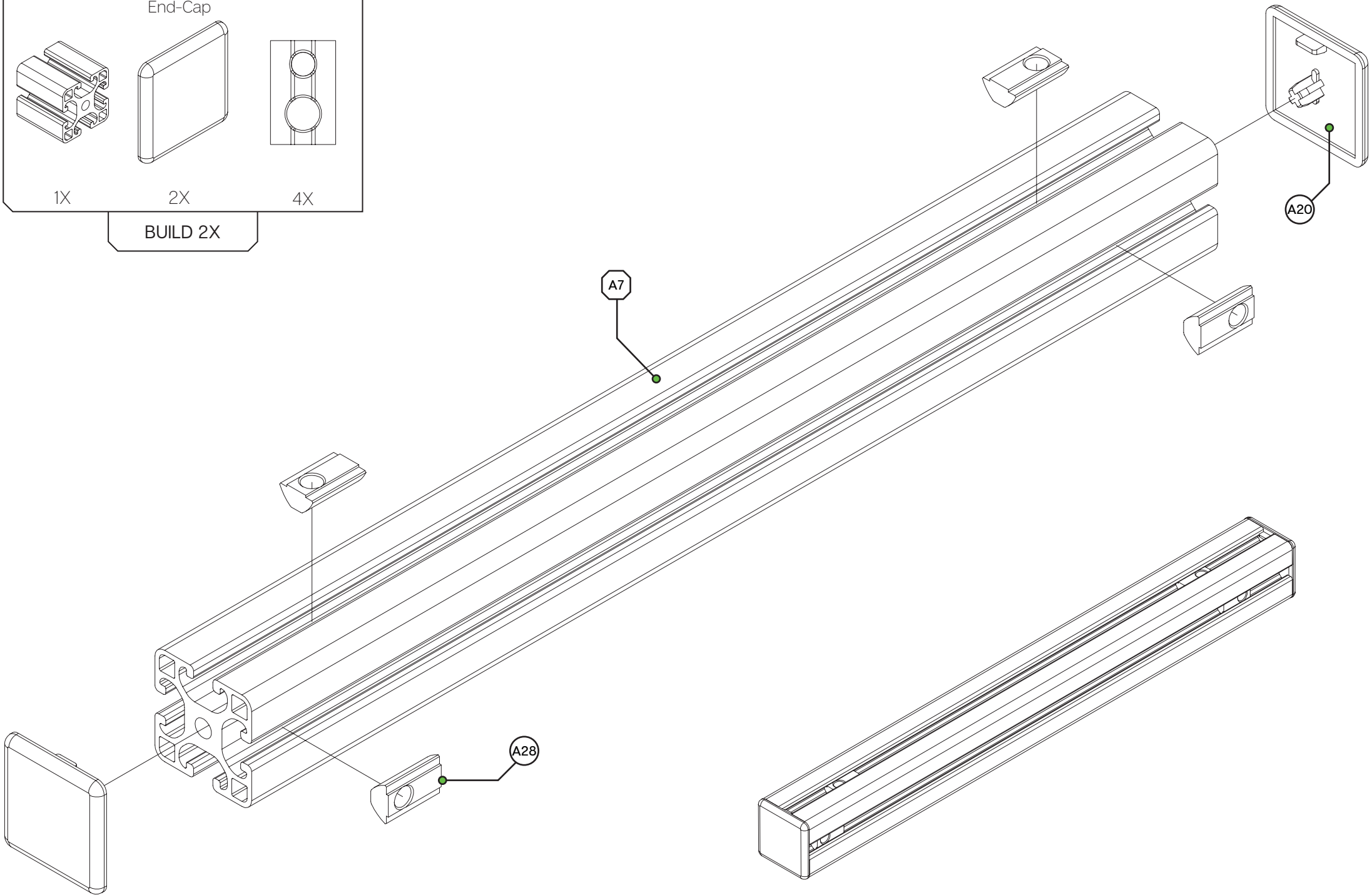
Part A12 is only countersunk on one side, therefore only fits on the LEFT side of the cockpit.

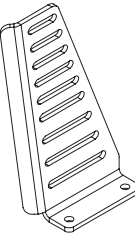
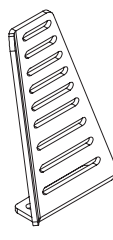
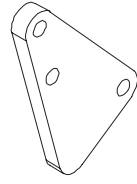
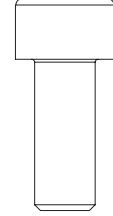
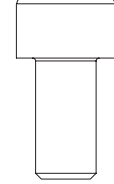
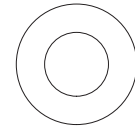
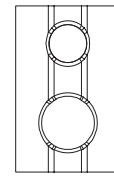
For the RIGHT side of the upright assembly, see the next page.

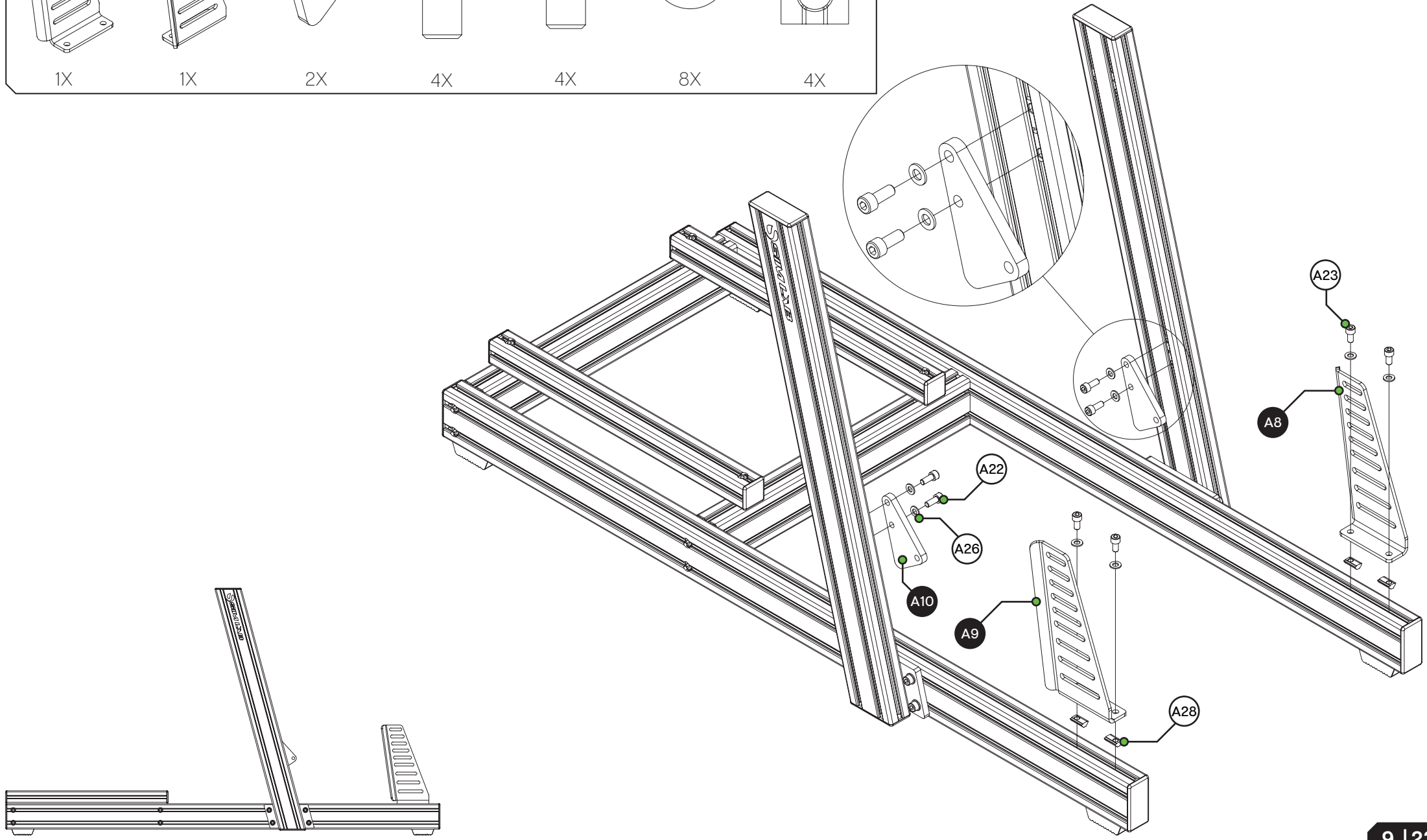
M8 X 20	Washer M8	Slot-Nut M8
		
8X	8X	8X



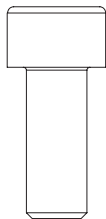
<p>A7</p>  <p>1X</p>	<p>Profile 40X40 End-Cap</p>  <p>2X</p>	<p>Slot-Nut M8</p>  <p>4X</p>
<p>BUILD 2X</p>		



Pedal Deck Upright Left	Pedal Deck Upright Right	Pedal Deck Pivot	M8 X 20 (A22)	M8 X 16 (A23)	Washer M8	Slot-Nut M8
						
1X	1X	2X	4X	4X	8X	4X

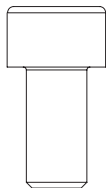


M8 X 20
(A22)



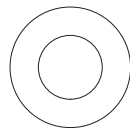
2X

M8 X 16
(A23)

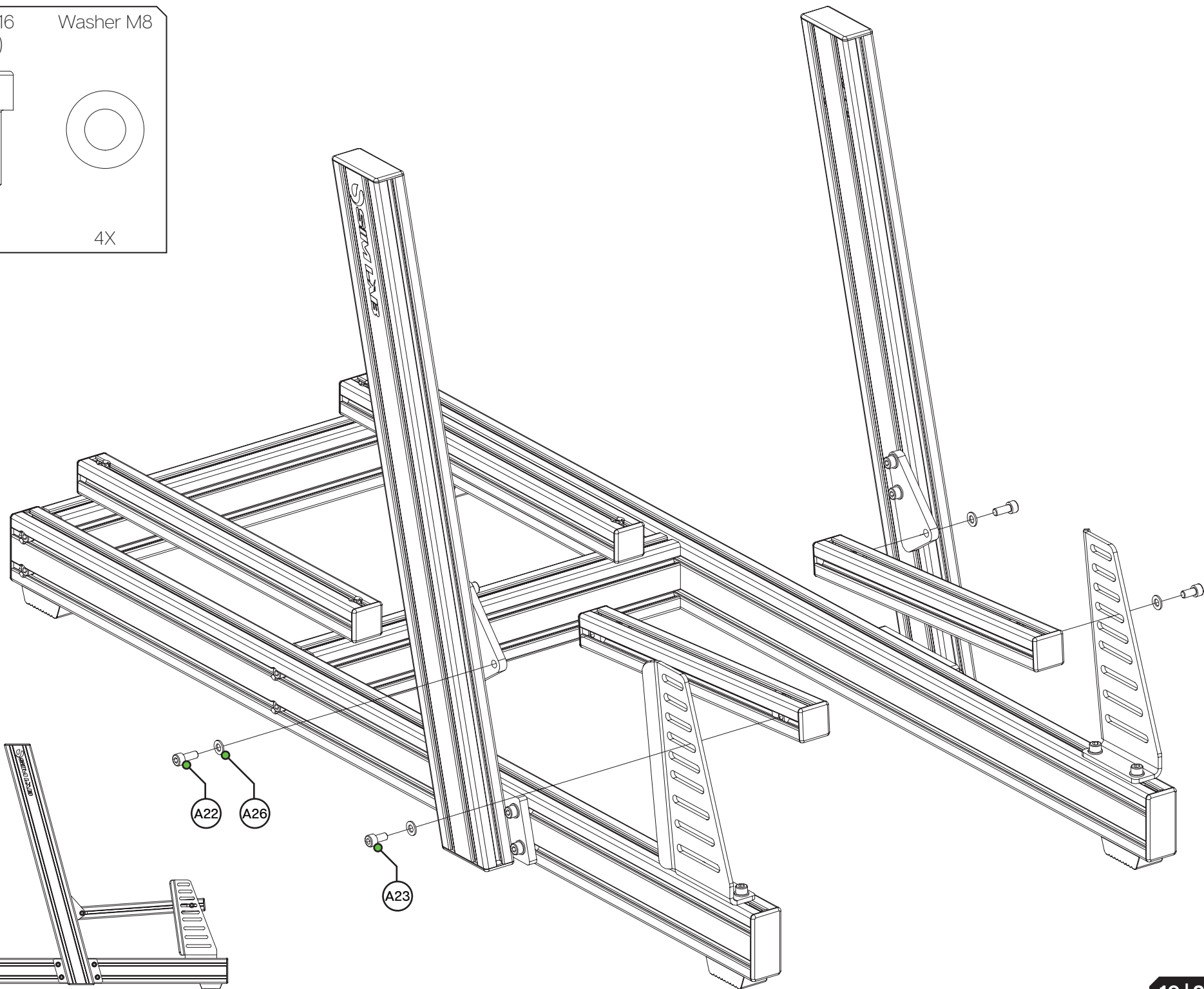


2X

Washer M8



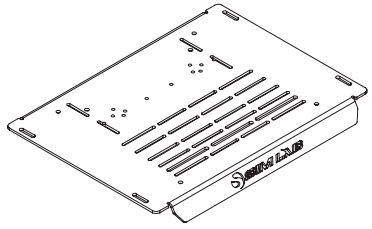
4X



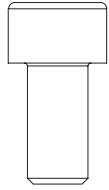
Pedal Deck

M8 X 16

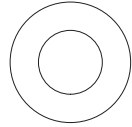
Washer M8



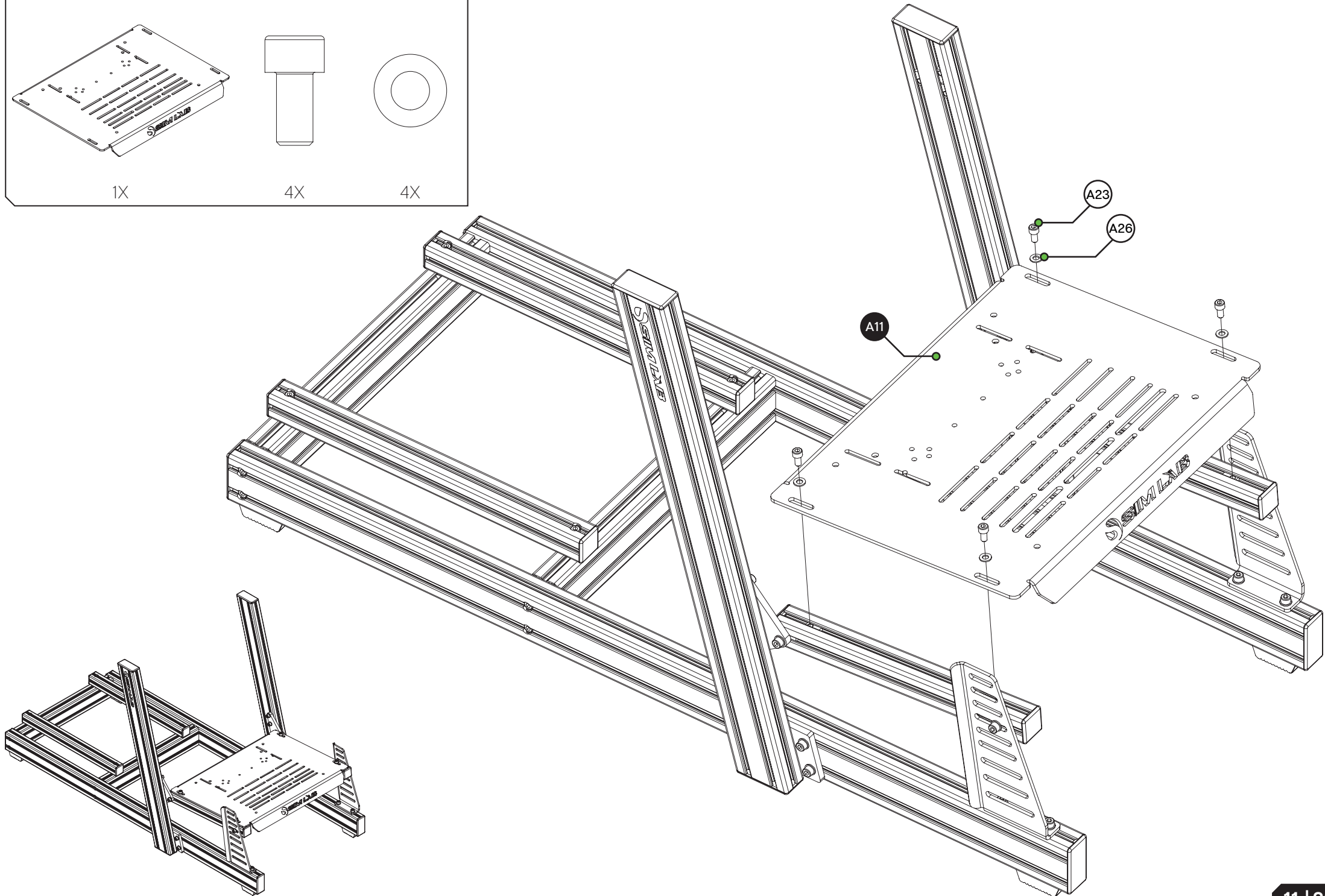
1X



4X



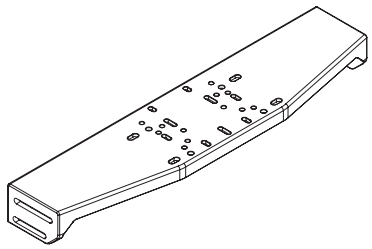
4X



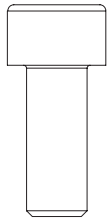
Wheel Deck

M8 X 20

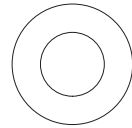
Washer M8



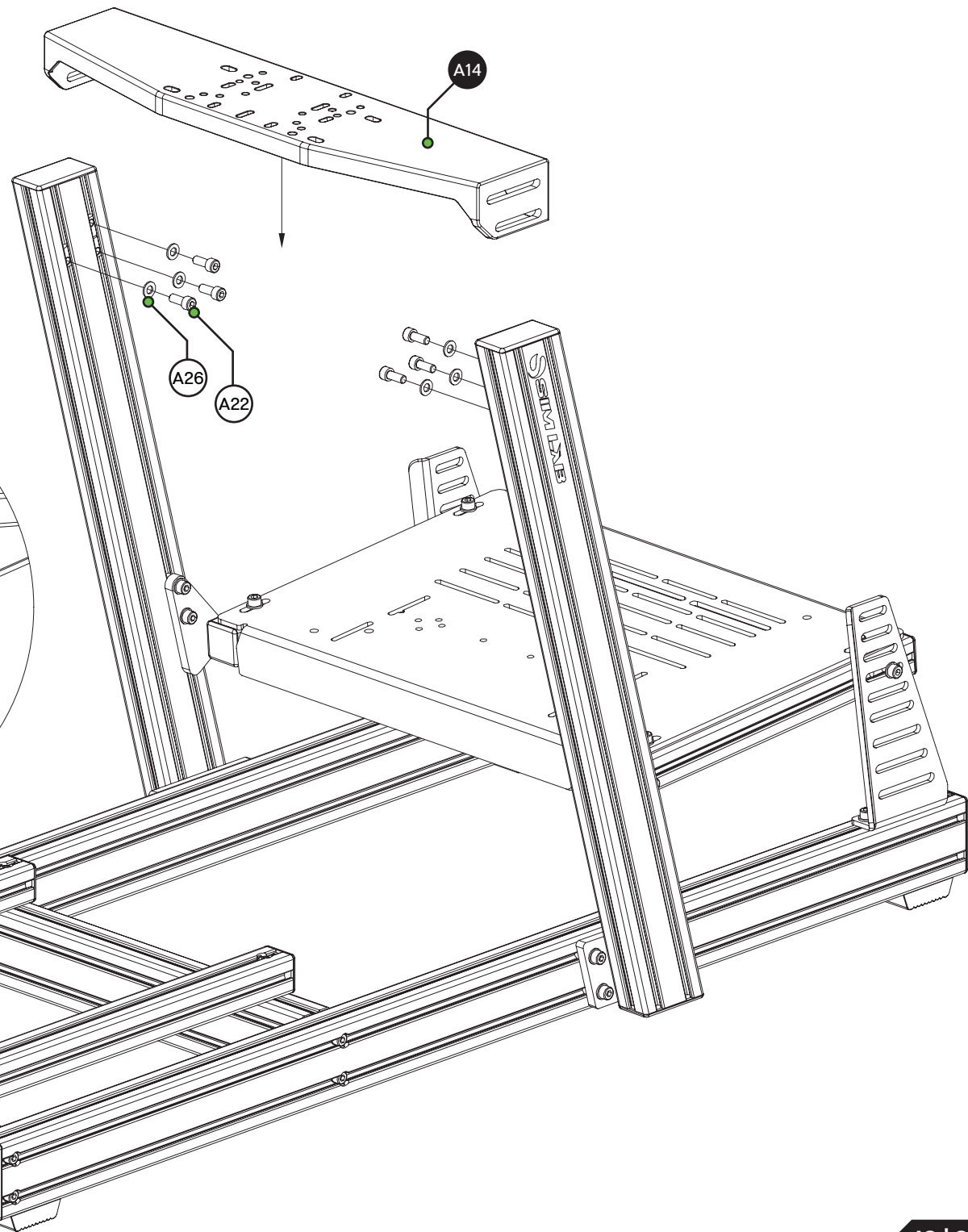
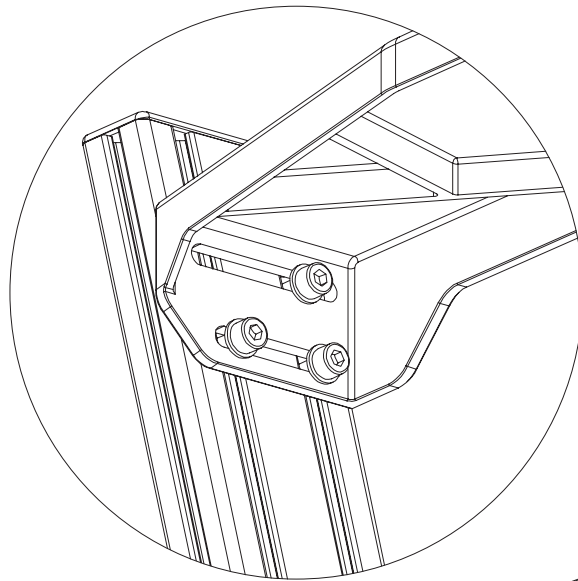
1X

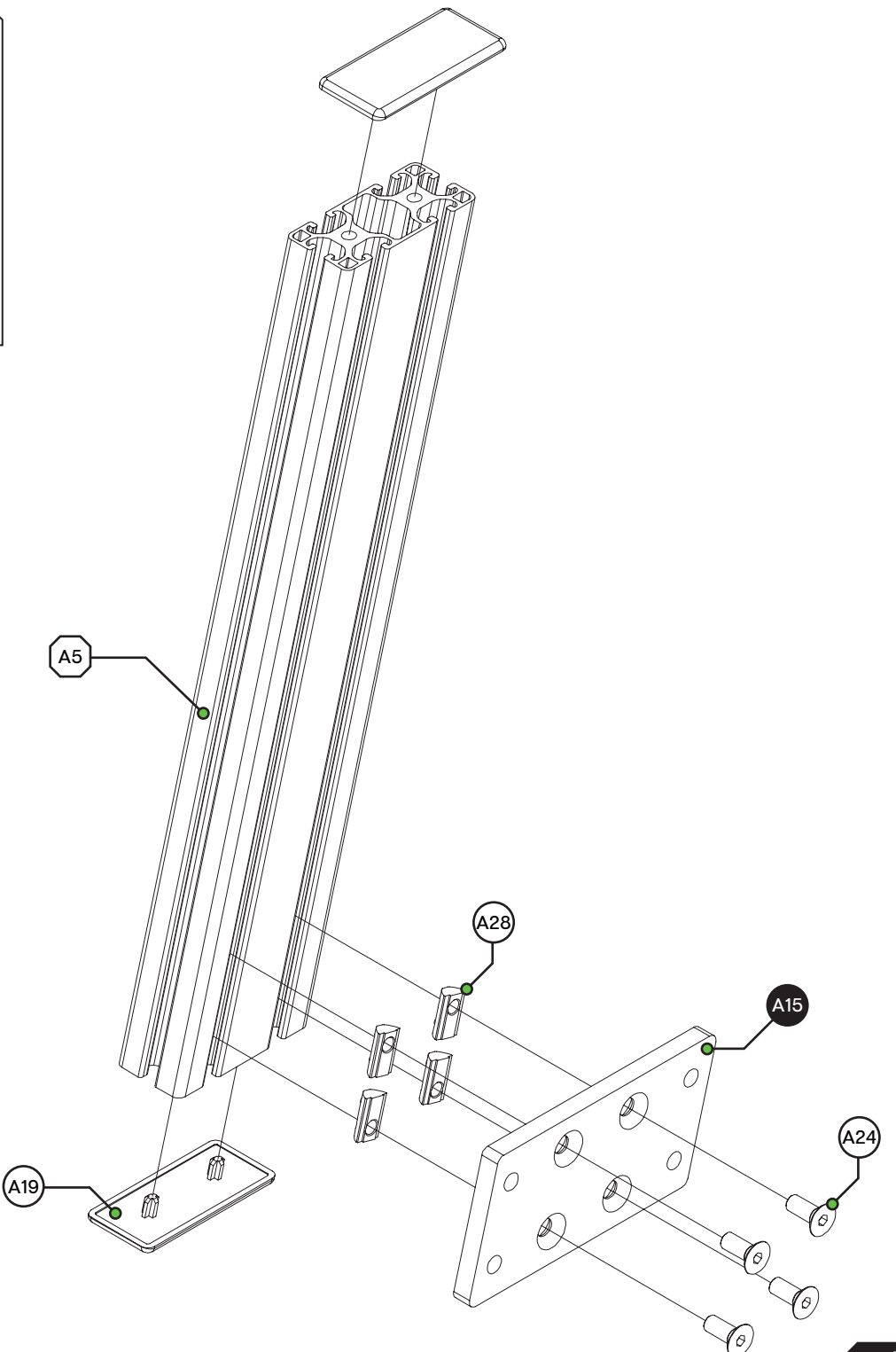
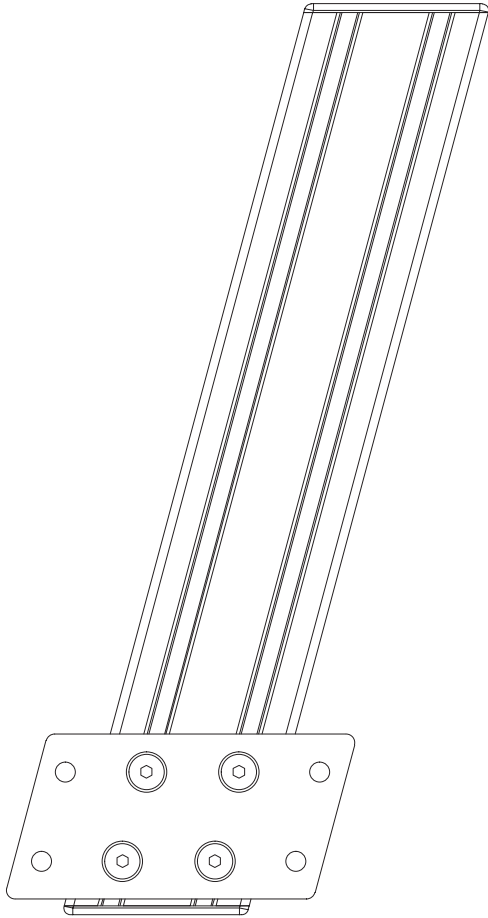
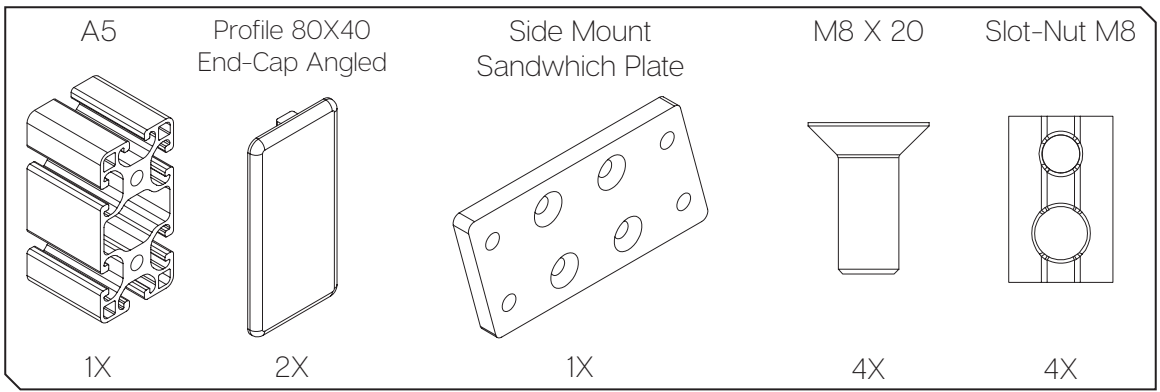


6X

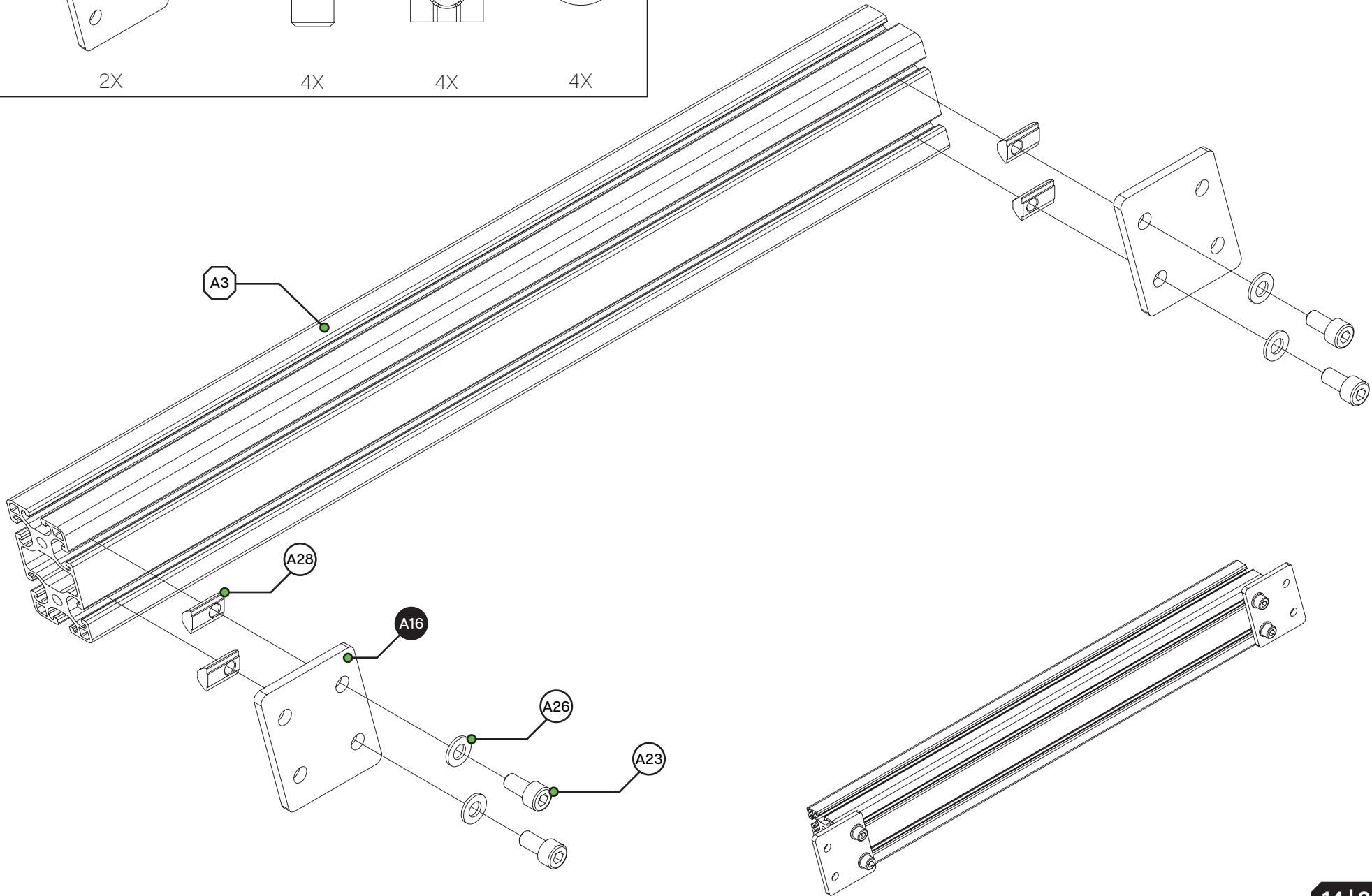
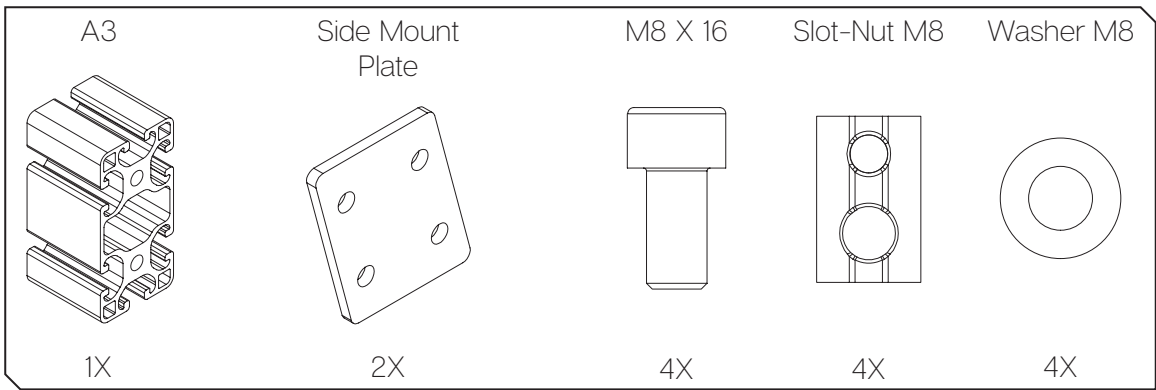


6X





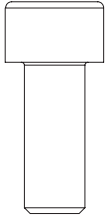
Part A15 is symmetrical and can be used on both sides of the cockpit.



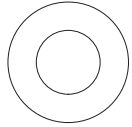
M8 X 20

Washer M8

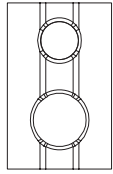
Slot-Nut M8



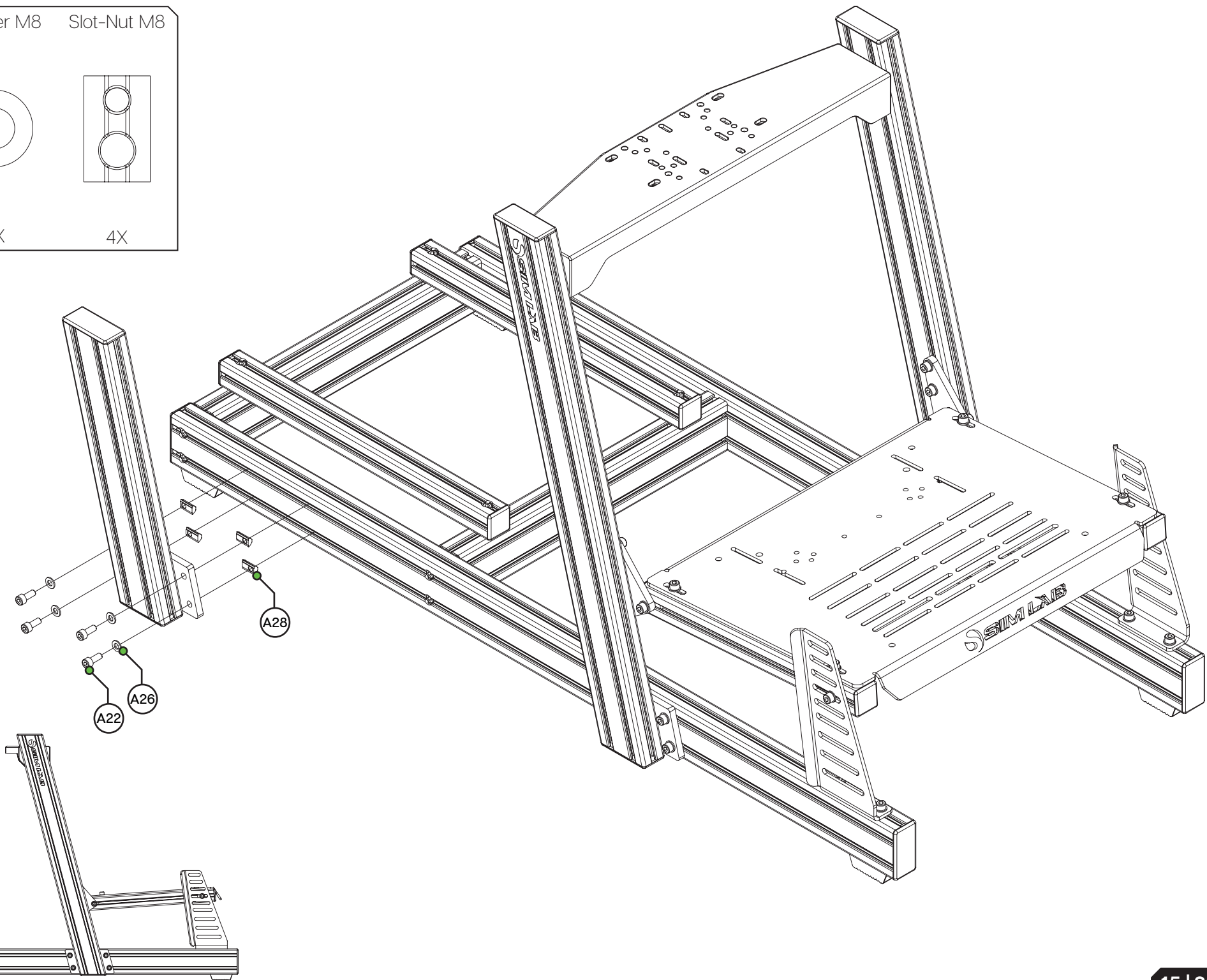
4X



4X



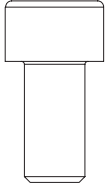
4X



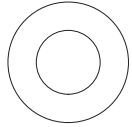
M8 X 16

Washer M8

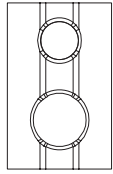
Slot-Nut M8



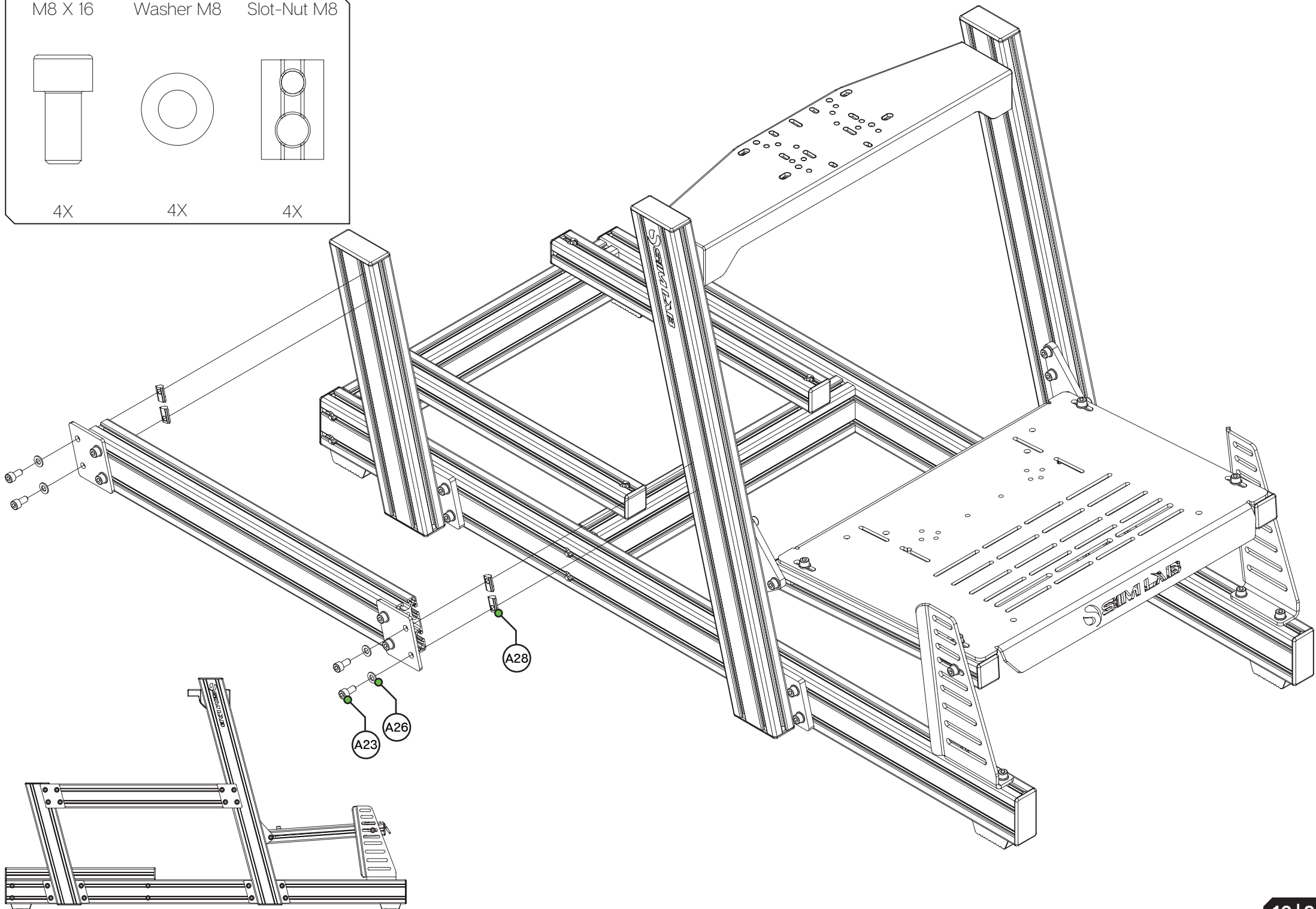
4X

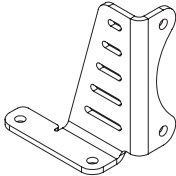
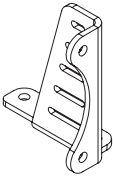
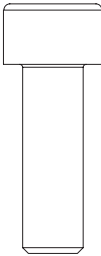
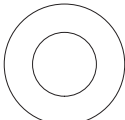
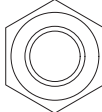


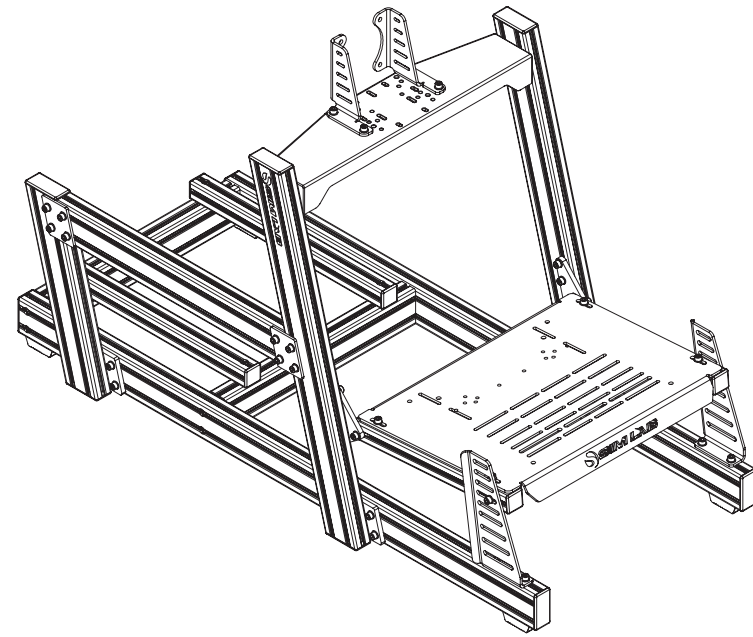
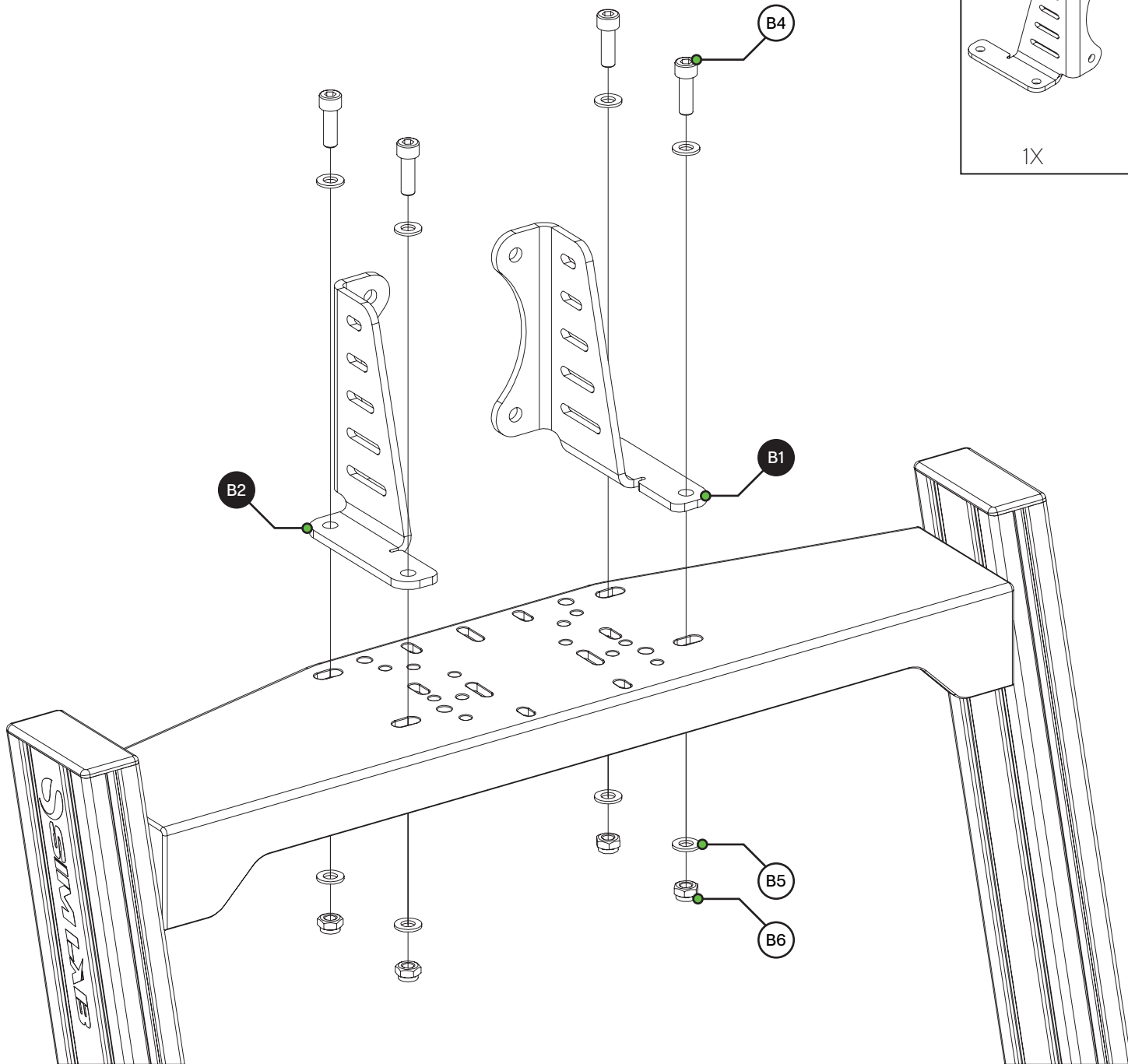
4X



4X



Servo Mount Left	Servo Mount Right	M8 X 25	Washer M8	Lock-Nut M8
				
1X	1X	4X	8X	4X



BOX A - GT1-Pro PROFILE KIT

#	Part	QTY	Note
A1	80X40 Length=1350mm	2	Machined.
A2	80X40 Length=750mm	2	Angled.
A3	80X40 Length=560mm	1	Angled.
A4	80X40 Length=500mm	2	
A5	80X40 Length=430mm	1	Angled.
A6	40X40 Length=500mm	2	Machined.
A7	40X40 Length=400mm	2	

HARDWARE KIT

A8	Pedal deck upright left	1	
A9	Pedal deck upright right	1	
A10	Pedal deck pivot	2	
A11	Pedal deck	1	
A12	Sandwich plate left	1	
A13	Sandwich plate right	1	
A14	Wheel deck	1	
A15	Side mount sandwich plate	1	
A16	Side mount plate	2	
A17	Rubber foot	4	
A18	Profile 80x40 end-cap	4	
A19	Profile 80x40 end-cap angled	6	
A20	Profile 40x40 end-cap	8	

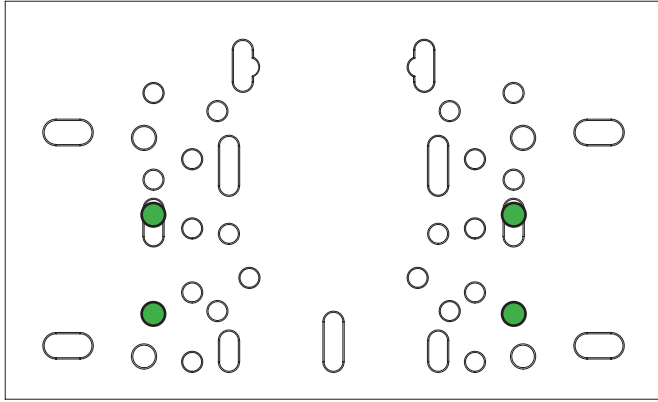
#	Part	QTY	Note
A21	Bolt M8 X 40 DIN 912	12	
A22	Bolt M8 X 20 DIN 912	24	
A23	Bolt M8 X 16 DIN 912	18	
A24	Bolt M8 X 20 DIN 7991	12	Countersunk.
A25	Bolt M8 X 20 DIN 7380-2	4	
A26	Washer M8 DIN 125-A	42	
A27	Washer M8 DIN 988	12	
A28	Slot-Nut M8	62	

BOX B - GT1-Pro Servo Mount HARDWARE KIT

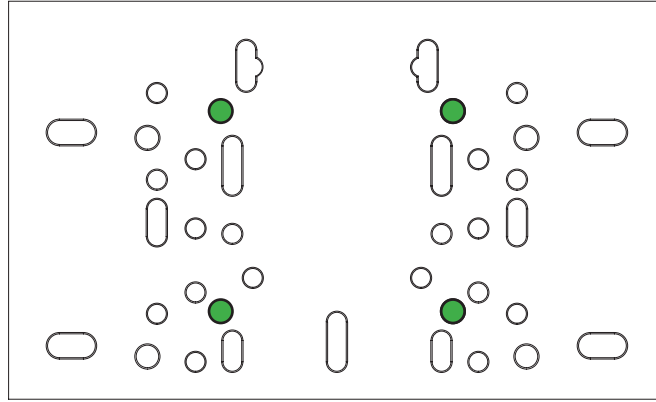
#	Part	QTY	Note
B1	Servo mount left	1	
B2	Servo mount right	1	
B3	Bolt M8 X 40 DIN 912	4	
B4	Bolt M8 X 25 DIN 912	4	
B5	Washer M8 DIN 125-A	16	
B6	Lock-Nut M8	8	

Disclaimer: for some entries on this page, we supply more than required as spare materials. Don't worry if you have some leftovers, this is intentional.

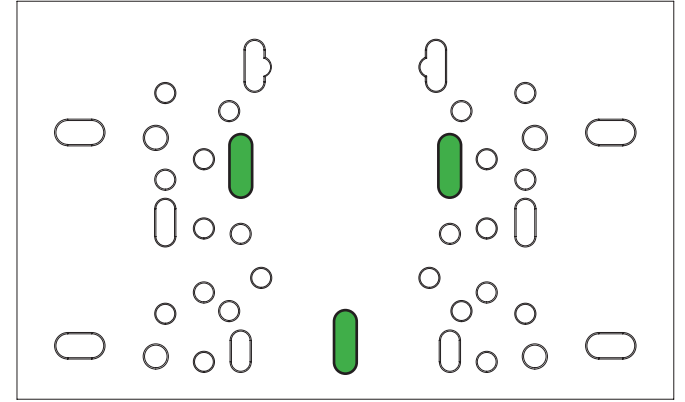
Accuforce 1/2



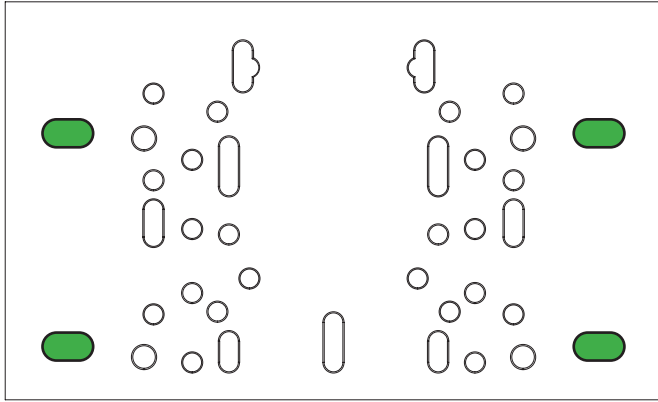
Asetek Forte/Prima



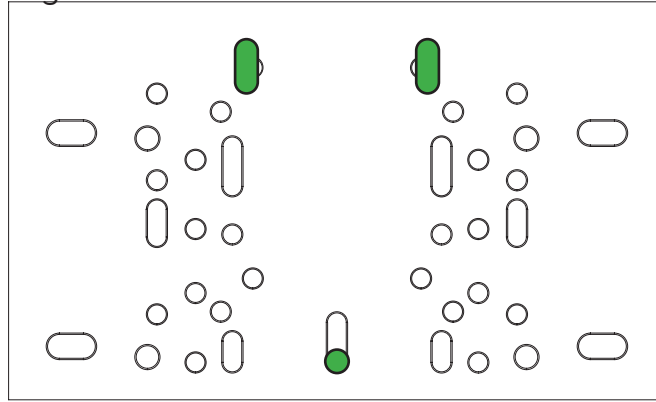
Fanatec



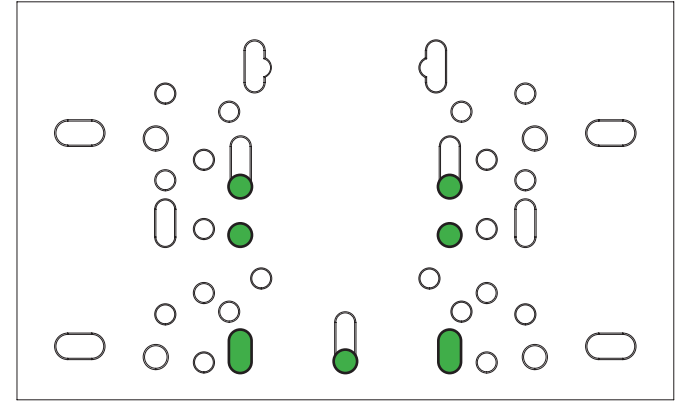
HRS/Sim-Lab Servo Mount



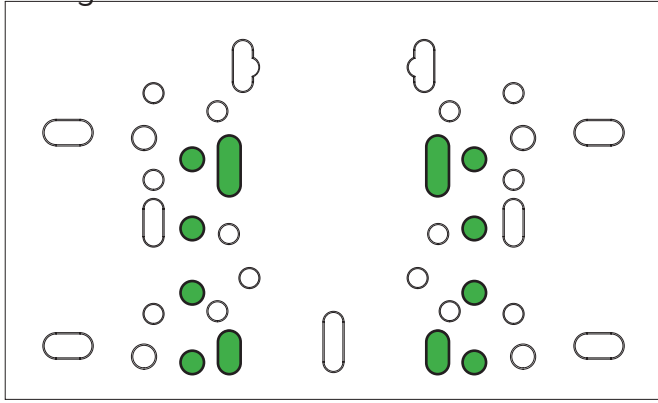
Logitech



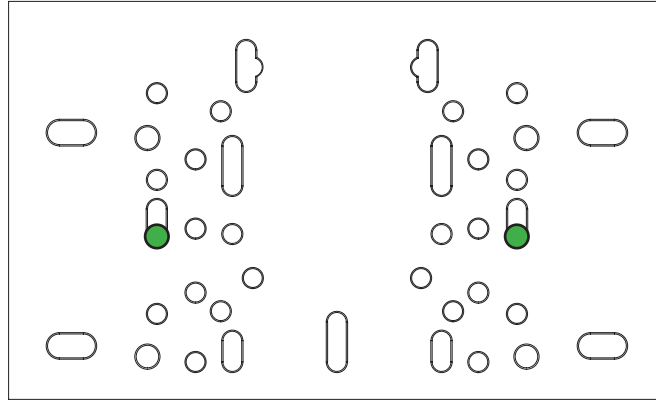
MOZA



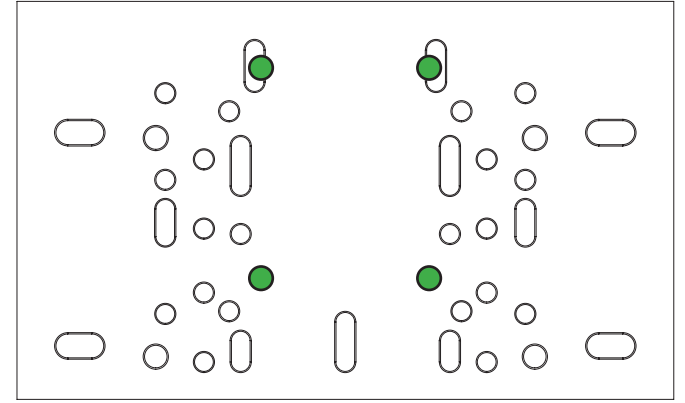
Simagic

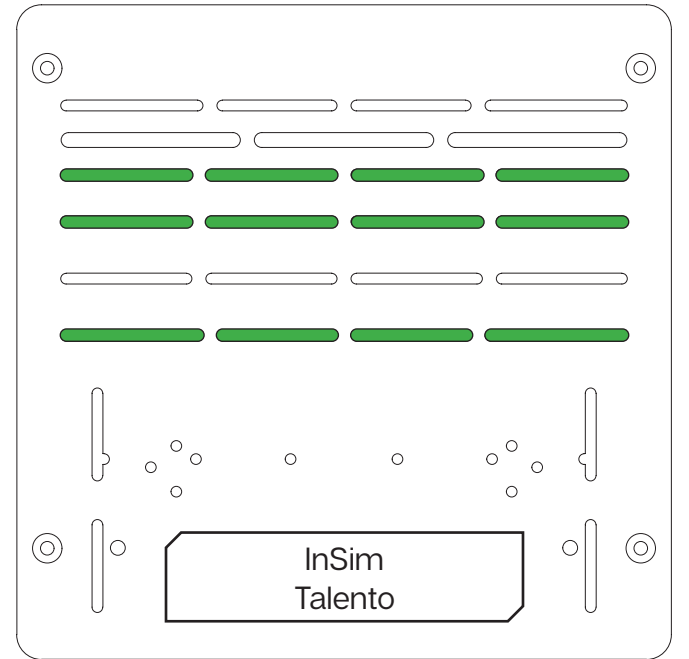
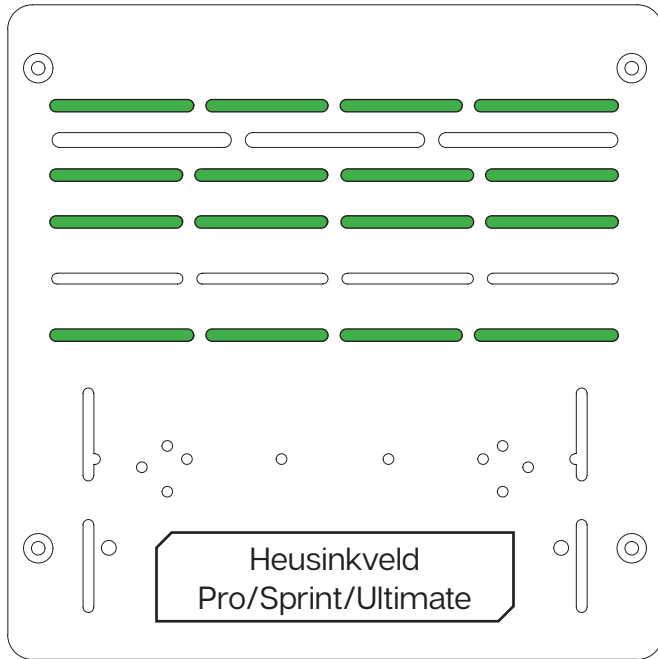
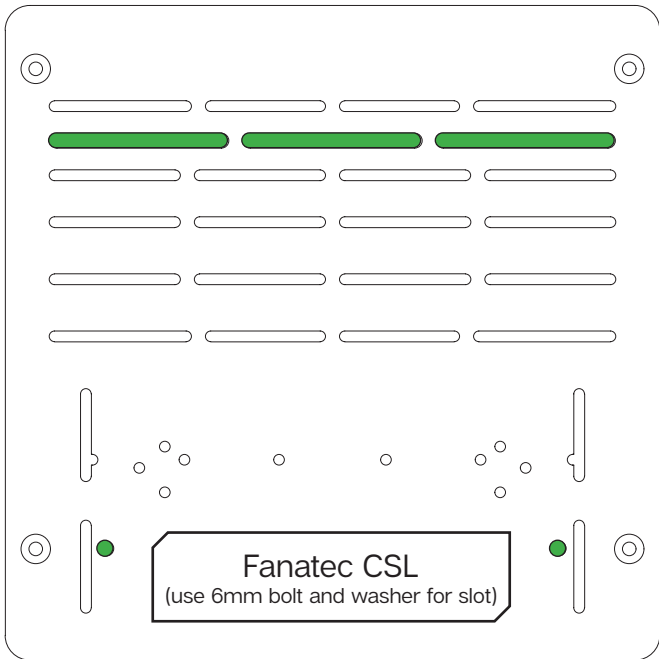
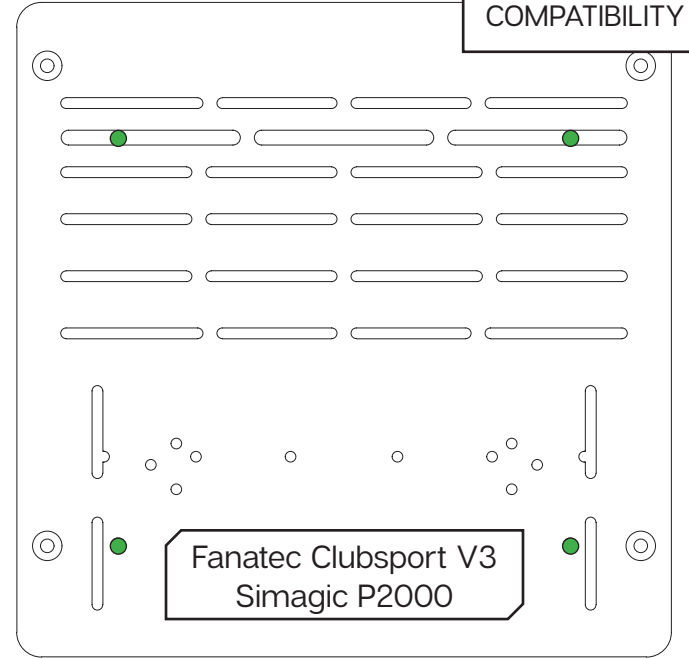
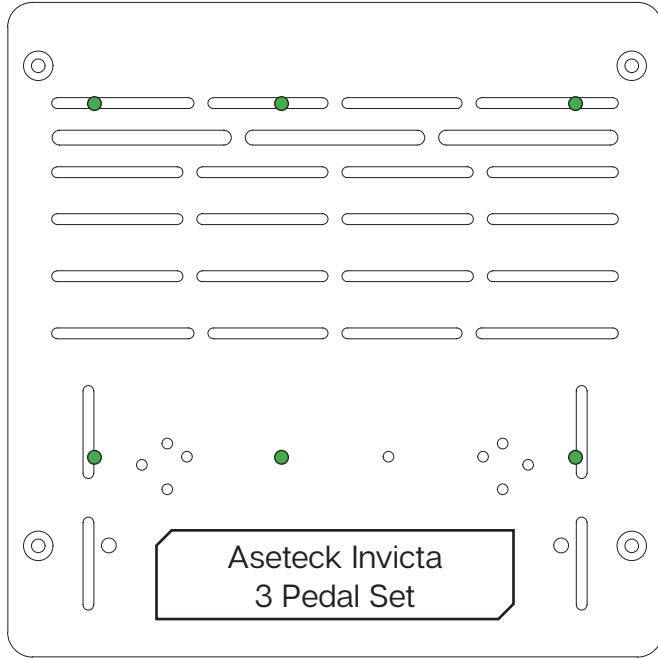
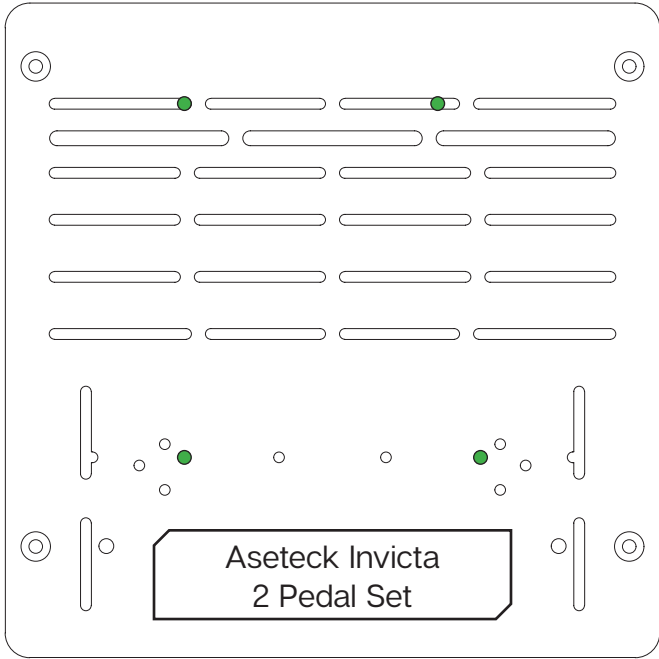


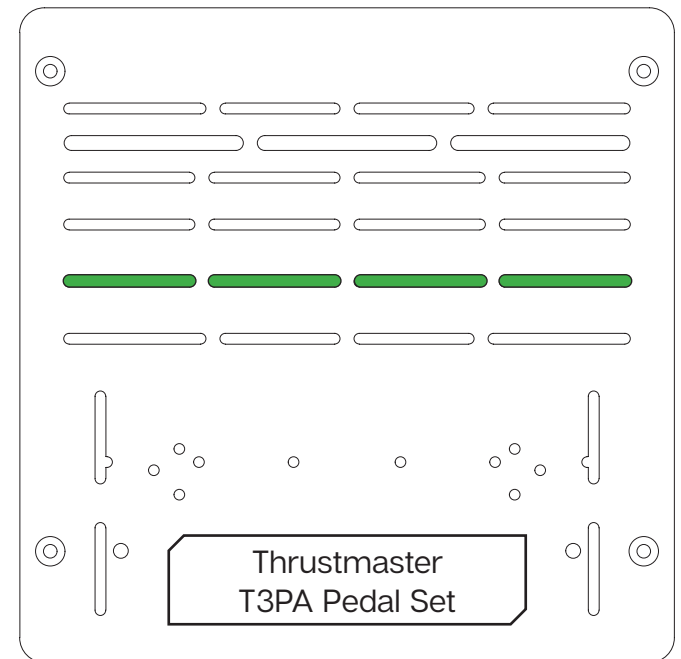
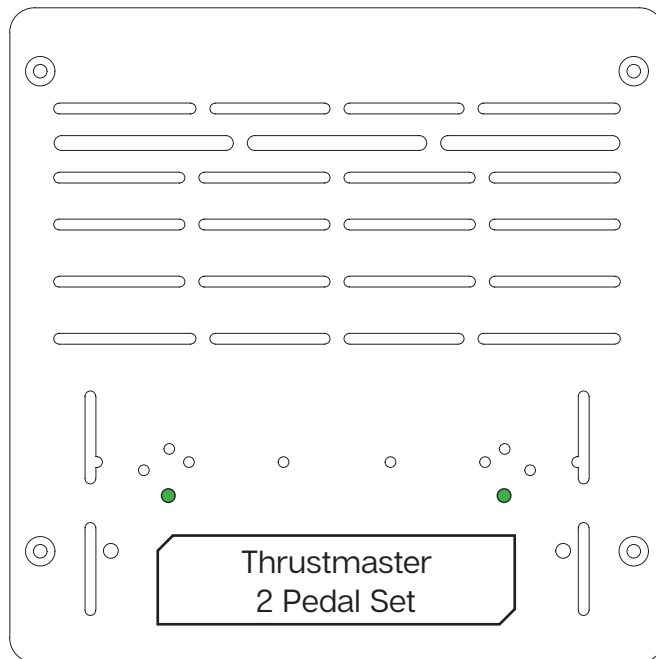
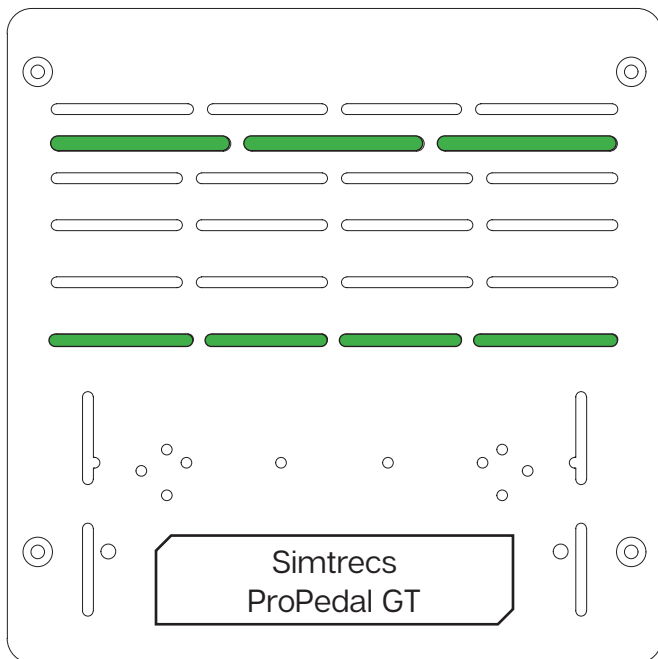
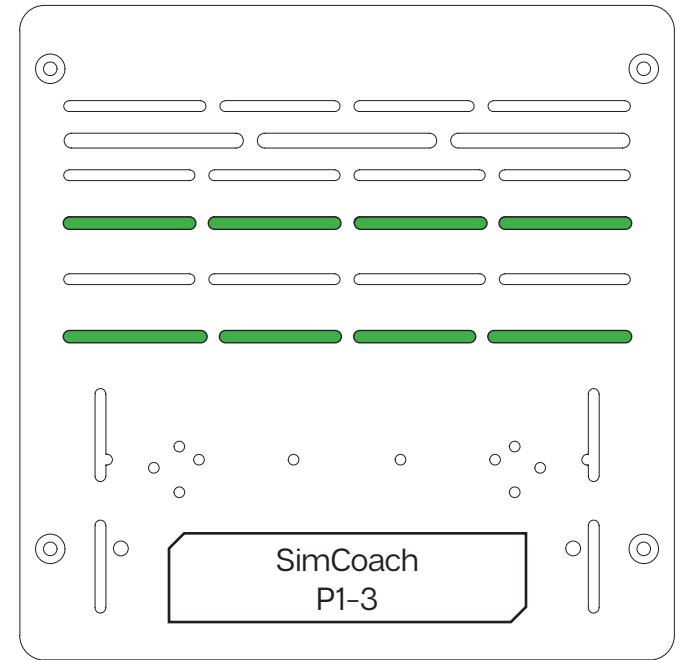
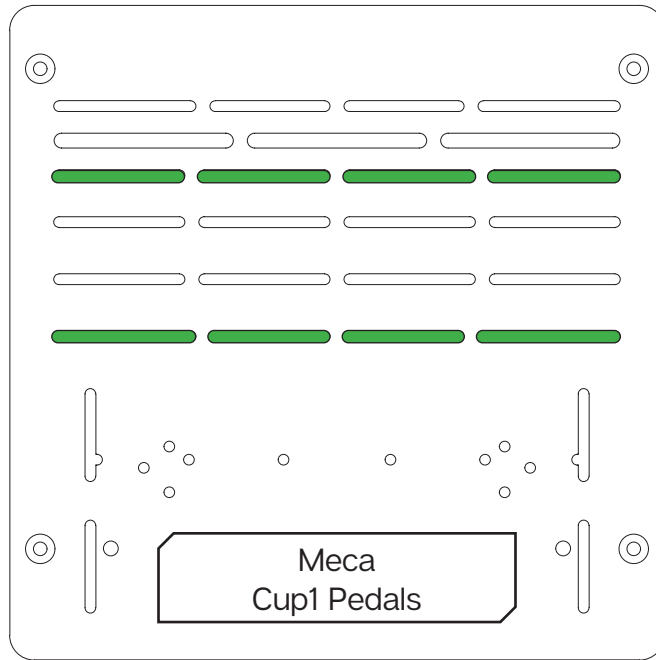
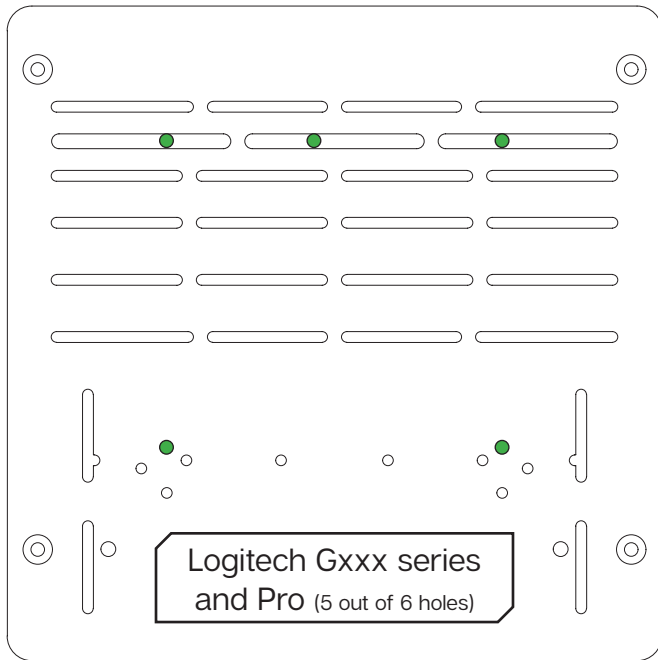
Thrustmaster

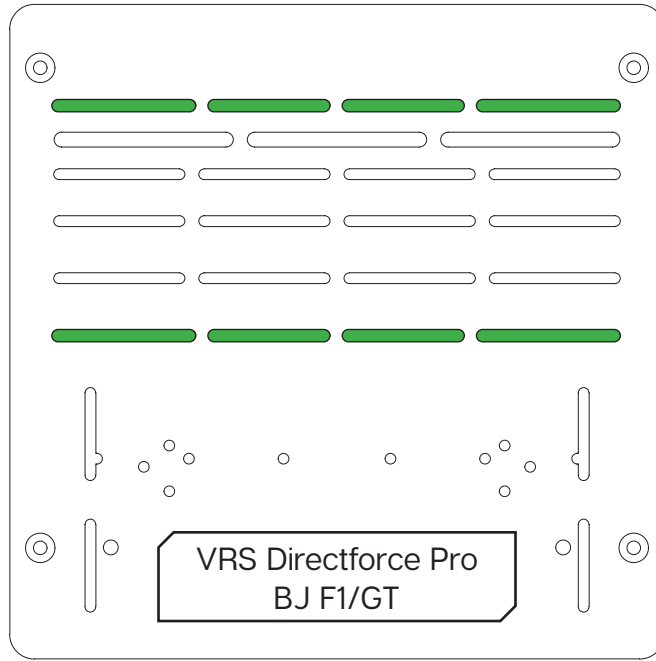
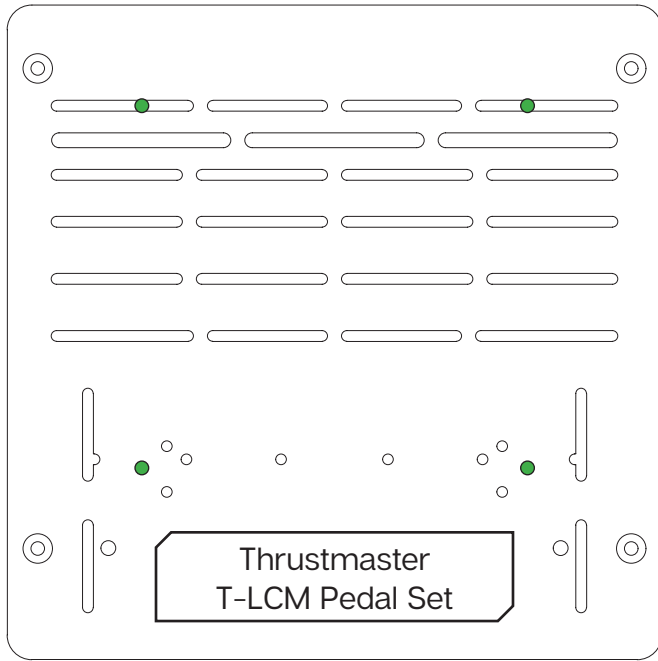


Thrustmaster T818









If you still have some questions regarding assembly of this product or about the manual itself, please refer to our support department. They can be reached at

support@sim-lab.eu

Alternatively, we now have a Discord server where there are quite some experienced Sim-Lab customers hanging out. They might just help you along if you ask them nicely ;)

www.sim-lab.eu/discord

If you feel like printing this manual, please consider the environment before doing so. For the best results, make sure you print at 100% scale without borders.

[Product page on the Sim-Lab website:](#)

