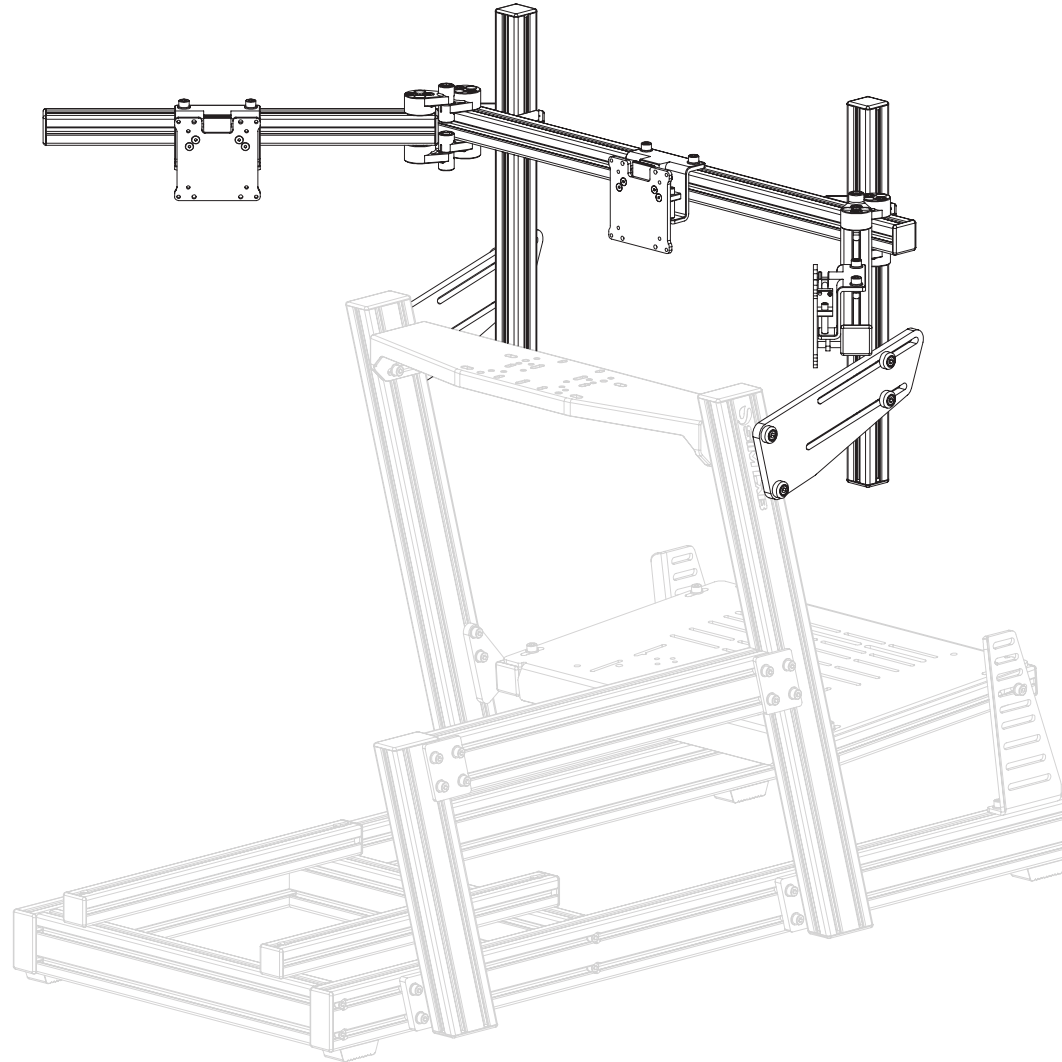


# **SIM LAB**

## INSTRUCTION MANUAL



## **GT1 INTEGRATED TRIPLE MONITOR MOUNT**

**VERSION 1.01**

Last updated: 12-12-2023

## BEFORE YOU START:

Thank you for purchasing this Sim-Lab product! On the following pages, you will find detailed instructions on assembly. This requires only a set of simple tools and some of your time. Please check the bill of materials before starting (page 14) and make sure all the parts are delivered.

This manual presumes you are building your GT1-Pro cockpit and fitting it with the GT1-Pro integrated triple monitor mount. For logistical reasons, the GT1-Pro integrated triple monitor mount hardware kit is an add-on to the GT1-Pro integrated single monitor mount.

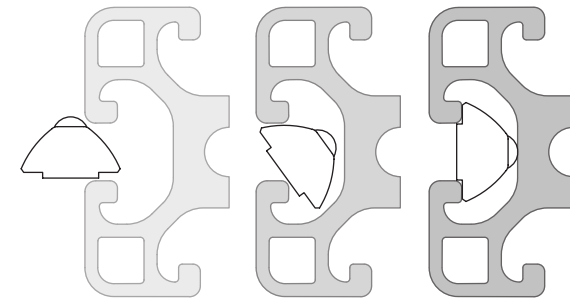
We encourage you to read the product manuals for included products if this one doesn't answer all of your questions. Please refer to the following if needed:

[www.sim-lab.eu/xero-play-pivots-manual](http://www.sim-lab.eu/xero-play-pivots-manual)

[www.sim-lab.eu/vario-vesa-manual](http://www.sim-lab.eu/vario-vesa-manual)

### Inserting Slot-Nuts:

You got excited, finished the build, put the caps on, but forgot to install one element. Do not worry. It happens to everyone. In this diagram, you can see how to insert a Slot-Nut directly into the slot from the side. You can also use one of your smaller Hex wrenches to help wiggle the Slot-Nut in place.



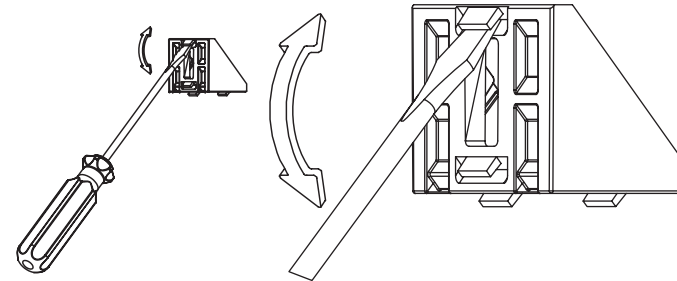
### Breaking tabs:

Sometimes tabs from corner brackets need to be broken off in order to fit as instructed. Place a flathead screwdriver behind the tab and tilt upwards.

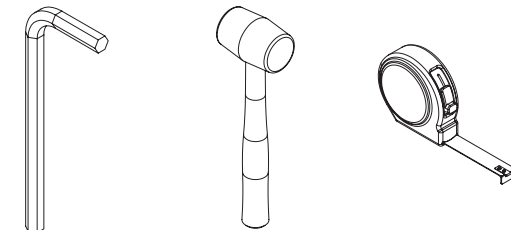
Always make sure to point away from you while doing so.

To know when to do this, we will show the following

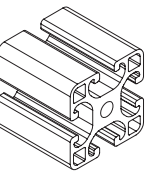
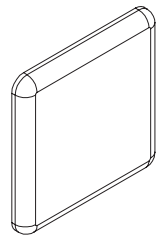
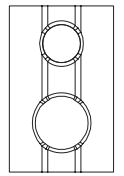
symbol  next to the brackets.

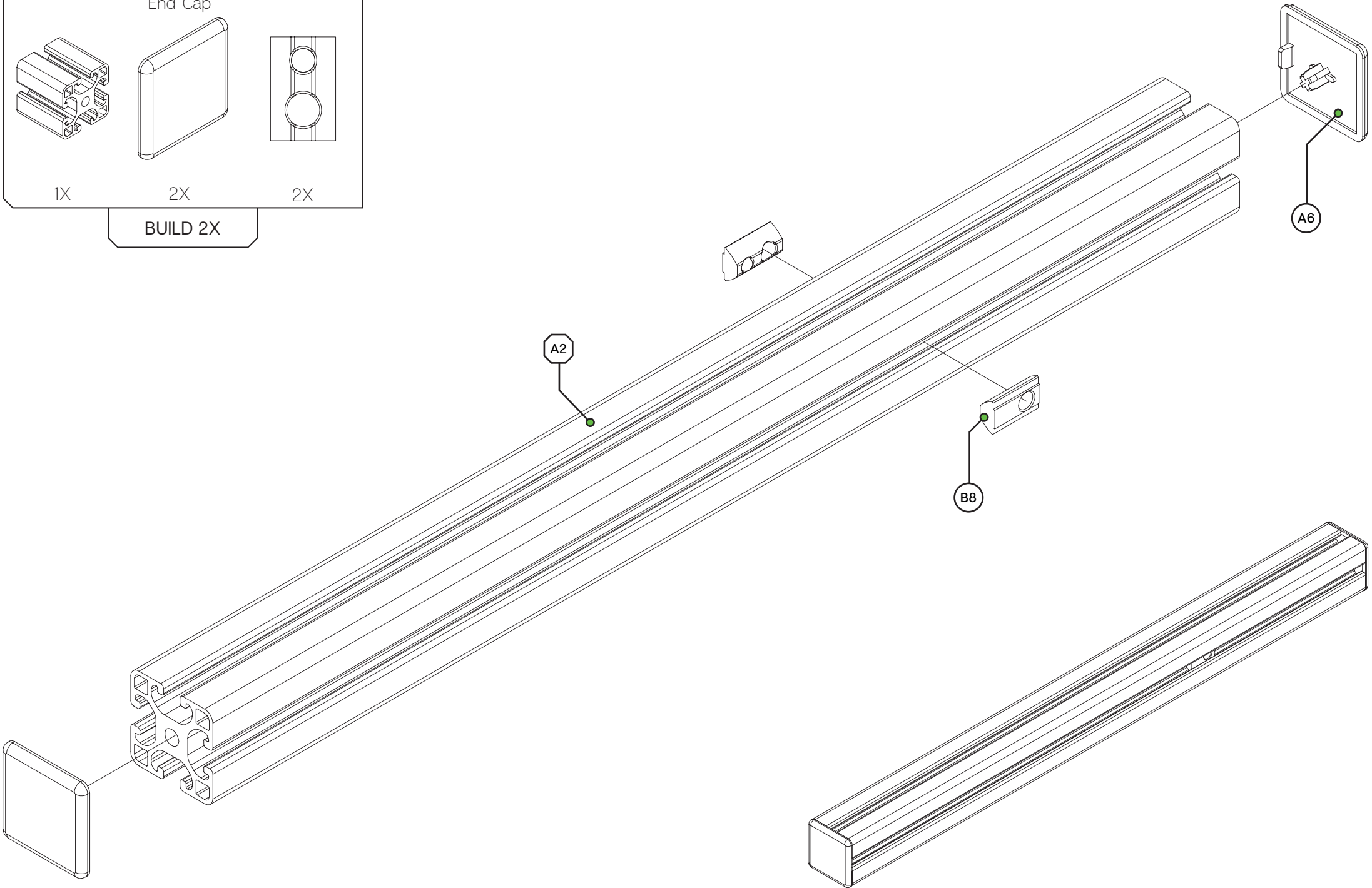


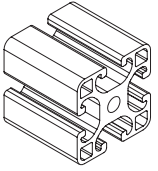
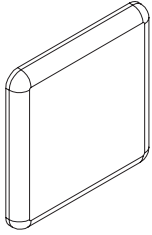
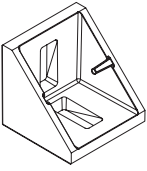
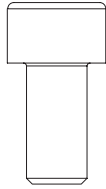
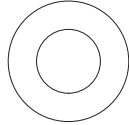
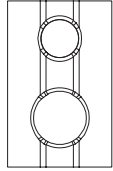
### Tools needed:

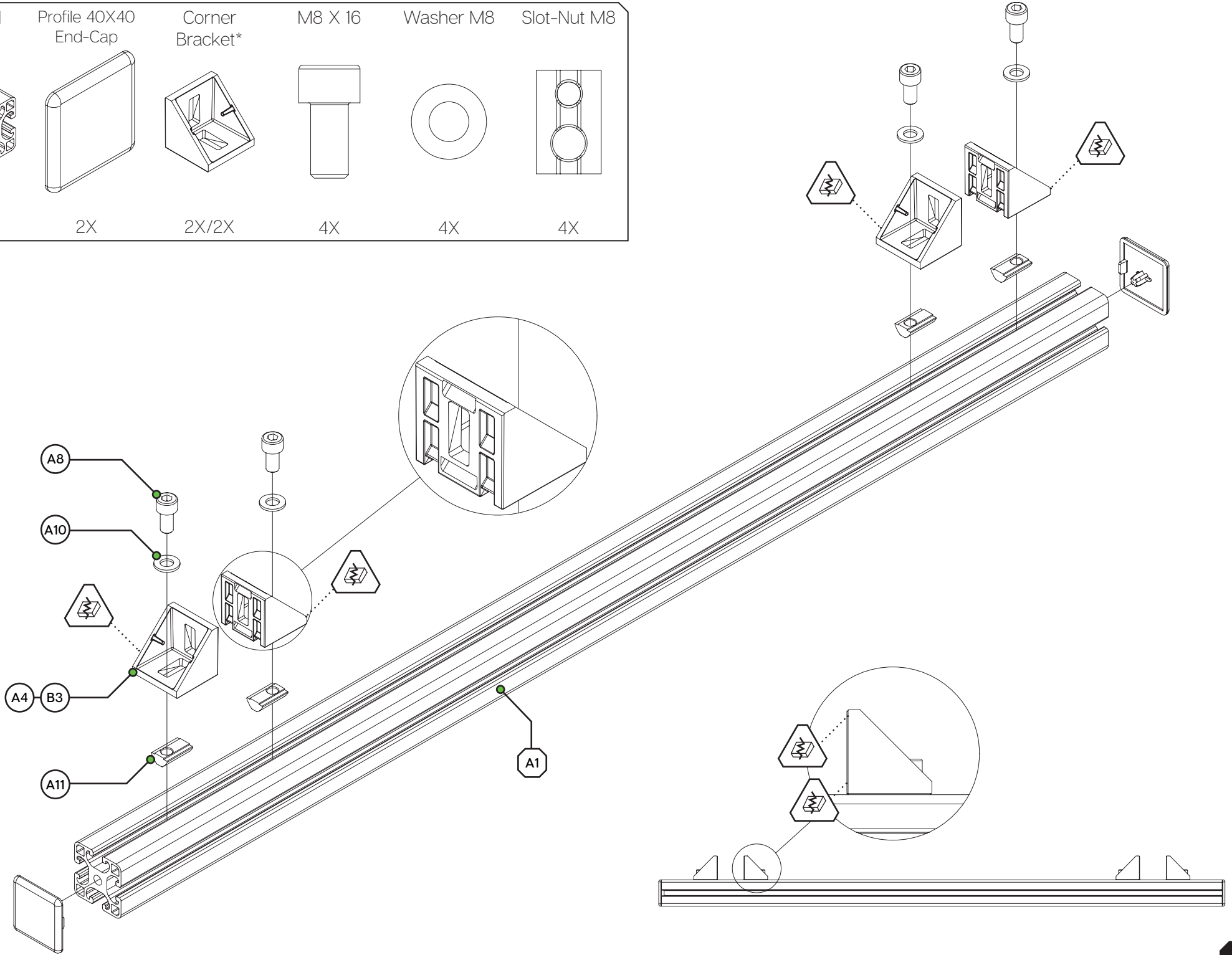


6MM

500MM	Profile 40X40 End-Cap	Slot-Nut M8
		
1X	2X	2X
BUILD 2X		

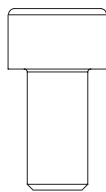


850MM	Profile 40X40 End-Cap	Corner Bracket*	M8 X 16	Washer M8	Slot-Nut M8
					
1X	2X	2X/2X	4X	4X	4X

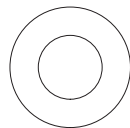


M8 X 16

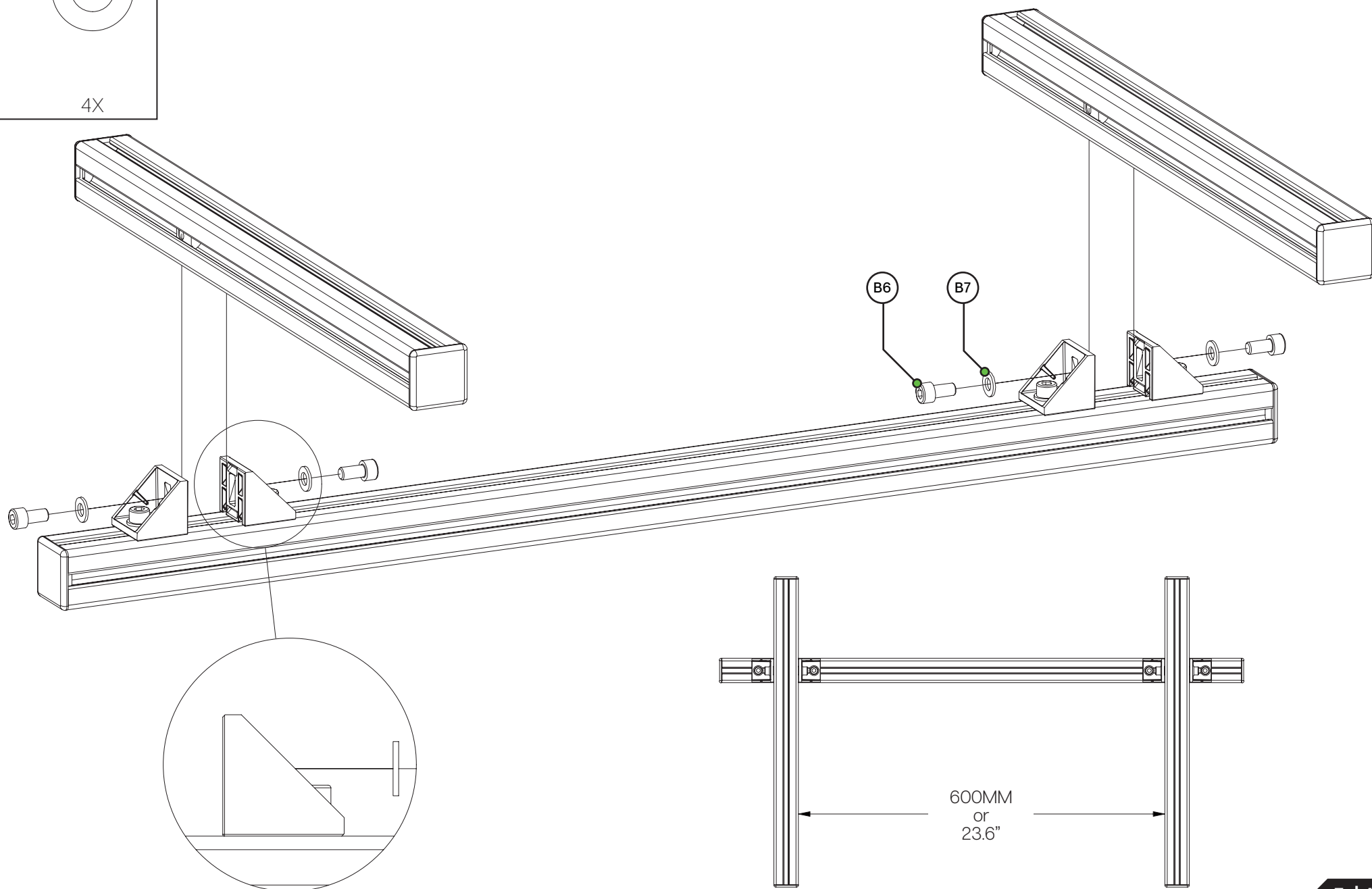
Washer M8



4X



4X

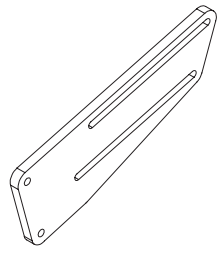


Integrated Bracket

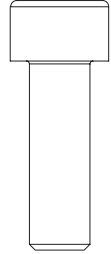
M8 X 25

Cap-Washer  
M8

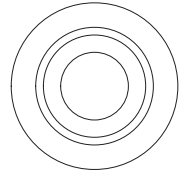
Slot-Nut M8



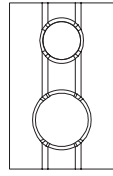
2X



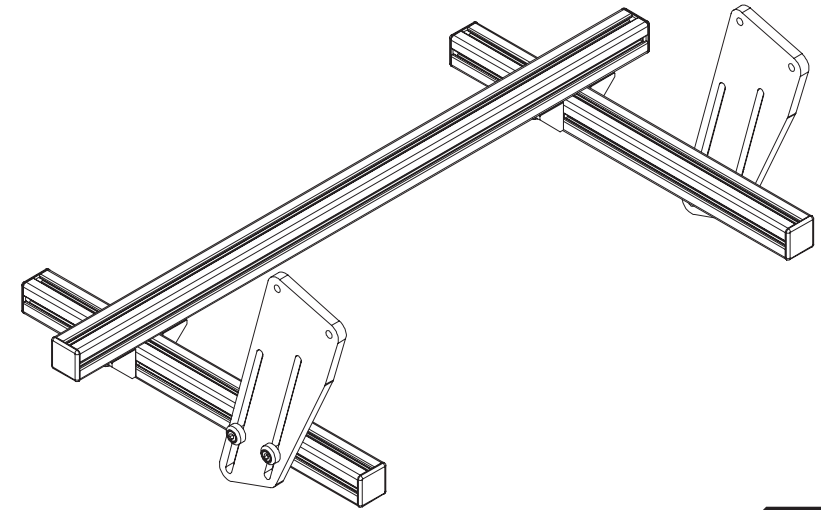
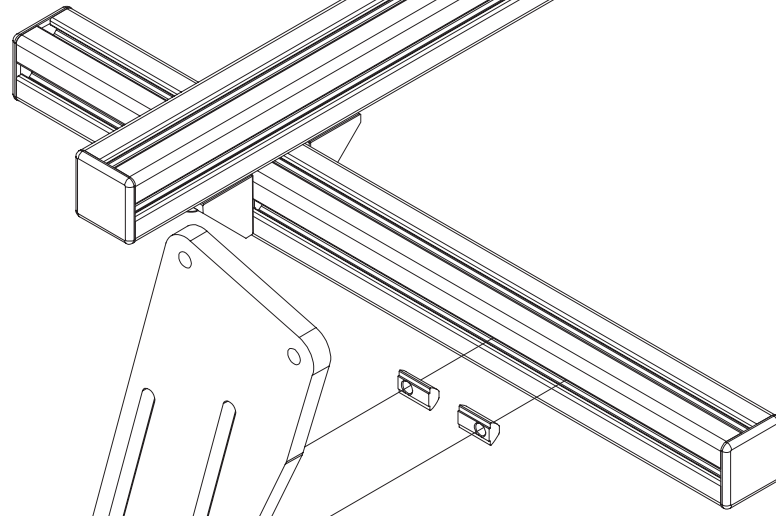
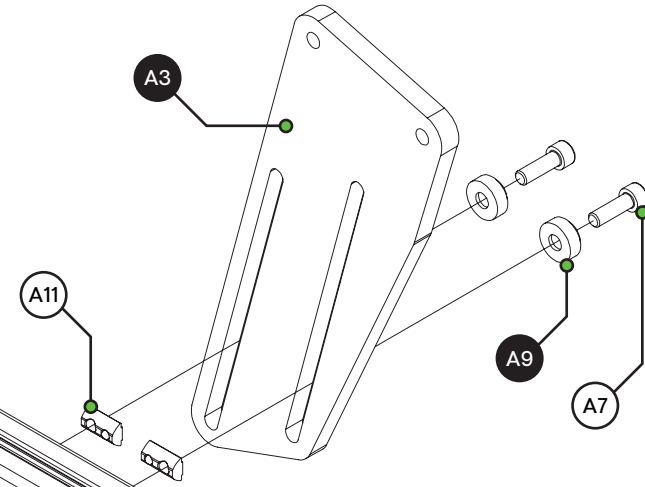
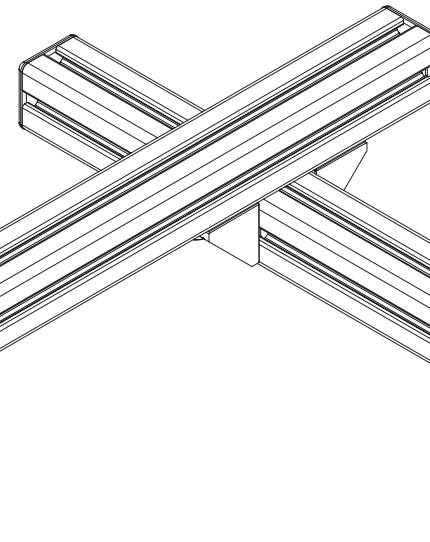
4X



4X



4X



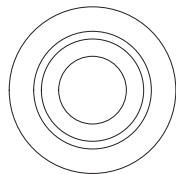
M8 X 25

Cap-Washer  
M8

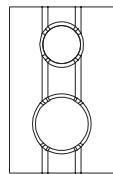
Slot-Nut M8



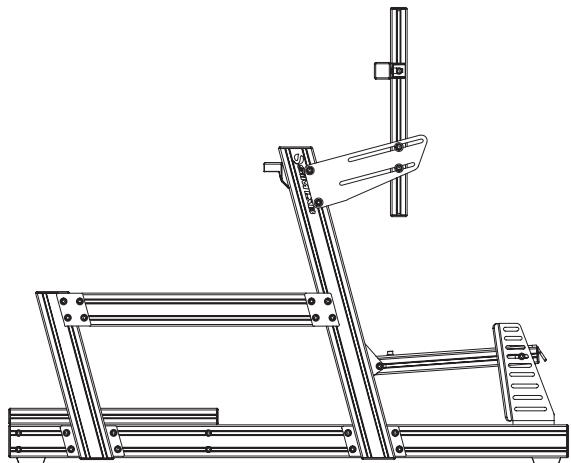
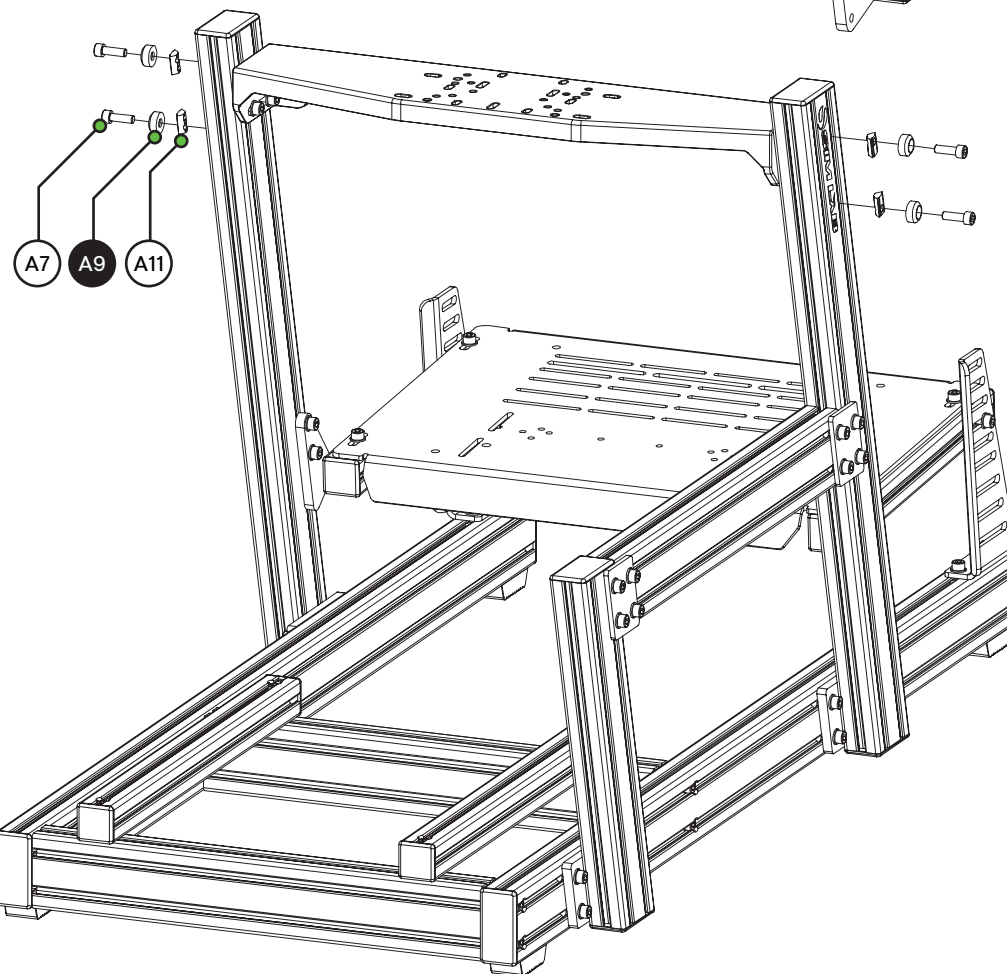
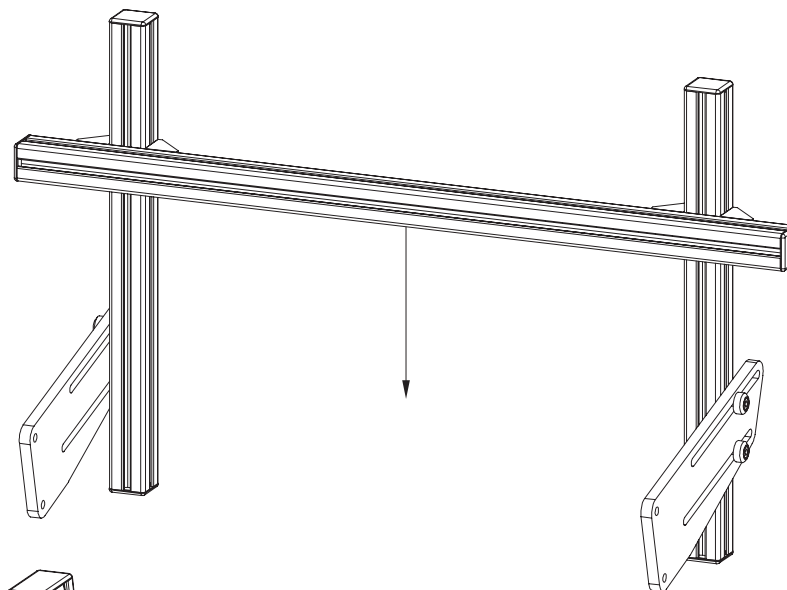
4X



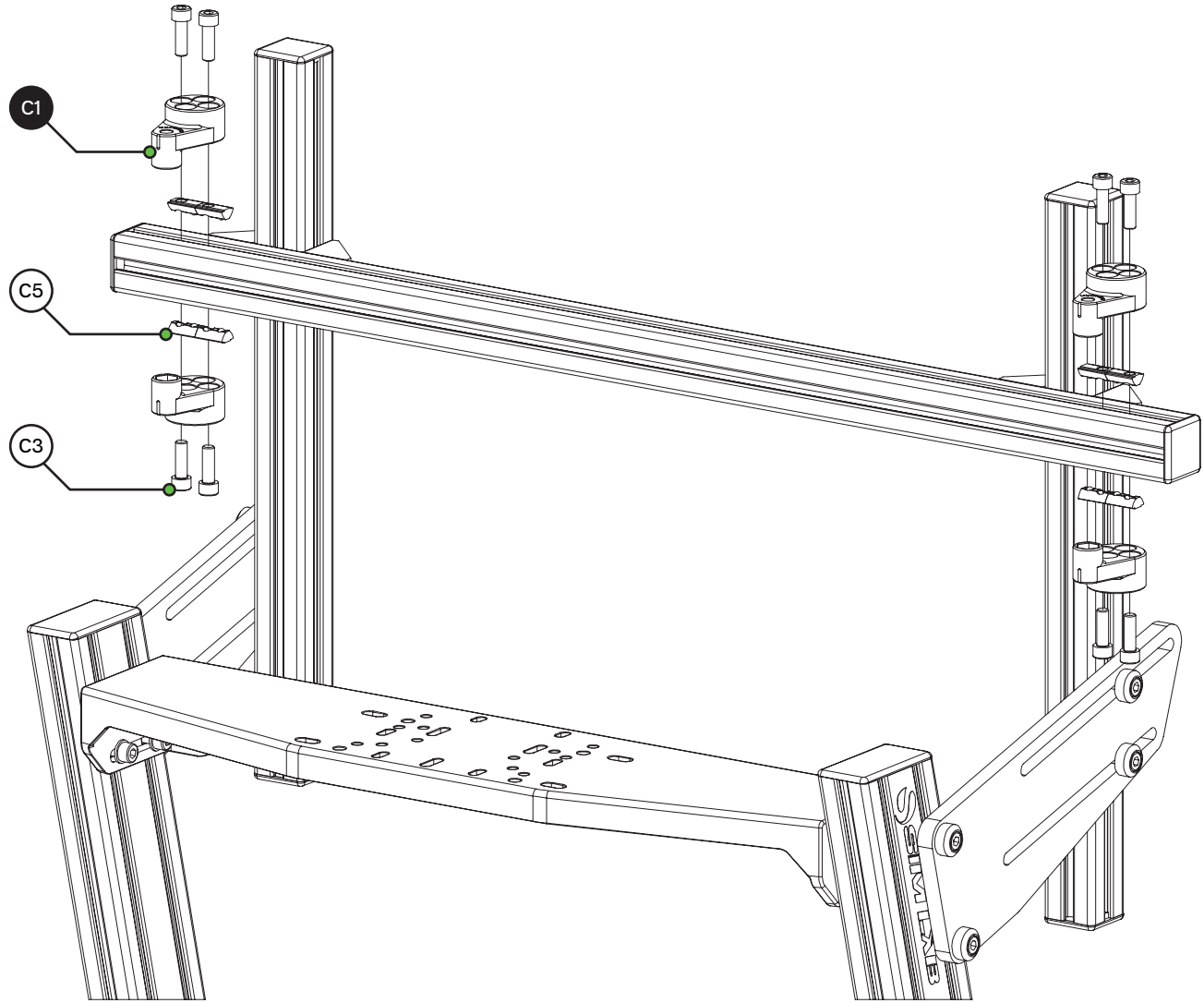
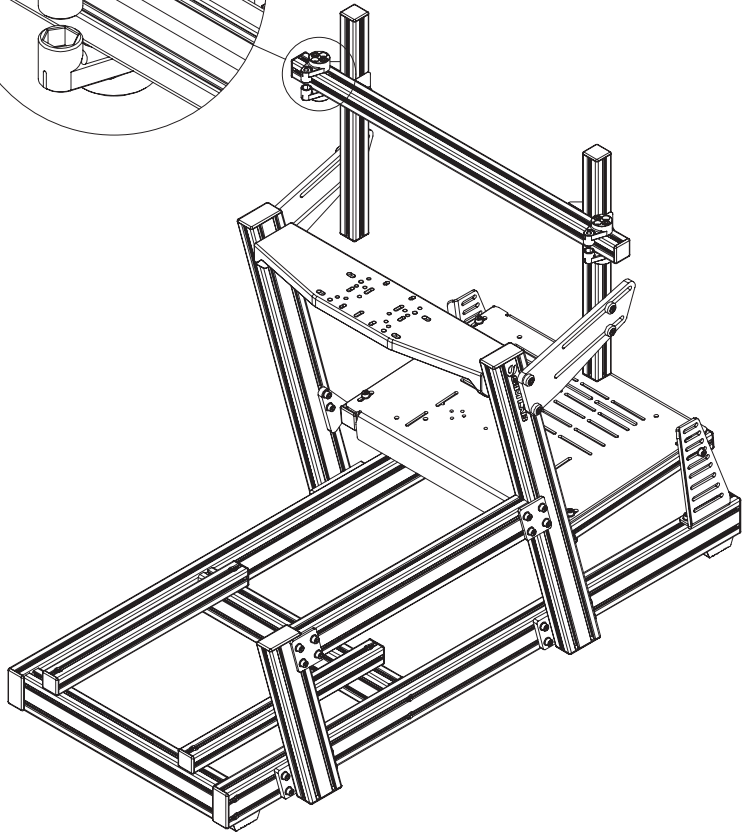
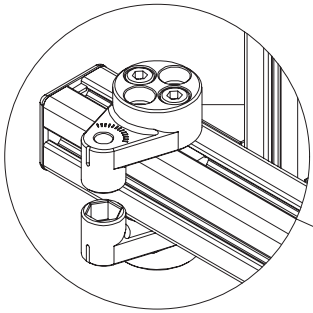
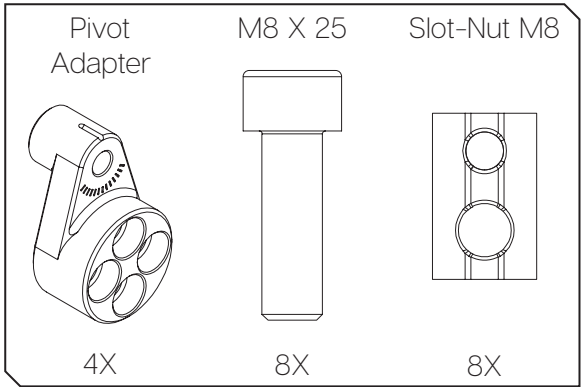
4X



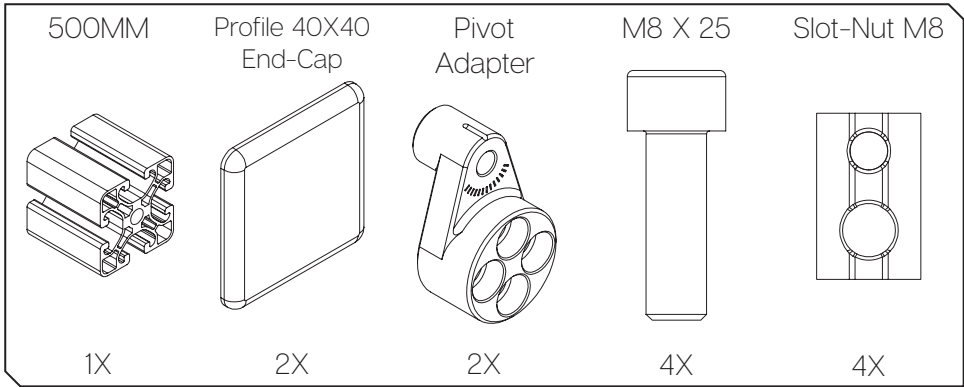
4X



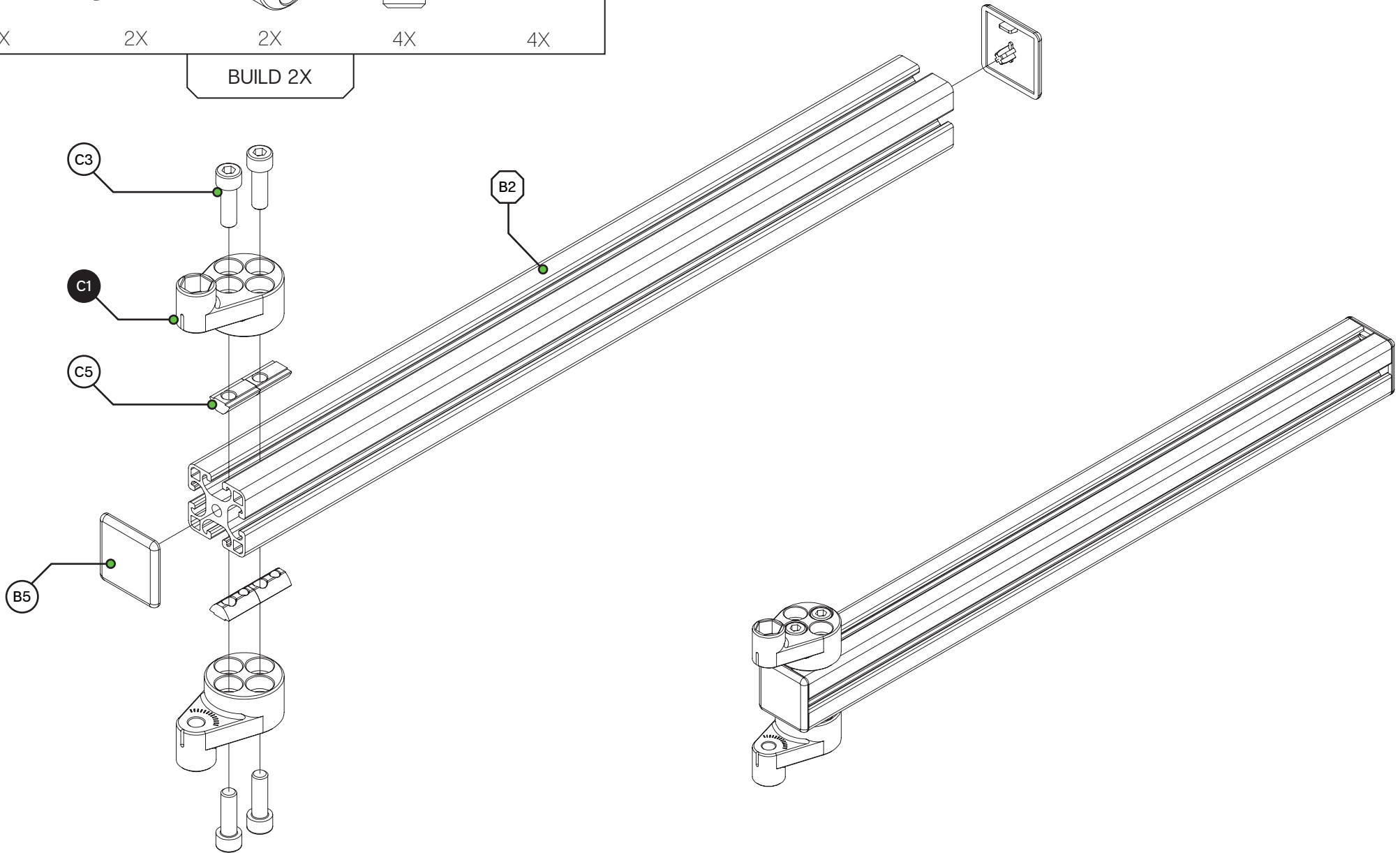






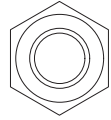
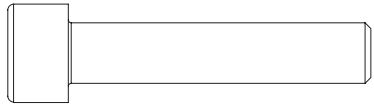


**BUILD 2X**



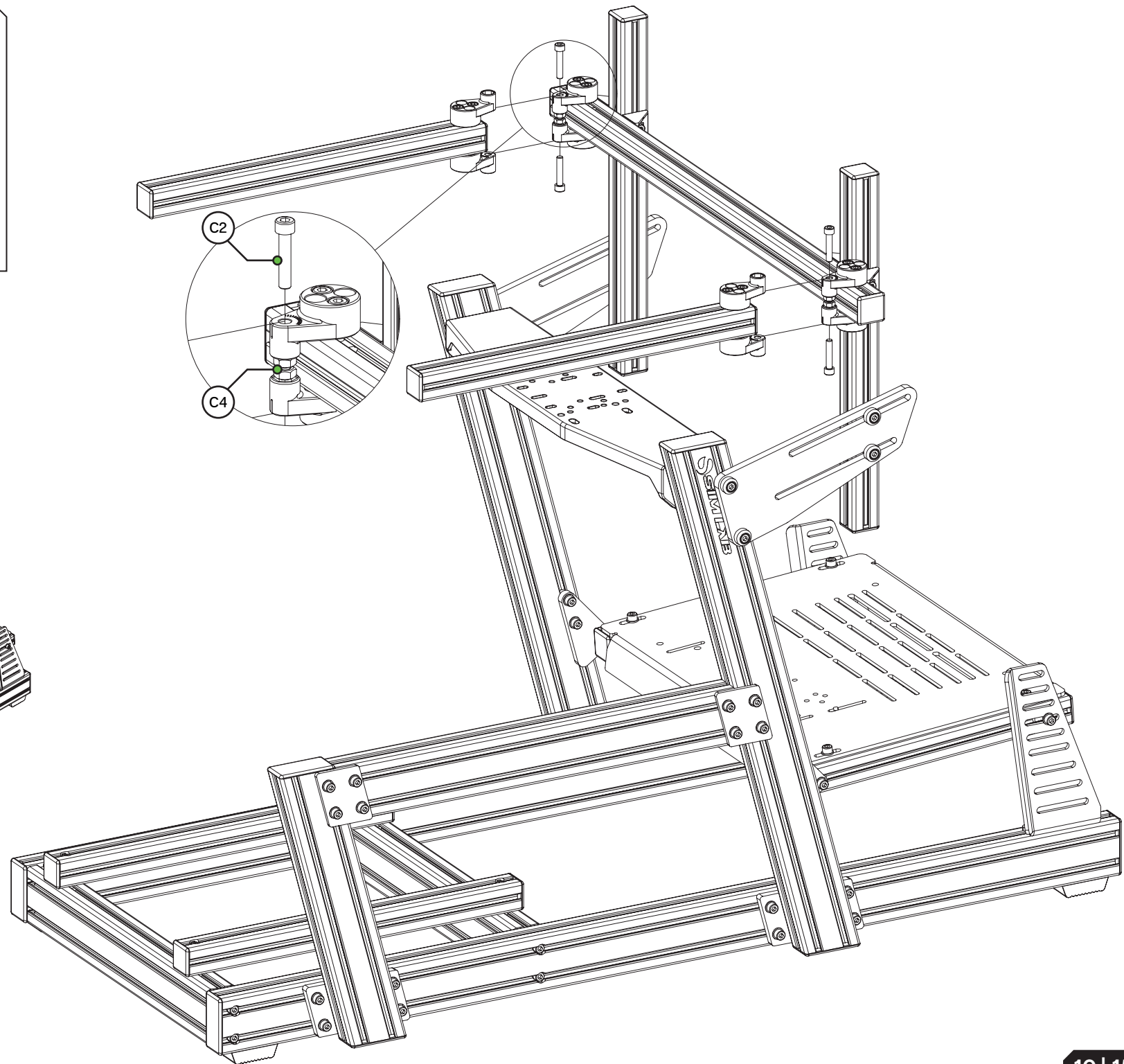
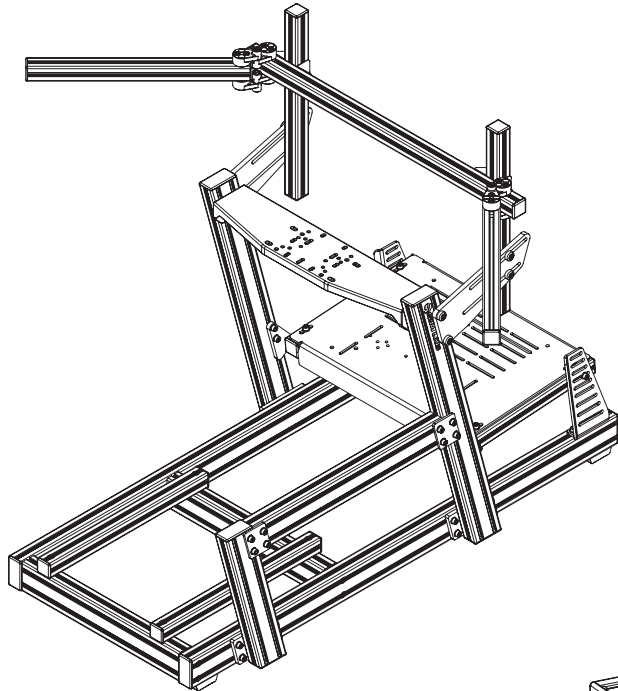
M8 X 40

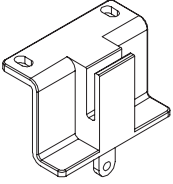
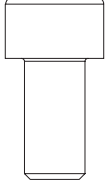
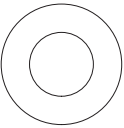
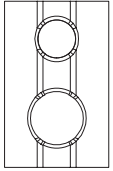
Nut M8

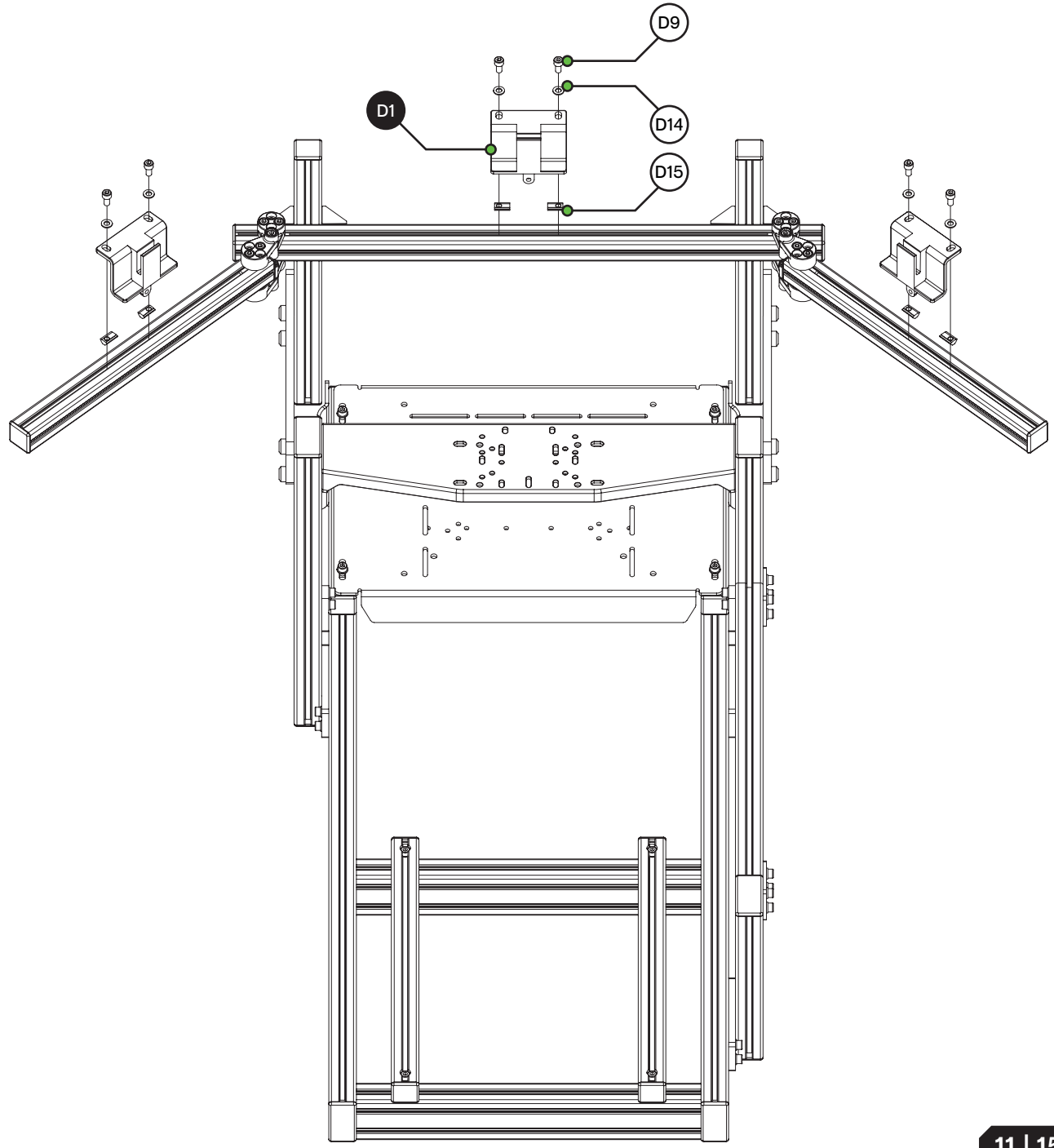
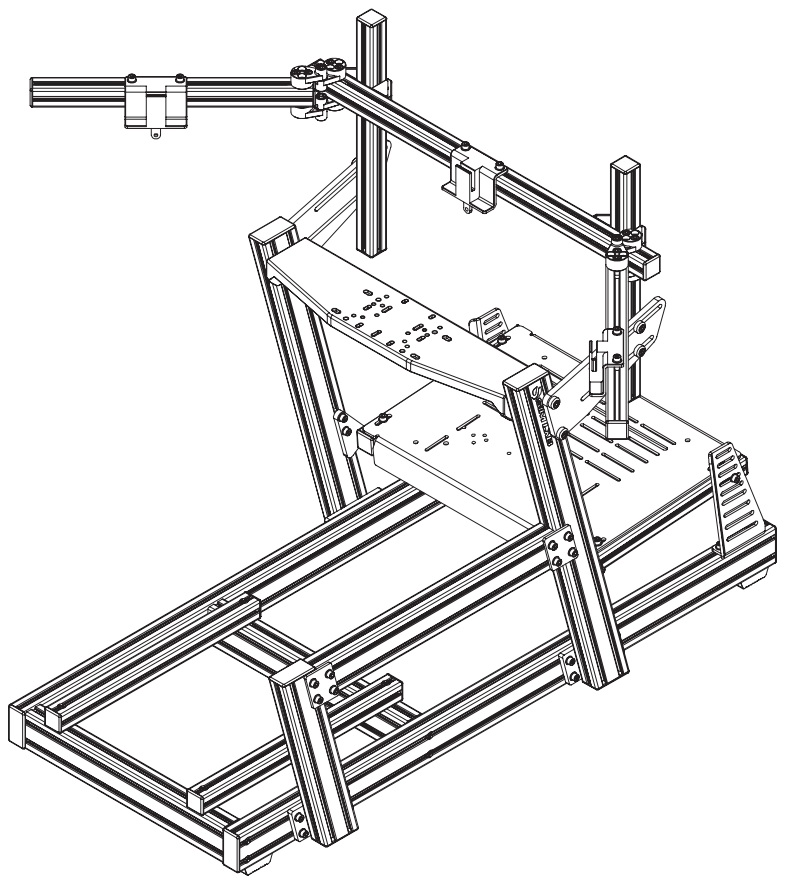


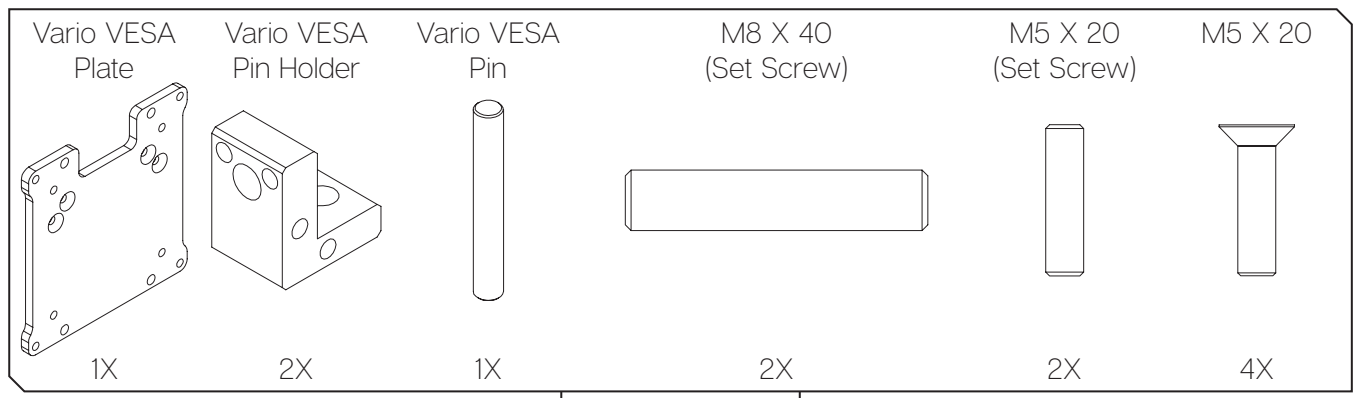
4X

4X

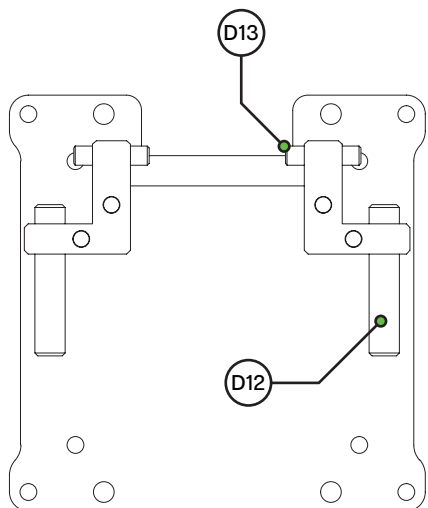
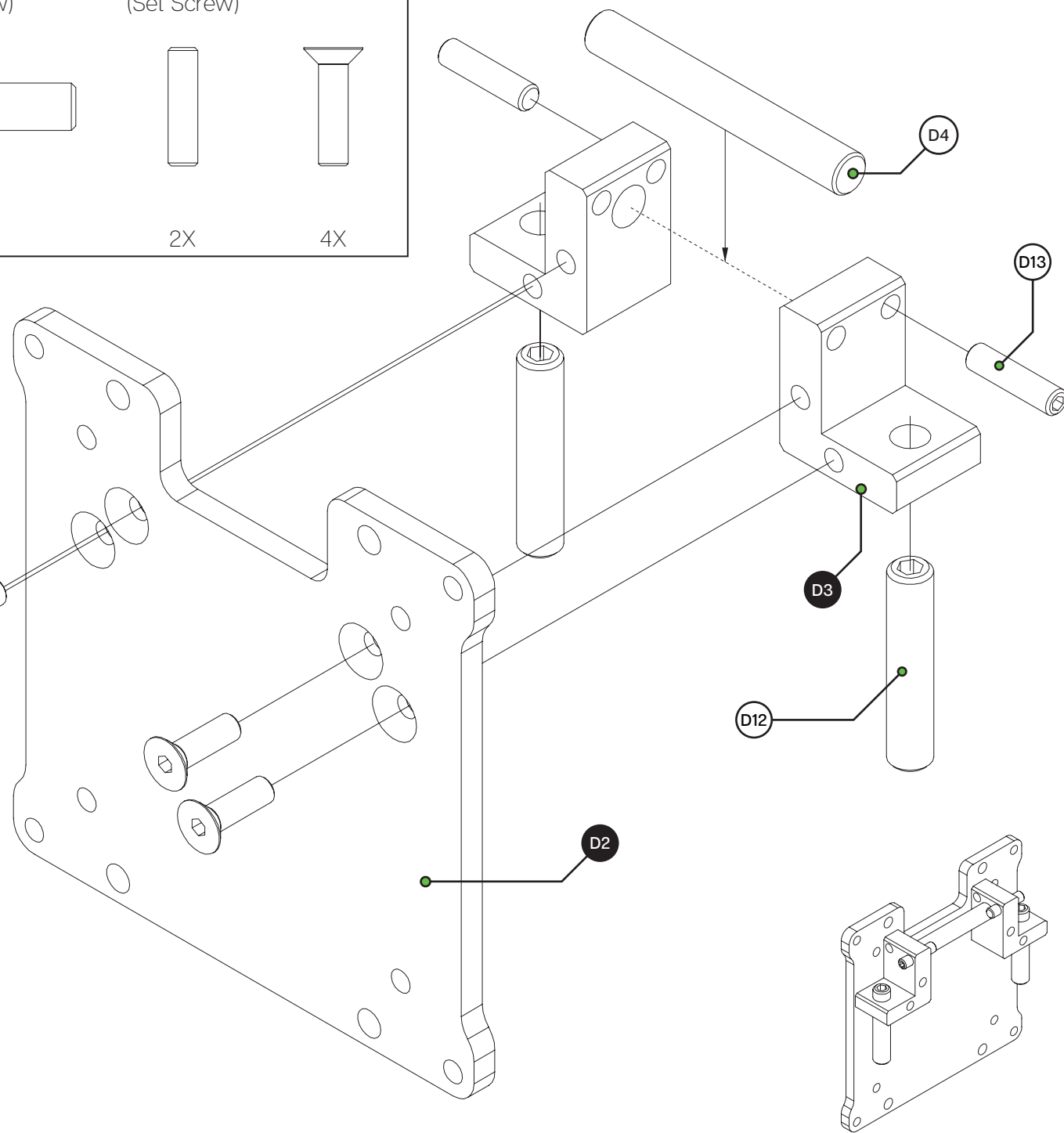


Vario VESA Holder	M8 X 16	Washer M8	Slot-Nut M8
			
3X	6X	6X	6X





**BUILD 3X**

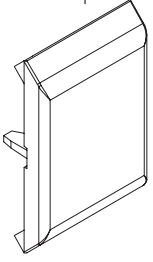


When parts D12 and D13 are installed like above, monitors are easy to install in a neutral position. Parts D12 can be adjusted to change the tilt and/or height.

Parts D13 can be adjusted to adjust the monitor sideways if needed, and fix it in place.

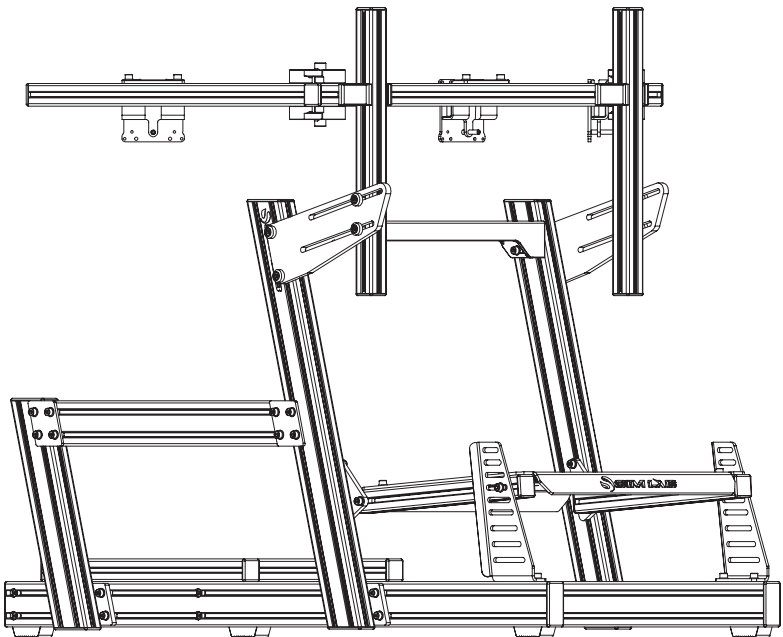
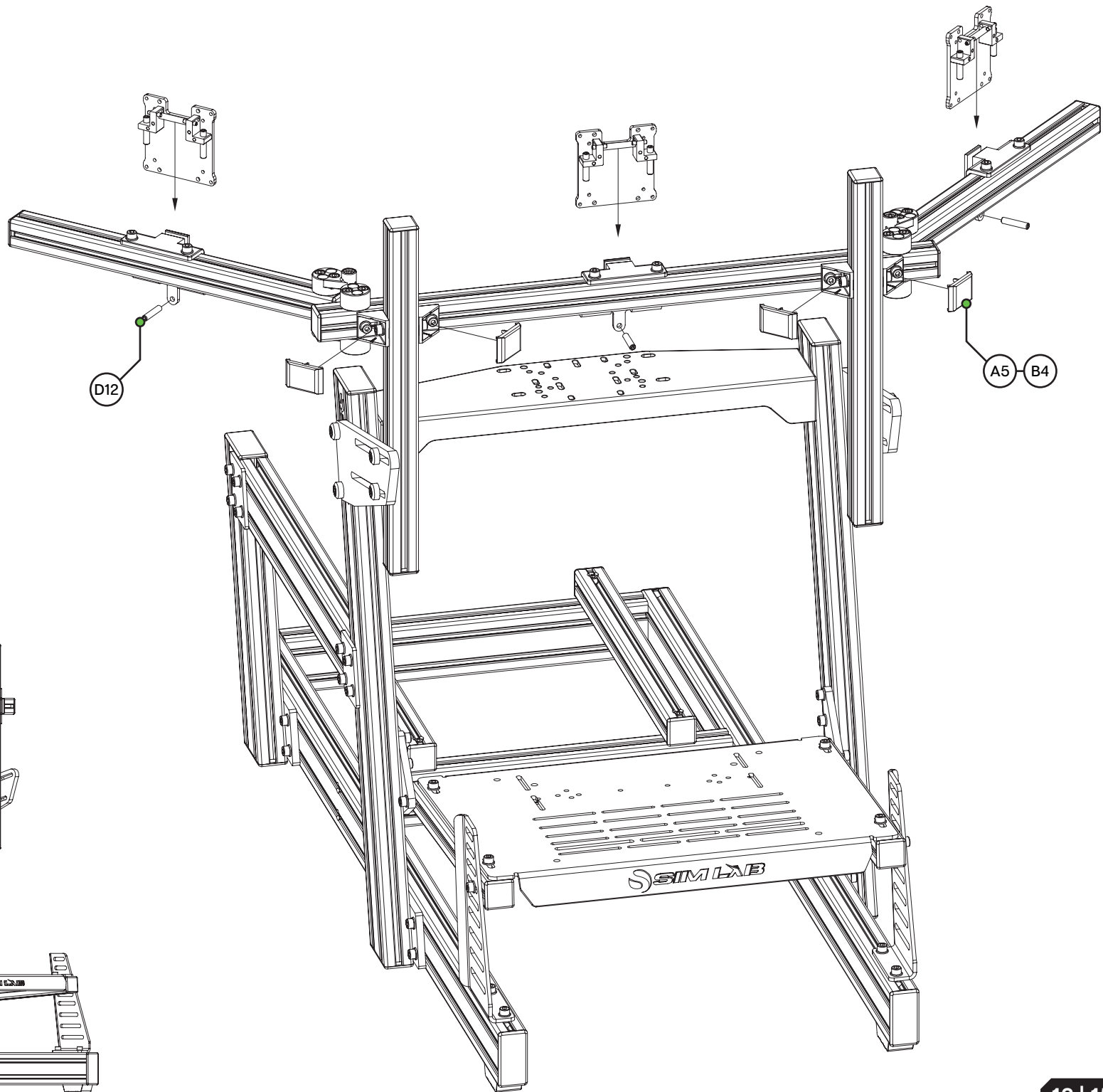
Corner Bracket  
Cap

M8 X 40  
(Set Screw)



2X/2X

3X



**BOX A - GT1-Pro Integrated Monitor Mount  
PROFILE KIT**

#	Part	QTY	Note
A1	40X40 Length=600mm	1	Only for integrated single.
A2	40X40 Length=500mm	2	

**HARDWARE KIT**

A3	Integrated bracket	2	
A4	Corner bracket 40x40	2	
A5	Corner bracket 40x40 cap	2	
A6	Profile 40x40 end-cap	4	
A7	Bolt M8 X 25 DIN 912	8	
A8	Bolt M8 X 16 DIN 912	4	
A9	Cap-Washer M8	8	
A10	Washer M8 DIN 125-A	4	
A11	Slot-Nut M8	12	

**BOX B - GT1-Pro Integrated Triple Monitor Mount  
PROFILE KIT**

#	Part	QTY	Note
B1	40X40 Length=850mm	1	Replaces A1.
B2	40X40 Length=500mm	2	

**HARDWARE KIT**

B3	Corner bracket 40x40	2	
B4	Corner bracket 40x40 cap	2	
B5	Profile 40x40 end-cap	6	
B6	Bolt M8 X 16 DIN 912	4	
B7	Washer M8 DIN 125-A	4	
B8	Slot-Nut M8	4	

**BOX C - Xero-Play Triple Pivot Set  
HARDWARE KIT**

#	Part	QTY	Note
C1	Xero-Play triple pivot adapter	8	
C2	Bolt M8 X 40 DIN 912	4	
C3	Bolt M8 X 25 DIN 912	16	
C4	Nut M8	4	
C5	Slot-Nut M8	16	

**BOX D - Vario VESA Single Adapter (X3)  
HARDWARE KIT**

#	Part	QTY	Note
D1	Vario VESA holder	1	
D2	Vario VESA plate	1	
D3	Vario VESA pin holder	2	
D4	Vario VESA pin	1	
D5	Bolt M6 X 12 DIN 7991	4	Used with VESA 100/200 adapter.
D6	Bolt M5 X 20 DIN 7991	4	
D7	Bolt M4 X 16 DIN 7985	4	Philips head.
D8	Bolt M4 X 10 DIN 7985	4	Philips head.
D9	Bolt M8 X 16 DIN 912	2	
D10	Bolt M6 X 16 DIN 912	4	
D11	Bolt M5 X 16 DIN 912	4	
D12	Set screw M8 X 40 DIN 916	3	
D13	Set screw M5 X 20 DIN 916	2	
D14	Washer M8 DIN 125-A	2	
D15	Slot-Nut M8	2	

If you still have some questions regarding assembly of this product or about the manual itself, please refer to our support department. They can be reached at

support@sim-lab.eu

Alternatively, we now have a Discord server where there are quite some experienced Sim-Lab customers hanging out. They might just help you along if you ask them nicely ;)

[www.sim-lab.eu/discord](http://www.sim-lab.eu/discord)

If you feel like printing this manual, please consider the environment before doing so. For the best results, make sure you print at 100% scale without borders.

[Product page on the Sim-Lab website:](#)

