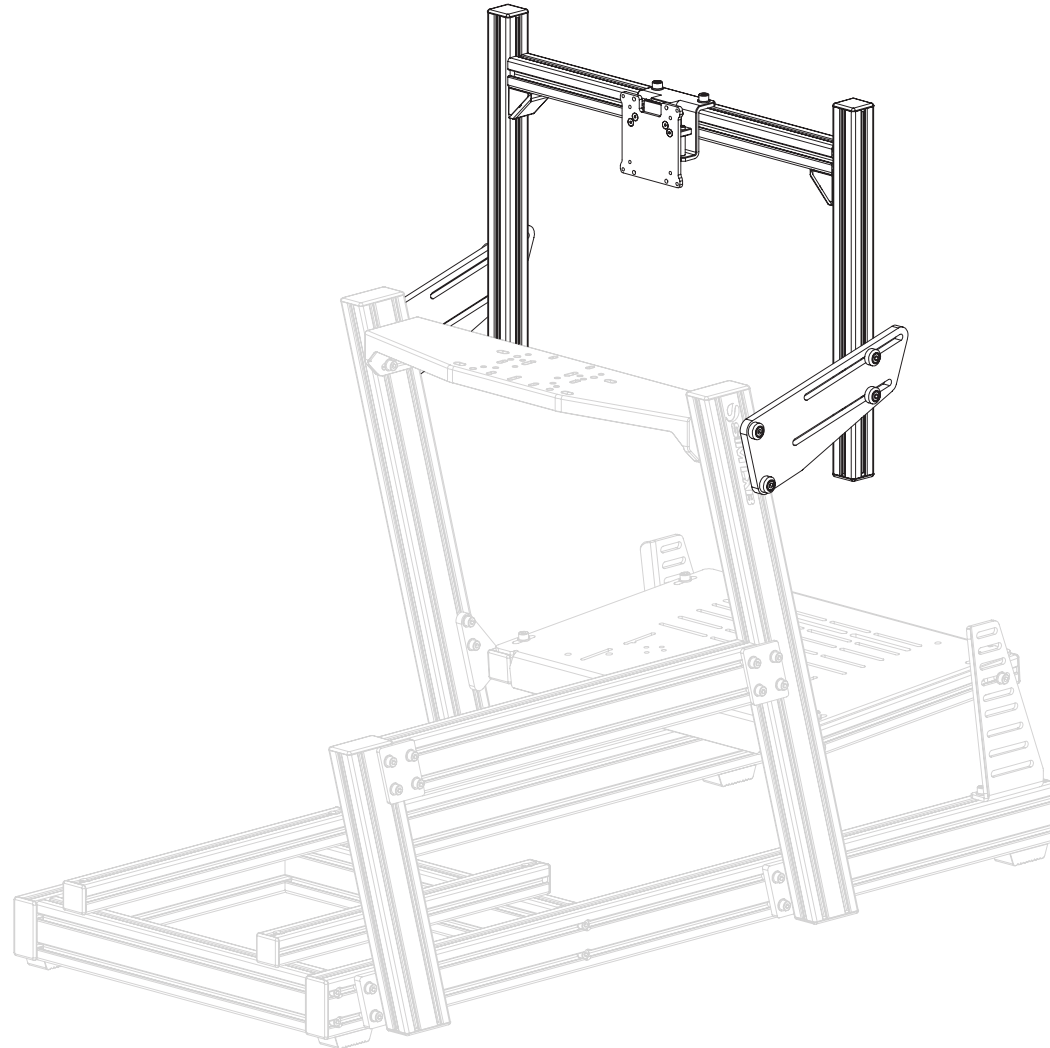


SIM LAB

INSTRUCTION MANUAL



GT1 INTEGRATED SINGLE MONITOR MOUNT

VERSION 1.1

Last updated: 12-12-2023

BEFORE YOU START:

Thank you for purchasing this Sim-Lab product! On the following pages, you will find detailed instructions on assembly. This requires only a set of simple tools and some of your time. Please check the bill of materials before starting (page 11) and make sure all the parts are delivered.

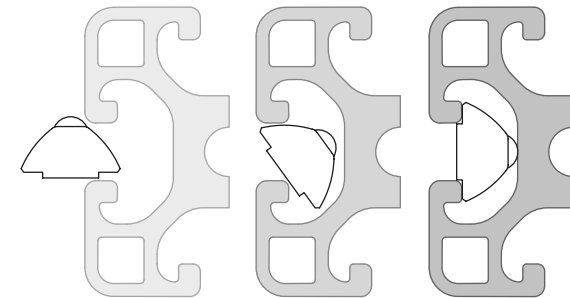
We encourage you to read the product manuals for included products if this one doesn't answer all of your questions. Please refer to the following if needed:

www.sim-lab.eu/vario-vesa-manual

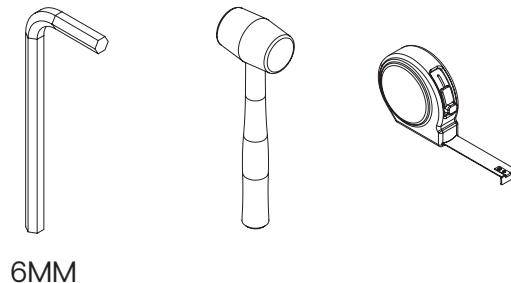
This monitor mount is also compatible with our time-tested GT1-Evo cockpit, the required ways of assembly are provided throughout this manual.

Inserting Slot-Nuts:

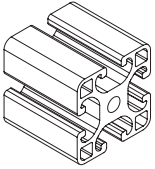
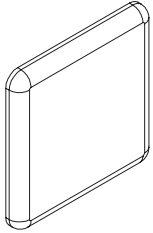
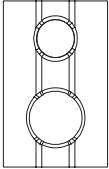
You got excited, finished the build, put the caps on, but forgot to install one element. Do not worry. It happens to everyone. In this diagram, you can see how to insert a Slot-Nut directly into the slot from the side. You can also use one of your smaller Hex wrenches to help wiggle the Slot-Nut in place.

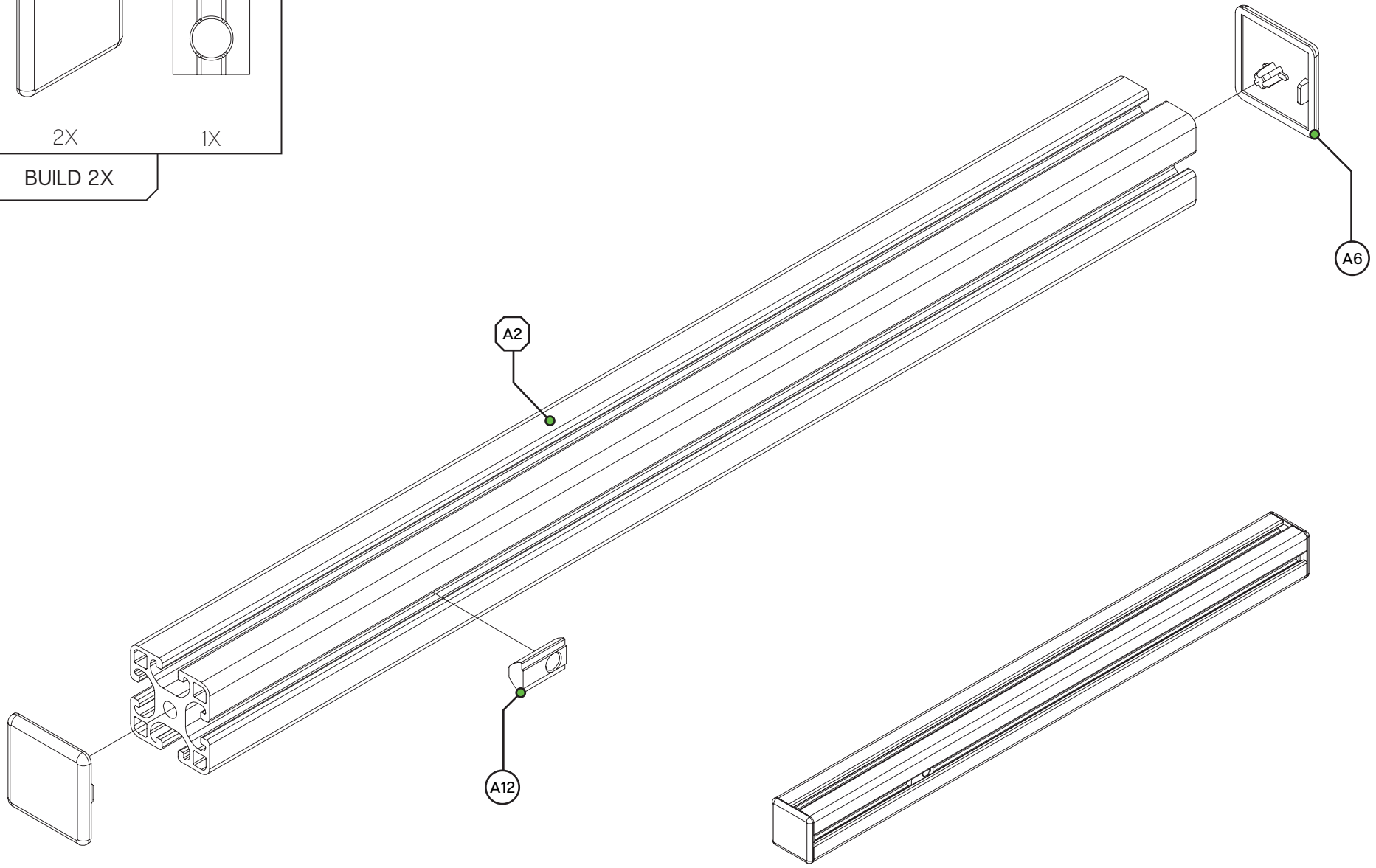


Tools needed:



6MM

500MM	Profile 40X40 End-Cap	Slot-Nut M8
		
1X	2X	1X
BUILD 2X		



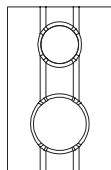
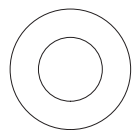
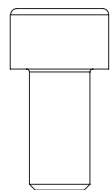
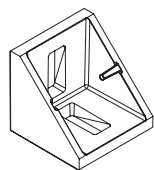
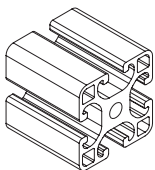
600MM

Corner
Bracket

M8 X 16

Washer M8

Slot-Nut M8



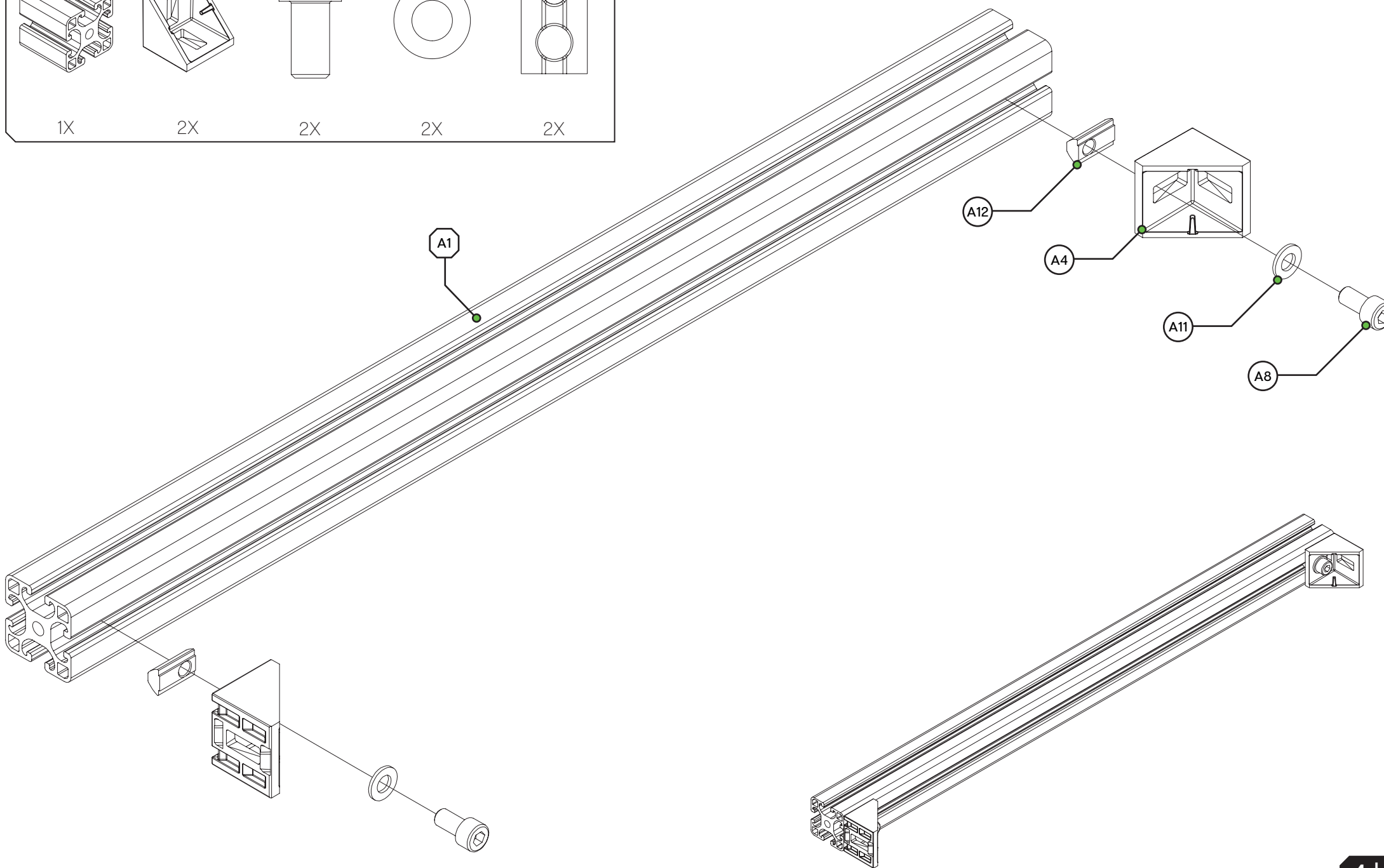
1X

2X

2X

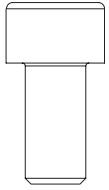
2X

2X

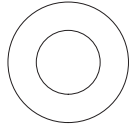


M8 X 16

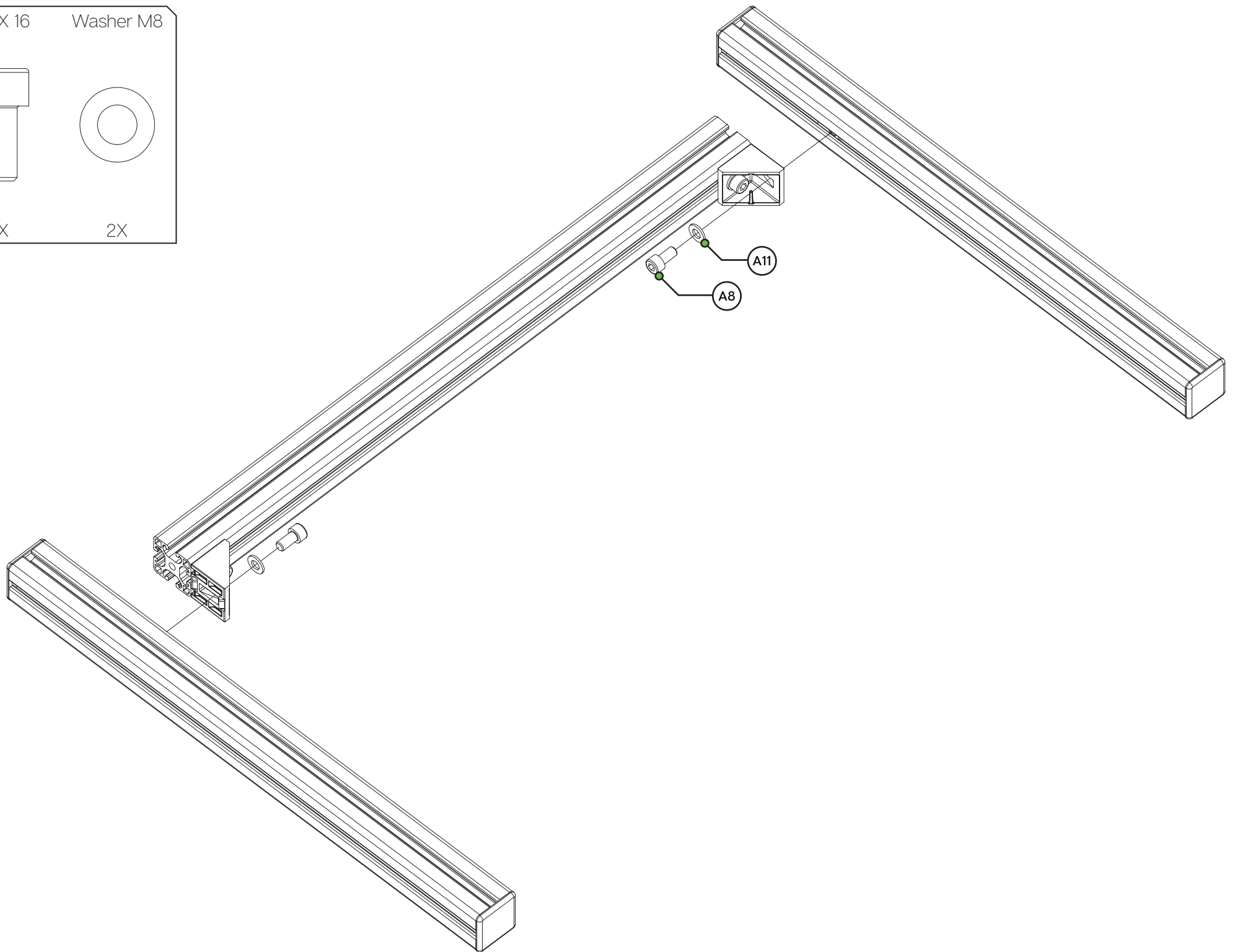
Washer M8



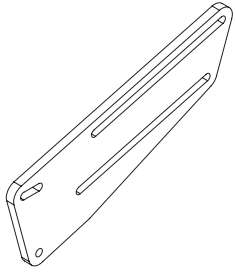
2X



2X

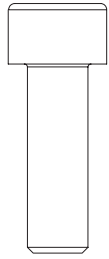


Integrated Bracket



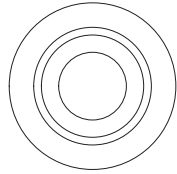
2X

M8 X 25



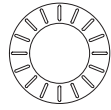
4X

Cap-Washer
M8



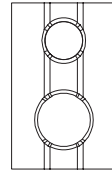
4X

Washer M8
(DIN 988)



4X

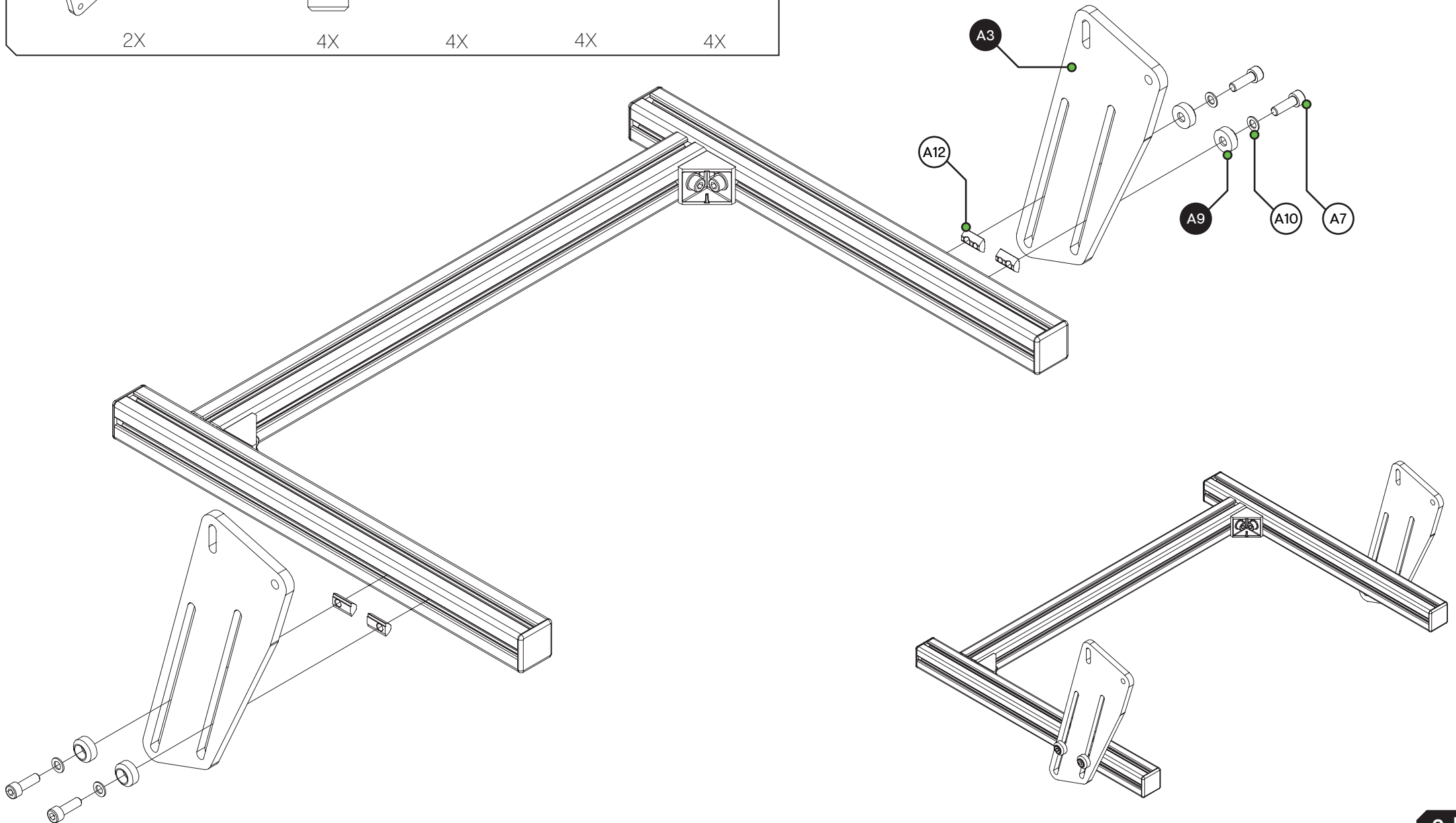
Slot-Nut M8



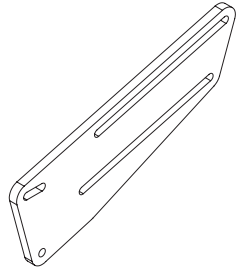
4X

Note: GT1-EVO users,
please see the next page.

Normal assembly
resumes on page 8.

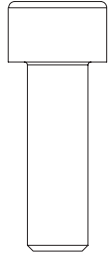


Integrated Bracket



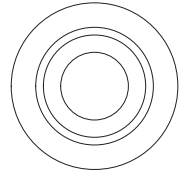
2X

M8 X 25



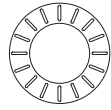
4X

Cap-Washer
M8



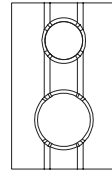
4X

Washer M8
(DIN 988)



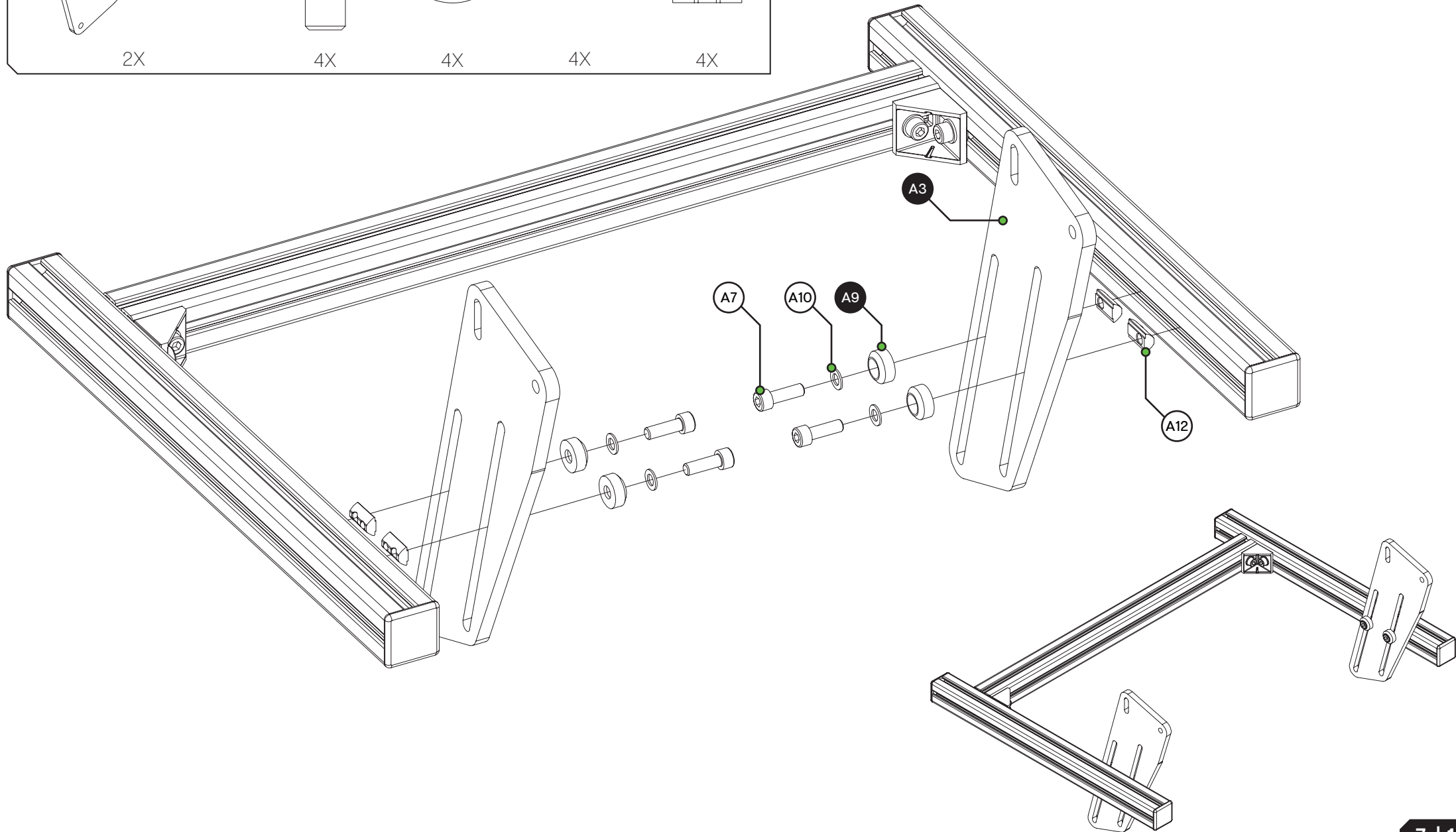
4X

Slot-Nut M8



4X

Note: GT1-EVO users only.

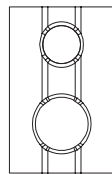
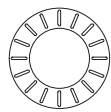
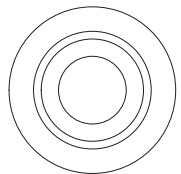
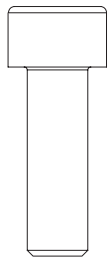


M8 X 25

Cap-Washer
M8

Washer M8
(DIN 988)

Slot-Nut M8

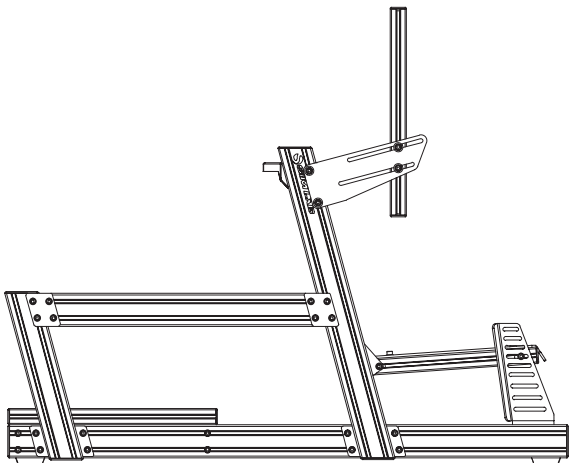
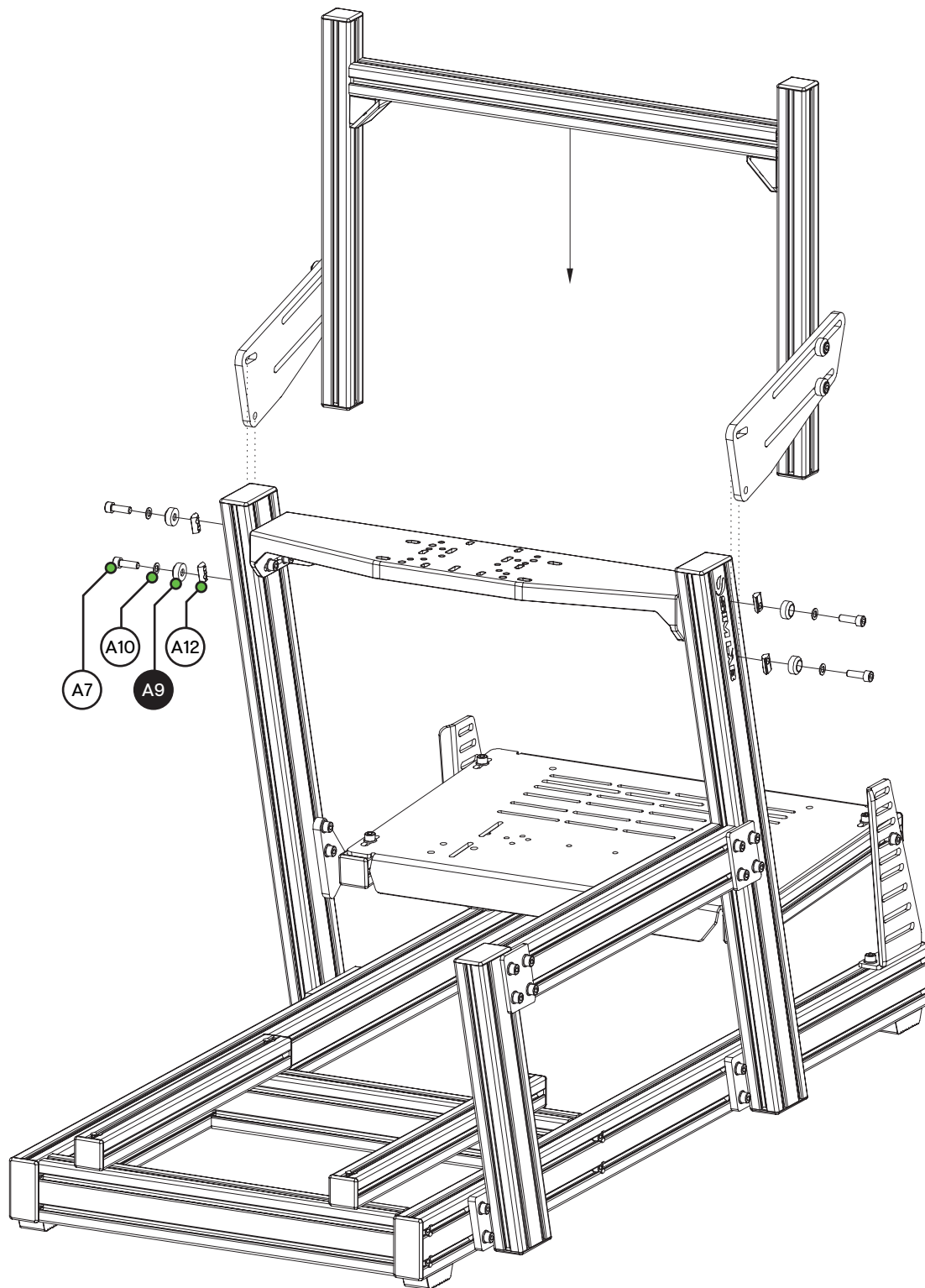


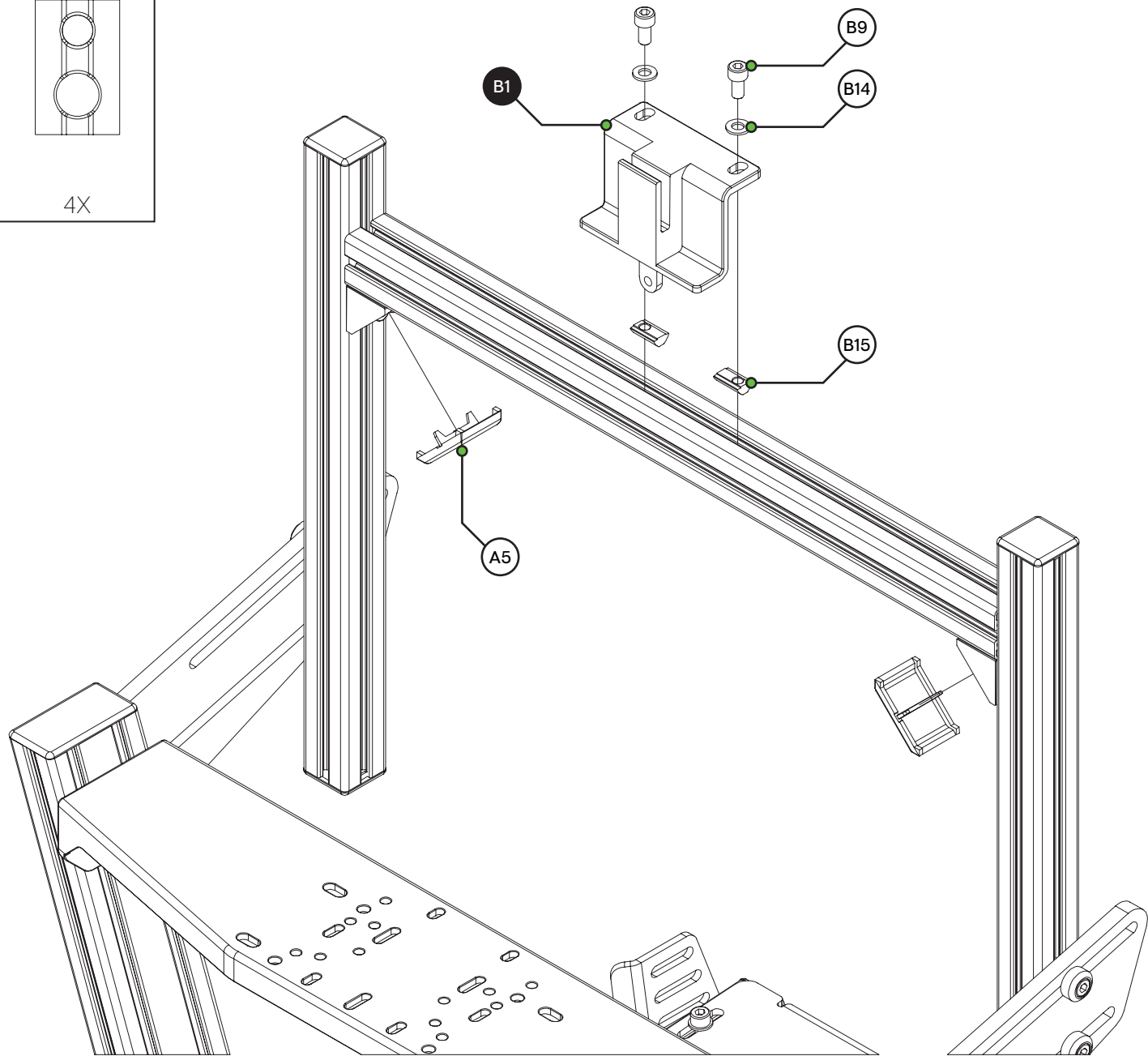
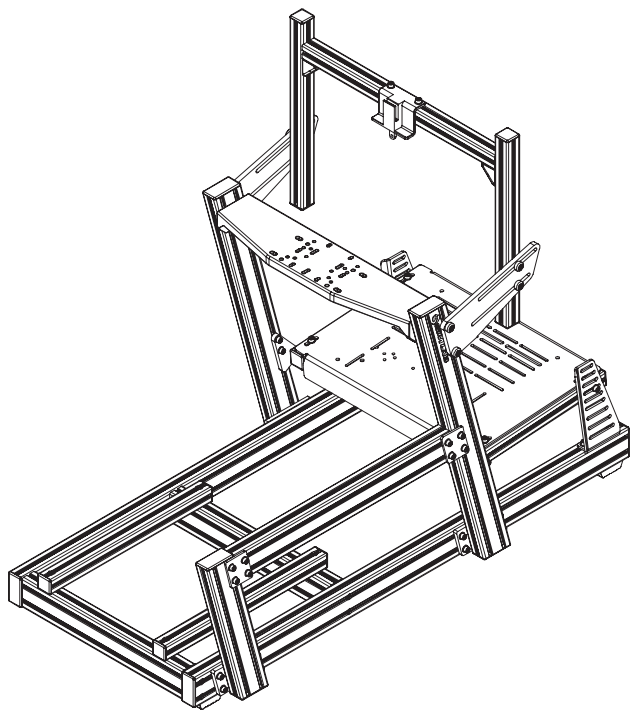
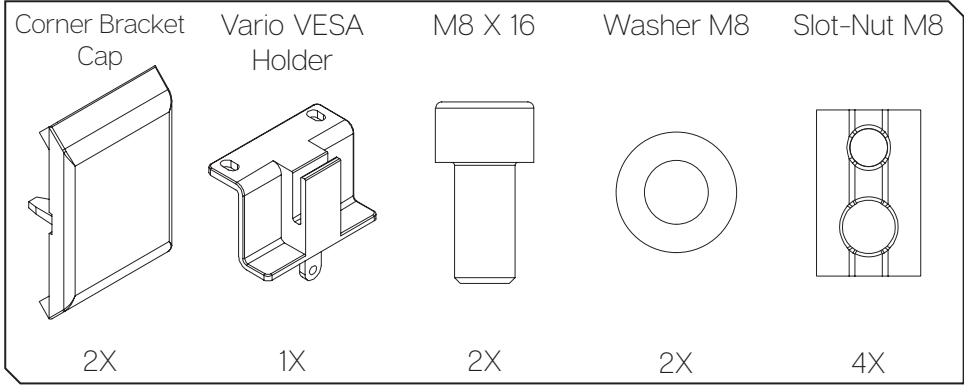
4X

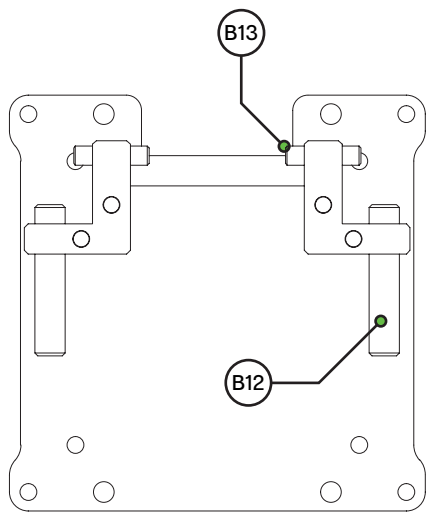
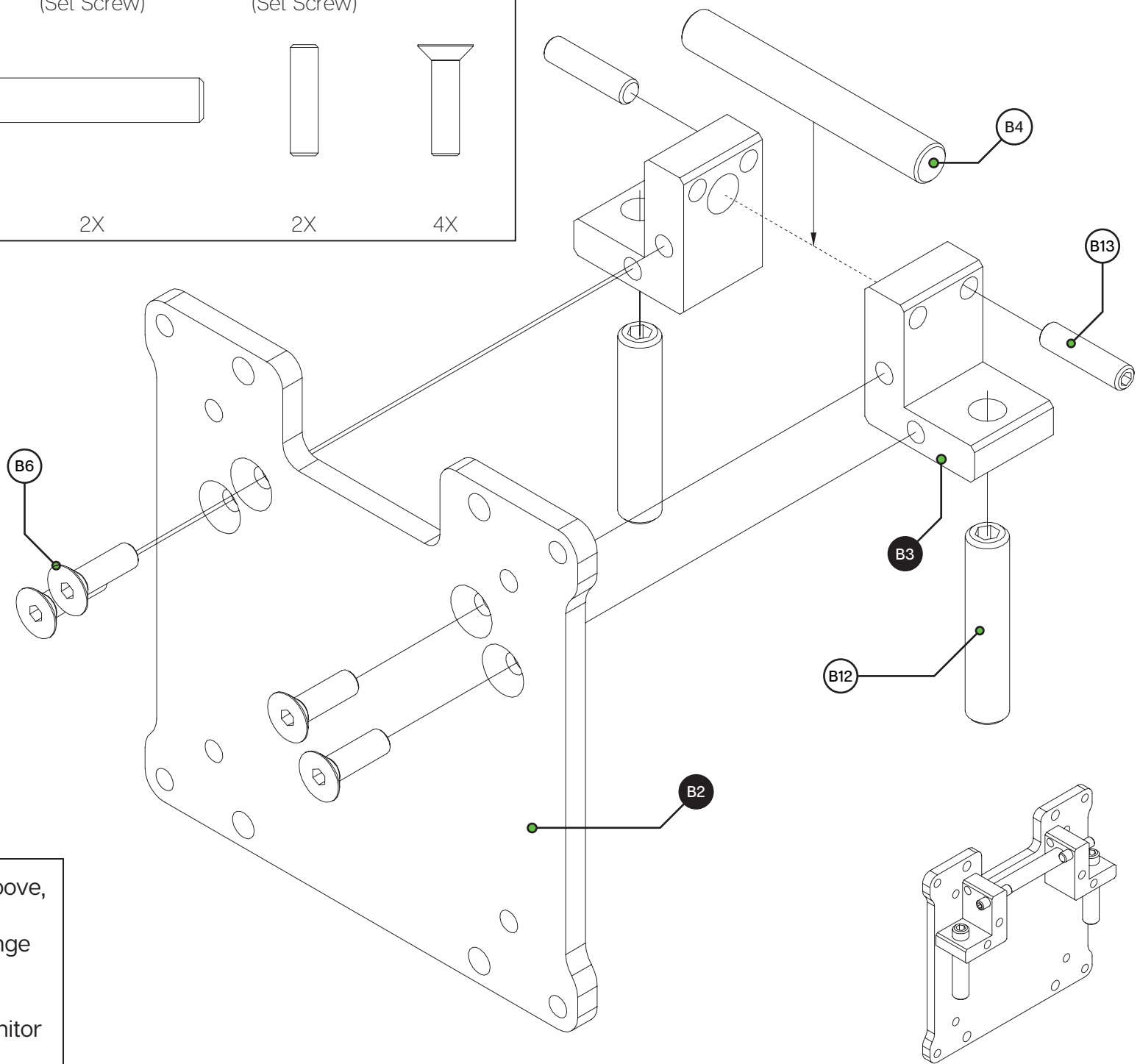
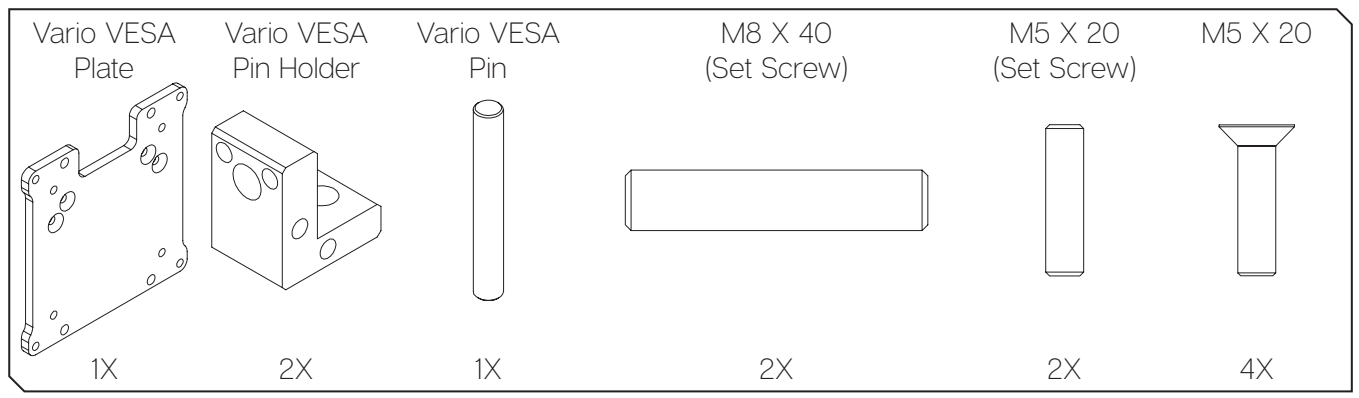
4X

4X

4X







When parts B12 and B13 are installed like above, monitors are easy to install in a neutral position. Parts B12 can be adjusted to change the tilt and/or height.

Parts B13 can be adjusted to adjust the monitor sideways if needed, and fix it in place.

**BOX A - GT1-Pro Integrated Monitor Mount
PROFILE KIT**

#	Part	QTY	Note
A1	40X40 Length=600mm	1	
A2	40X40 Length=500mm	2	
HARDWARE KIT			
A3	Integrated bracket	2	
A4	Corner bracket 40x40	2	
A5	Corner bracket 40x40 cap	2	
A6	Profile 40x40 end-cap	4	
A7	Bolt M8 X 25 DIN 912	8	
A8	Bolt M8 X 16 DIN 912	4	
A9	Cap-Washer M8	8	
A10	Washer M8 DIN 988	8	
A11	Washer M8 DIN 125-A	4	
A12	Slot-Nut M8	12	

**BOX B - Vario VESA Single Adapter
HARDWARE KIT**

#	Part	QTY	Note
B1	Vario VESA holder	1	
B2	Vario VESA plate	1	
B3	Vario VESA pin holder	2	
B4	Vario VESA pin	1	
B5	Bolt M6 X 12 DIN 7991	4	Used with VESA 100/200 adapter.
B6	Bolt M5 X 20 DIN 7991	4	
B7	Bolt M4 X 16 DIN 7985	4	Philips head.
B8	Bolt M4 X 10 DIN 7985	4	Philips head.
B9	Bolt M8 X 16 DIN 912	2	
B10	Bolt M6 X 16 DIN 912	4	
B11	Bolt M5 X 16 DIN 912	4	
B12	Set screw M8 X 40 DIN 916	3	
B13	Set screw M5 X 20 DIN 916	2	
B14	Washer M8 DIN 125-A	2	
B15	Slot-Nut M8	2	

If you still have some questions regarding assembly of this product or about the manual itself, please refer to our support department. They can be reached at

support@sim-lab.eu

Alternatively, we now have a Discord server where there are quite some experienced Sim-Lab customers hanging out. They might just help you along if you ask them nicely ;)

www.sim-lab.eu/discord

If you feel like printing this manual, please consider the environment before doing so. For the best results, make sure you print at 100% scale without borders.

[Product page on the Sim-Lab website:](#)

