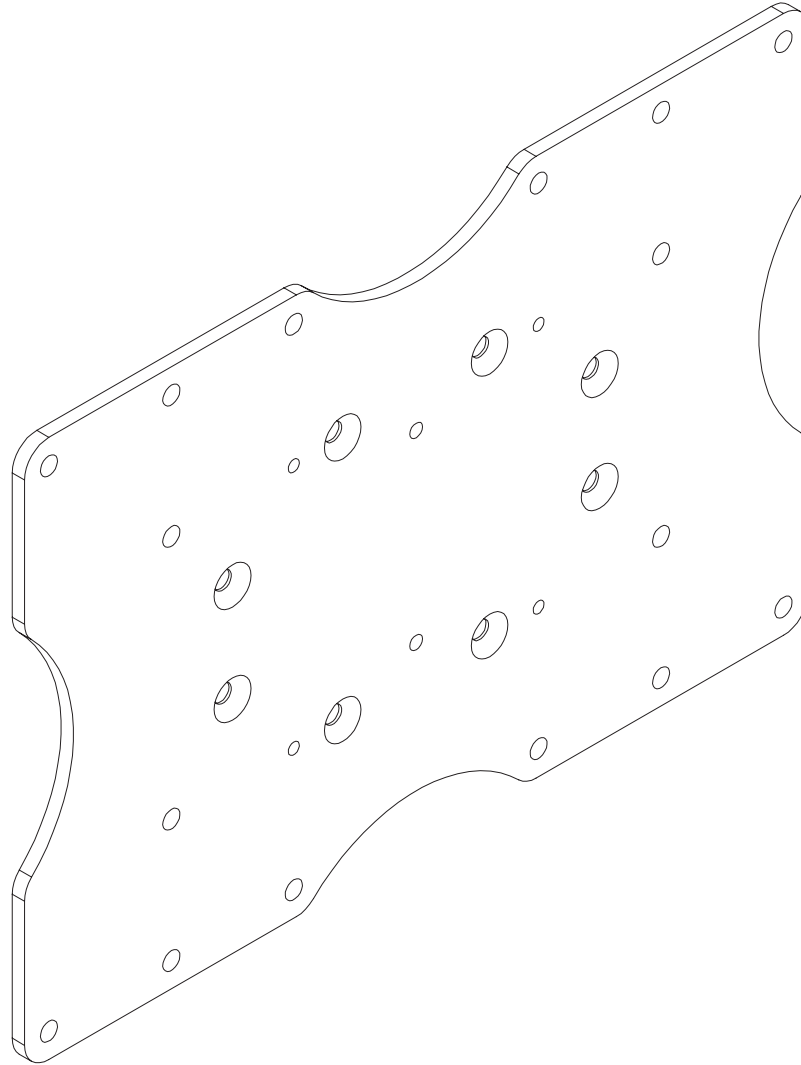


SIM LAB

INSTRUCTION MANUAL



UNIVERSAL VESA
VERSION 1.0
Last updated: 19-10-2023

BEFORE YOU START:

Thank you for purchasing this Sim-Lab product! On the following pages, you will find detailed instructions on assembly. This requires only a set of simple tools and some of your time. Please check the bill of materials before starting (page 5) and make sure all the parts are delivered.

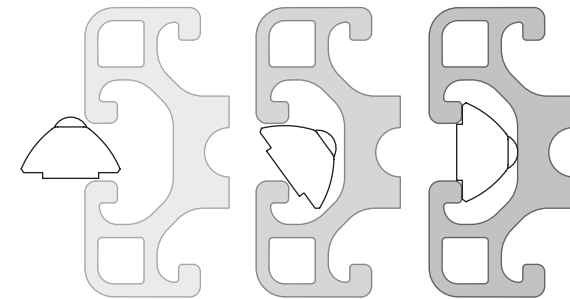
This manual is rather simple, assembly depends mostly on the monitor or tv you are going to mount.

When mounting to a Vario VESA adapter, please refer to the following if needed:

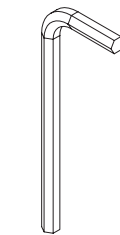
www.sim-lab.eu/vario-vesa-manual

Inserting Slot-Nuts:

You got excited, finished the build, put the caps on, but forgot to install one element. Do not worry. It happens to everyone. In this diagram, you can see how to insert a Slot-Nut directly into the slot from the side. You can also use one of your smaller Hex wrenches to help wiggle the Slot-Nut in place.



Tools needed:

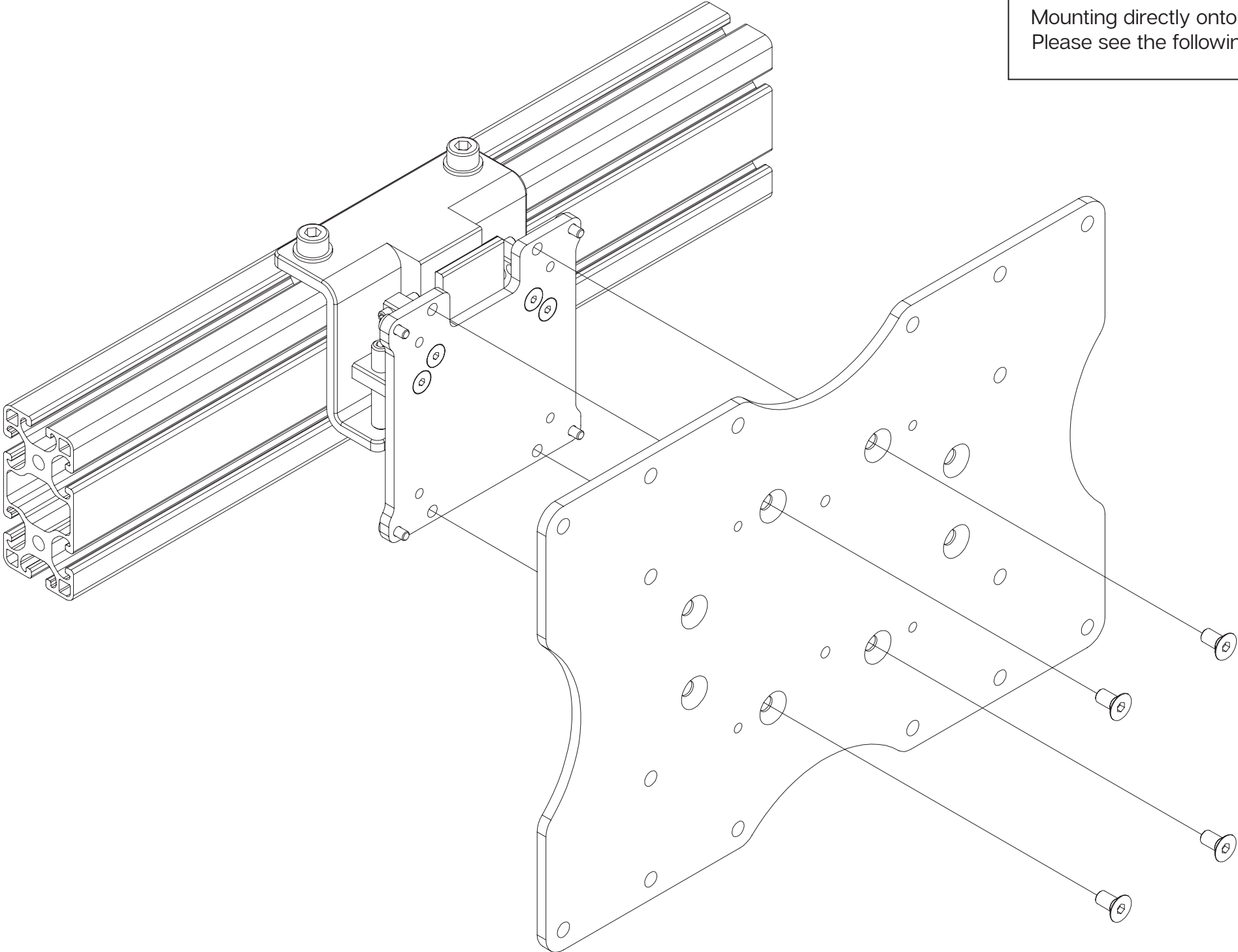


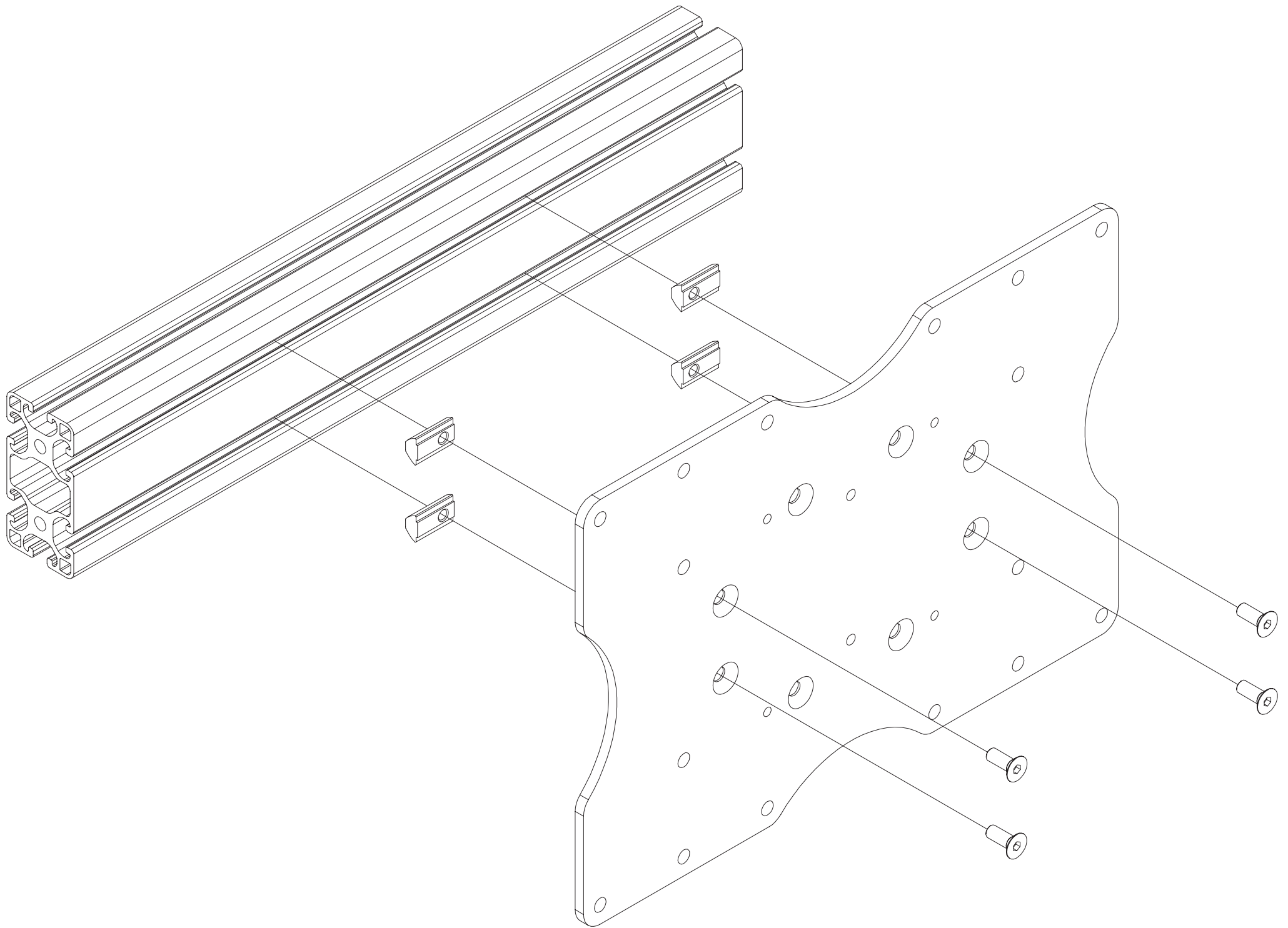
4/5MM



+

Mounting directly onto profile?
Please see the following page.



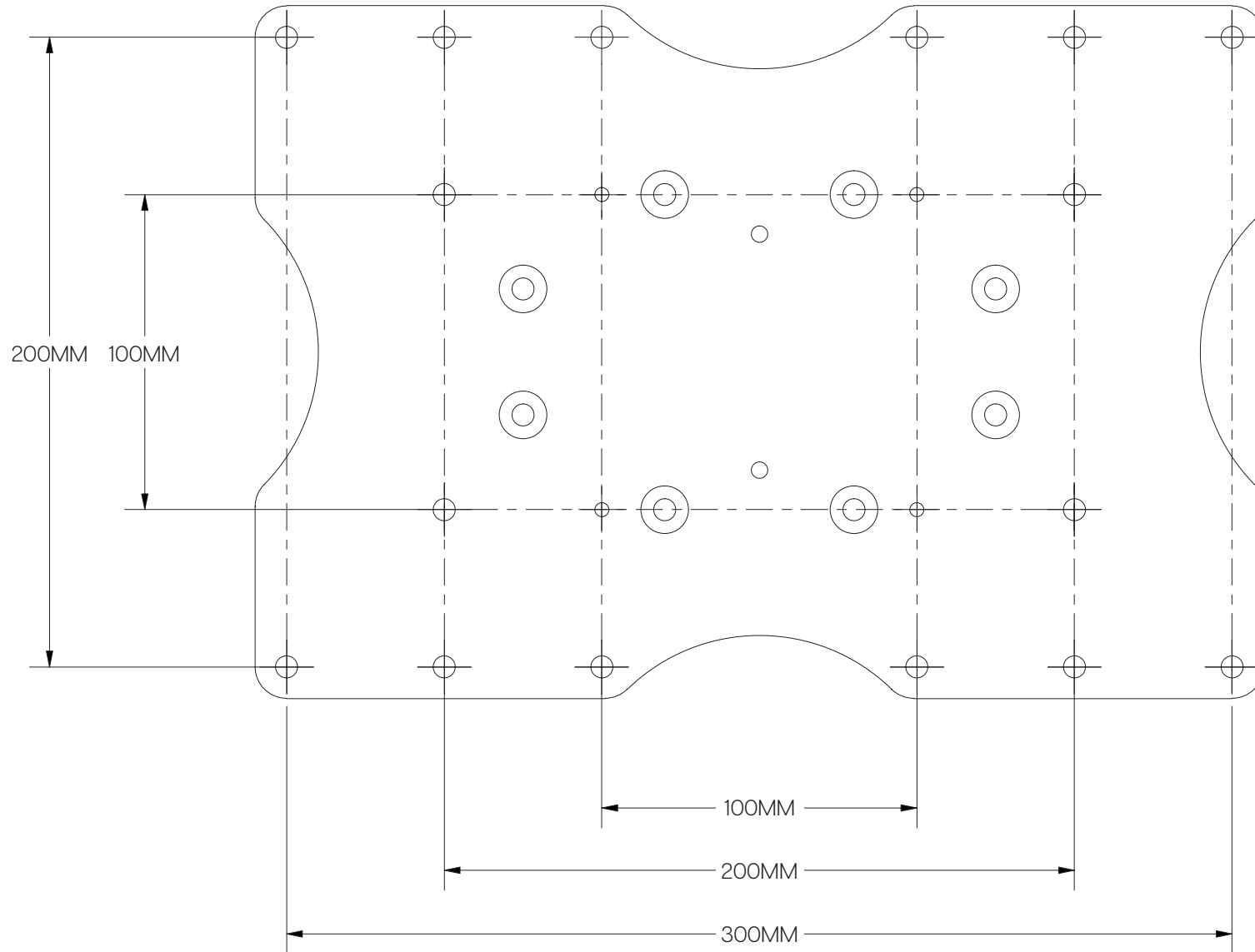


BOX A - UNIVERSAL VESA HARDWARE KIT

#	Part	QTY	Note
A1	Universal VESA plate	1	Machined.
A2	Bolt M6 X 20 DIN 912	4	
A3	Bolt M6 X 16 DIN 912	4	
A4	Bolt M6 X 16 DIN 7991	4	Countersunk.
A5	Bolt M6 X 12 DIN 7991	4	Countersunk.
A6	Screw M4 X 16 DIN 7985	4	Philips head.
A7	Screw M4 X 10 DIN 7985	4	Philips head.
A8	Washer M6 DIN 9021	8	Big washer.
A9	Washer M6 DIN 125-A	8	
A10	Slot-Nut M6	4	
A11	Standoff M6 X 10	4	
A12	Standoff M4 X 10	4	

Disclaimer: for some entries on this page, we supply more than required as spare materials. Don't worry if you have some leftovers, this is intentional.

Holes for VESA 100/100,
200/100, 200/200, 300/200.



If you still have some questions regarding assembly of this product or about the manual itself, please refer to our support department. They can be reached at

support@sim-lab.eu

Alternatively, we now have a Discord server where there are quite some experienced Sim-Lab customers hanging out. They might just help you along if you ask them nicely ;)

www.sim-lab.eu/discord

If you feel like printing this manual, please consider the environment before doing so. For the best results, make sure you print at 100% scale without borders.

[Product page on the Sim-Lab website:](#)

