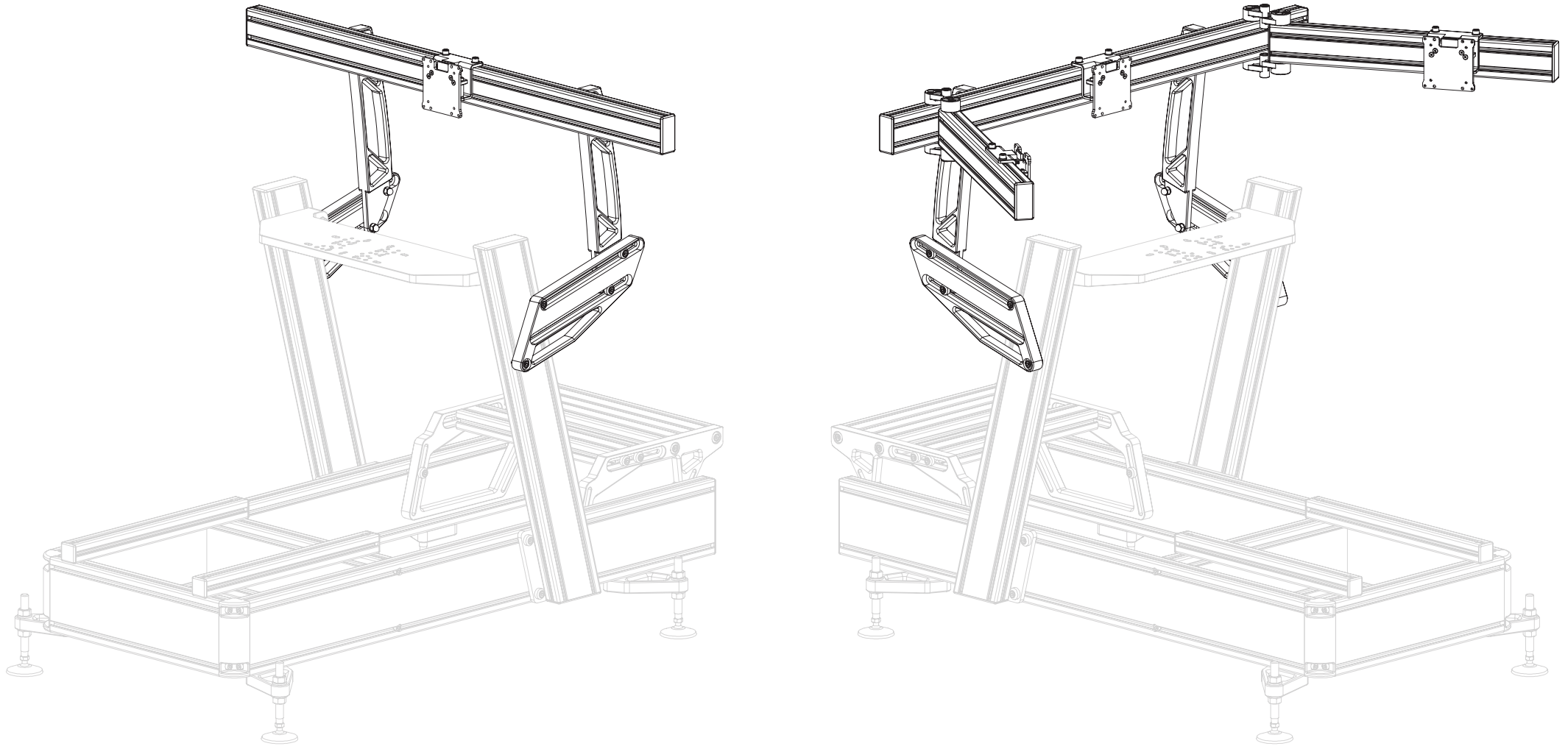


SIM LAB

INSTRUCTION MANUAL



INTEGRATED VARIO™ MONITOR MOUNT **SINGLE/TRIPLE**

VERSION 1.0
Last updated: 19-09-2023

BEFORE YOU START:

Thank you for purchasing this Sim-Lab product! On the following pages, you will find detailed instructions on assembly. This requires only a set of simple tools and some of your time. Please check the bill of materials before starting (page 14) and make sure all the parts are delivered.

We have combined the single and triple integrated monitor mounts into one manual. Although the cockpit depicted is our P1-Pro, this integrated monitor mount is compatible with our other cockpits. The only exception is the X1-Pro, which has its own integrated monitor mount.

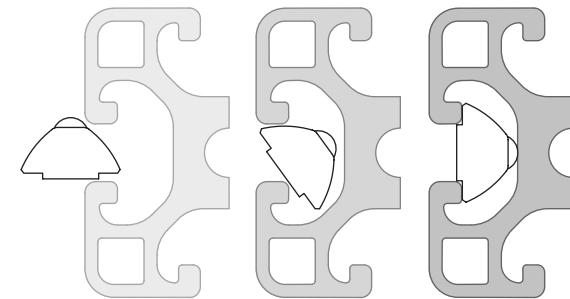
This product combines some products we normally offer separately. We encourage you to read the product manuals for included products if this one doesn't answer all of your questions. Please refer to the following if needed:

www.sim-lab.eu/xero-play-pivots-manual

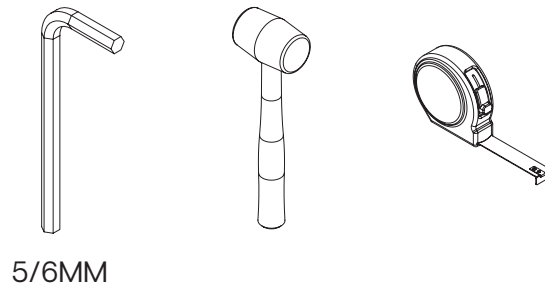
www.sim-lab.eu/vario-vesa-manual

Inserting Slot-Nuts:

You got excited, finished the build, put the caps on, but forgot to install one element. Do not worry. It happens to everyone. In this diagram, you can see how to insert a Slot-Nut directly into the slot from the side. You can also use one of your smaller Hex wrenches to help wiggle the Slot-Nut in place.



Tools needed:



5/6MM

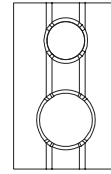
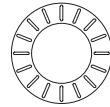
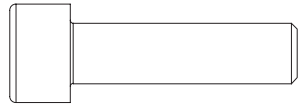
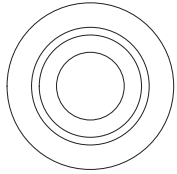
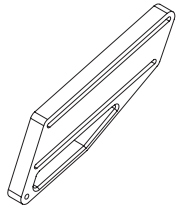
Integrated
Bracket

Cap-Washer
M8

M8 X 30

Washer M8
(DIN 988)

Slot-Nut M8



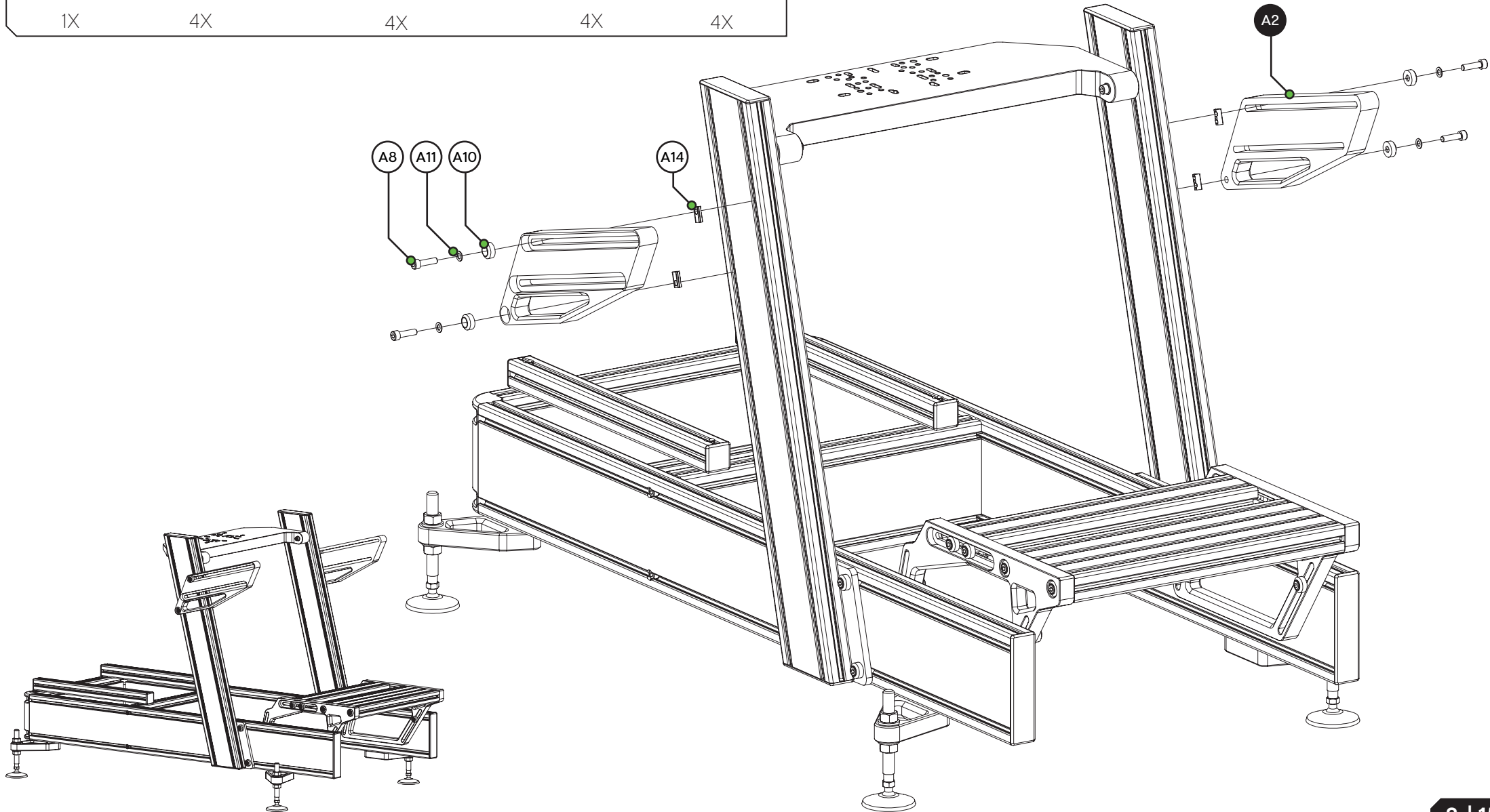
1X

4X

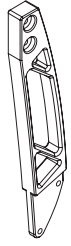
4X

4X

4X

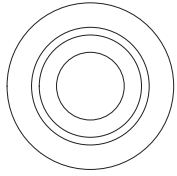


Integrated Upright



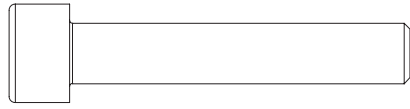
2X

Cap-Washer M8



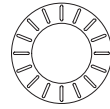
4X

M8 X 45



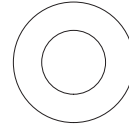
4X

Washer M8 (DIN 988)



4X

Washer M8 (A12)

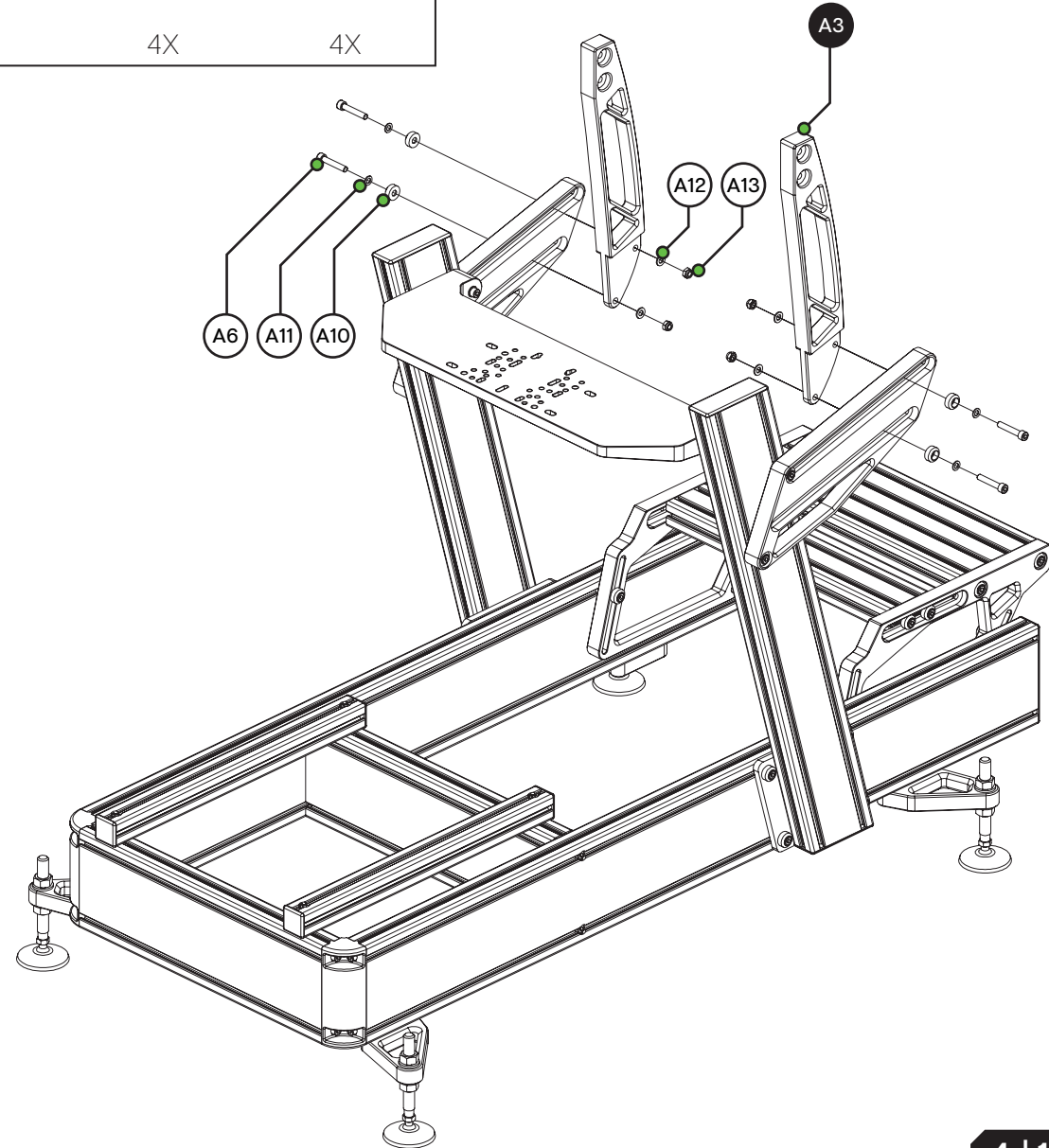
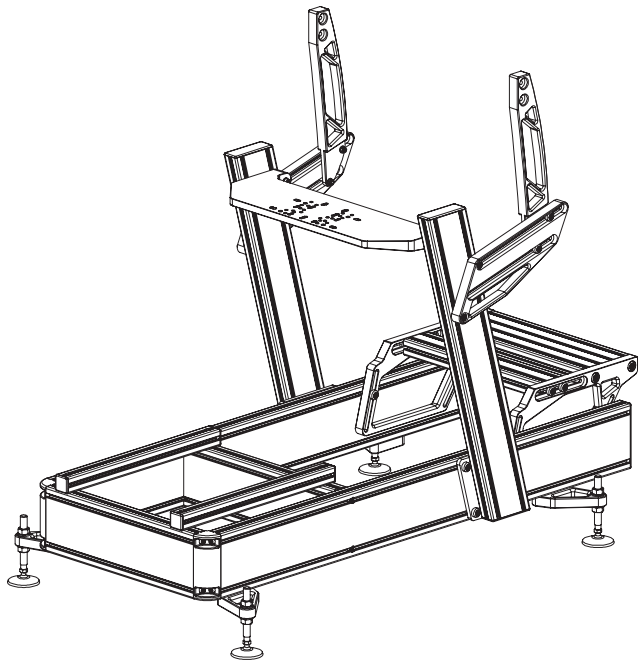


4X

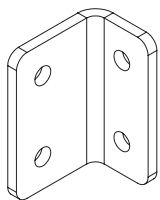
Lock-Nut M8 (A13)



4X

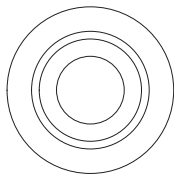


Corner
Bracket



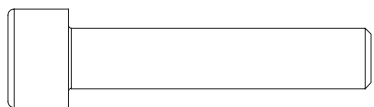
2X

Cap-Washer
M8



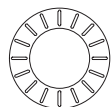
4X

M8 X 40



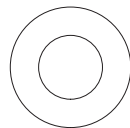
4X

Washer M8
(DIN 988)



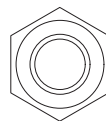
4X

Washer M8
(A12)



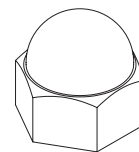
4X

Lock-Nut M8
(A13)

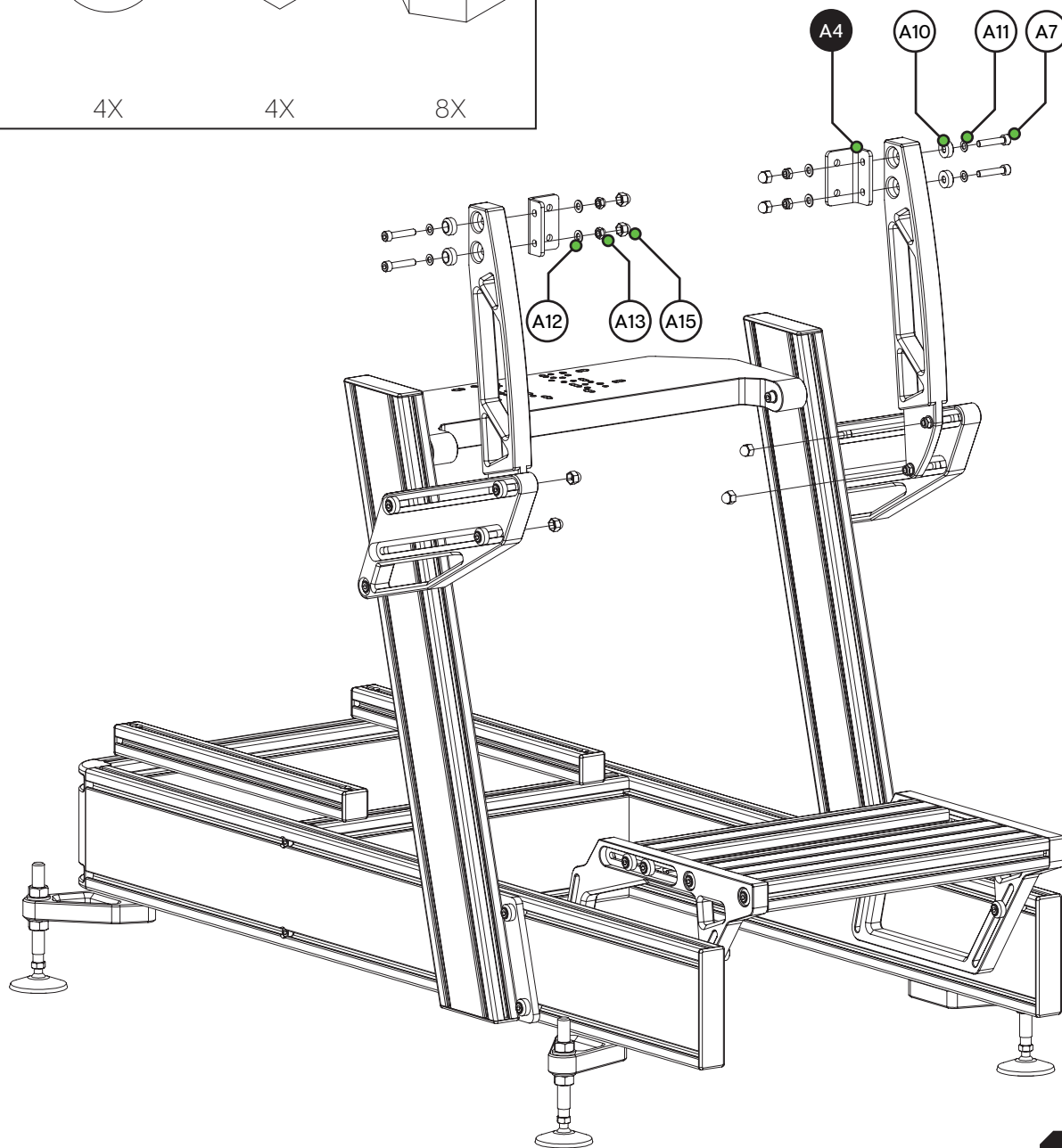
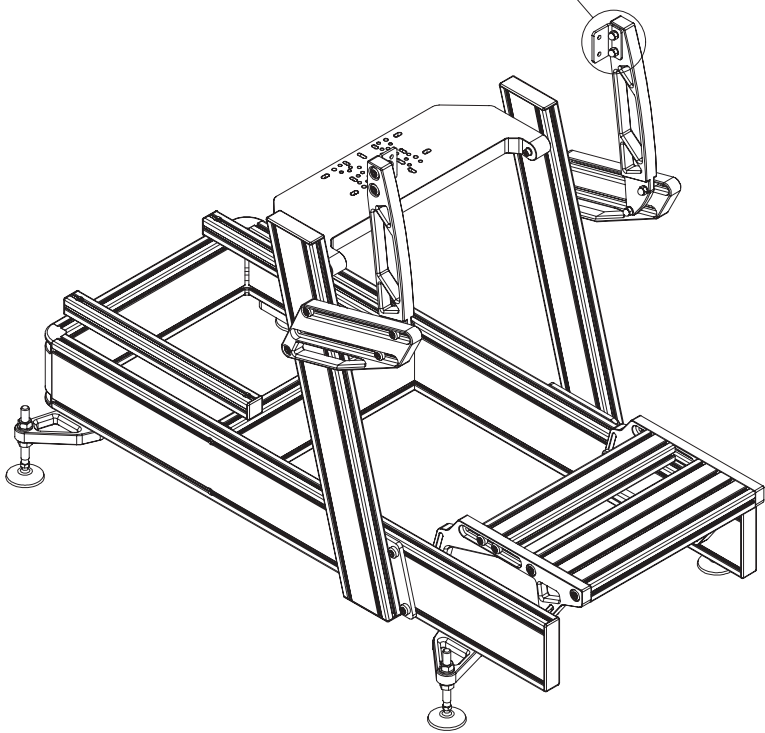
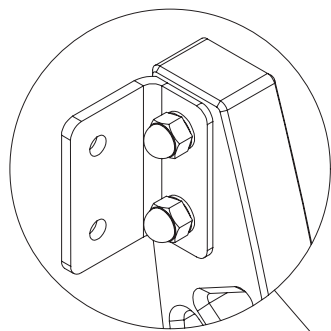


4X

Nut Cap M8
(A15)



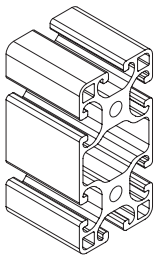
8X



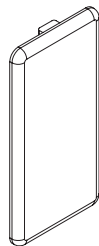
1195MM

Profile 80X40
End-Cap

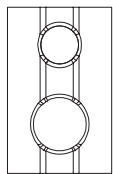
Slot-Nut M8



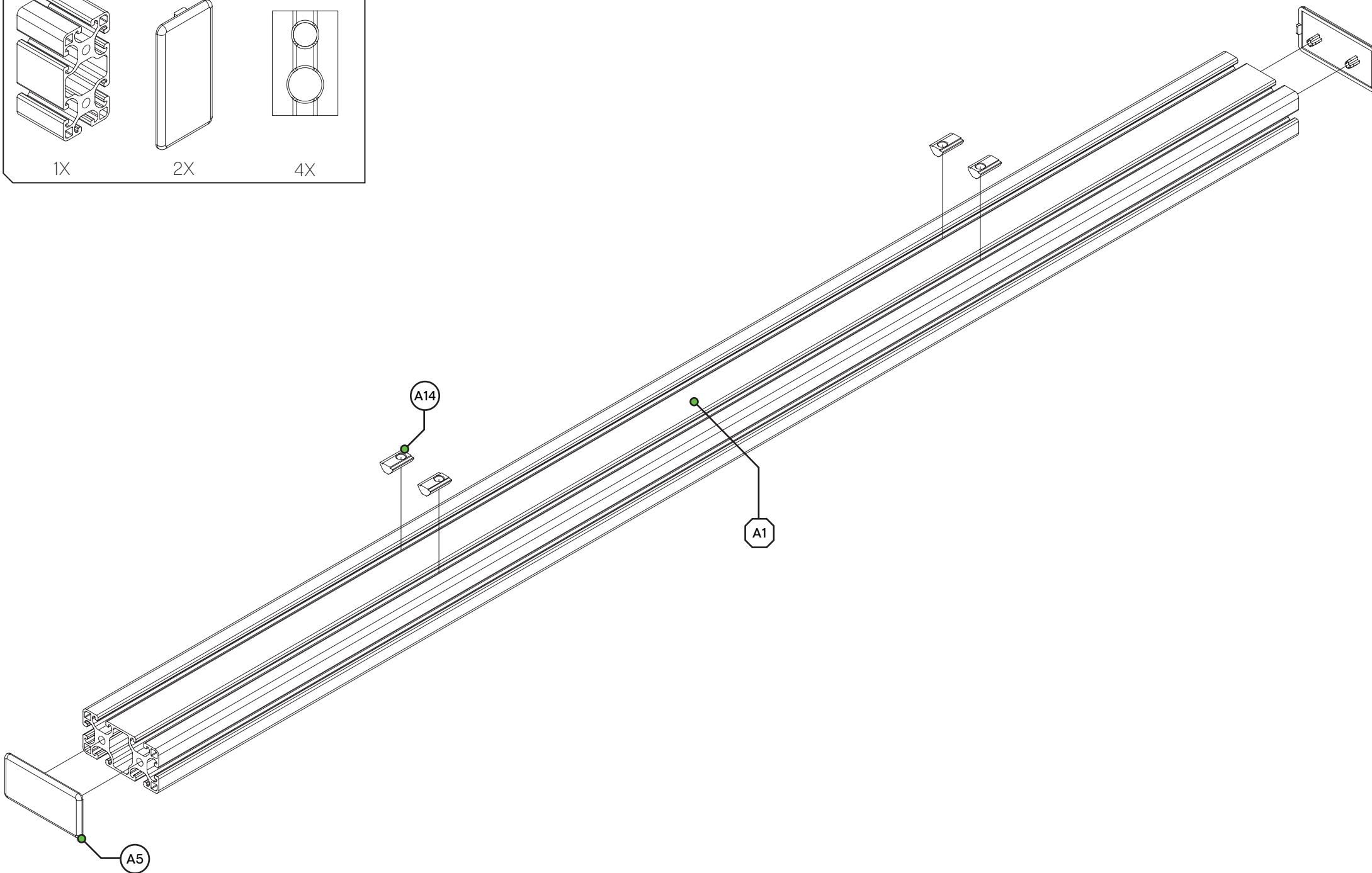
1X



2X

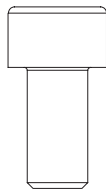


4X

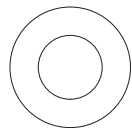


M8 X 16

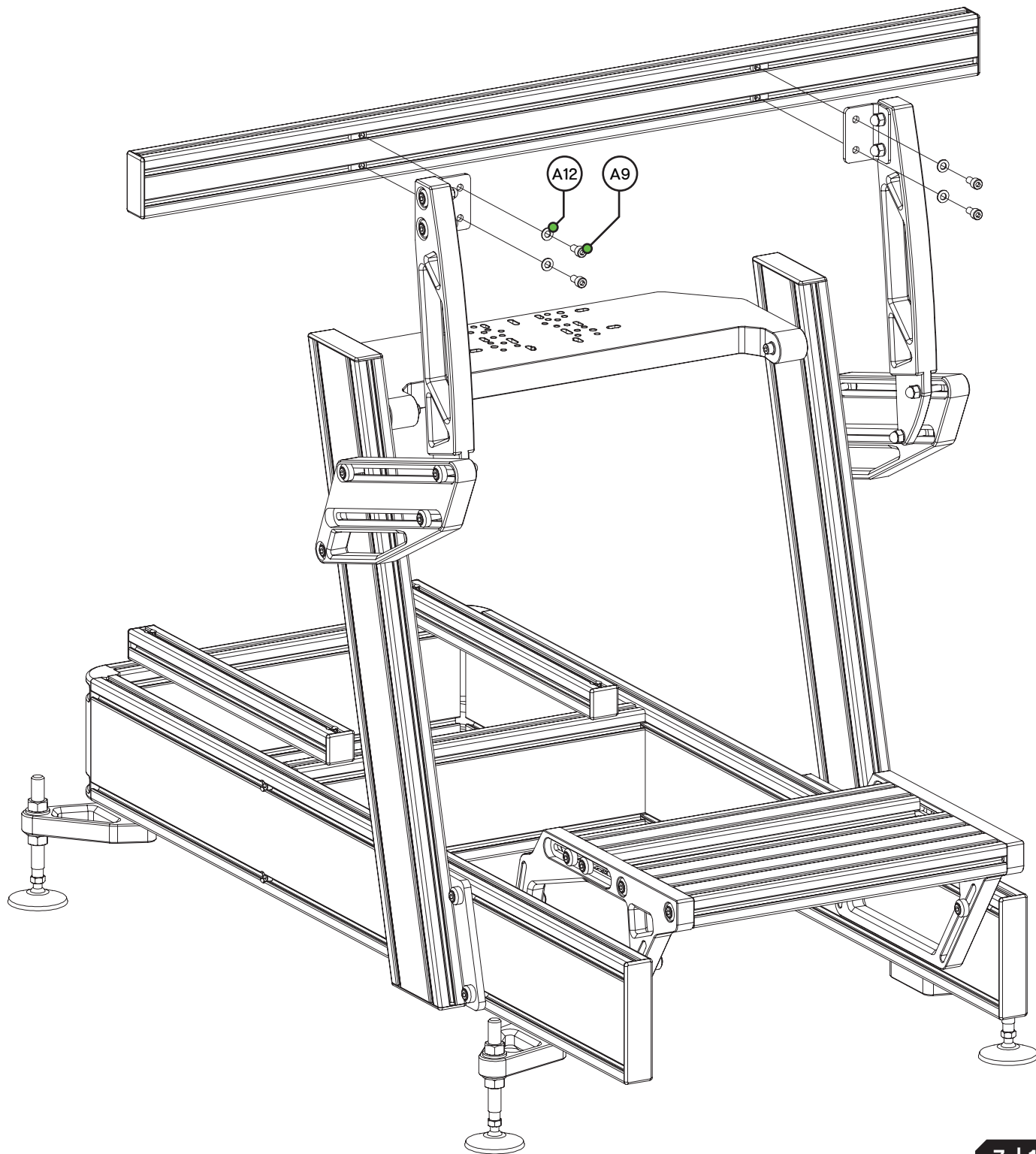
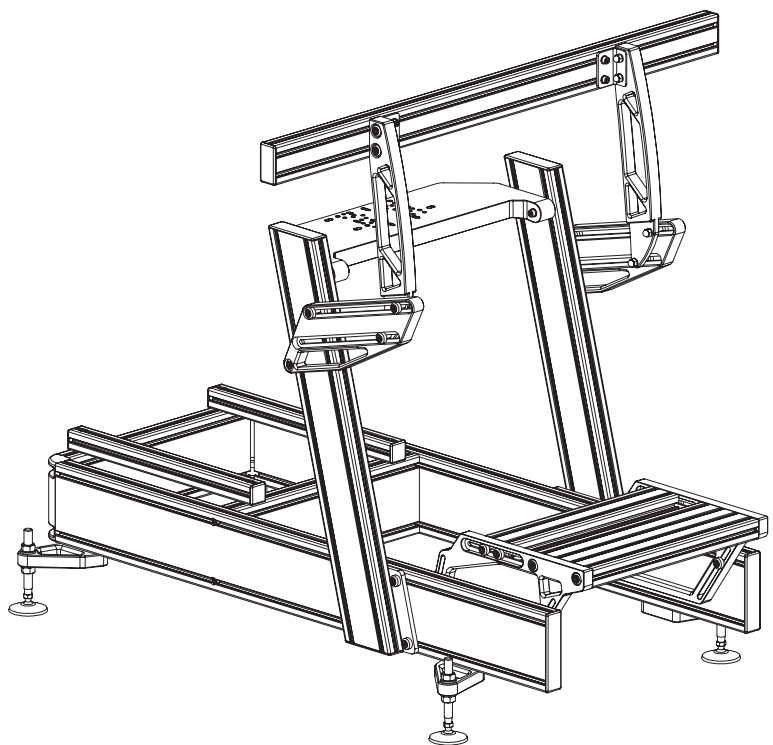
Washer M8

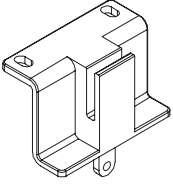
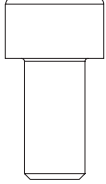
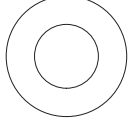
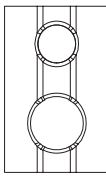


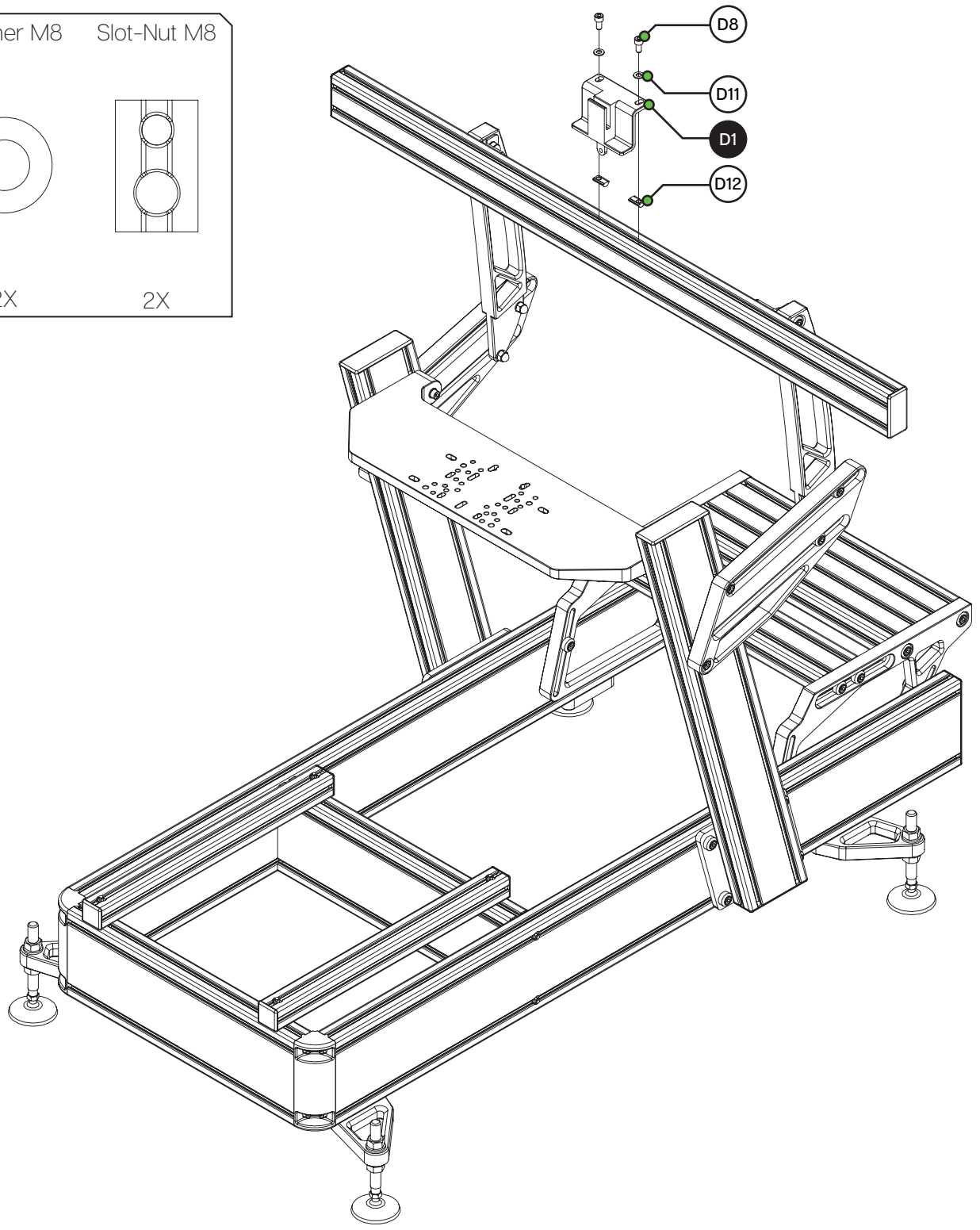
4X

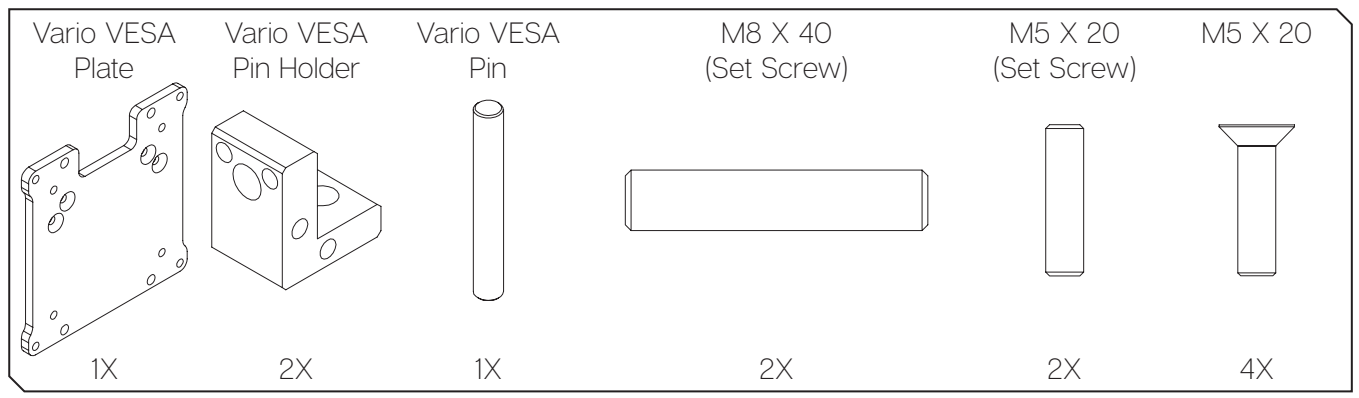


4X

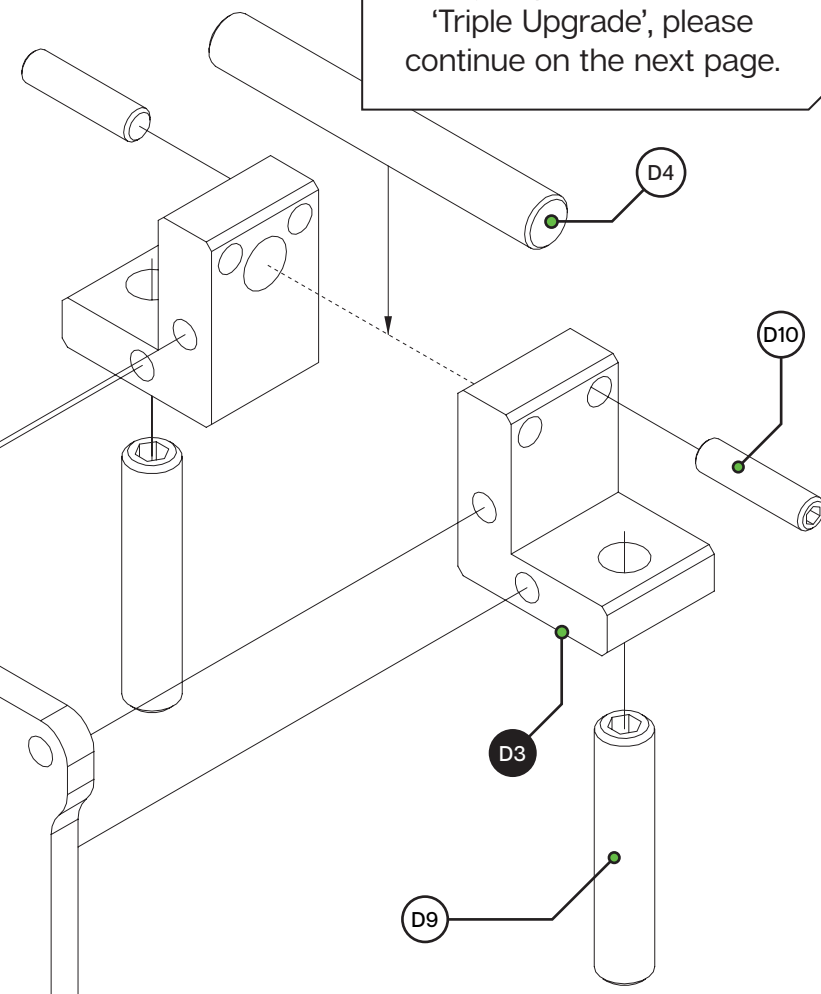
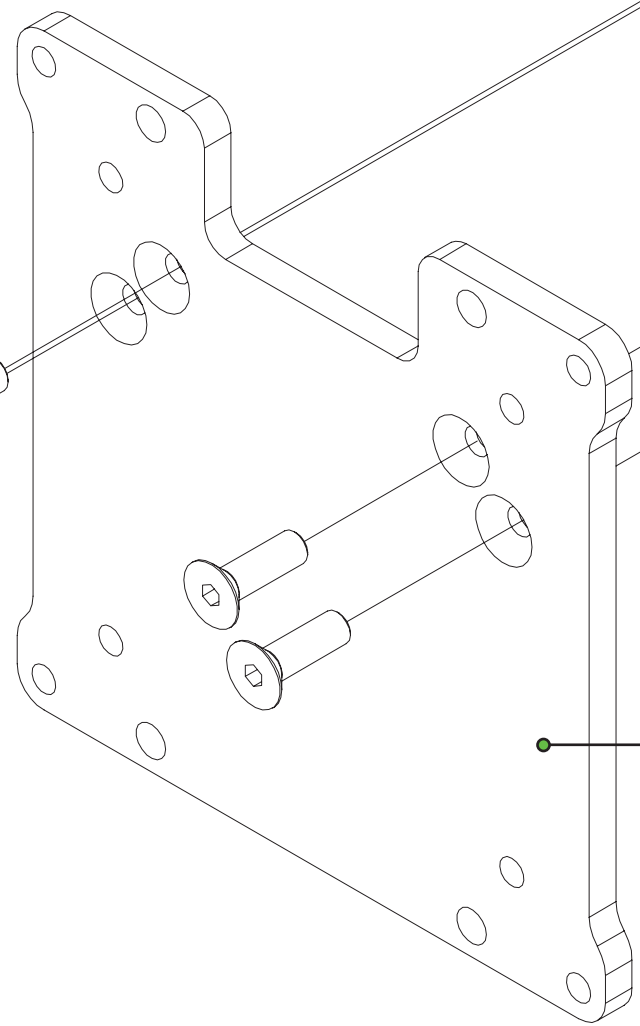
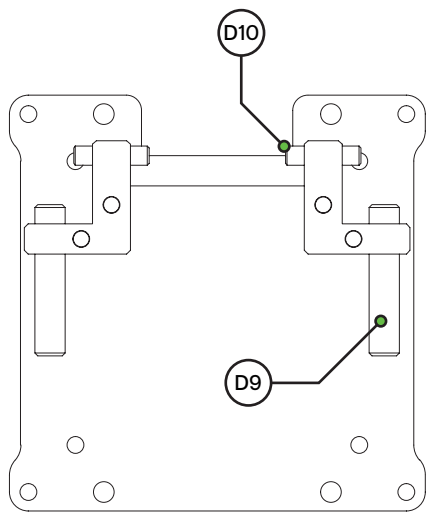


Vario VESA Holder	M8 X 16	Washer M8	Slot-Nut M8
			
1X	2X	2X	2X



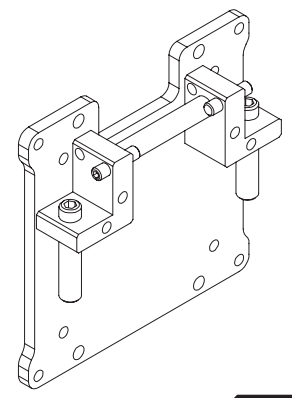


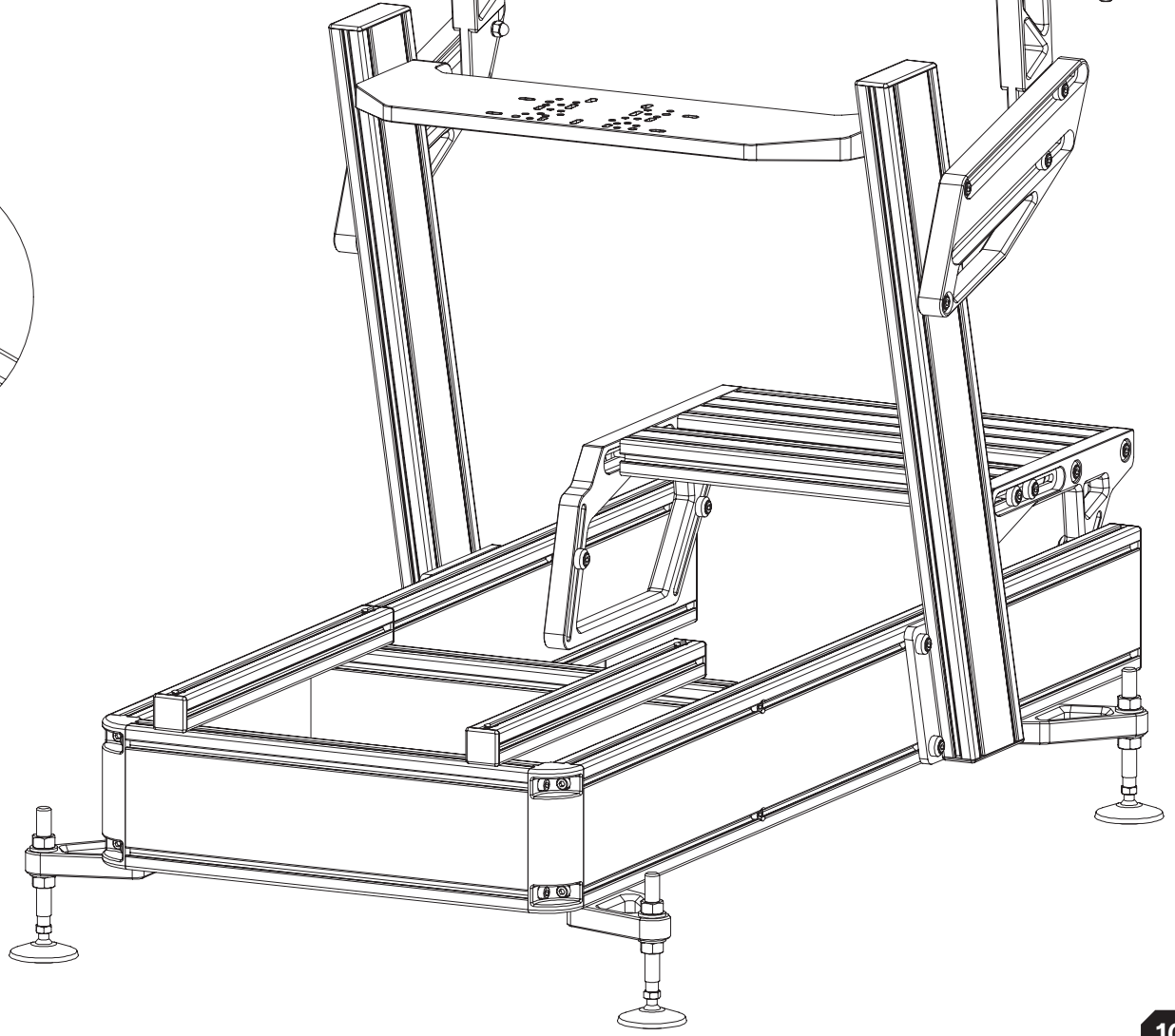
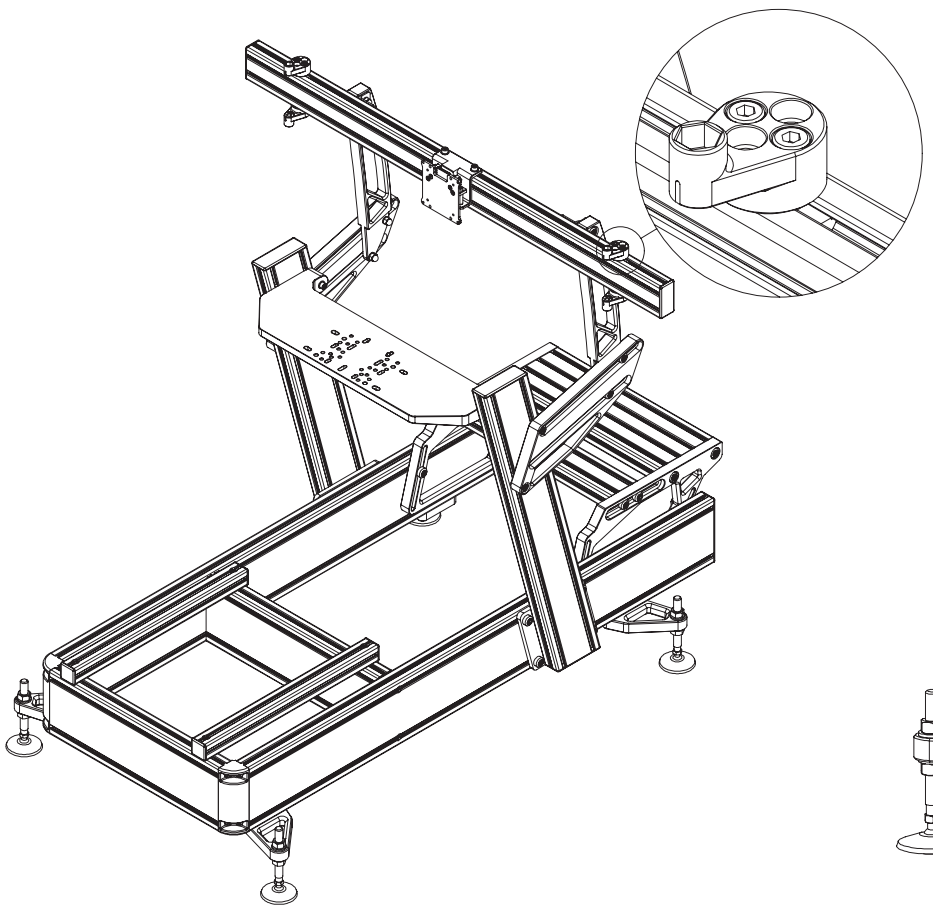
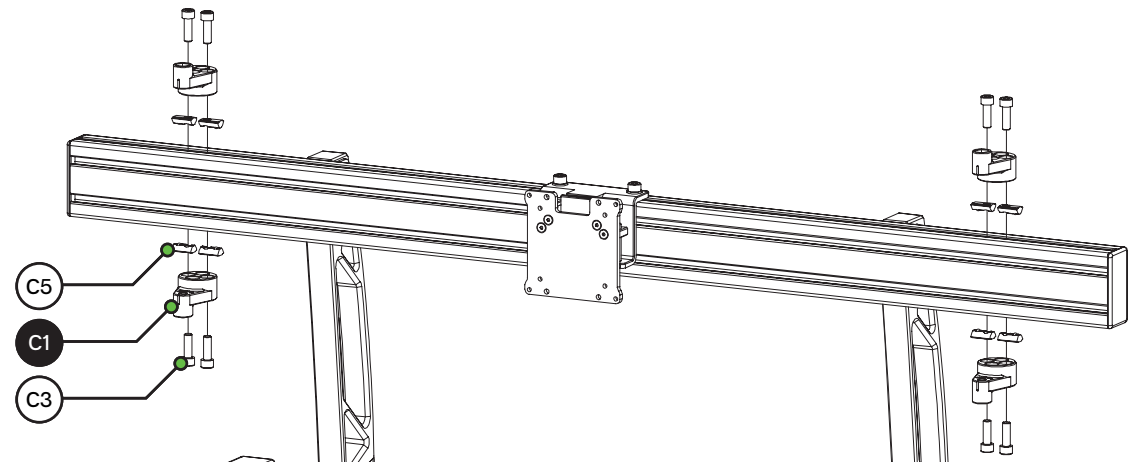
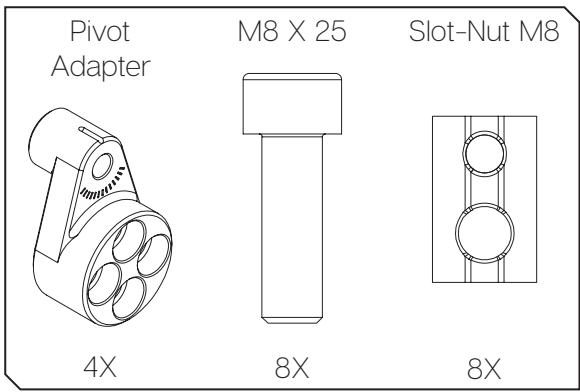
If you purchased the 'Triple Upgrade', please continue on the next page.

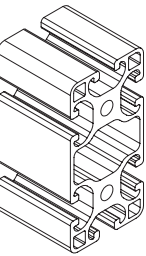
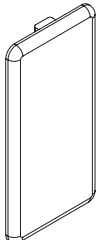
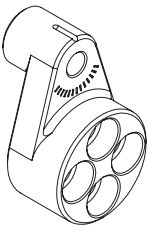
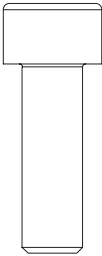
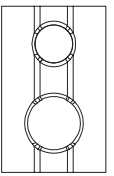


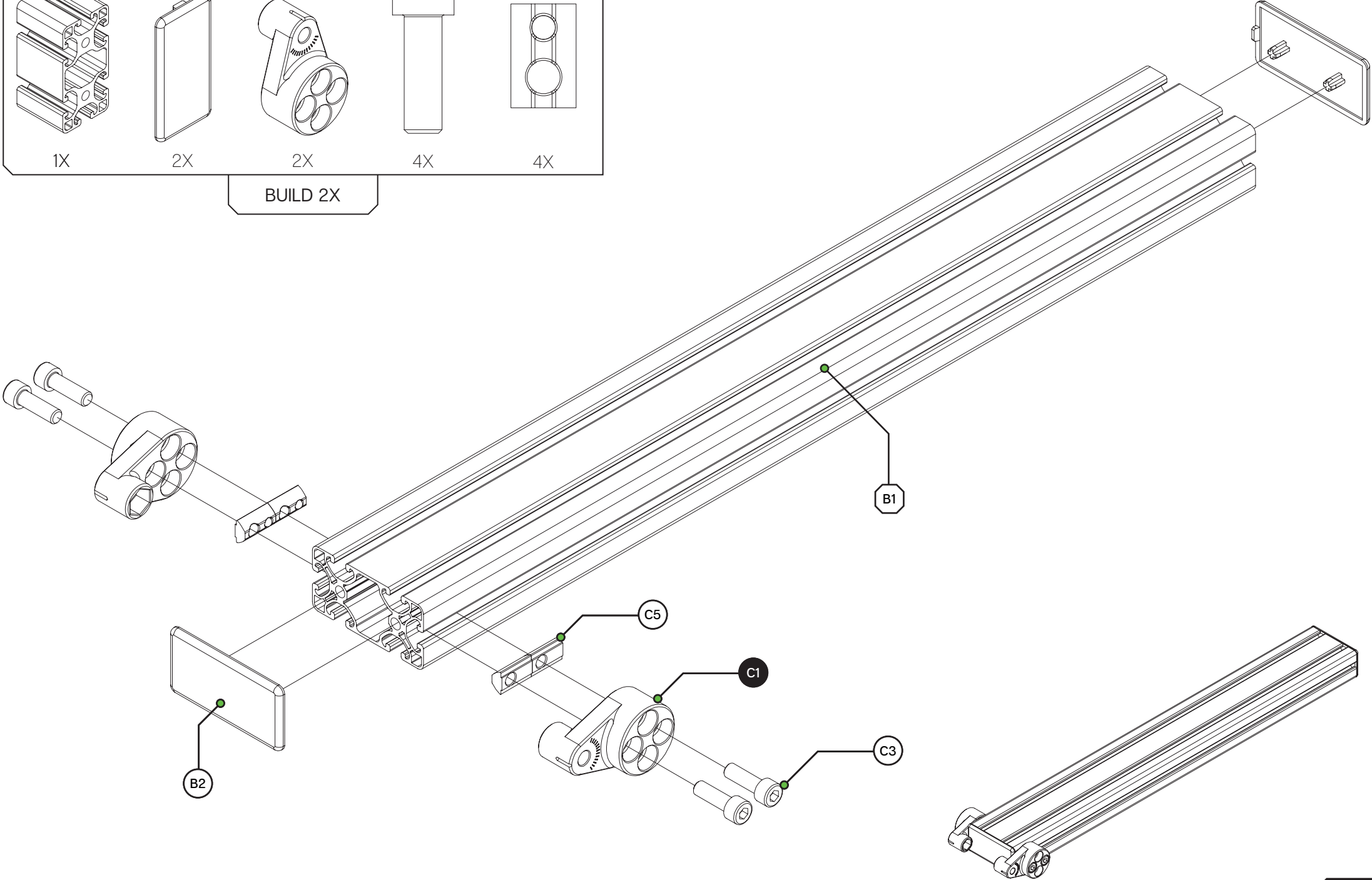
When parts D9 and D10 are installed like above, monitors are easy to install in a neutral position. Parts D9 can be adjusted to change the tilt and/or height.

Parts D10 can be adjusted to adjust the monitor sideways if needed, and fix it in place.



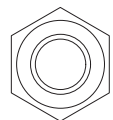
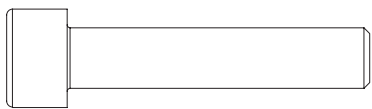


<p>580MM</p>  <p>1X</p>	<p>Profile 80X40 End-Cap</p>  <p>2X</p>	<p>Pivot Adapter</p>  <p>2X</p>	<p>M8 X 25</p>  <p>4X</p>	<p>Slot-Nut M8</p>  <p>4X</p>
<p>BUILD 2X</p>				



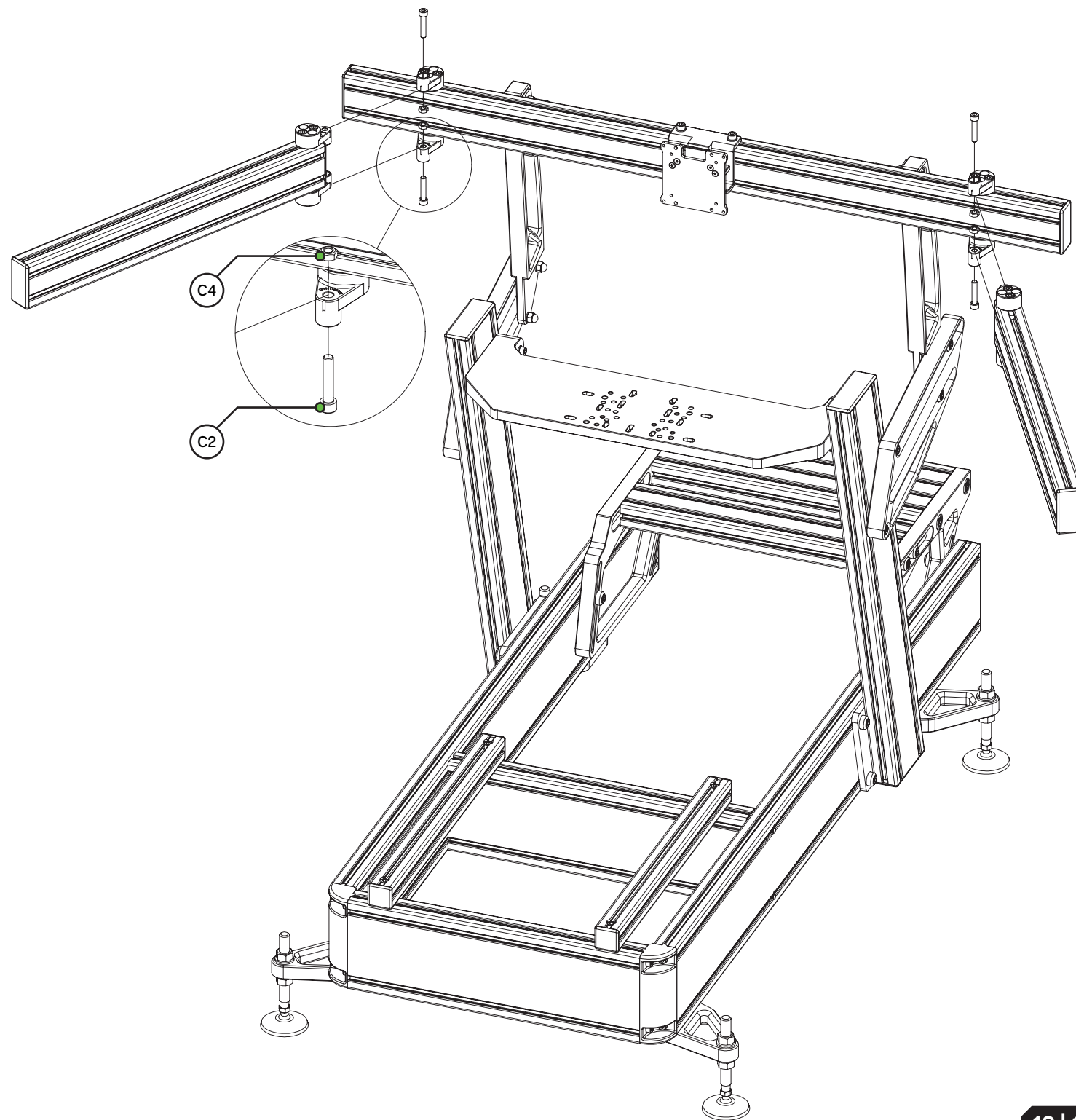
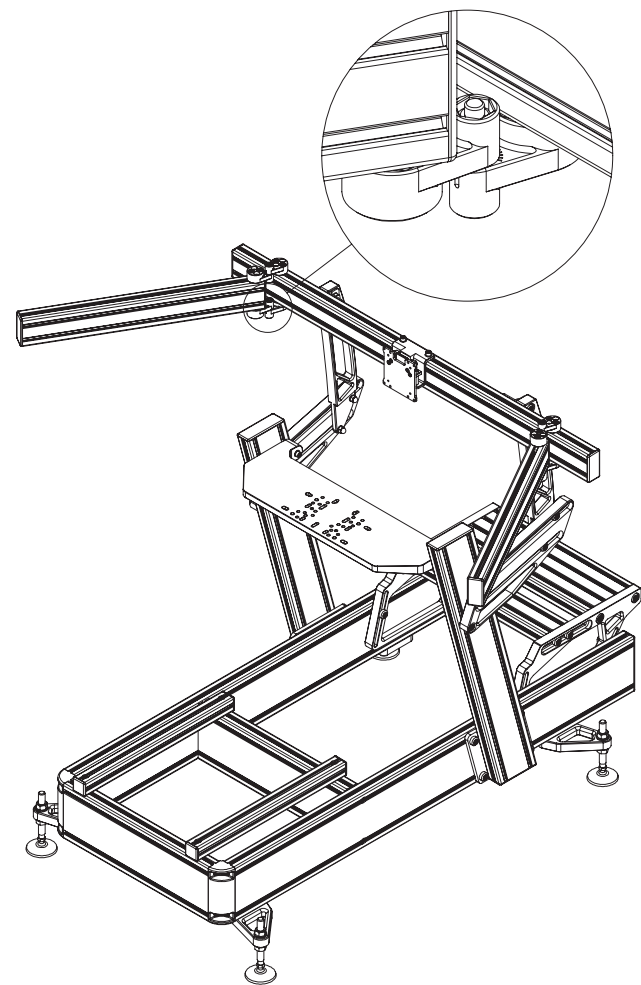
M8 X 40

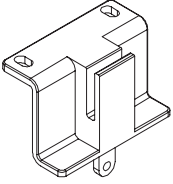
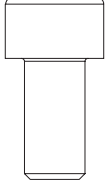
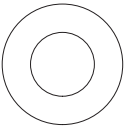
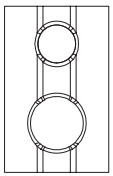
Nut M8

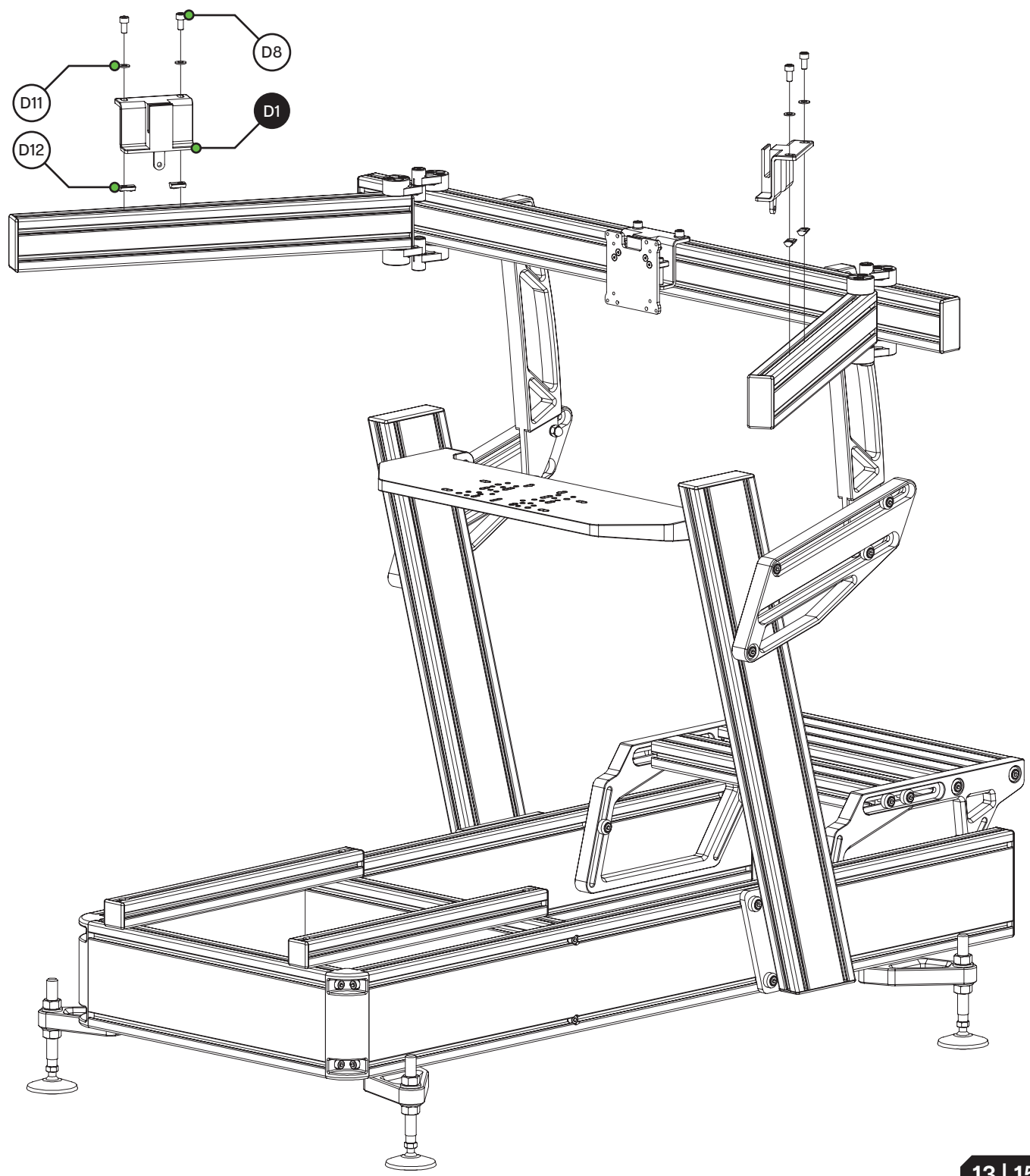


4X

4X



Vario VESA Holder	M8 X 16	Washer M8	Slot-Nut M8
			
2X	4X	4X	4X



**BOX A - SINGLE MONITOR MOUNT
PROFILE KIT**

#	Part	QTY	Note
A1	80X40 Length=1195mm	1	

HARDWARE KIT

A2	Integrated monitor bracket	2	
A3	Integrated monitor upright	2	
A4	Integrated monitor corner bracket	2	
A5	Profile 80x40 end-cap	2	
A6	Bolt M8 X 45 DIN 912	4	
A7	Bolt M8 X 40 DIN 912	4	
A8	Bolt M8 X 30 DIN 912	4	
A9	Bolt M8 X 16 DIN 912	4	
A10	Cap-Washer M8	12	
A11	Washer M8 DIN 988	12	
A12	Washer M8 DIN 125-A	12	
A13	Lock-Nut M8	8	
A14	Slot-Nut M8	8	
A15	Nut Cap M8	8	

**BOX B - TRIPLE MONITOR MOUNT (upgrade, depending on purchase)
PROFILE KIT**

#	Part	QTY	Note
B1	80X40 Length=580mm	2	

HARDWARE KIT

B2	Profile 80x40 end-cap	4	
----	-----------------------	---	--

**BOX C - Xero-Play triple pivot set (upgrade, depending on purchase)
HARDWARE KIT**

#	Part	QTY	Note
C1	Xero-Play triple pivot adapter	8	
C2	Bolt M8 X 40 DIN 912	4	
C3	Bolt M8 X 25 DIN 912	16	
C4	Nut M8	4	
C5	Slot-Nut M8	16	

**BOX D - Vario VESA adapter set (amounts depending on purchase)
HARDWARE KIT**

#	Part	QTY	Note
D1	Vario VESA holder	1	
D2	Vario VESA plate	1	
D3	Vario VESA pin holder	2	
D4	Vario VESA pin	1	
D5	Bolt M5 X 20 DIN 7991	4	
D6	Screw M4 X 16 DIN 7985	4	Philips head.
D7	Screw M4 X 10 DIN 7985	4	Philips head.
D8	Bolt M8 X 16 DIN 912	2	
D9	Set screw M8 X 40 DIN 916	3	
D10	Set screw M5 X 20 DIN 916	2	
D11	Washer M8 DIN 125-A	2	
D12	Slot-Nut M8	2	
D13	Standoff M4 x 10	4	

Disclaimer: for some entries on this page, we supply more than required as spare materials. Don't worry if you have some leftovers, this is intentional.

If you still have some questions regarding assembly of this product or about the manual itself, please refer to our support department. They can be reached at

support@sim-lab.eu

Alternatively, we now have a Discord server where there are quite some experienced Sim-Lab customers hanging out. They might just help you along if you ask them nicely ;)

www.sim-lab.eu/discord

If you feel like printing this manual, please consider the environment before doing so. For the best results, make sure you print at 100% scale without borders.

[Product page on the Sim-Lab website:](#)

