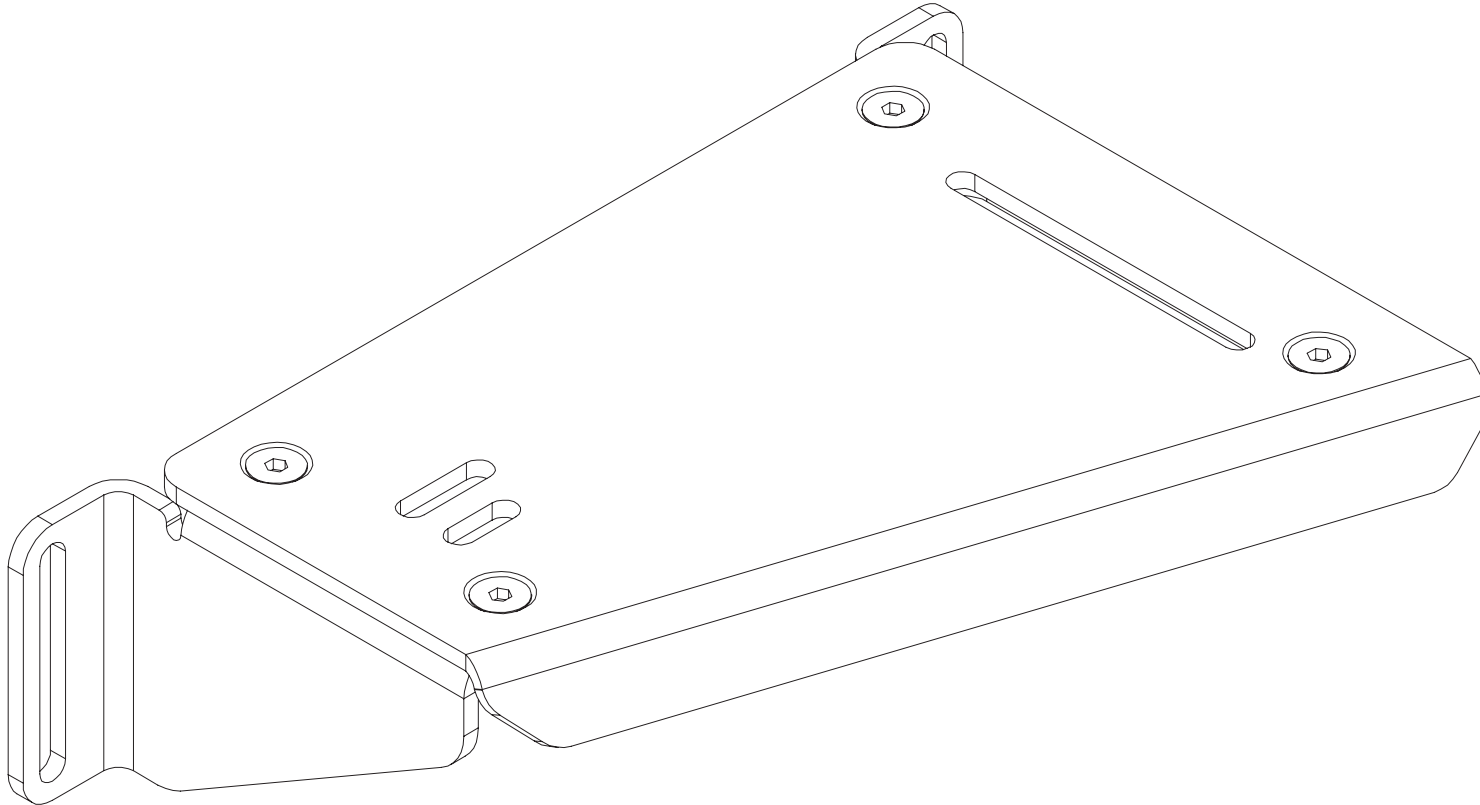


SIM LAB
INSTRUCTION MANUAL



XB-1 Mounting Bracket
VERSION 1.0
Last updated: 30-05-2023

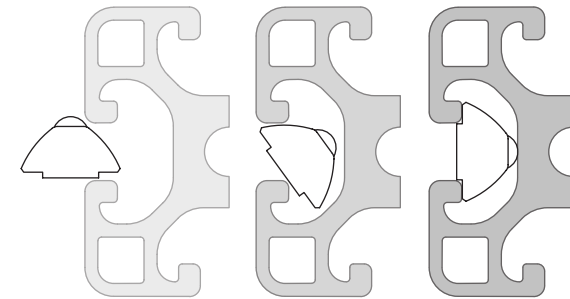
BEFORE YOU START:

Thank you for purchasing this Sim-Lab product! On the following pages, you will find detailed instructions on assembly. This requires only a set of simple tools and some of your time. Please check the bill of materials before starting (page 8) and make sure all the parts are delivered.

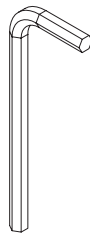
This product only consist of a bracket to be able mount your XB-1 Loadcell Handbrake next to an existing shifter (mount). Using this bracket, you can use your sequential or h-shifter simultaneously with the XB-1 Loadcell Handbrake for the ultimate rally or rallycross experience with all controls you need, where you need them.

Inserting Slot-Nuts:

You got excited, finished the build, put the caps on, but forgot to install one element. Do not worry. It happens to everyone. In this diagram, you can see how to insert a Slot-Nut directly into the slot from the side. You can also use one of your smaller Hex wrenches to help wiggle the Slot-Nut in place.



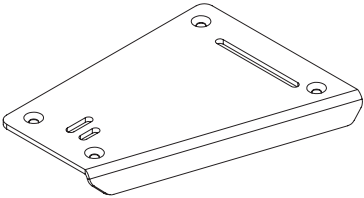
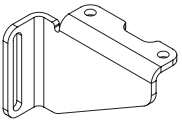
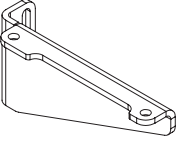
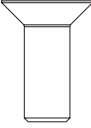
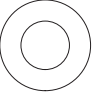

Tools needed:

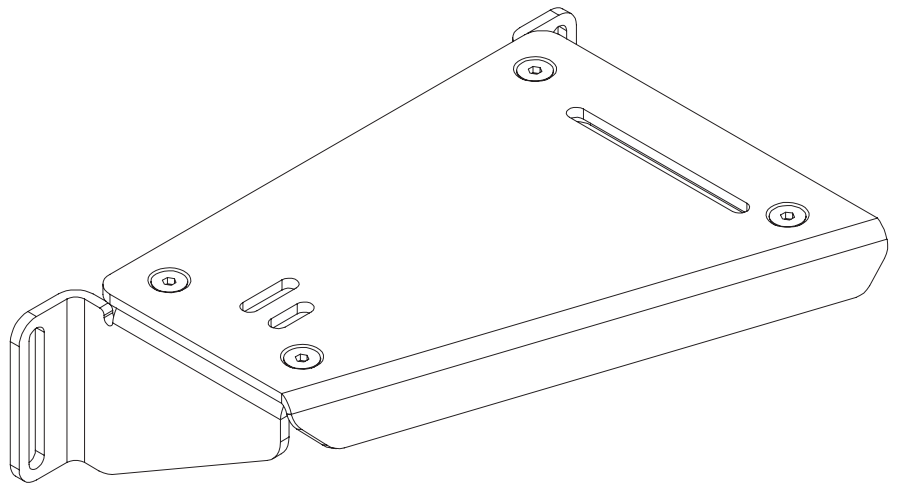
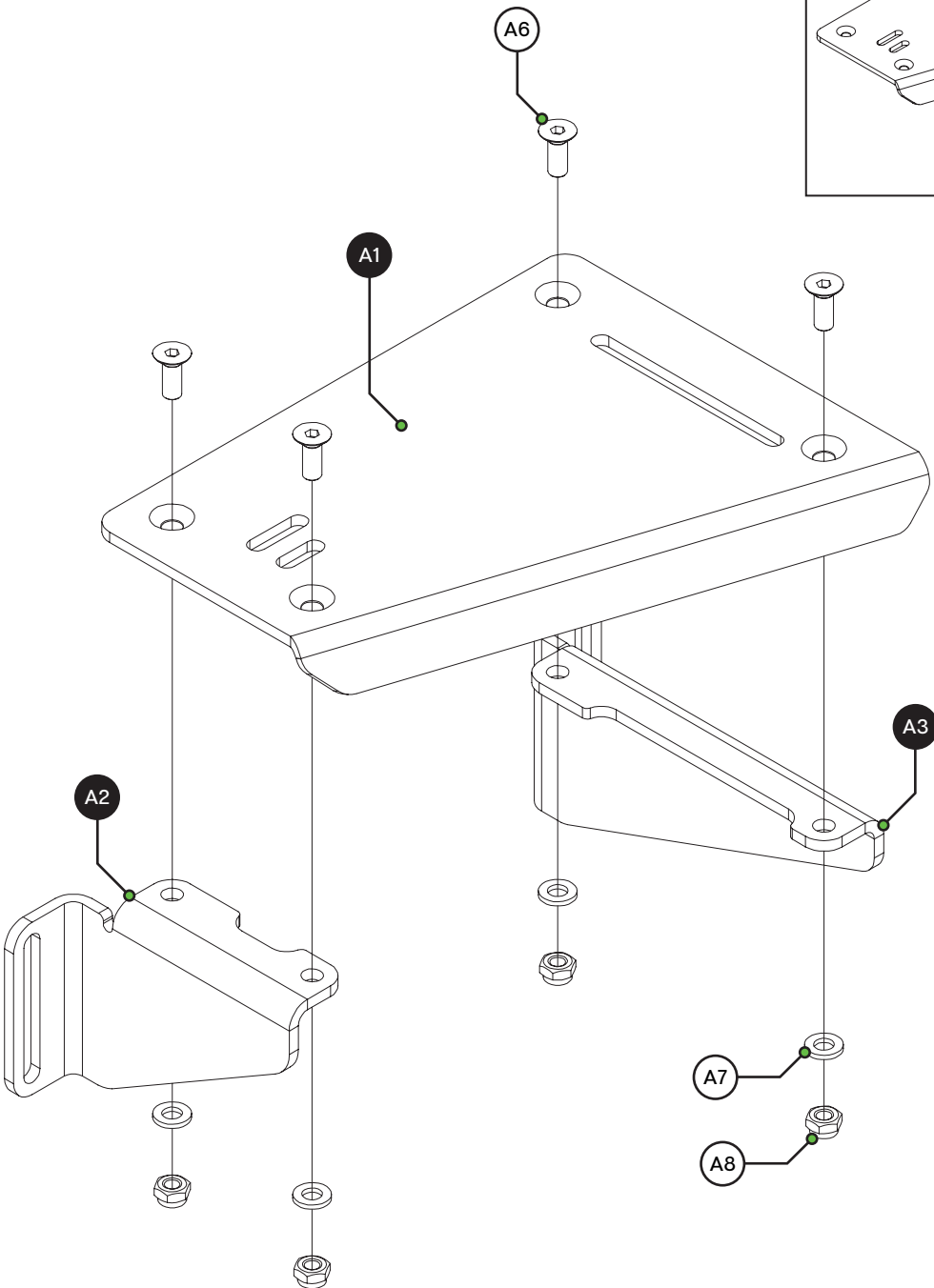


5/6MM

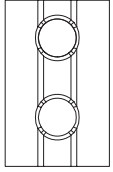


10MM

Bracket Top (A1)	Bracket Front (A2)	Bracket Rear (A3)	M6 X 16	Washer M6	Lock-Nut M6
					
1X	1X	1X	4X	4X	4X

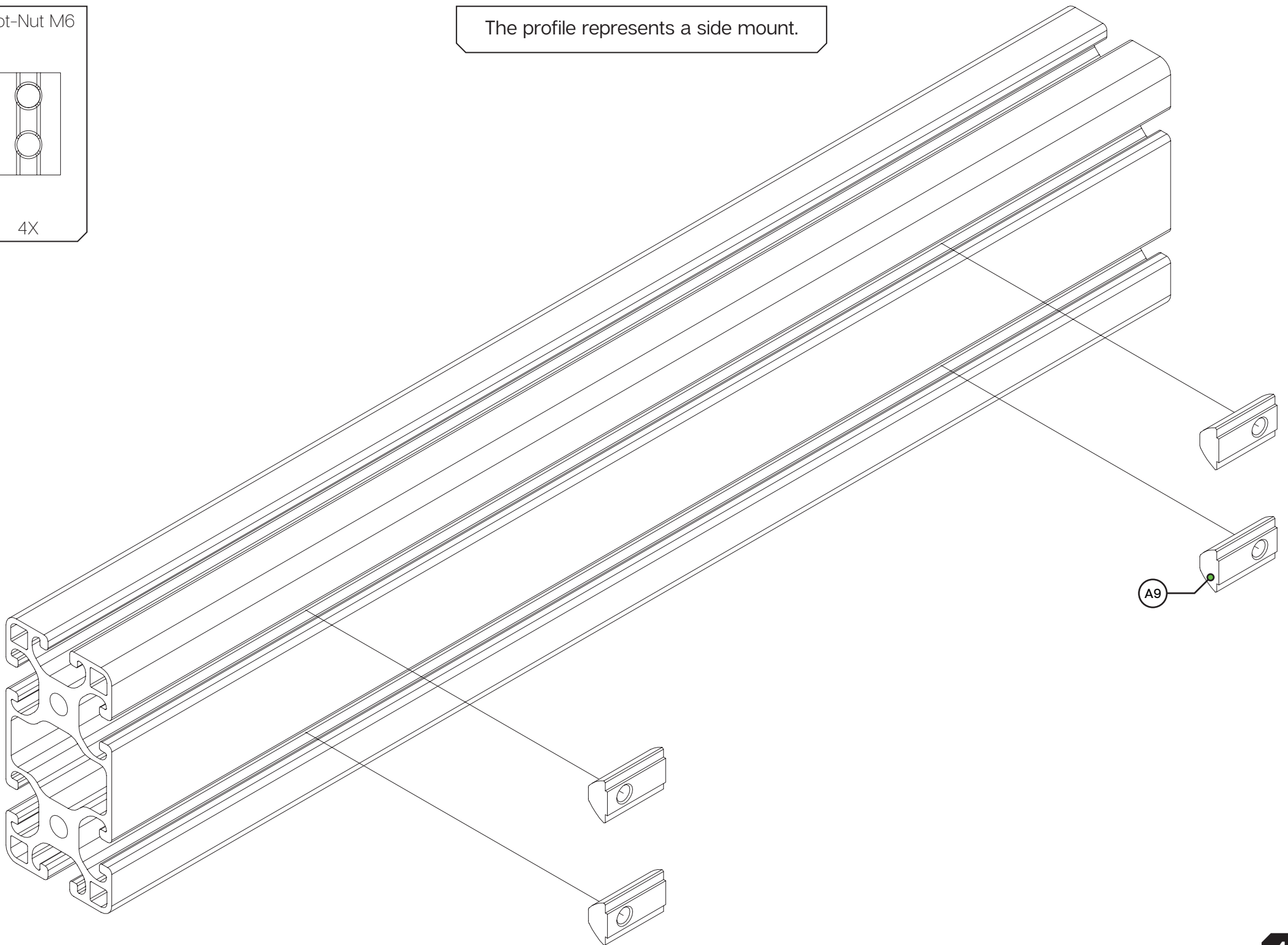


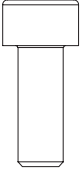
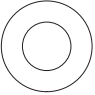
Slot-Nut M6

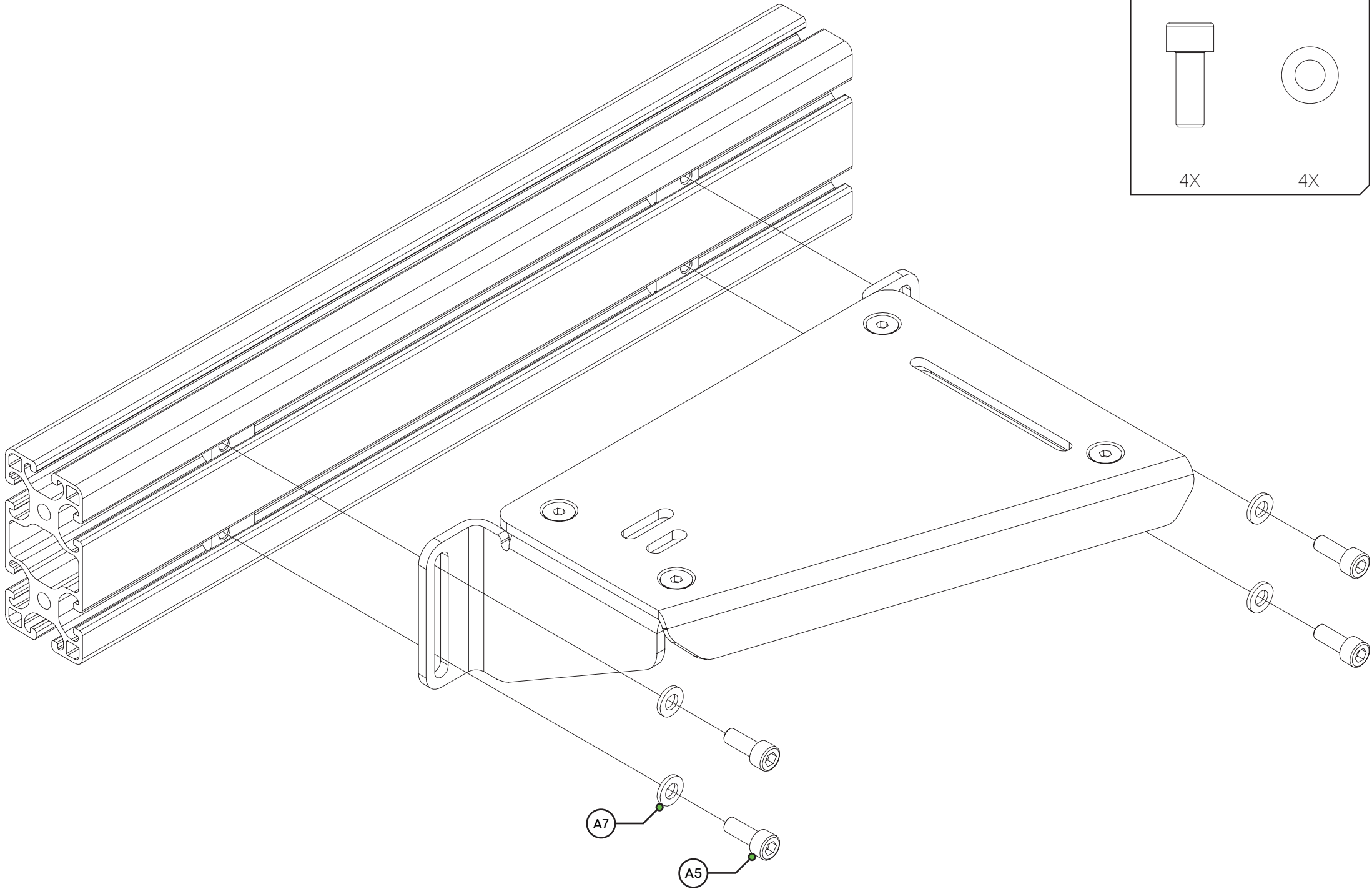


4X

The profile represents a side mount.



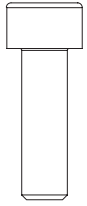
M6 X 16	Washer M6
	
4X	4X



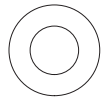
M6 X 20

Washer M6

Lock-Nut M6



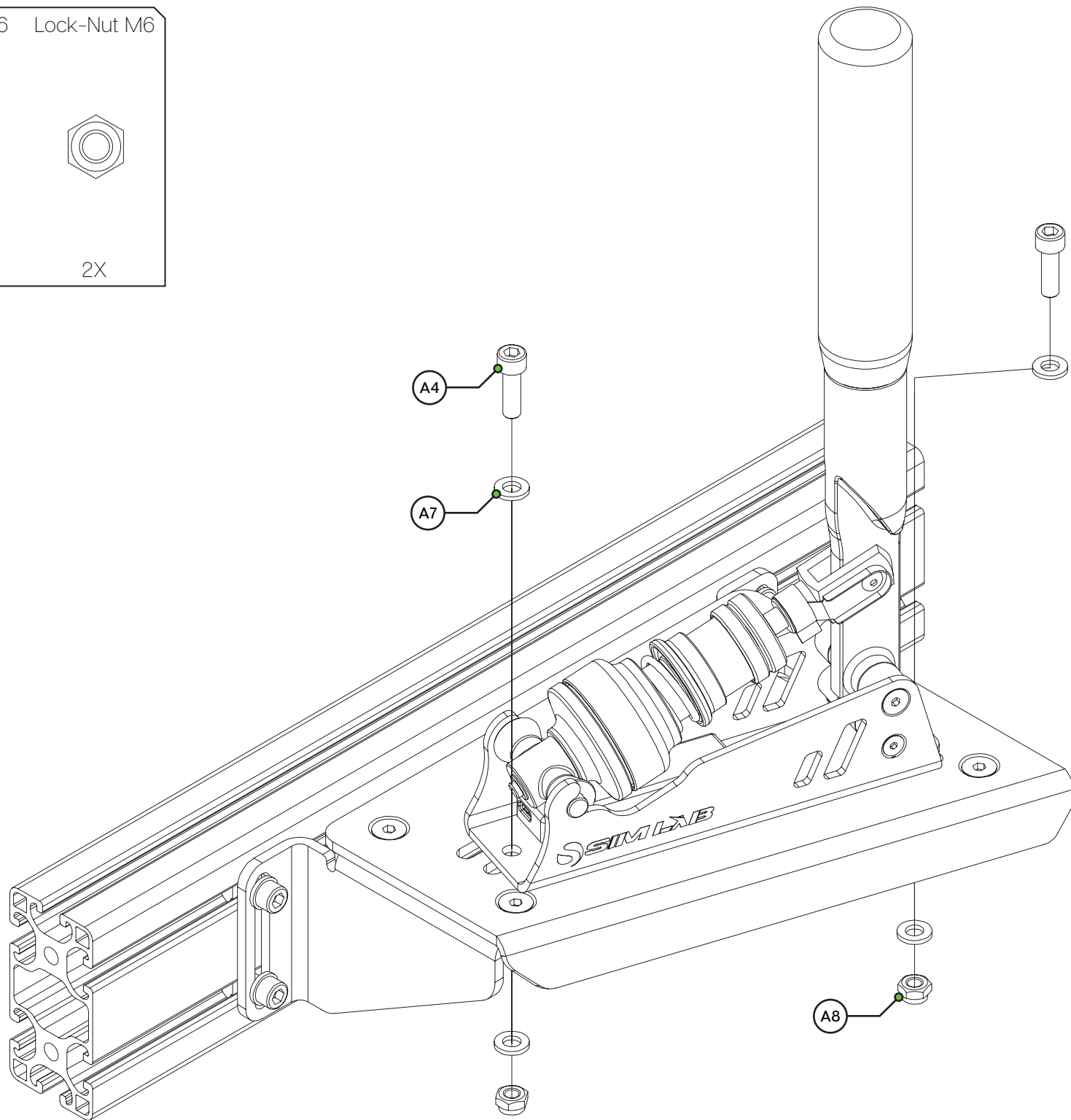
2X



4X

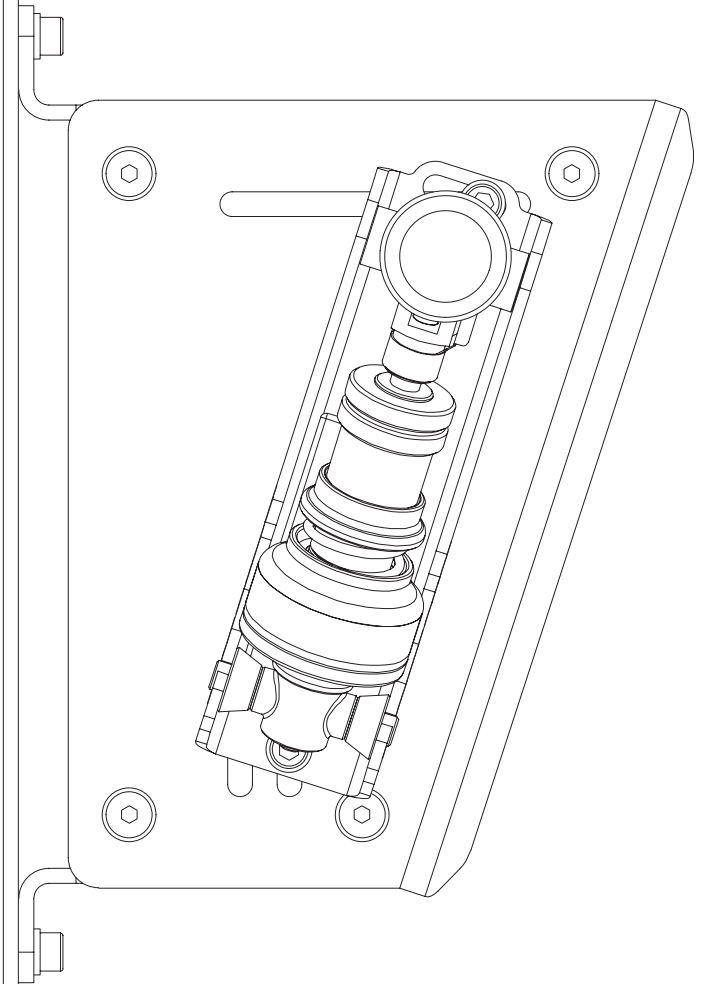
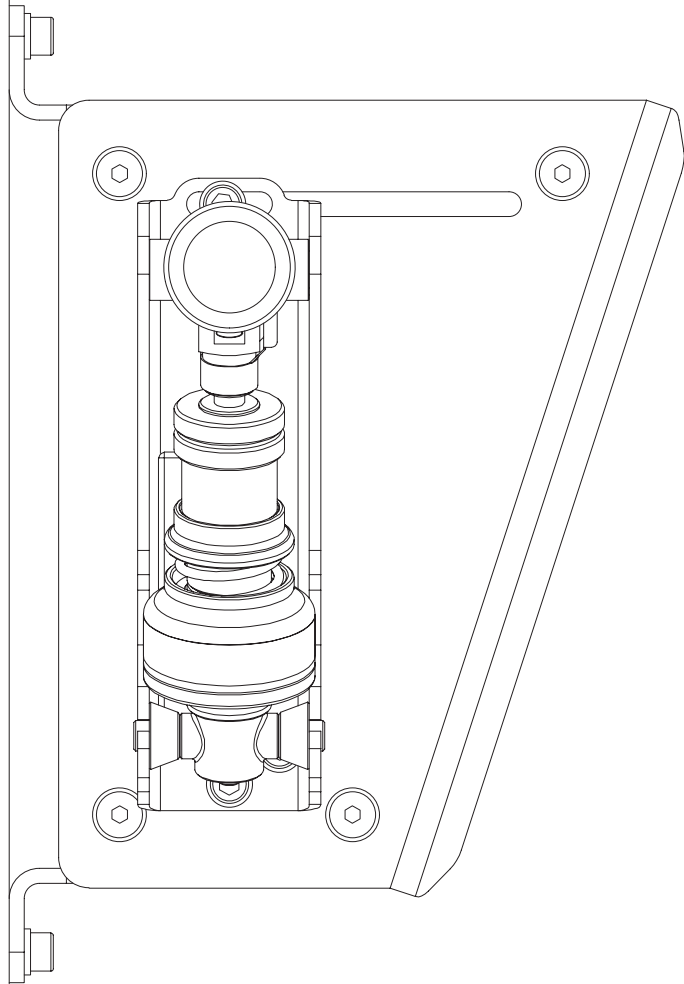


2X



The maximum angle the handbrake can be positioned at is about 20 degrees.

With the two shorter slots, you can make sure to clear a big h-shifter.



**XB-1 Mounting Bracket
HARDWARE KIT**

#	Part	QTY	Note
A1	Bracket Top	1	
A2	Bracket Front	1	
A3	Bracket Rear	1	
A4	Bolt M6 X 20 DIN 912	2	
A5	Bolt M6 X 16 DIN 912	4	
A6	Bolt M6 X 16 DIN 7991	4	Countersunk
A7	Washer M6 DIN 125-A	12	
A8	Lock-Nut M6	6	
A9	Slot-Nut M6	4	

Disclaimer: for some entries on this list, we supply more than required as spare materials. Don't worry if you have some leftovers, this is intentional.

If you still have some questions regarding assembly of this product or about the manual itself, please refer to our support department. They can be reached at

support@sim-lab.eu

Alternatively, we now have a Discord server where there are quite some experienced Sim-Lab customers hanging out. They might just help you along if you ask them nicely ;)

www.sim-lab.eu/discord

If you feel like printing this manual, please consider the environment before doing so. For the best results, make sure you print at 100% scale without borders.

[Product page on the Sim-Lab website:](#)

