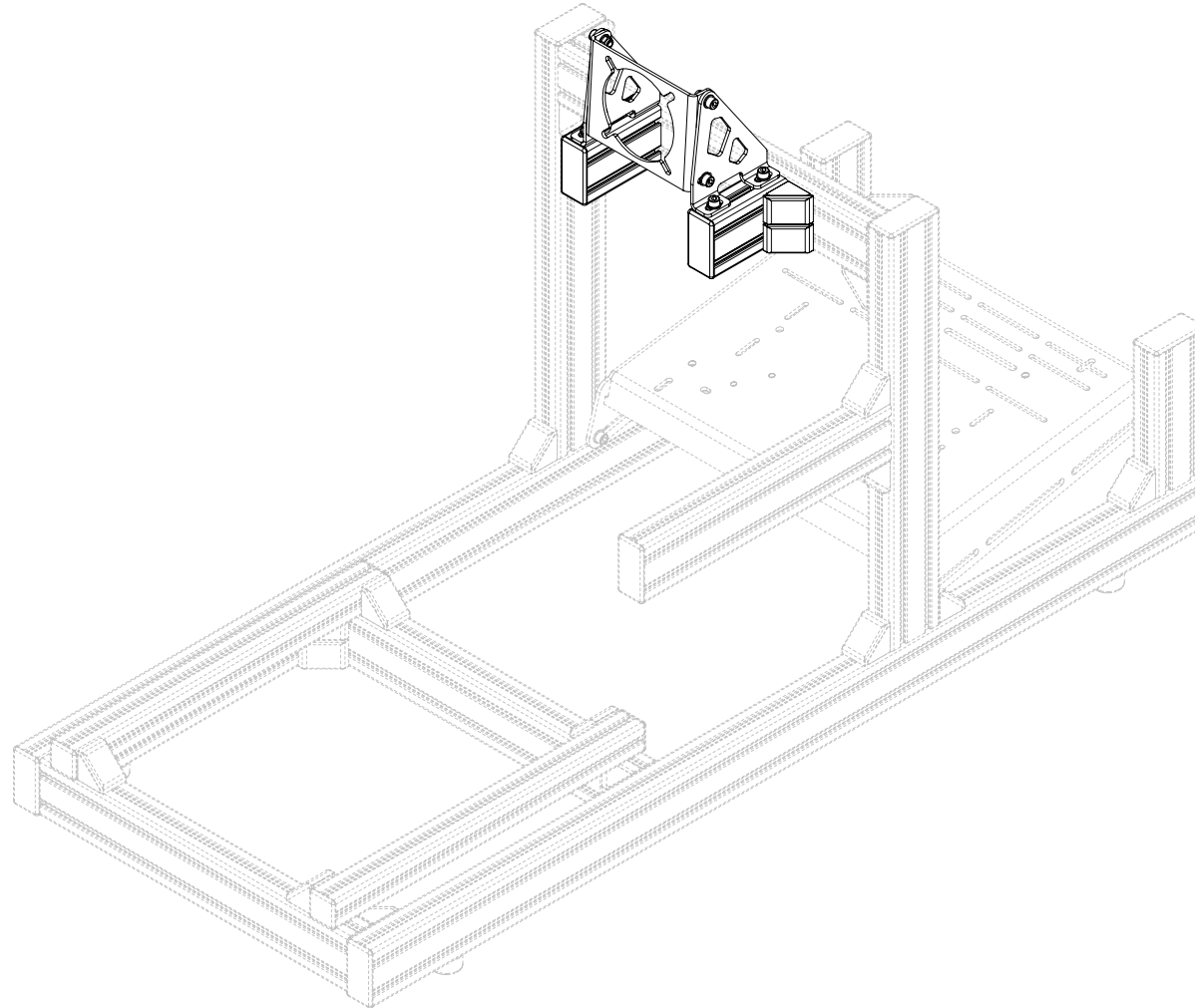


SIM LAB

INSTRUCTION MANUAL



GT1-EVO DIRECT DRIVE MOUNT

VERSION 1.1

Last updated: 23-02-2022

BEFORE YOU START:

Thank you for purchasing this Sim-Lab product! On the following pages, you will find detailed instructions on assembly. This requires only a set of simple tools and some of your time. Please check the bill of materials before starting (page 9) and make sure all the parts are delivered.

This manual concerns two products, our standalone 'Servo Motor Holder' and 'GT1-EVO Direct Drive Mount'. Since one is bundled with the other, we combined manuals.

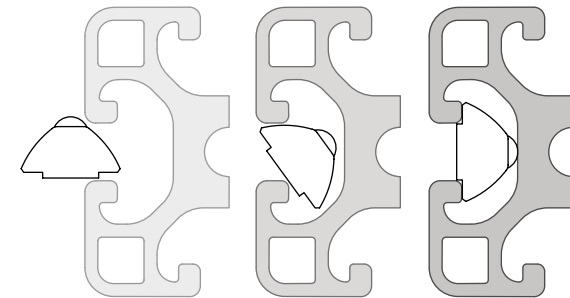
In case you purchased the 'Servo Motor Holder' please refer to pages 3, 7(MiGe) or 8(SimuCube) for your assembly and installation instructions. When installing the servo motors, it is easier if someone can assist you.

Note:

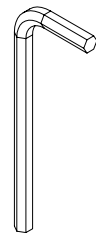
Depending on your date of purchase, you may or may not have received additional washers (A6). If this is the case, use one on every M8 bolt to install brackets. This was a temporary solution and will be phased out as soon as possible and therefore is omitted from this instruction manual.

Inserting Slot-Nuts:

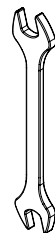
You got excited, finished the build, put the caps on, but forgot to install one element. Do not worry. It happens to everyone. In this diagram, you can see how to insert a Slot-Nut directly into the slot from the side. You can also use one of your smaller Hex wrenches to help wiggle the Slot-Nut in place.



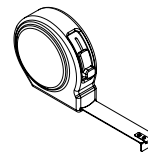
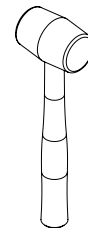
Tools needed:

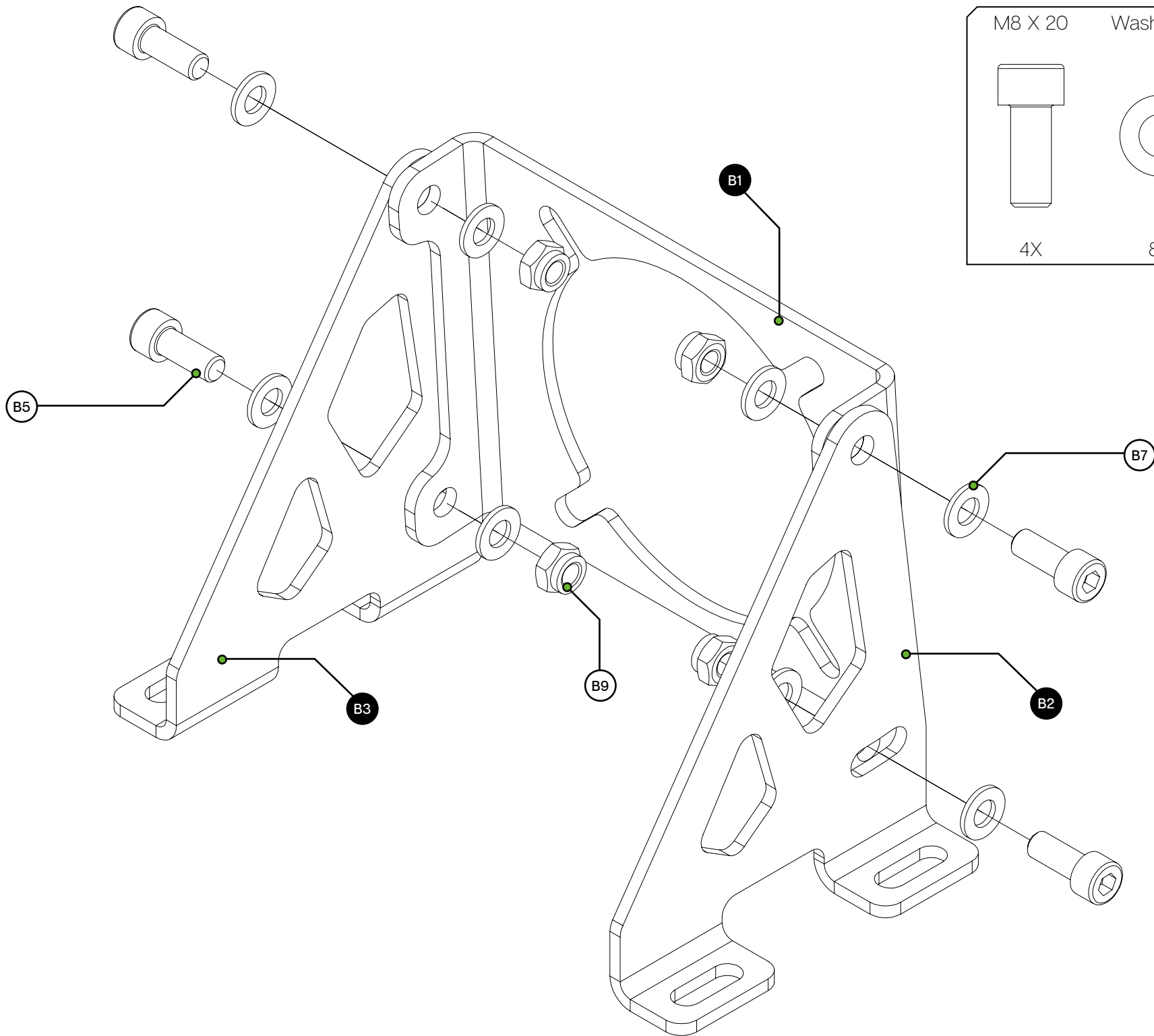


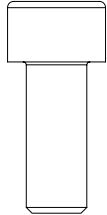
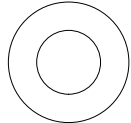
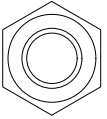
6MM

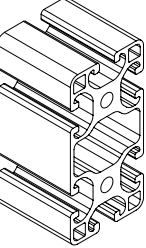
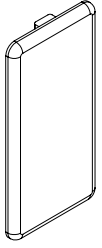
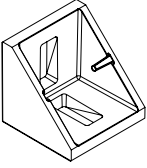
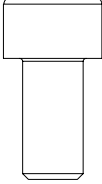
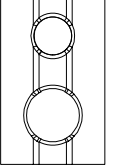


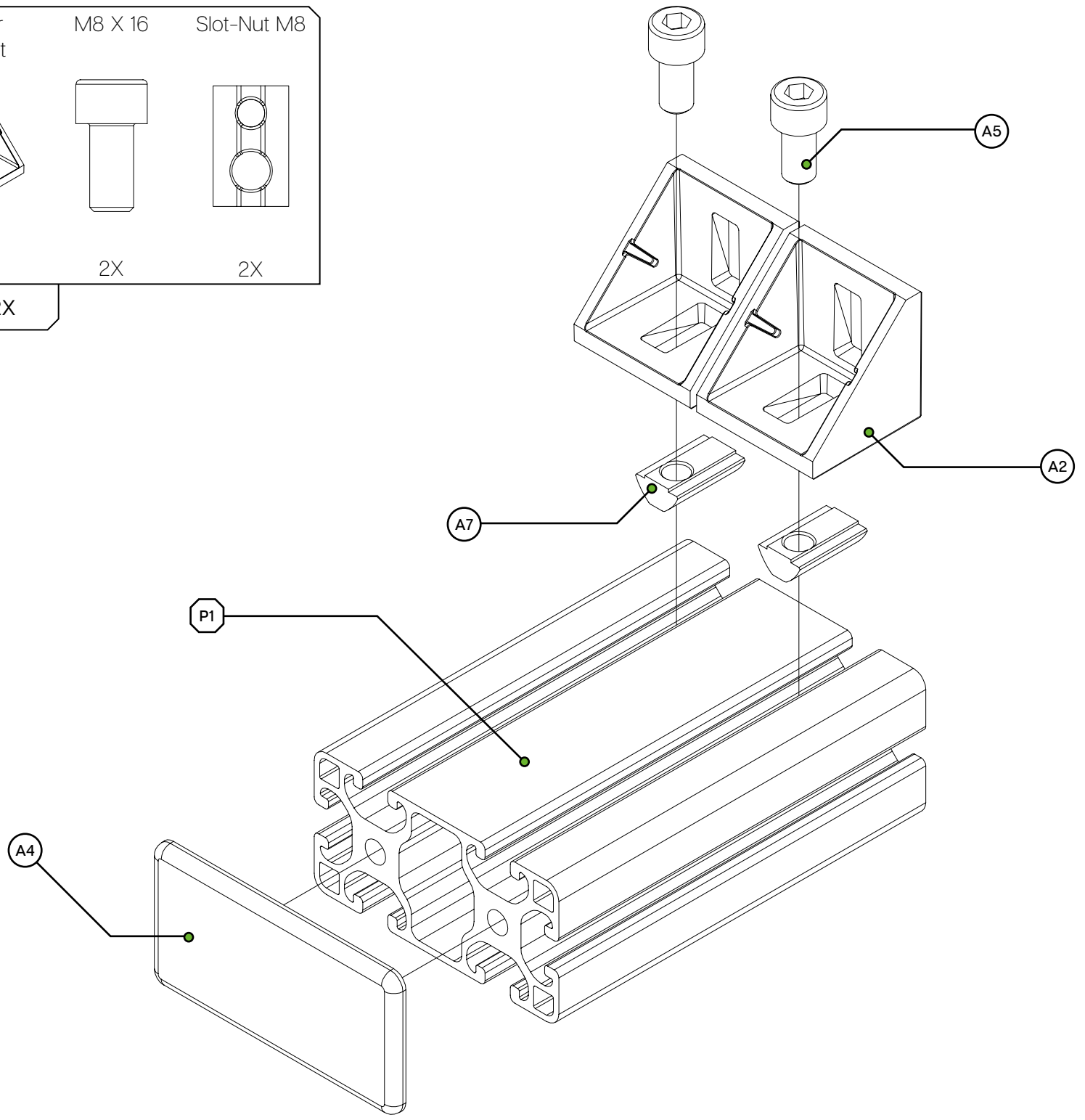
13MM





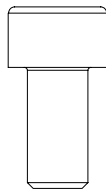
| M8 X 20 | Washer M8 | Lock-Nut M8 |
|---|---|---|
|  |  |  |
| 4X | 8X | 4X |

| | | | | |
|--|---|---|---|---|
| Profile 80x40 | Profile 80x40 End-Cap | Corner Bracket | M8 X 16 | Slot-Nut M8 |
|  |  |  |  |  |
| 1X | 1X | 2X | 2X | 2X |
| BUILD 2X | | | | |

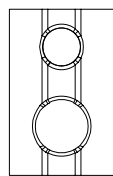


M8 X 16

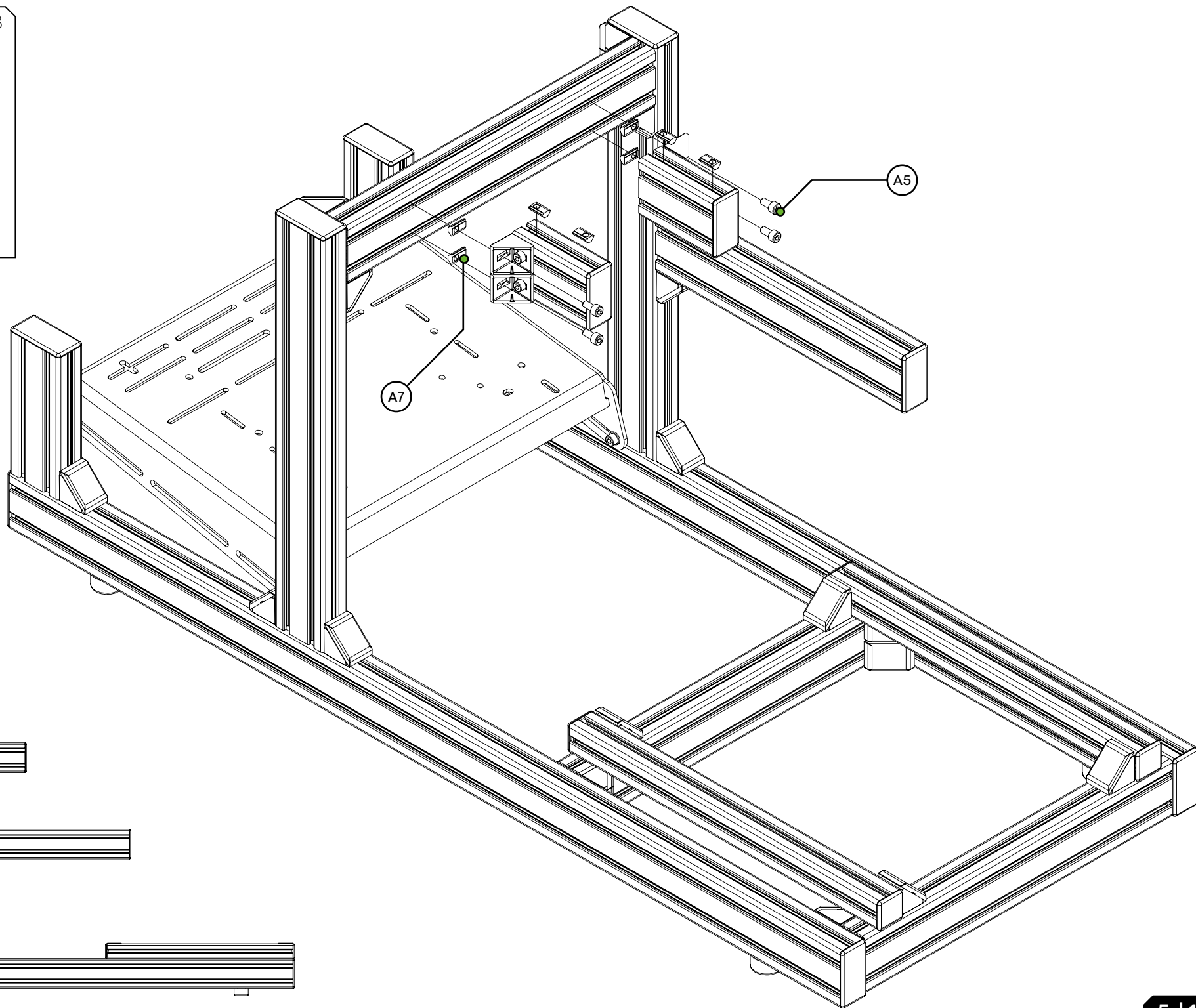
Slot-Nut M8

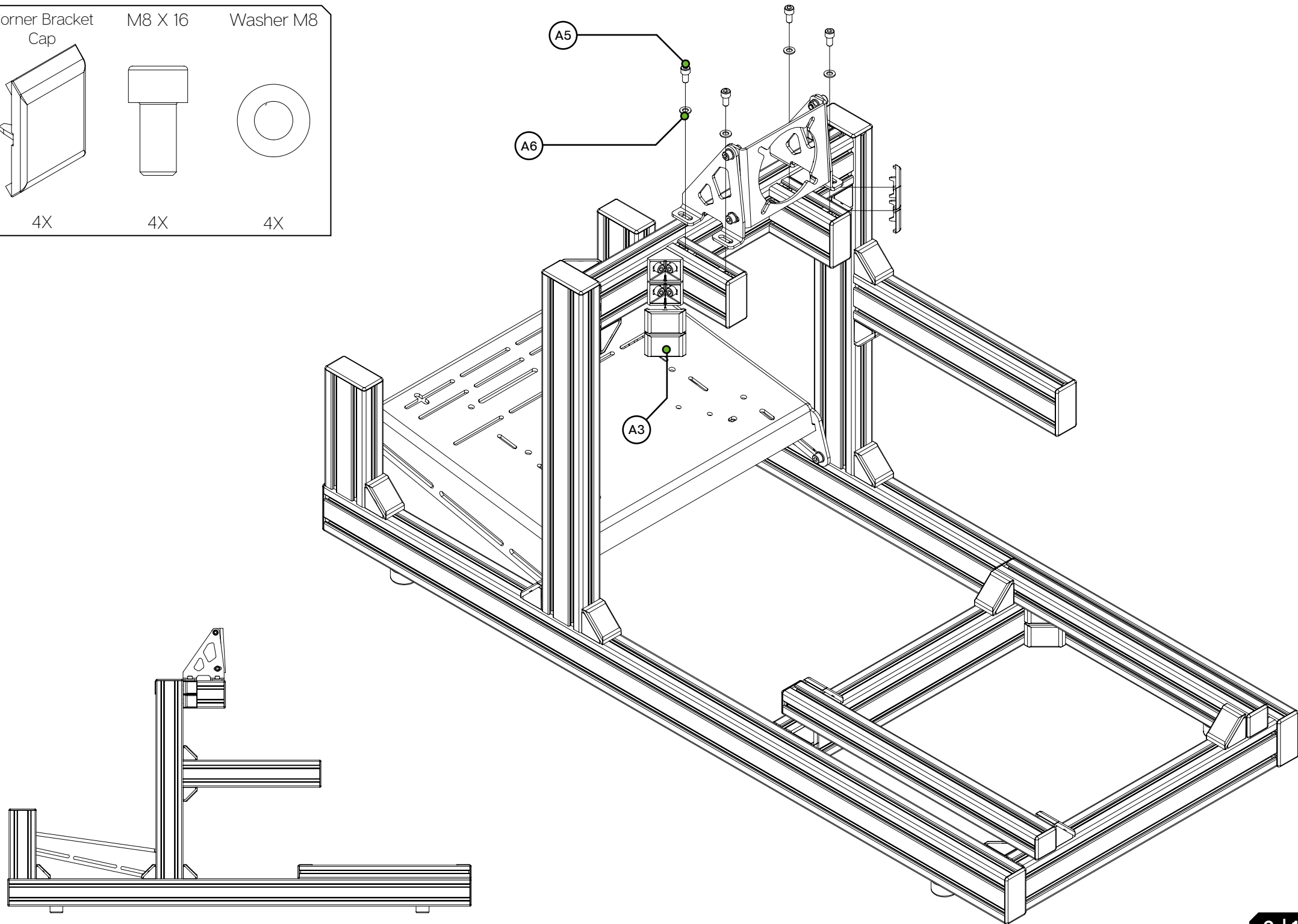
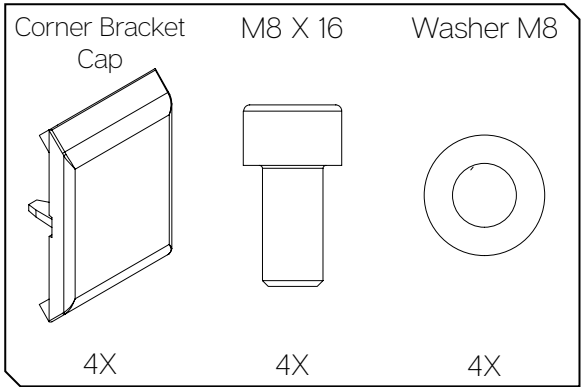


4X



8X



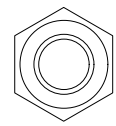
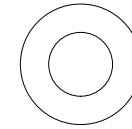
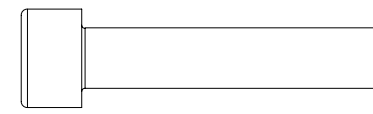


MIGE

M8 X 40

Washer M8

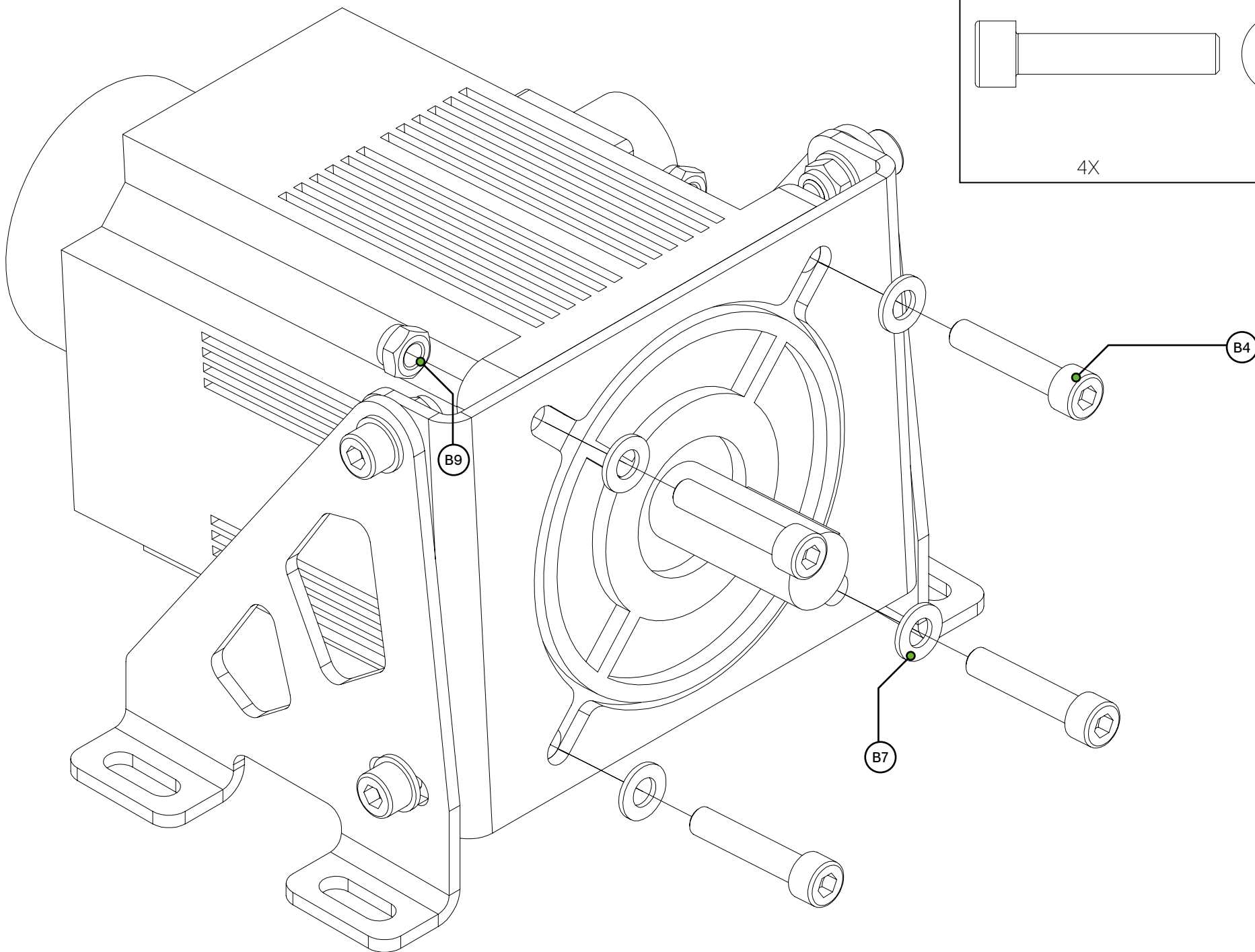
Lock-Nut M8



4X

4X

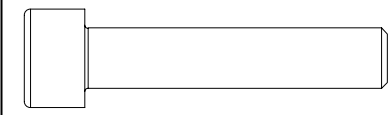
4X



SIMUCUBE

M8 X 40

Washer M8



4X

4X

B4

B7

GT1-EVO DIRECT DRIVE MOUNT PROFILE KIT

| # | Part | QTY | Note |
|--------------|--------------------------|-----|------|
| P1 | 80X40 Length=120mm | 2 | |
| HARDWARE KIT | | | |
| A2 | Corner bracket 40x40 | 4 | |
| A3 | Corner bracket 40x40 cap | 4 | |
| A4 | Profile 80x40 end-cap | 2 | |
| A5 | Bolt M8 X 16 DIN 912 | 12 | |
| A6 | Washer M8 DIN 125-A | 12 | |
| A7 | Slot-Nut M8 | 12 | |

SERVO MOTOR HOLDER HARDWARE KIT

| # | Part | QTY | Note |
|----|--------------------------|-----|----------------------|
| B1 | Servo Motor Holder | 1 | |
| B2 | Servo Motor Holder LEFT | 1 | |
| B3 | Servo Motor Holder RIGHT | 1 | |
| B4 | Bolt M8 X 40 DIN 912 | 4 | |
| B5 | Bolt M8 X 20 DIN 912 | 4 | |
| B6 | Bolt M8 X 16 DIN 912 | 4 | When used standalone |
| B7 | Washer M8 DIN 125-A | 16 | |
| B8 | Slot-Nut M8 | 4 | When used standalone |
| B9 | Lock-Nut M8 | 8 | |

Disclaimer: for some entries on this list, we supply more than required as spare materials. Don't worry if you have some leftovers, this is intentional.

If you still have some questions regarding assembly of this product or about the manual itself, please refer to our support department. They can be reached at

support@sim-lab.eu

Alternatively, we now have a Discord server where there are quite some experienced Sim-Lab customers hanging out. They might just help you along if you ask them nicely ;)

www.sim-lab.eu/discord

If you feel like printing this manual, please consider the environment before doing so. For the best results, make sure you print at 100% scale without borders.

[GT1-EVO Direct Drive mount](#)
[page on the Sim-Lab website:](#)



[Servo Motor Holder](#)
[page on the Sim-Lab website:](#)

