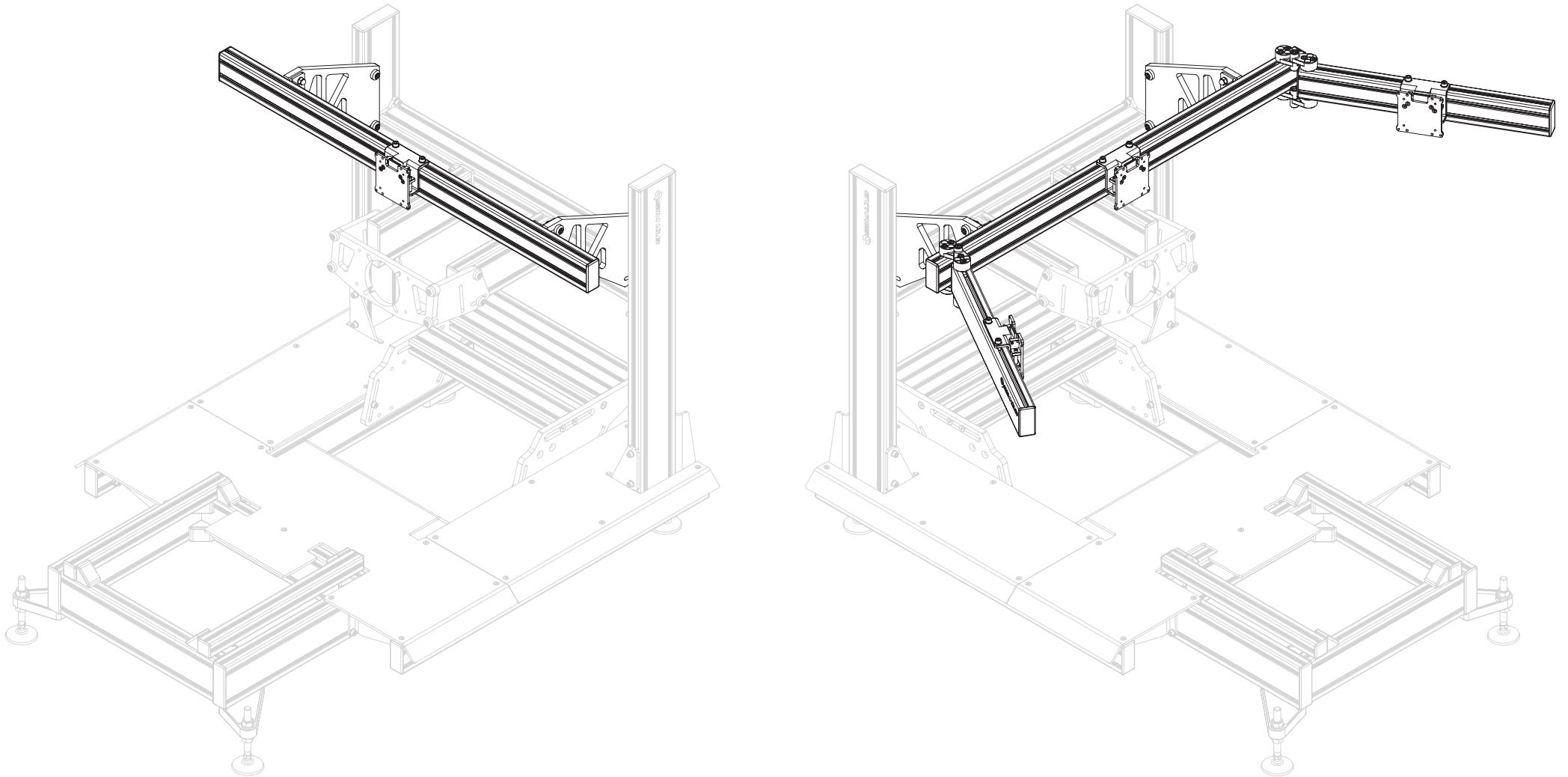


# **SIM LAB**

## INSTRUCTION MANUAL



### **X1-PRO INTEGRATED MONITOR MOUNT SINGLE/TRIPLE**

**VERSION 1.2**  
Last updated: 11-09-2023

## BEFORE YOU START:

Thank you for purchasing this Sim-Lab product! On the following pages, you will find detailed instructions on assembly. This requires only a set of simple tools and some of your time. Please check the bill of materials before starting (page 12) and make sure all the parts are delivered.

In this manual, we combined the single and triple integrated monitor mount. This is because we packaged the triple version as an upgrade to the single one.

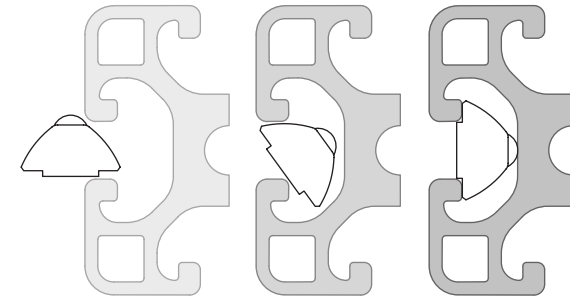
This product combines some products we normally offer separately. We encourage you to read the product manuals for included products if this one doesn't answer all of your questions. Please refer to the following if needed:

[www.sim-lab.eu/xero-play-pivots-manual](http://www.sim-lab.eu/xero-play-pivots-manual)

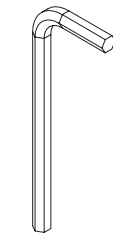
[www.sim-lab.eu/vario-vesa-manual](http://www.sim-lab.eu/vario-vesa-manual)

### Inserting Slot-Nuts:

You got excited, finished the build, put the caps on, but forgot to install one element. Do not worry. It happens to everyone. In this diagram, you can see how to insert a Slot-Nut directly into the slot from the side. You can also use one of your smaller Hex wrenches to help wiggle the Slot-Nut in place.



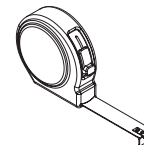
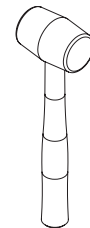
### Tools needed:

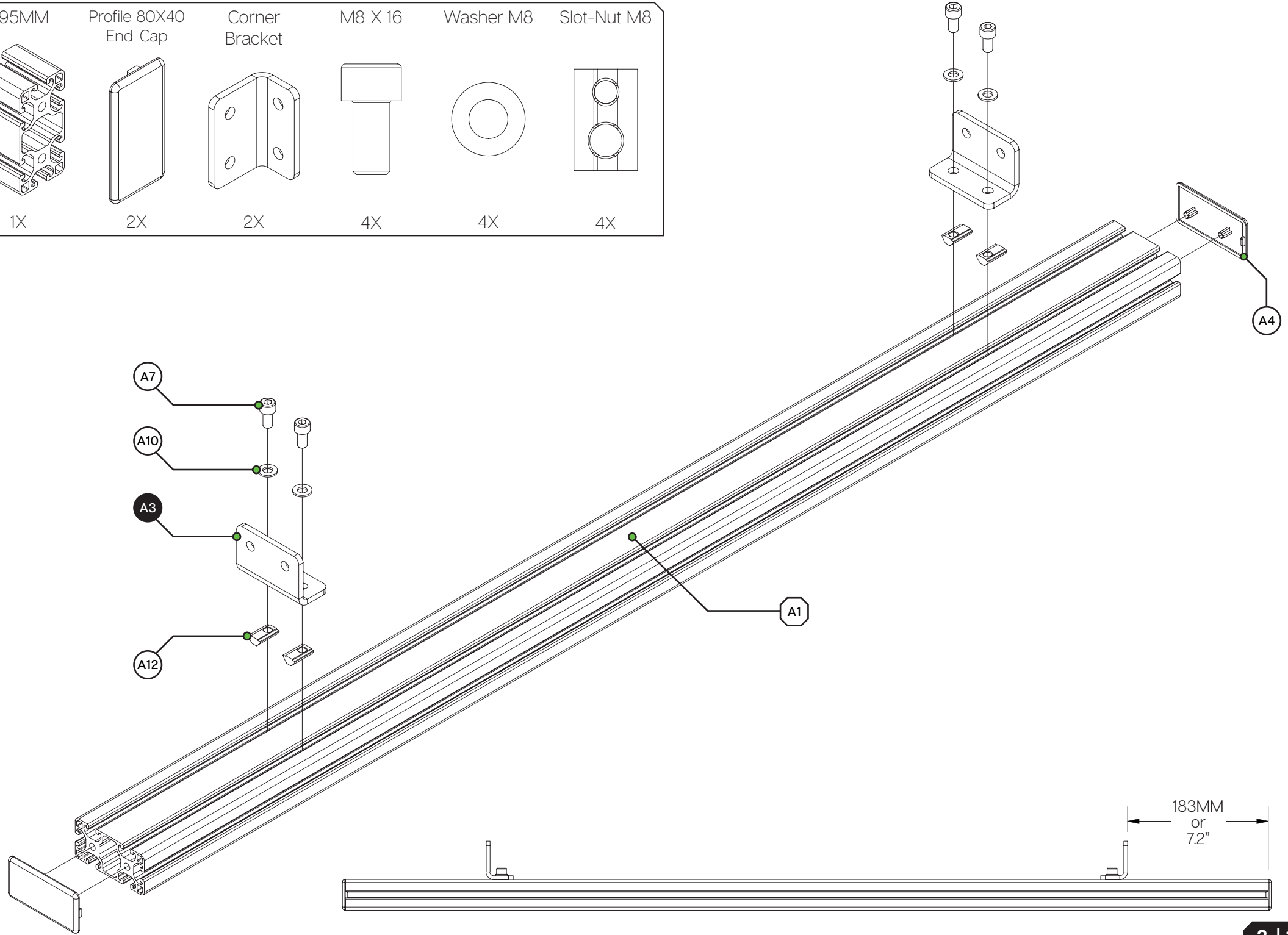
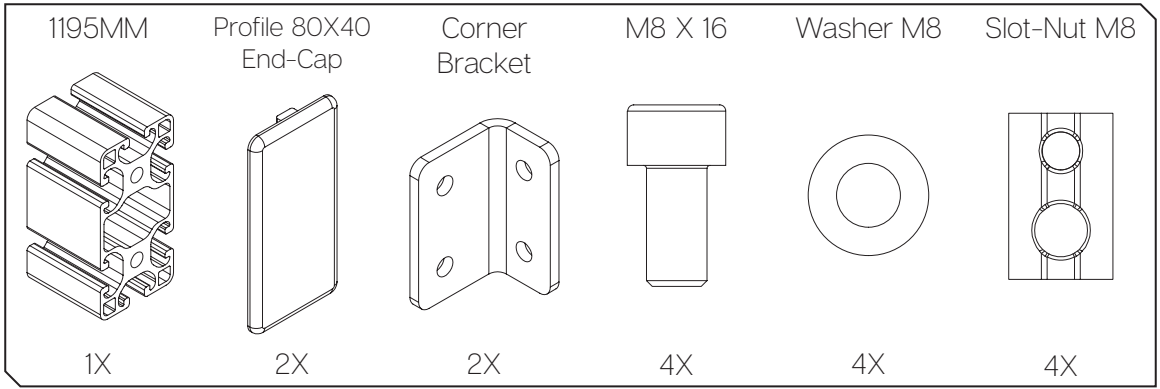


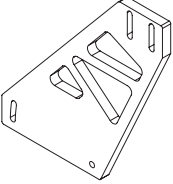
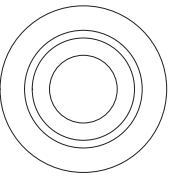
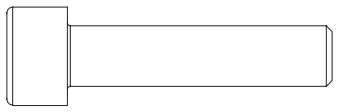
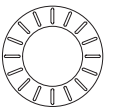
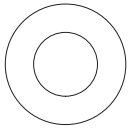
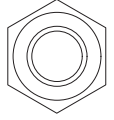
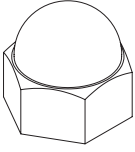
6MM

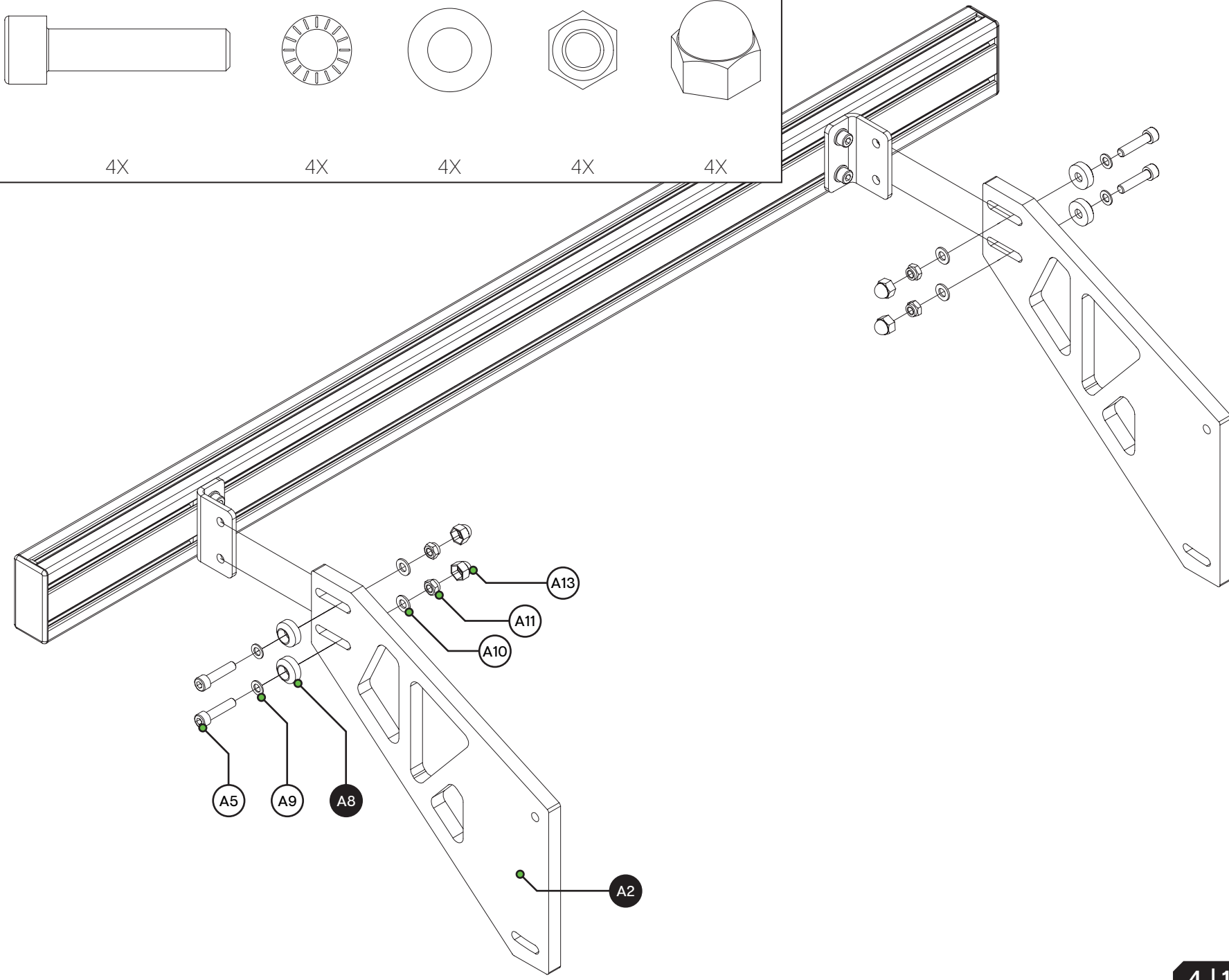


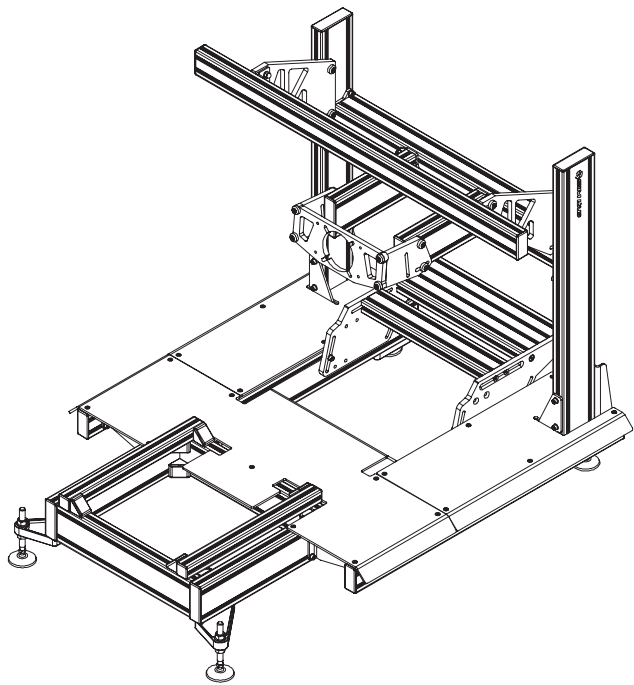
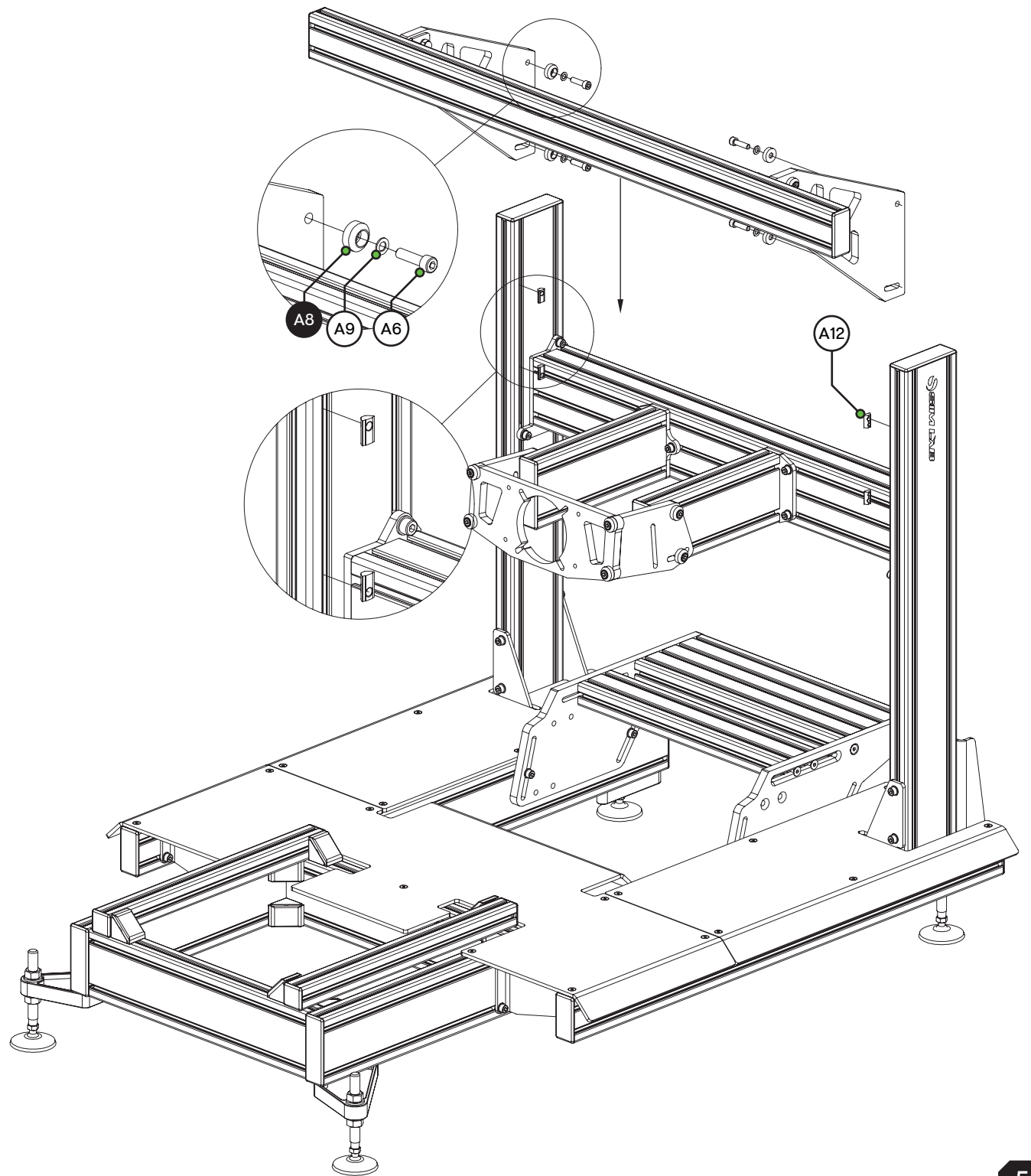
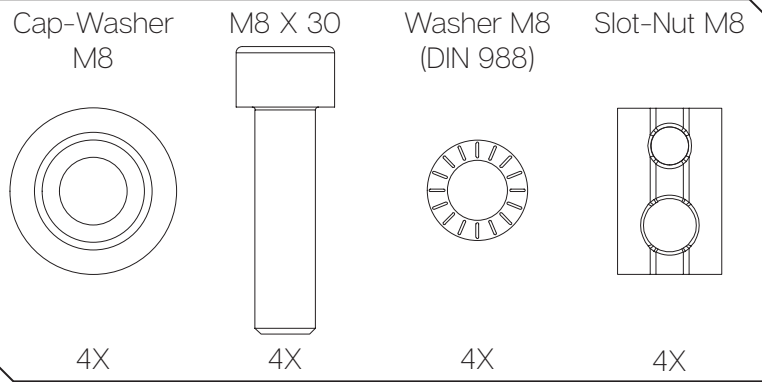
13MM





Monitor Side Plate	Cap-Washer M8	M8 X 35	Washer M8 (DIN 988)	Washer M8 (A10)	Lock-Nut M8	Nut Cap M8
						
2X	4X	4X	4X	4X	4X	4X



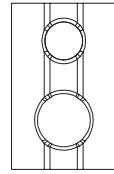
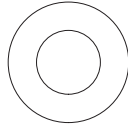
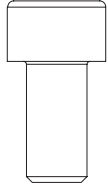
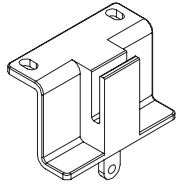


Vario VESA  
Holder

M8 X 16

Washer M8

Slot-Nut M8



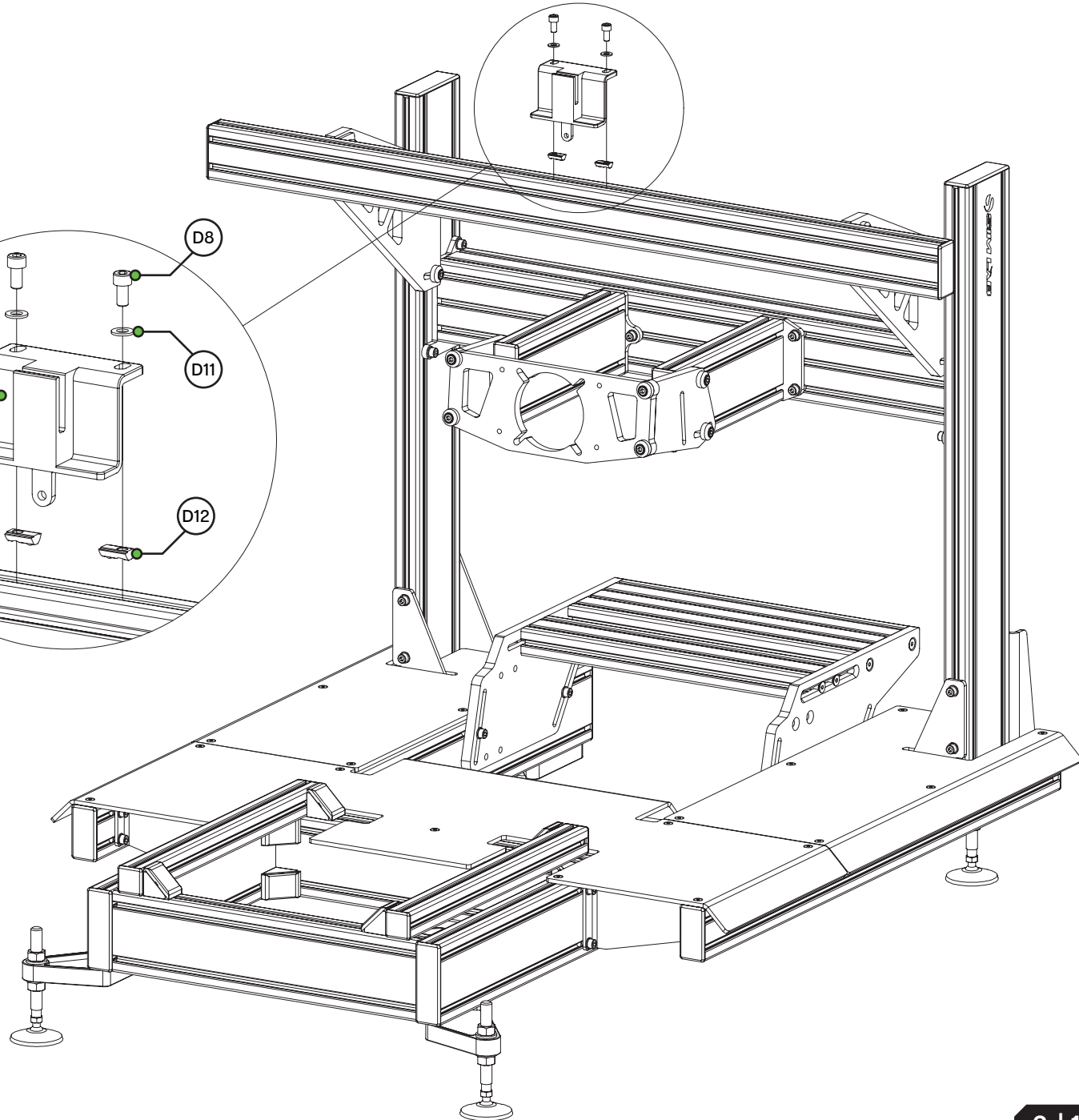
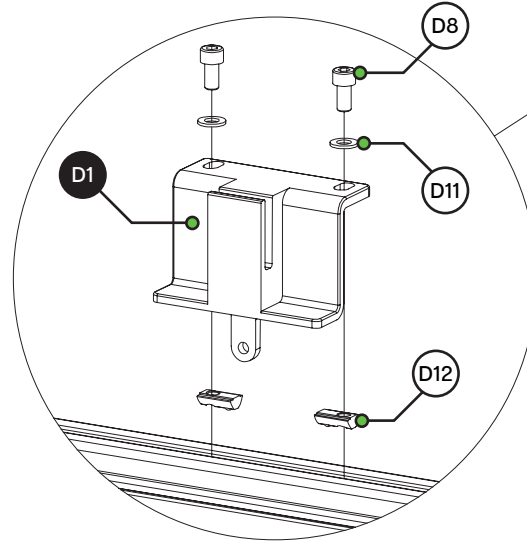
1X

2X

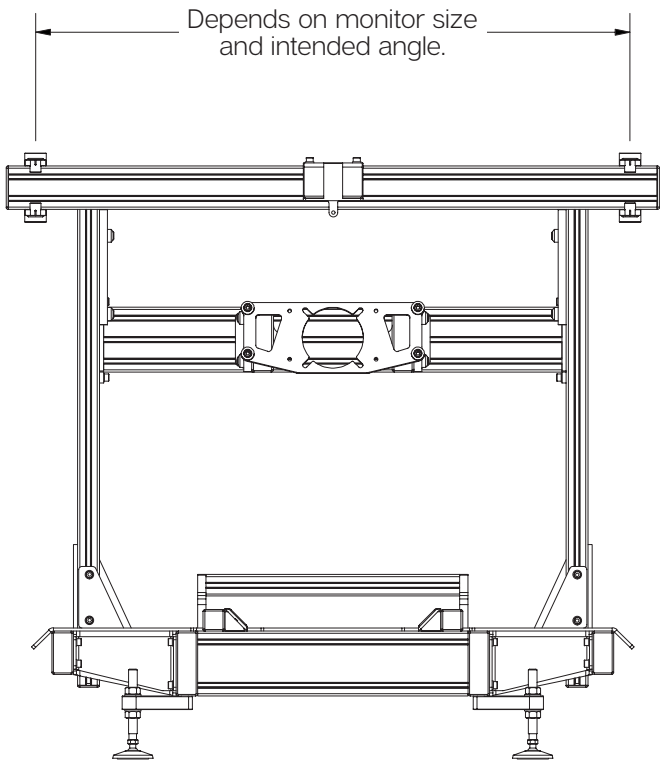
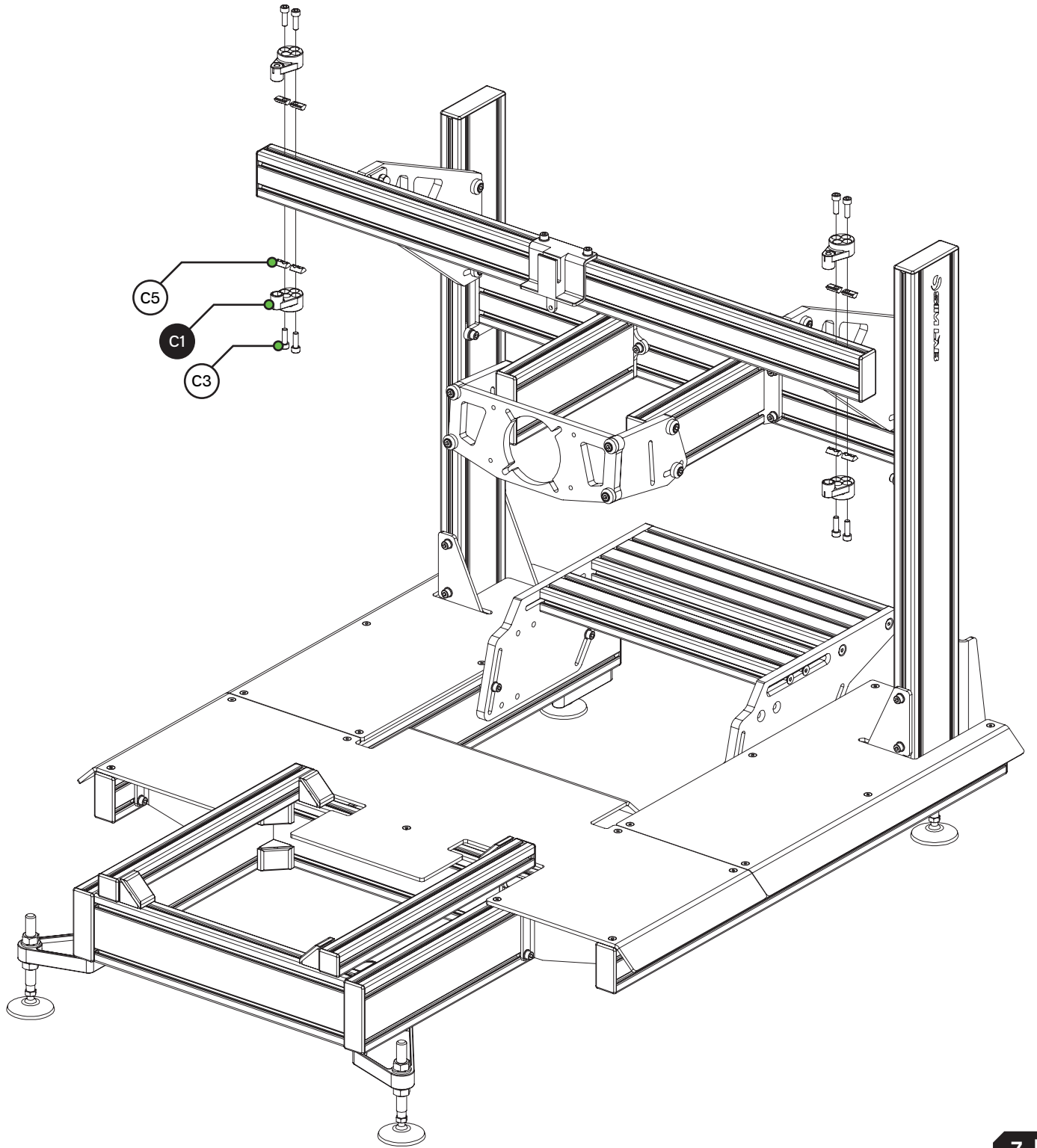
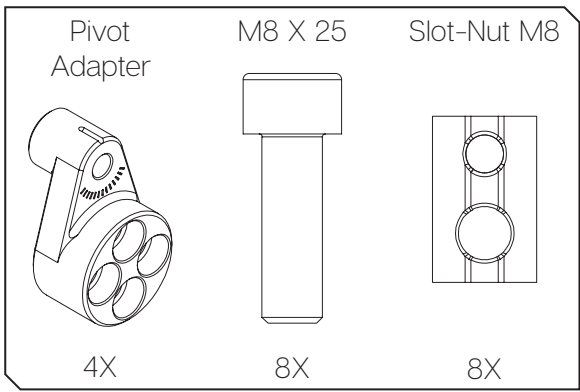
2X

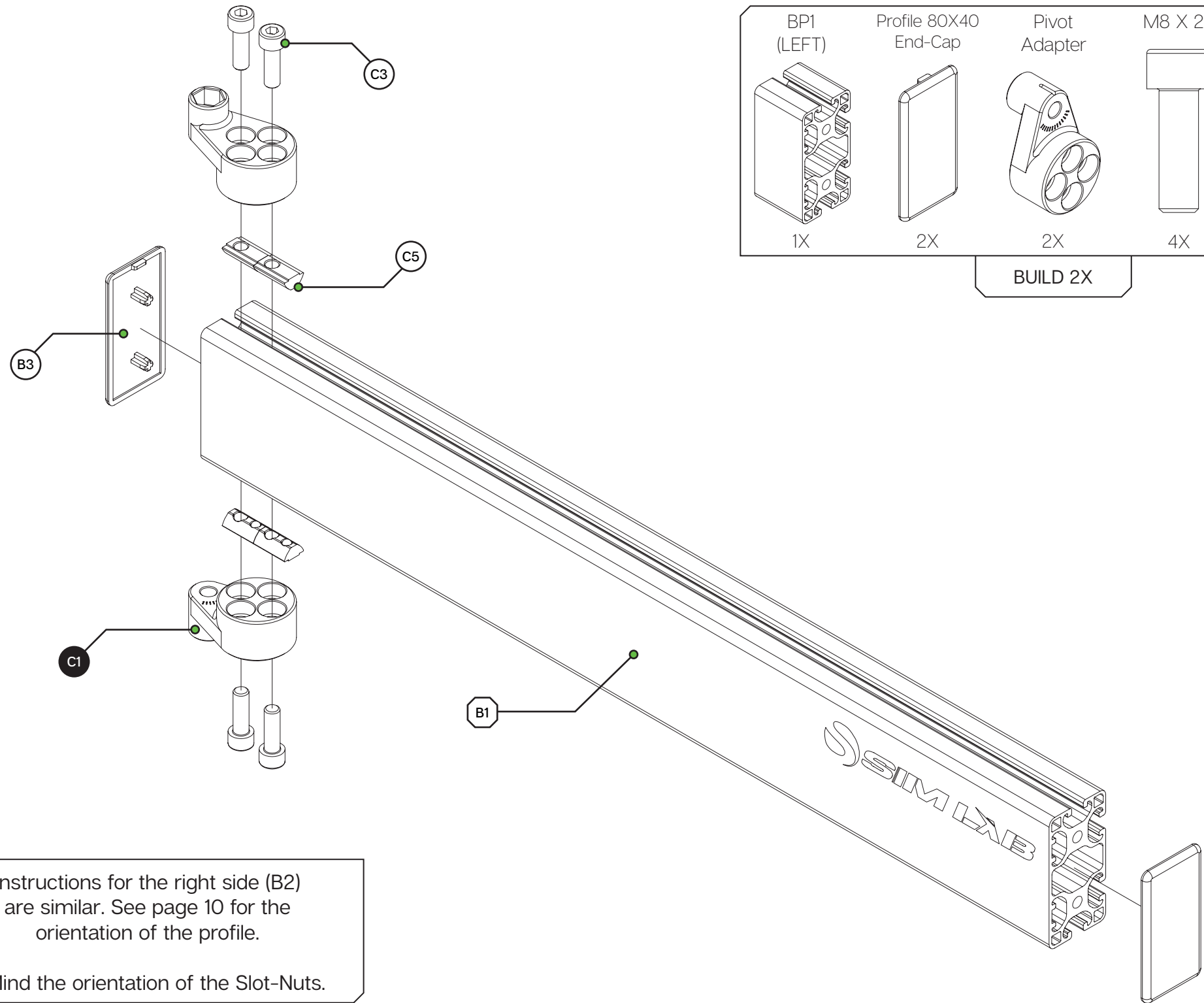
2X

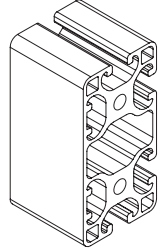
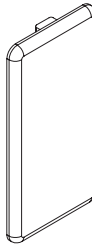
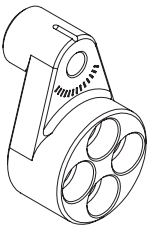
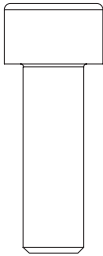
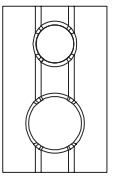
See page 11 to assemble the  
other side of the Vario VESA.



If you purchased the  
'Triple Upgrade', please  
continue on the next page.



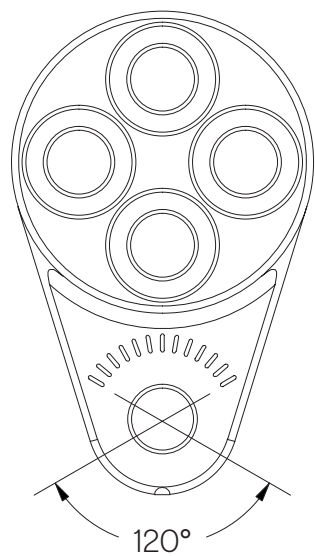
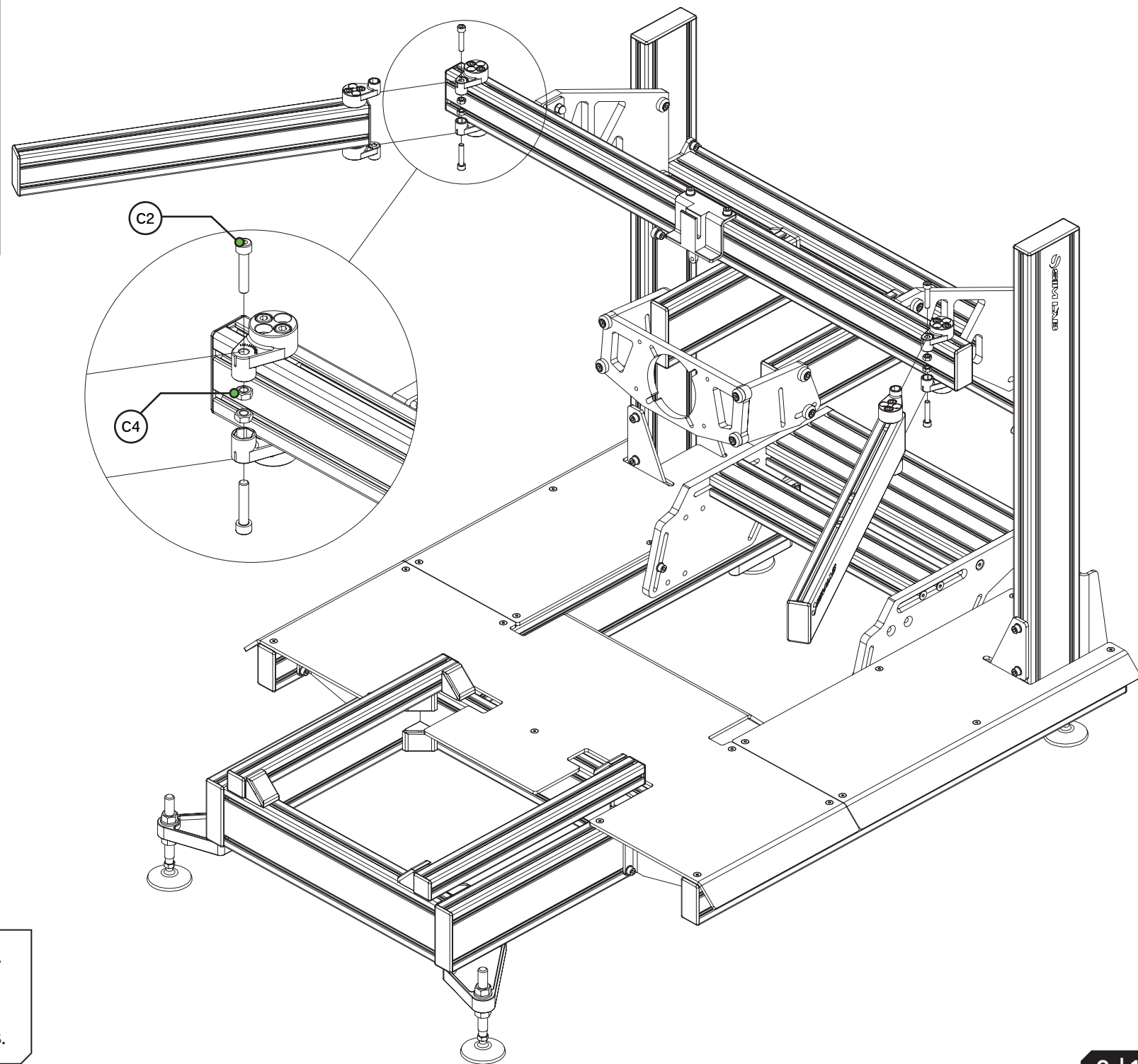
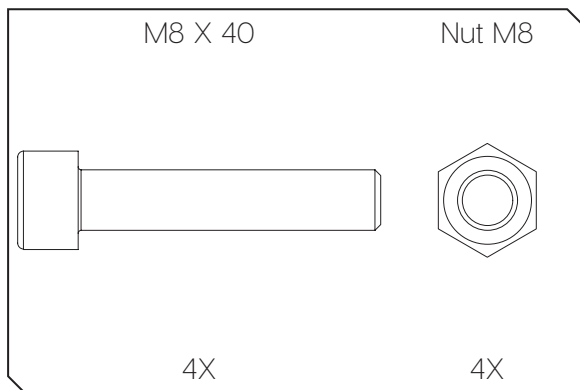


BP1 (LEFT)	Profile 80X40 End-Cap	Pivot Adapter	M8 X 25	Slot-Nut M8
				
1X	2X	2X	4X	4X
<b>BUILD 2X</b>				

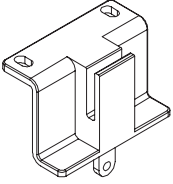
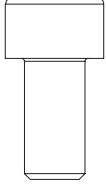
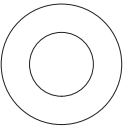
Instructions for the right side (B2) are similar. See page 10 for the orientation of the profile.

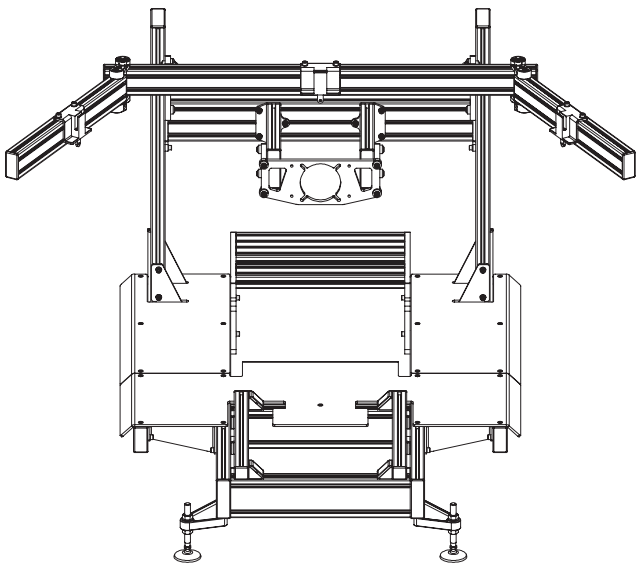
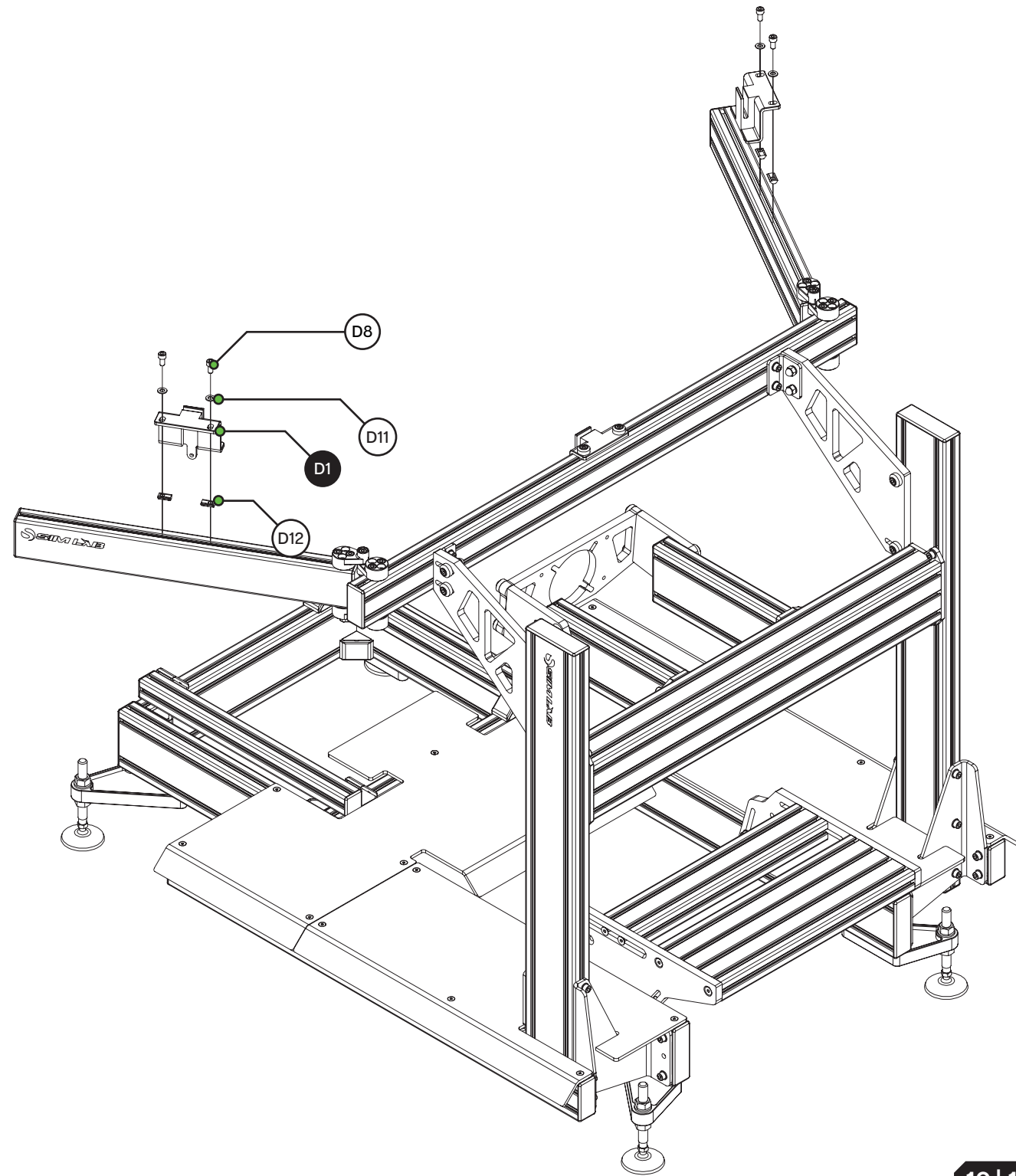
\* Mind the orientation of the Slot-Nuts.

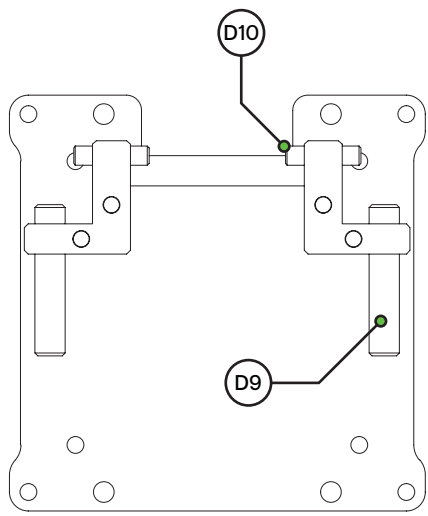
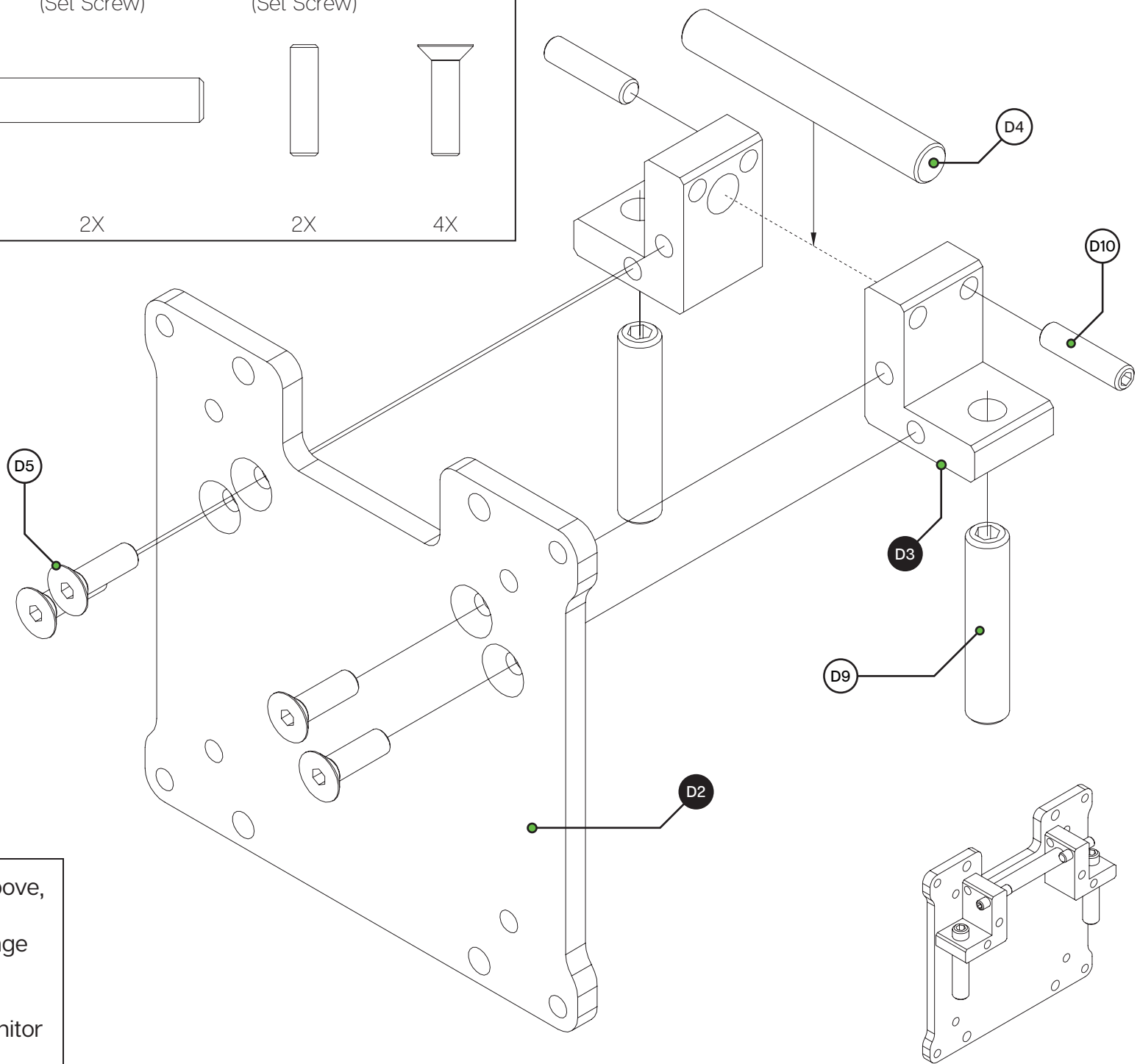
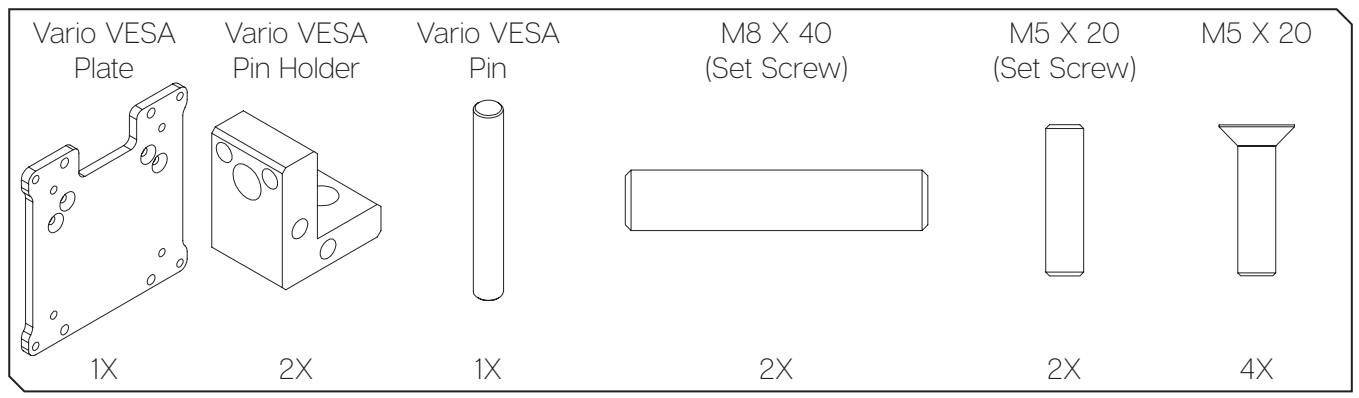




Adjust arm angles to your preference.  
We included markings in the pivots.  
Markings are placed in 10° increments.

Vario VESA Holder	M8 X 16	Washer M8
		
2X	4X	4X





When parts D9 and D10 are installed like above, monitors are easy to install in a neutral position. Parts D9 can be adjusted to change the tilt and/or height.

Parts D10 can be adjusted to adjust the monitor sideways if needed, and fix it in place.

**BOX A - SINGLE MONITOR MOUNT  
PROFILE KIT**

#	Part	QTY	Note
A1	80X40 Length=1195mm	1	
<b>HARDWARE KIT</b>			
A2	Monitor side plate	2	
A3	Integrated monitor corner bracket	2	
A4	Profile 80x40 end-cap	2	
A5	Bolt M8 X 35 DIN 912	4	
A6	Bolt M8 X 30 DIN 912	4	
A7	Bolt M8 X 16 DIN 912	4	
A8	Cap-Washer M8	8	
A9	Washer M8 DIN 988	8	
A10	Washer M8 DIN 125-A	8	
A11	Lock-Nut M8	4	
A12	Slot-Nut M8	8	
A13	Nut Cap M8	4	

**BOX B - TRIPLE MONITOR MOUNT  
PROFILE KIT**

#	Part	QTY	Note
B1	80X40 3N Length=580mm	1	Left arm, engraved.
B2	80X40 3N Length=580mm	1	Right arm, engraved.
<b>HARDWARE KIT</b>			
B3	Profile 80x40 end-cap	4	

**BOX C - Xero-Play triple pivot set  
HARDWARE KIT**

#	Part	QTY	Note
C1	Xero-Play triple pivot adapter	8	
C2	Bolt M8 X 40 DIN 912	4	
C3	Bolt M8 X 25 DIN 912	16	
C4	Nut M8	4	
C5	Slot-Nut M8	16	

**BOX D - Vario VESA adapter set (x1 or x3 depending on purchase)  
HARDWARE KIT**

#	Part	QTY	Note
D1	Vario VESA holder	1	
D2	Vario VESA plate	1	
D3	Vario VESA pin holder	2	
D4	Vario VESA pin	1	
D5	Bolt M5 X 20 DIN 7991	4	
D6	Screw M4 X 16 DIN 7985	4	Philips head.
D7	Screw M4 X 10 DIN 7985	4	Philips head.
D8	Bolt M8 X 16 DIN 912	2	
D9	Set screw M8 X 40 DIN 916	3	
D10	Set screw M5 X 20 DIN 916	2	
D11	Washer M8 DIN 125-A	2	
D12	Slot-Nut M8	2	
D13	Standoff M4 x 10	4	

*Disclaimer: for some entries on this page, we supply more than required as spare materials. Don't worry if you have some leftovers, this is intentional.*

If you still have some questions regarding assembly of this product or about the manual itself, please refer to our support department. They can be reached at

support@sim-lab.eu

Alternatively, we now have a Discord server where there are quite some experienced Sim-Lab customers hanging out. They might just help you along if you ask them nicely ;)

[www.sim-lab.eu/discord](http://www.sim-lab.eu/discord)

If you feel like printing this manual, please consider the environment before doing so. For the best results, make sure you print at 100% scale without borders.

[Product page on the Sim-Lab website:](#)

