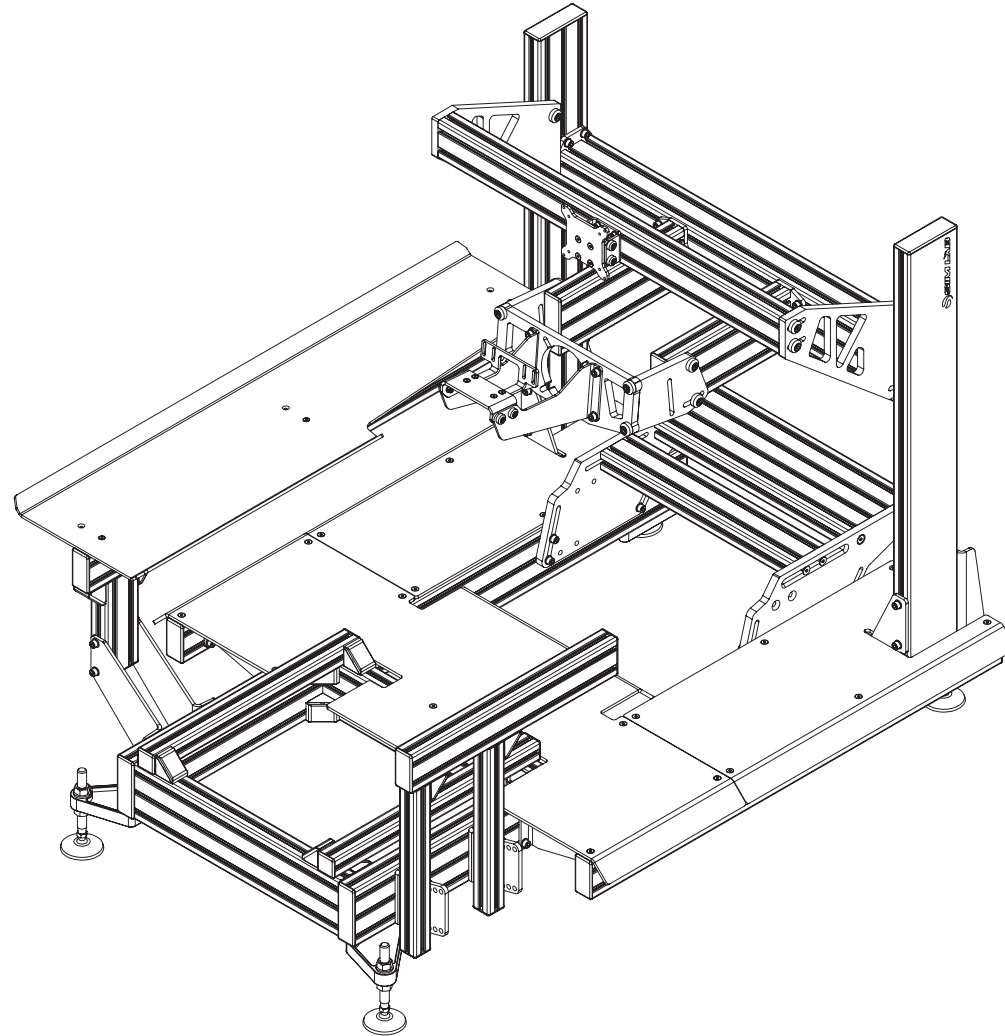


SIM LAB

INSTRUCTION MANUAL



X1-PRO COCKPIT

VERSION 1.2

Last updated: 21-06-2023

BEFORE YOU START:

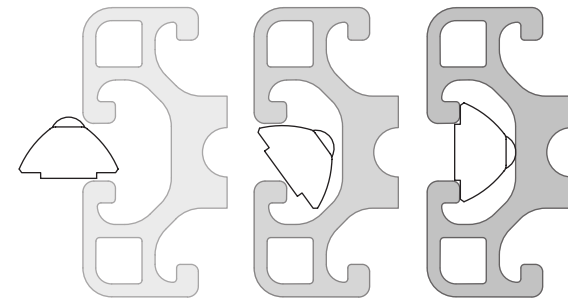
Thank you for purchasing this Sim-Lab product! On the following pages, you will find detailed instructions on assembly. This requires only a set of simple tools and some of your time. Please check the bill of materials before starting (pages 45-47) and make sure all the parts are delivered.

Since this is our most feature rich cockpit so far, for some parts of assembly we urge you to get some assistance Especially when turning over the base and fitting the uprights, an extra pair of hands really does come in handy.

For current P1-X users who purchased an X1 upgrade kit, please skip to Page 13. Remove the P1-X uprights and possibly the side mount, and you can follow along with this manual.


Inserting Slot-Nuts:

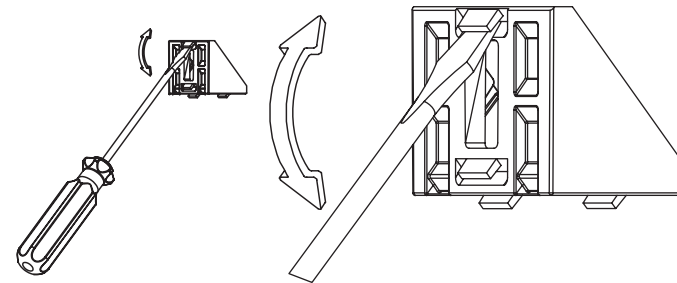
You got excited, finished the build, put the caps on, but forgot to install one element. Do not worry. It happens to everyone. In this diagram, you can see how to insert a Slot-Nut directly into the slot from the side. You can also use one of your smaller Hex wrenches to help wiggle the Slot-Nut in place.



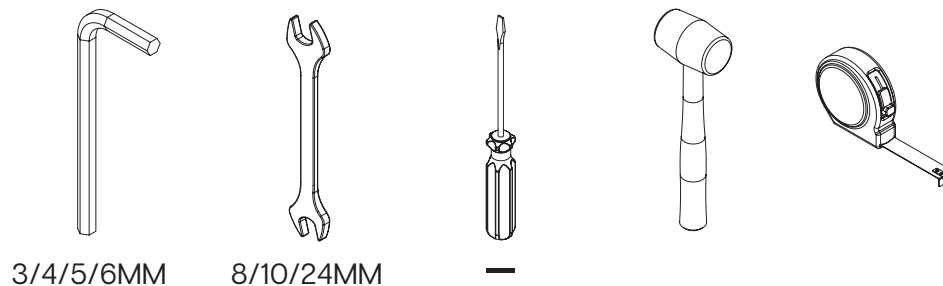
Breaking tabs:

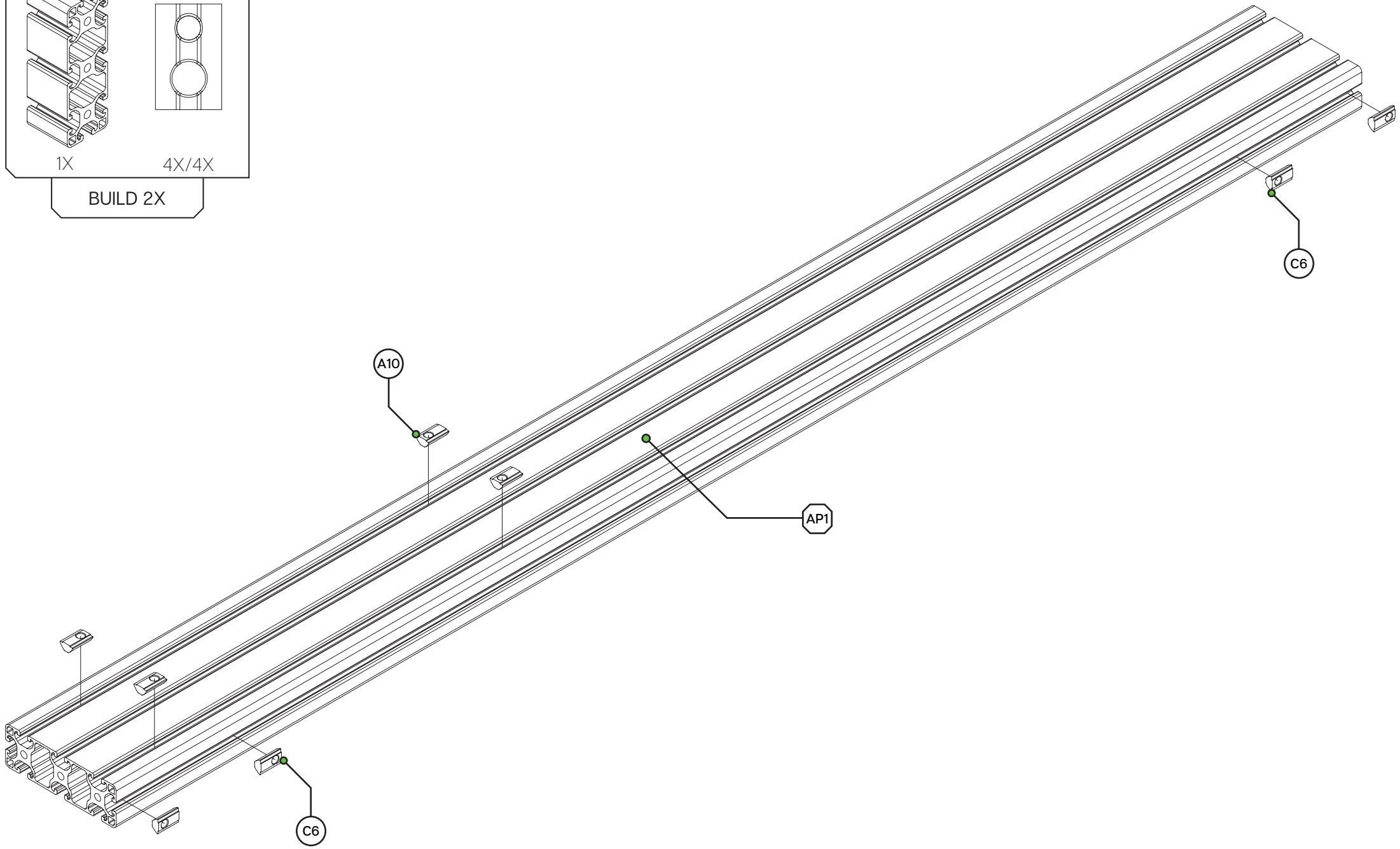
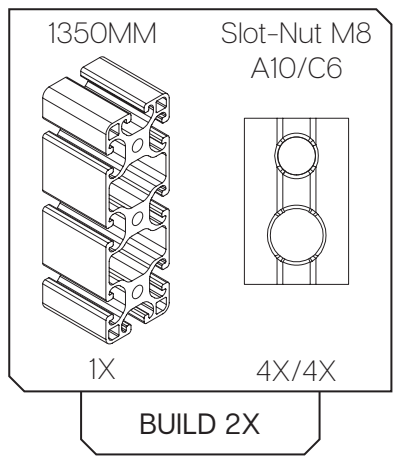
Sometimes tabs from corner brackets need to be broken off in order to fit as instructed. Place a flathead screwdriver behind the tab and tilt upwards.

Always make sure to point away from you while doing so. To know when to do this, we will show the following symbol  next to the brackets.



Tools needed:

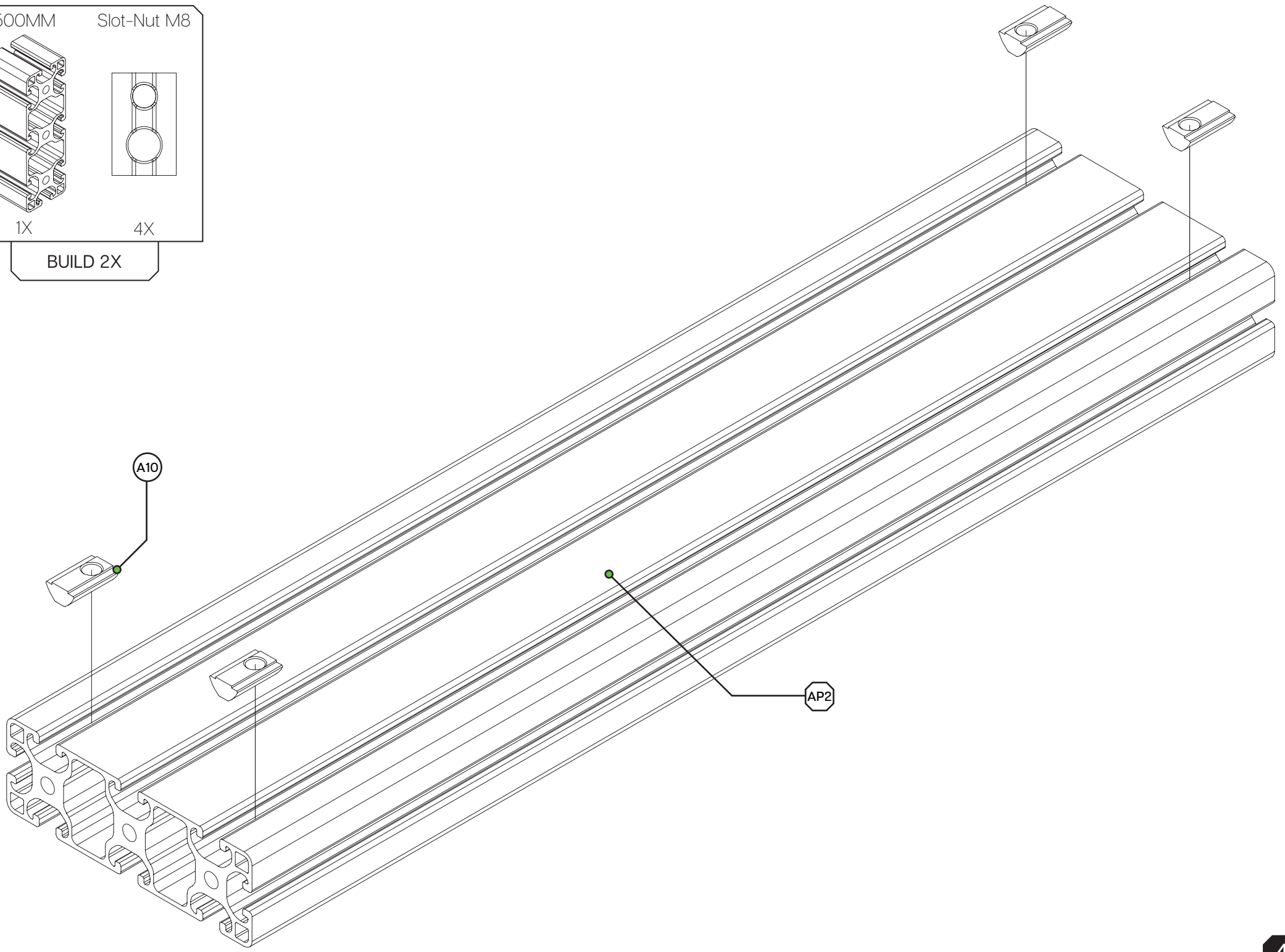




500MM Slot-Nut M8

1X 4X

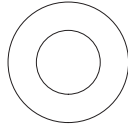
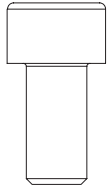
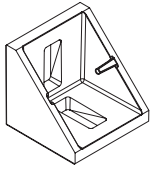
BUILD 2X



Corner
Bracket

M8 X 16

Washer M8

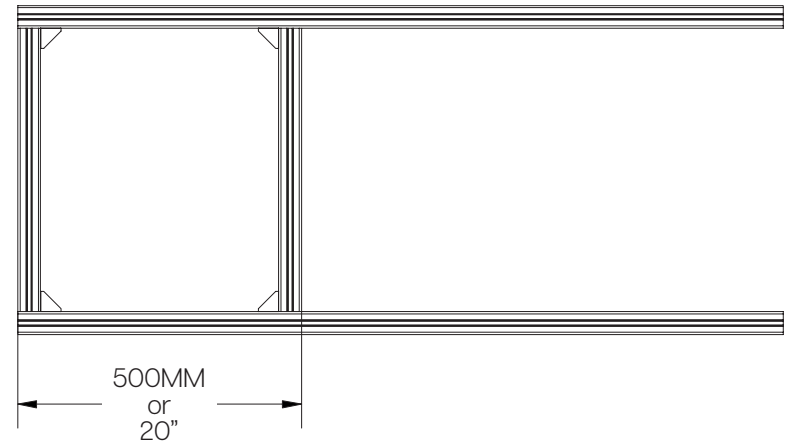
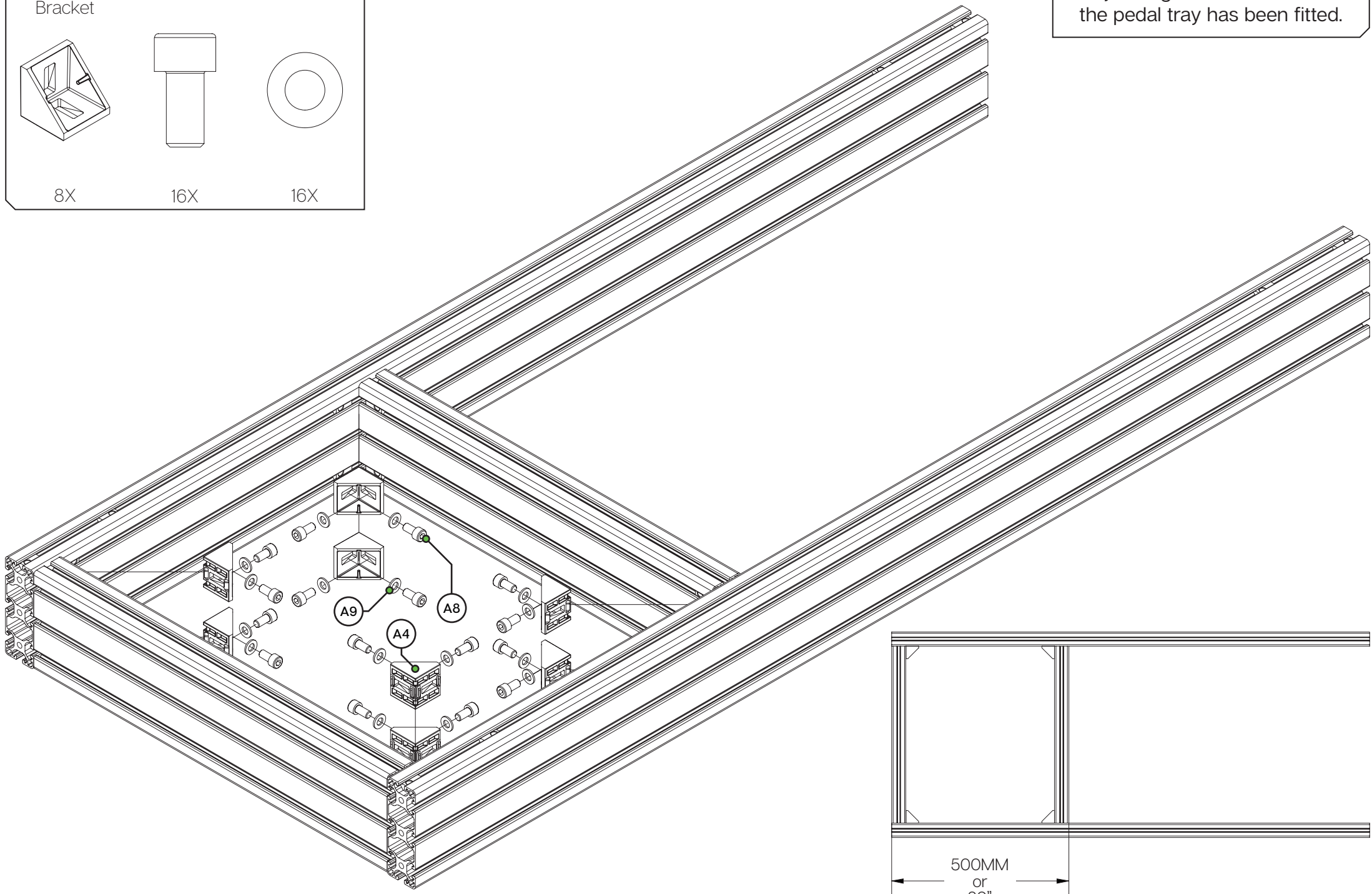


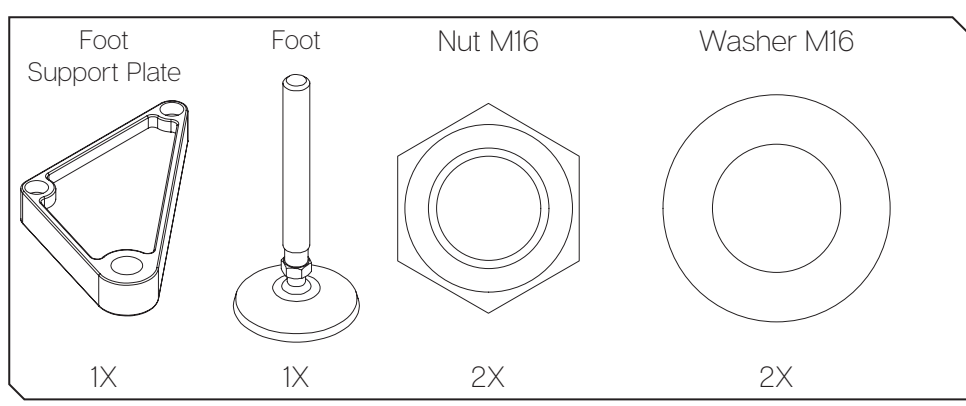
8X

16X

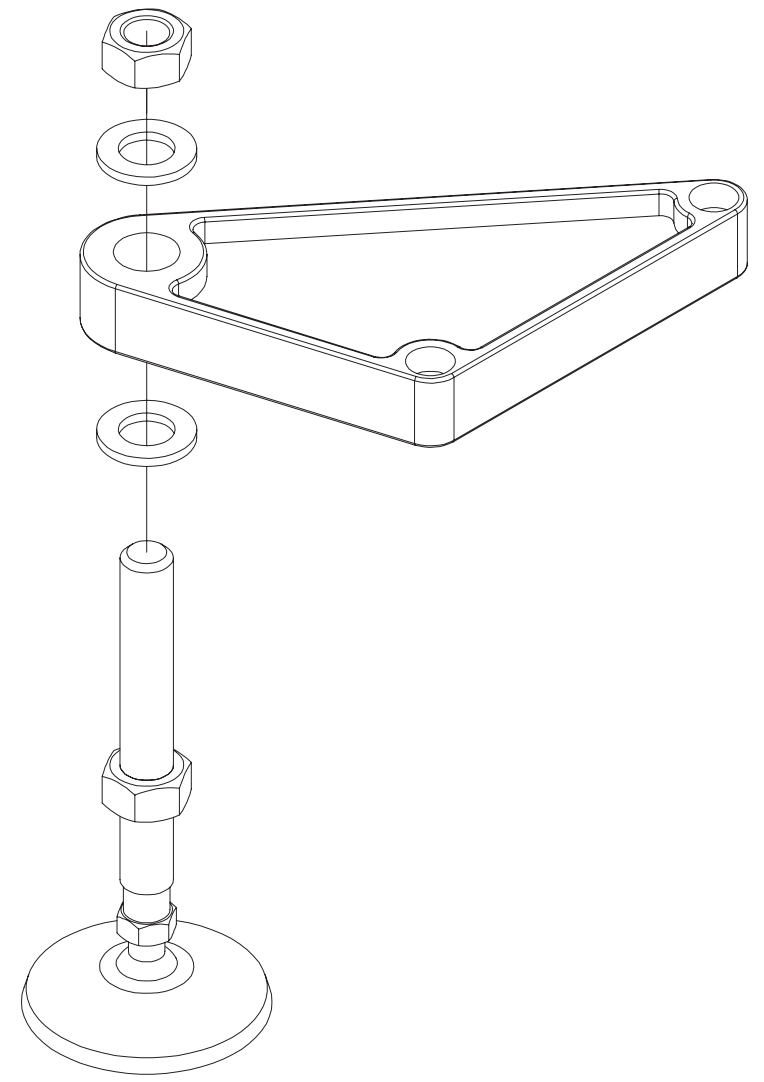
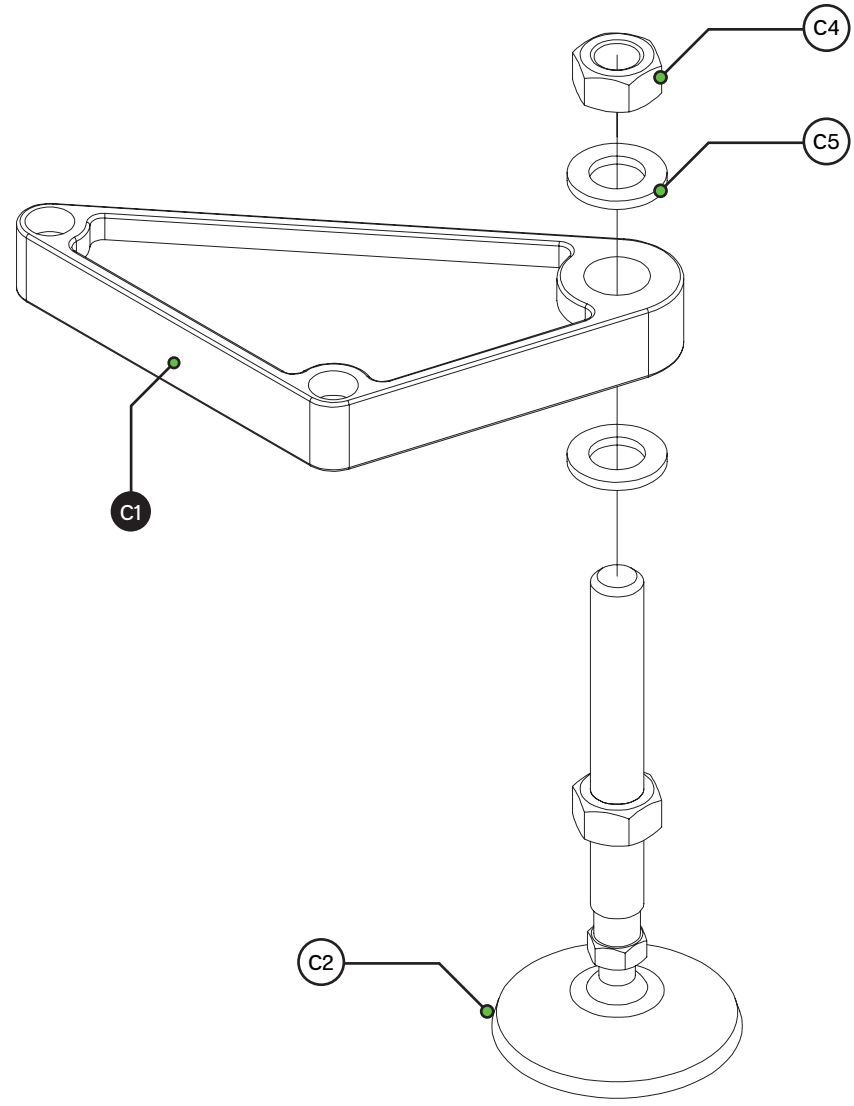
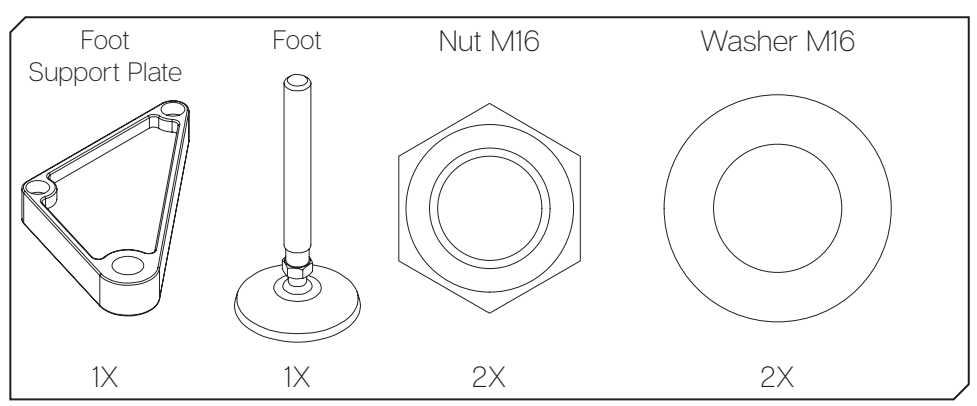
16X

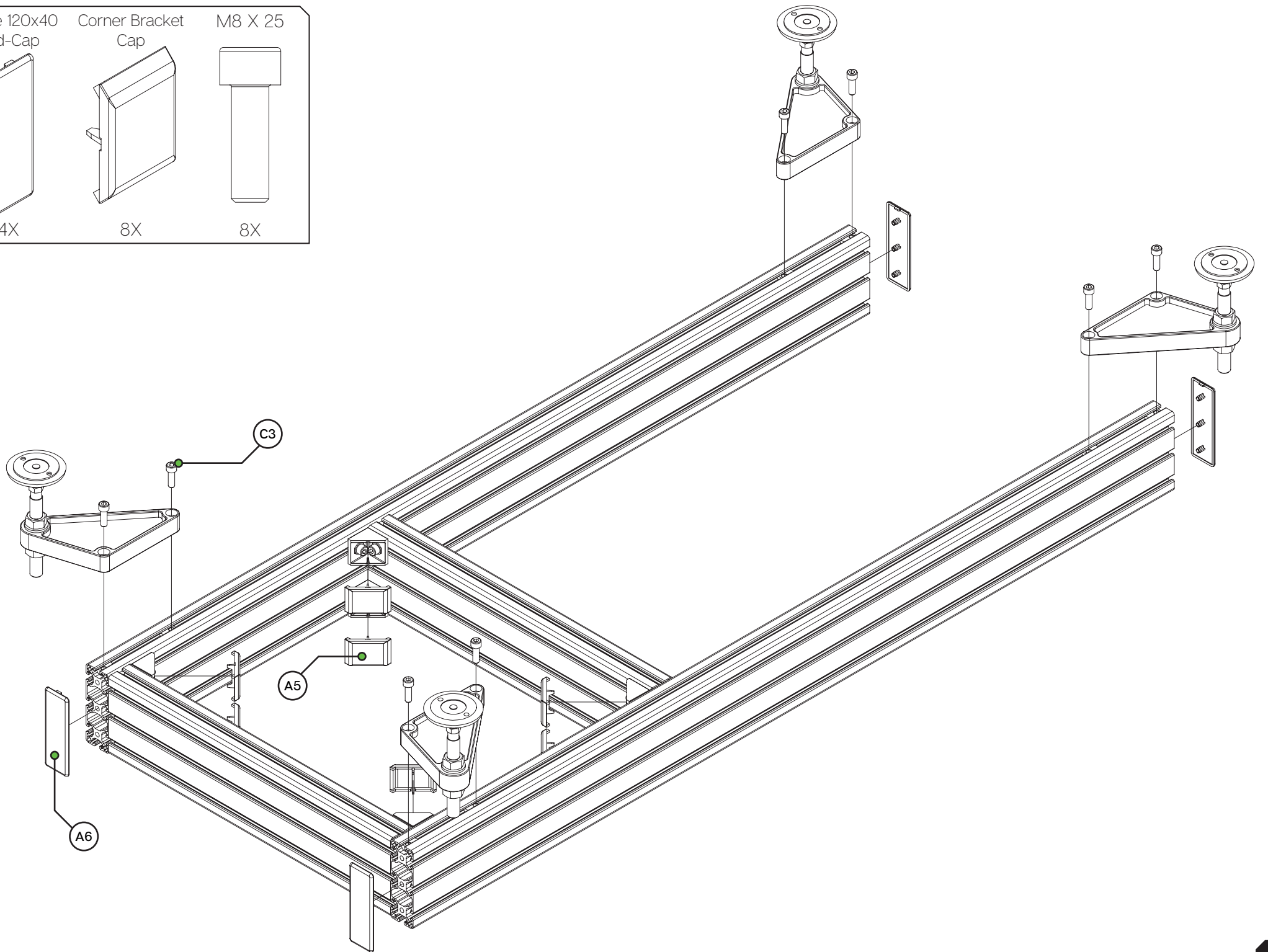
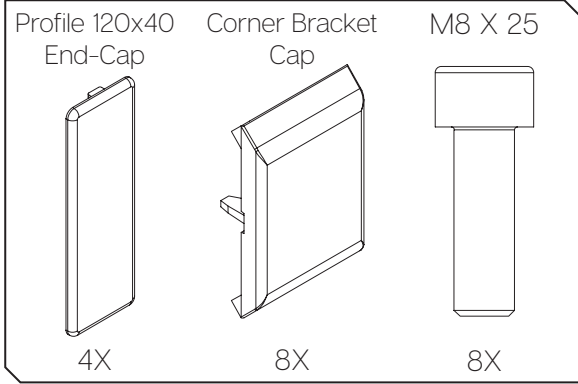
Only full tighten bolts until after
the pedal tray has been fitted.

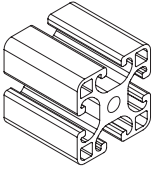
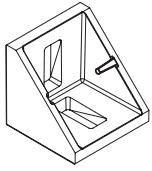
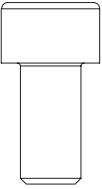
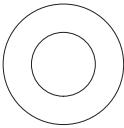
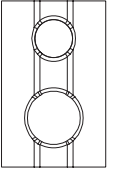


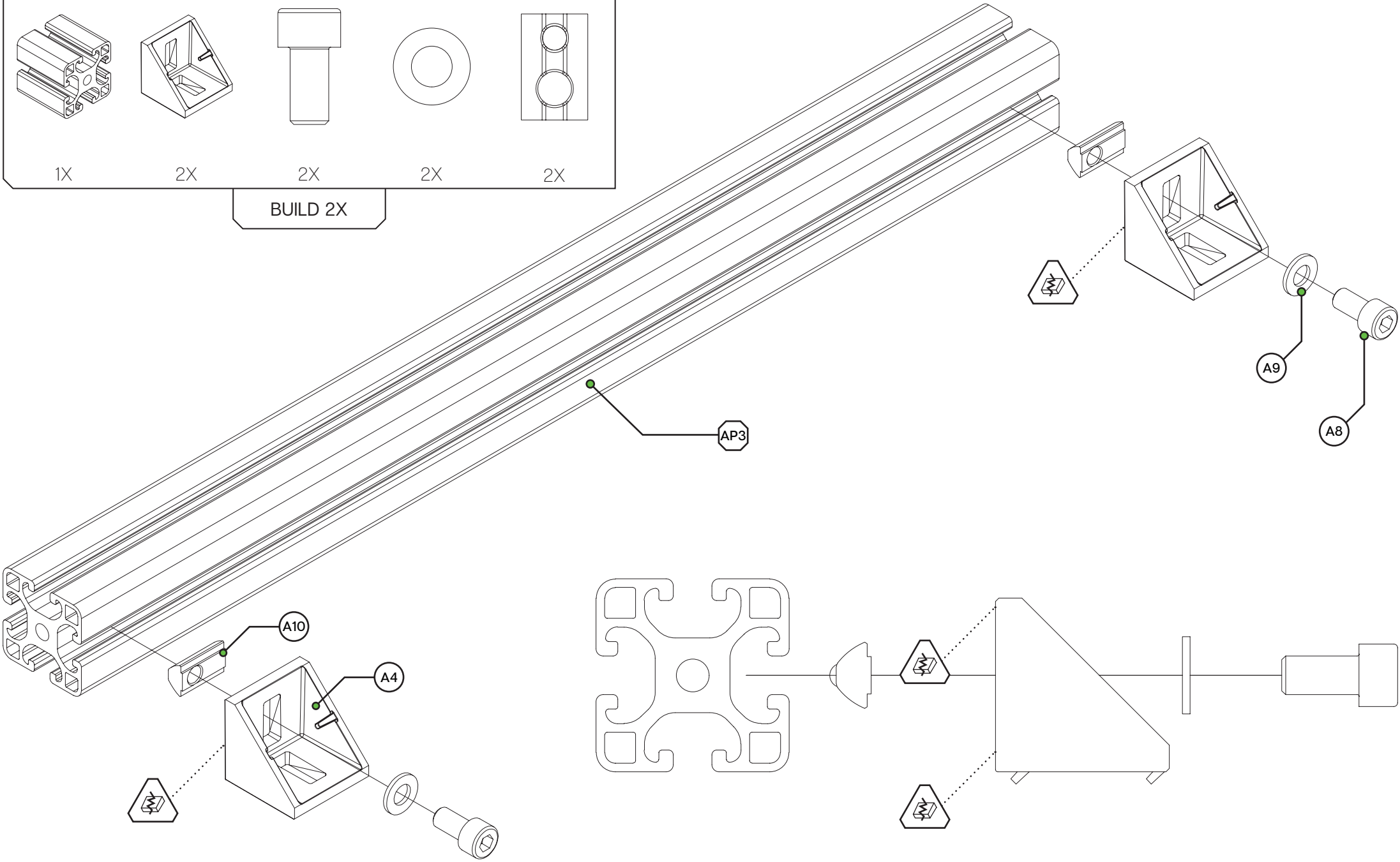


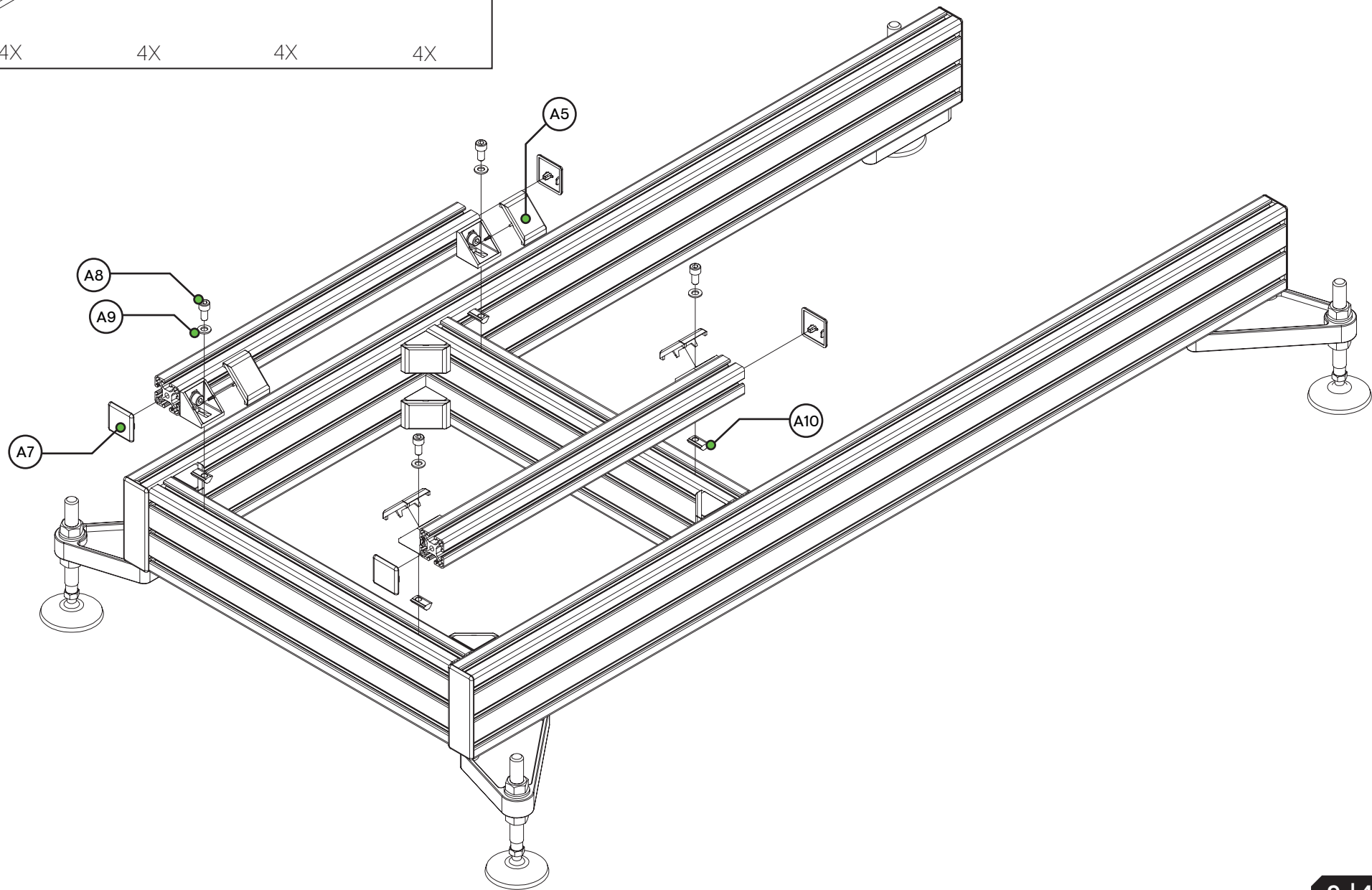
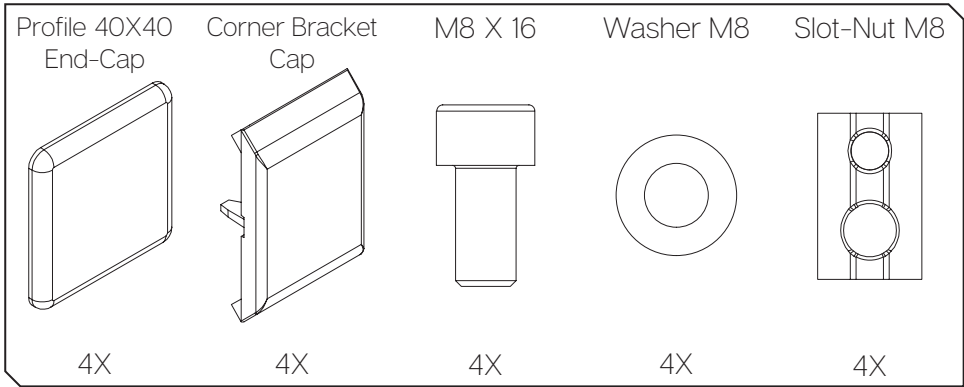
BUILD BOTH VERSIONS 2X

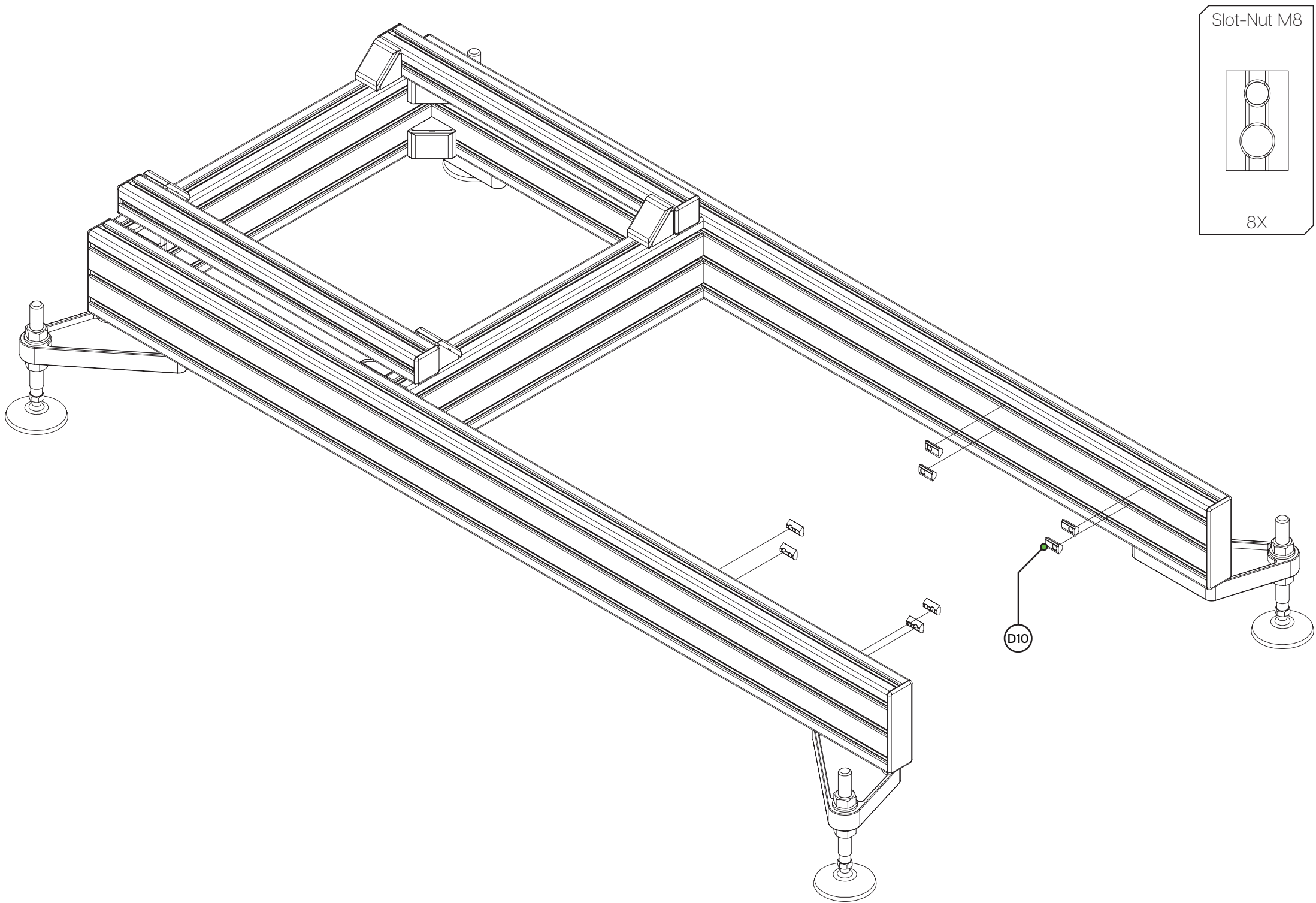




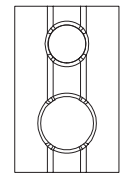
500MM	Corner Bracket*	M8 X 16	Washer M8	Slot-Nut M8
				
1X	2X	2X	2X	2X
BUILD 2X				



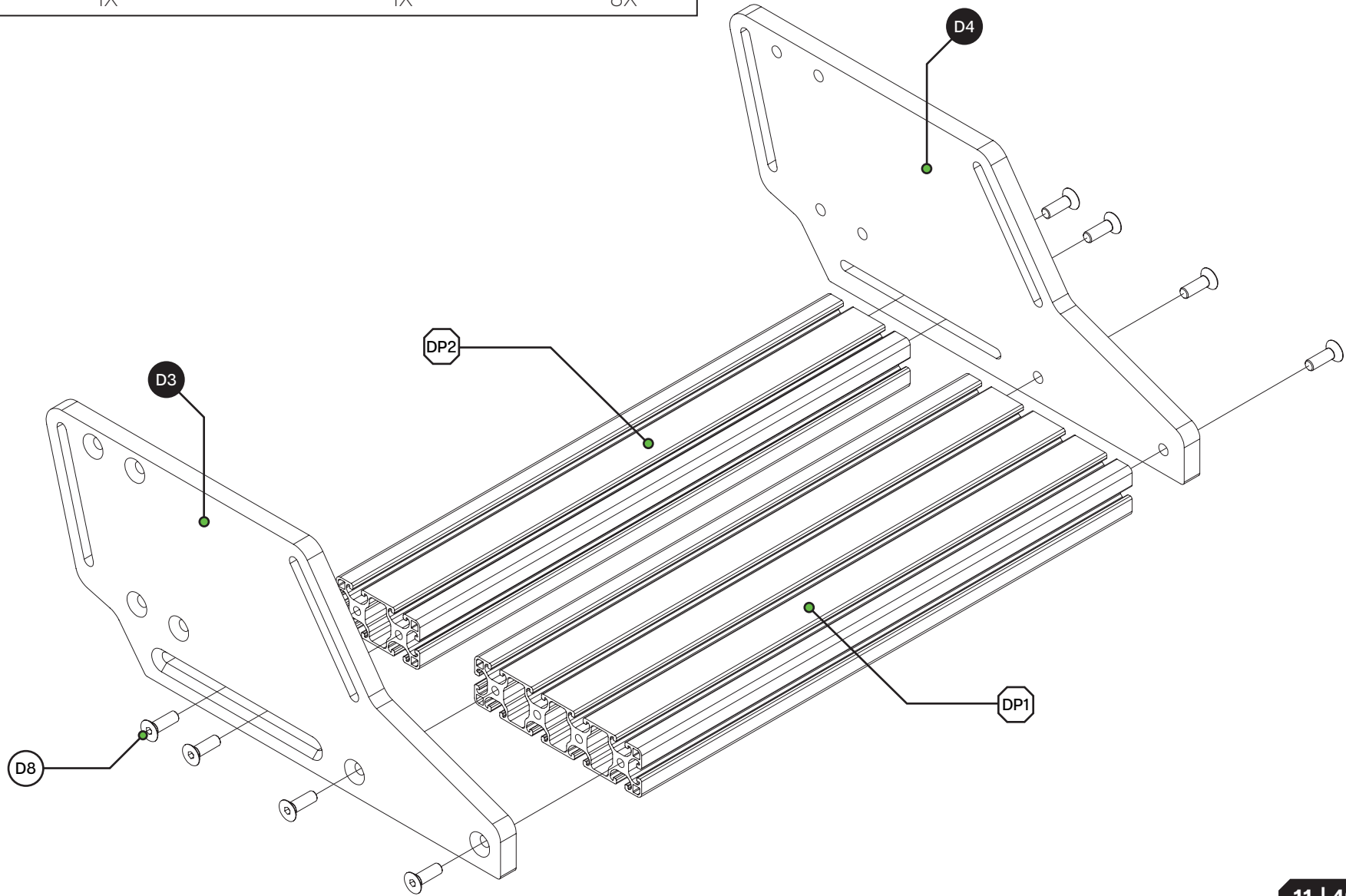
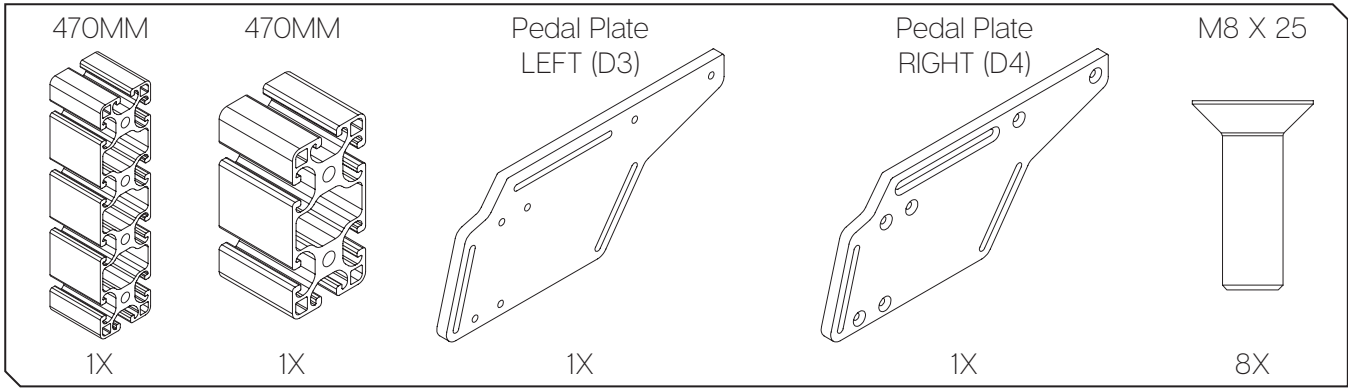




Slot-Nut M8

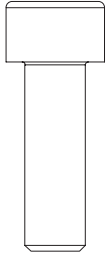


8X

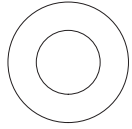


M8 X 25

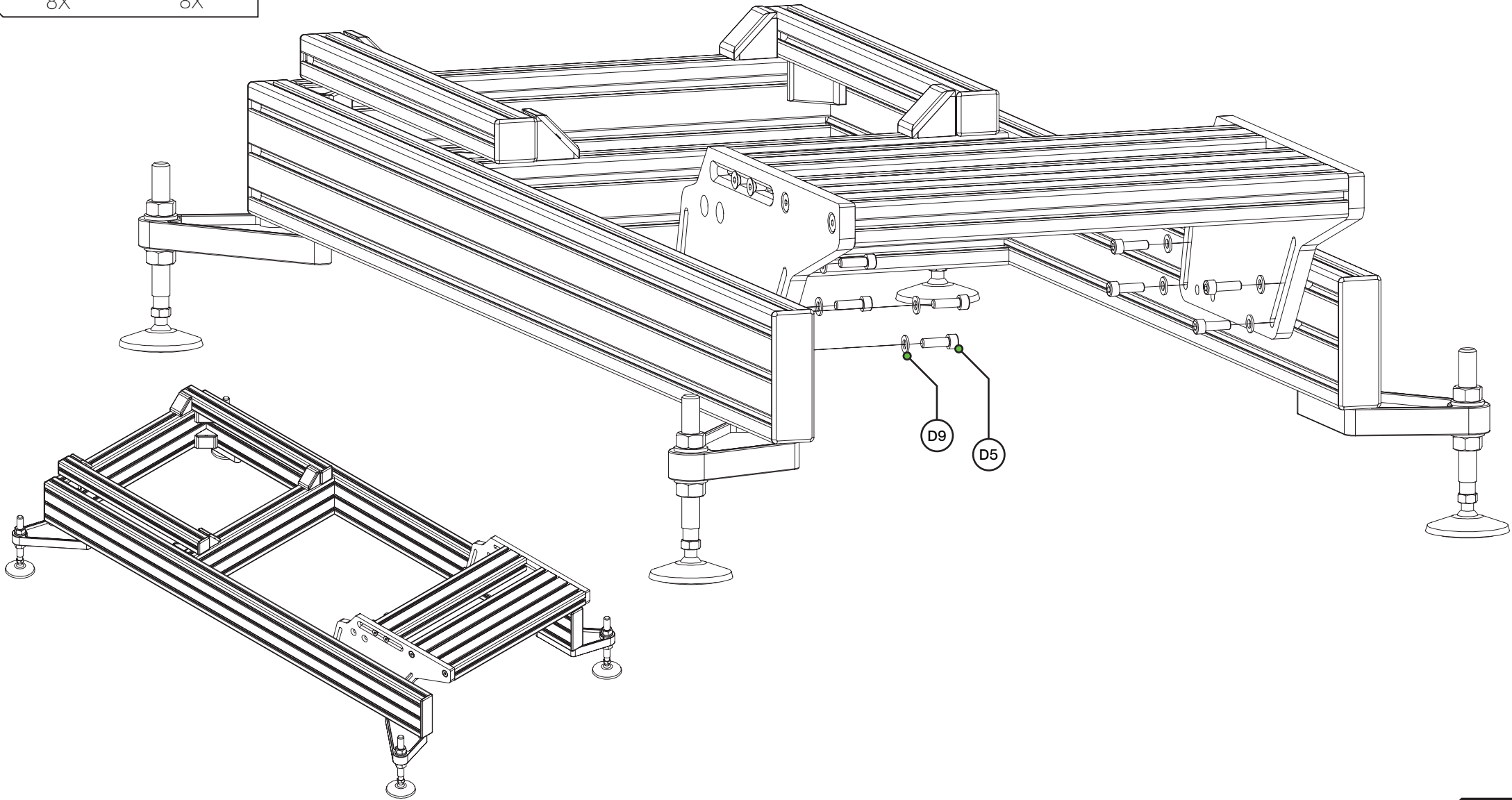
Washer M8

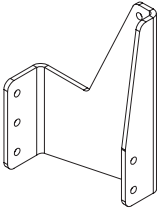
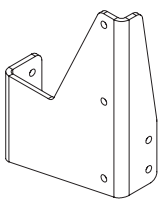
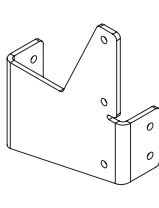
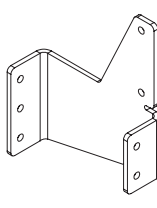
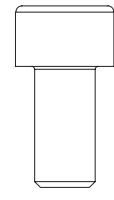
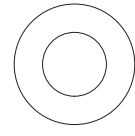
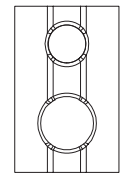


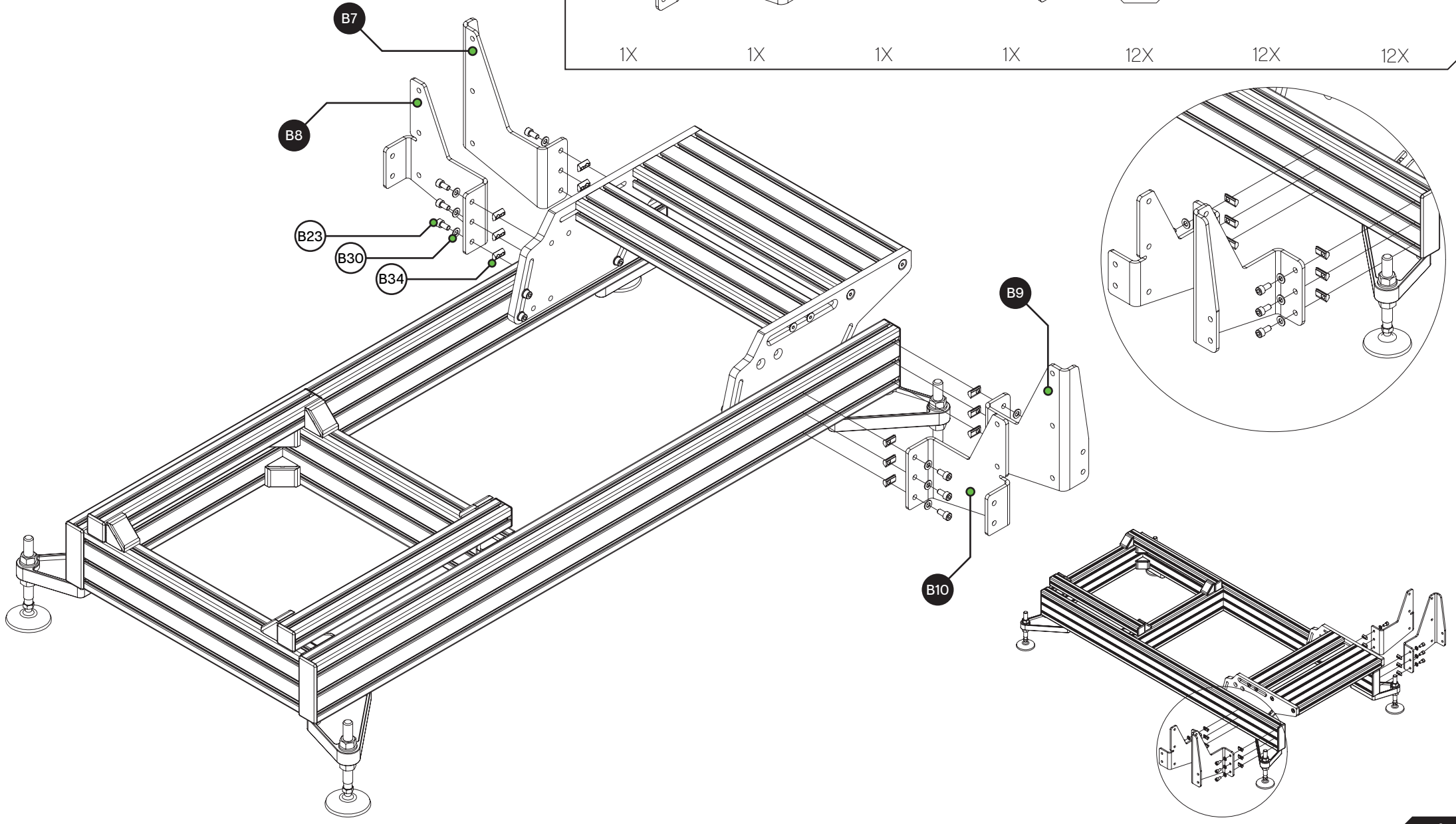
8X

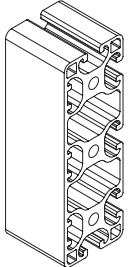
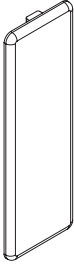
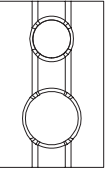


8X

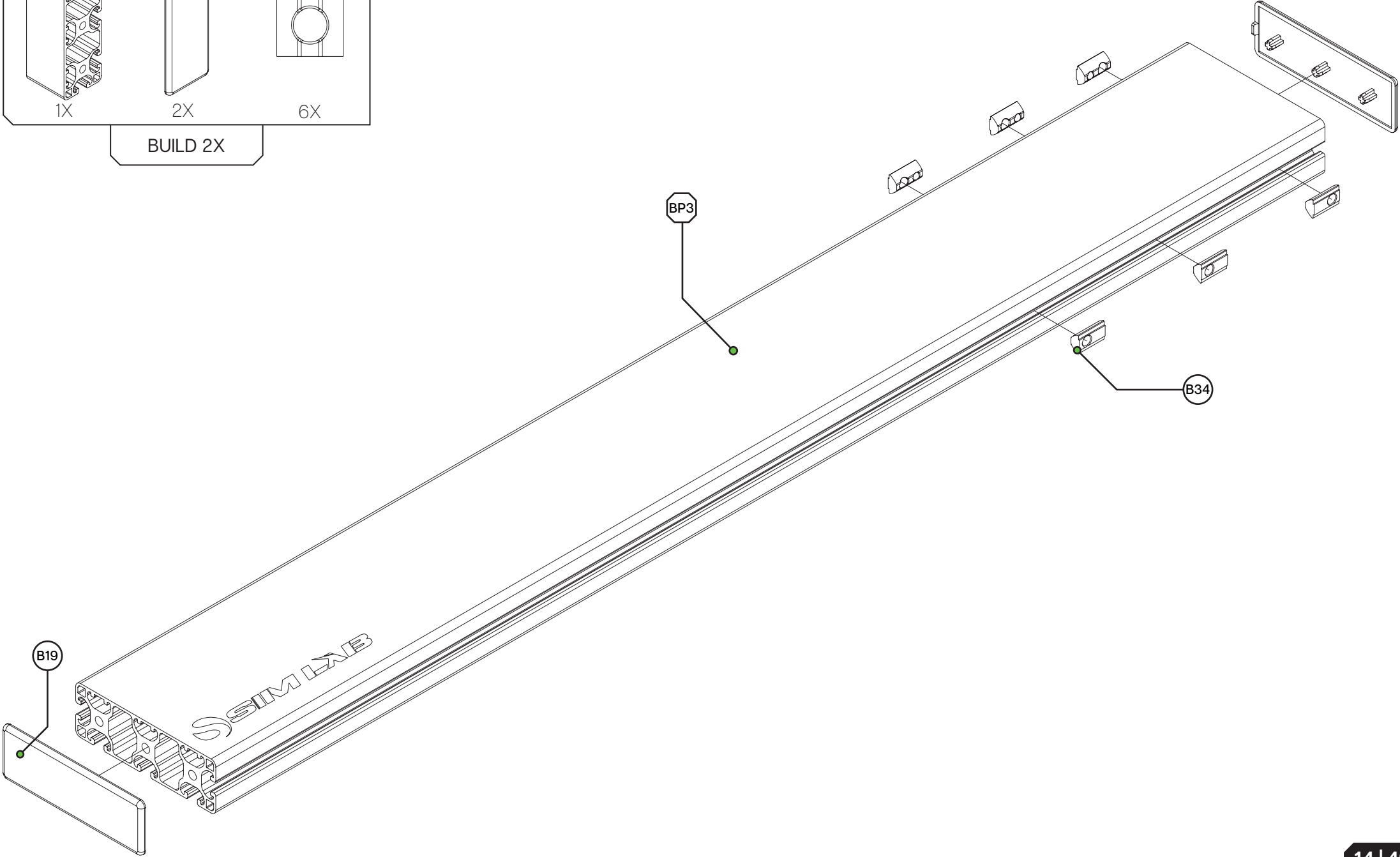


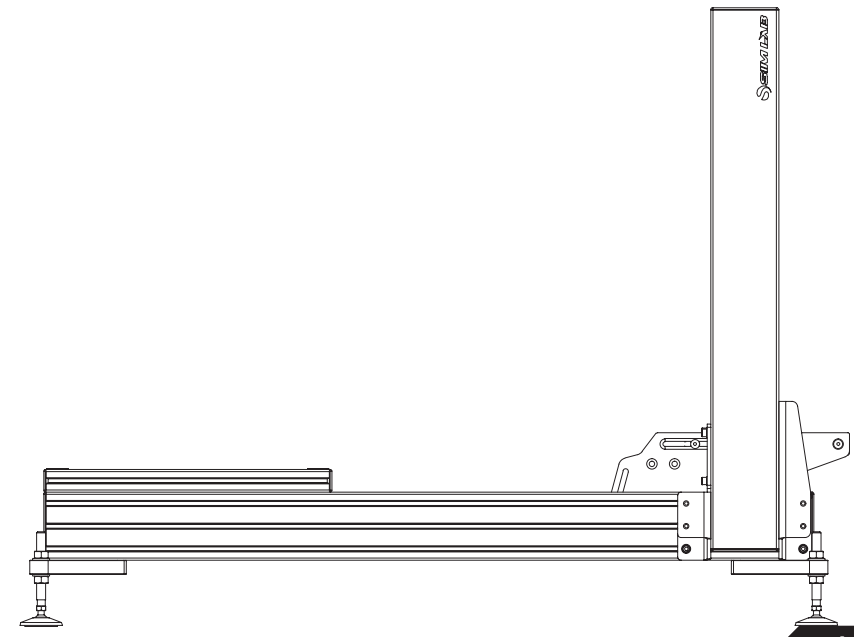
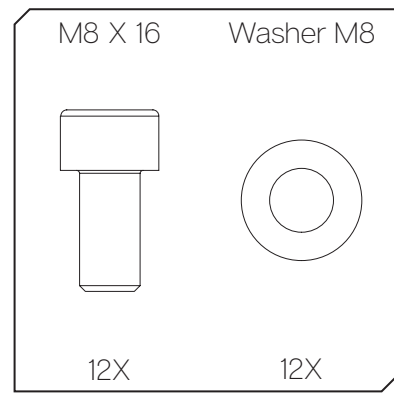
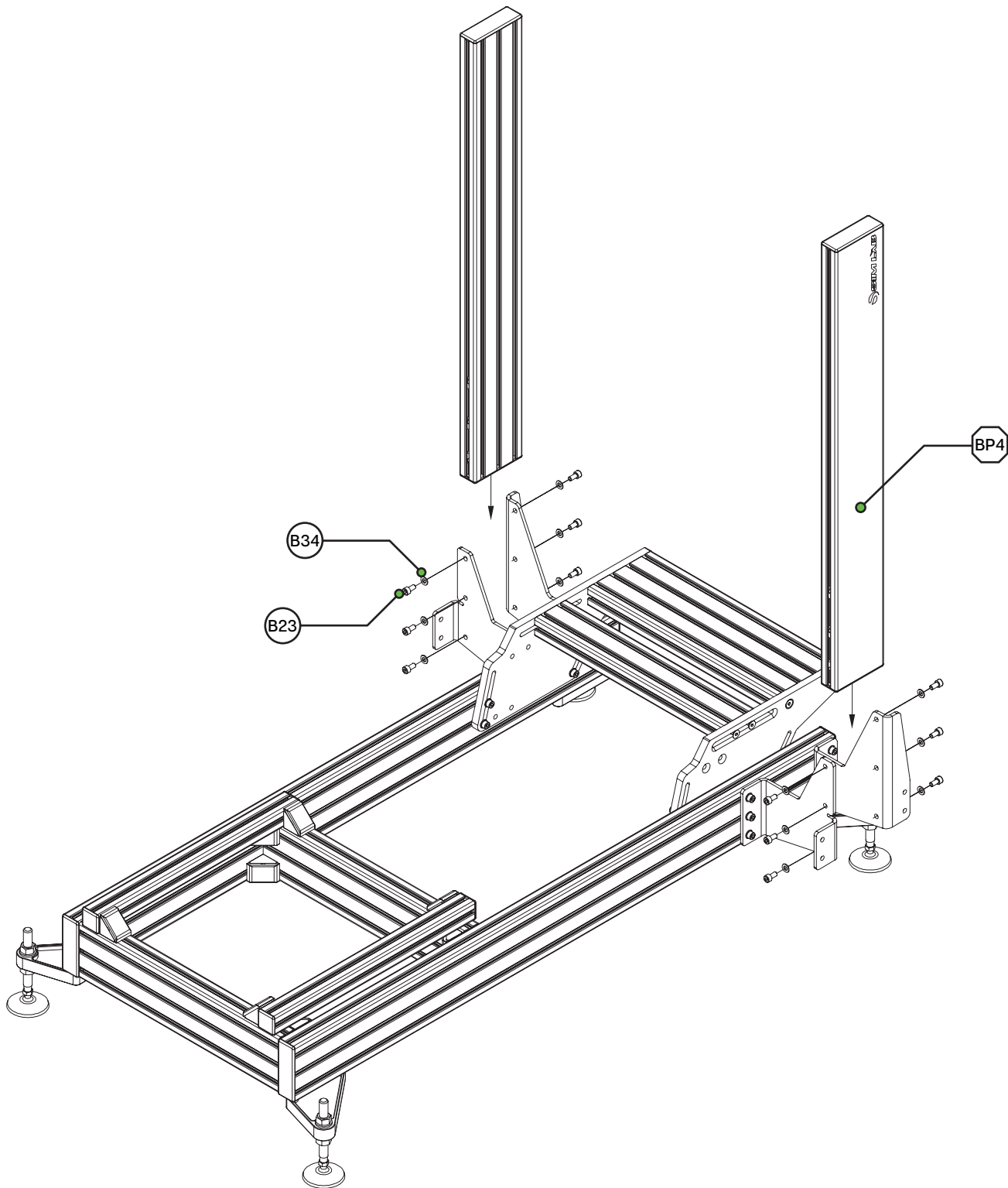
Upright Bracket LF	Upright Bracket RF	Upright Bracket LR	Upright Bracket RR	M8 X 16	Washer M8	Slot-Nut M8
						
1X	1X	1X	1X	12X	12X	12X

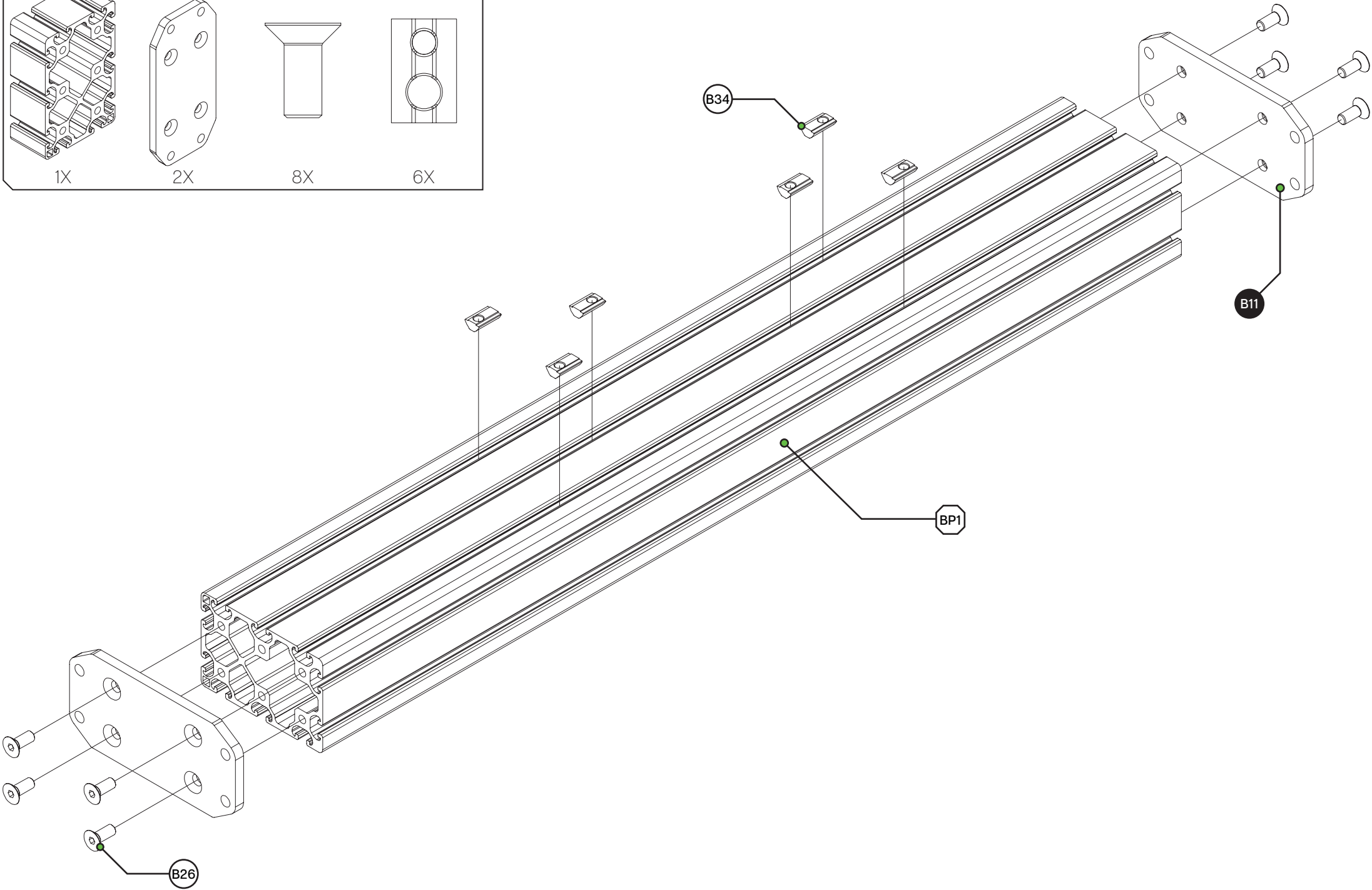
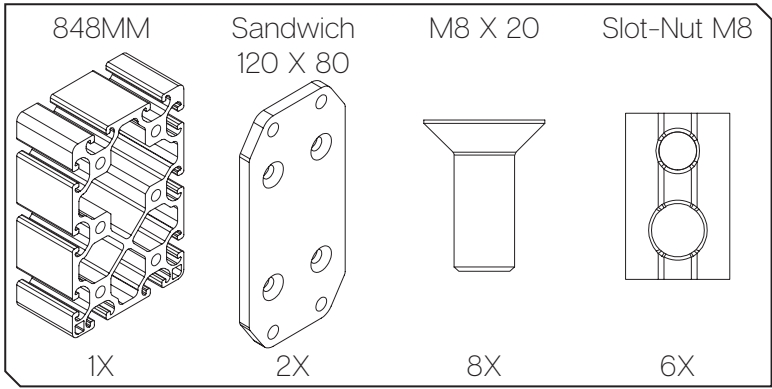


Upright LEFT (BP3)	Profile 120x40 End-Cap	Slot-Nut M8
		
1X	2X	6X
BUILD 2X		

The right upright (BP4) is assembled similarly. For the orientation, please see Page 15.



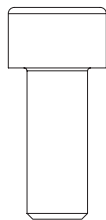




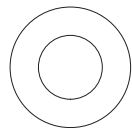
M8 X 20

Washer M8

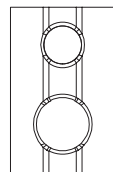
Slot-Nut M8



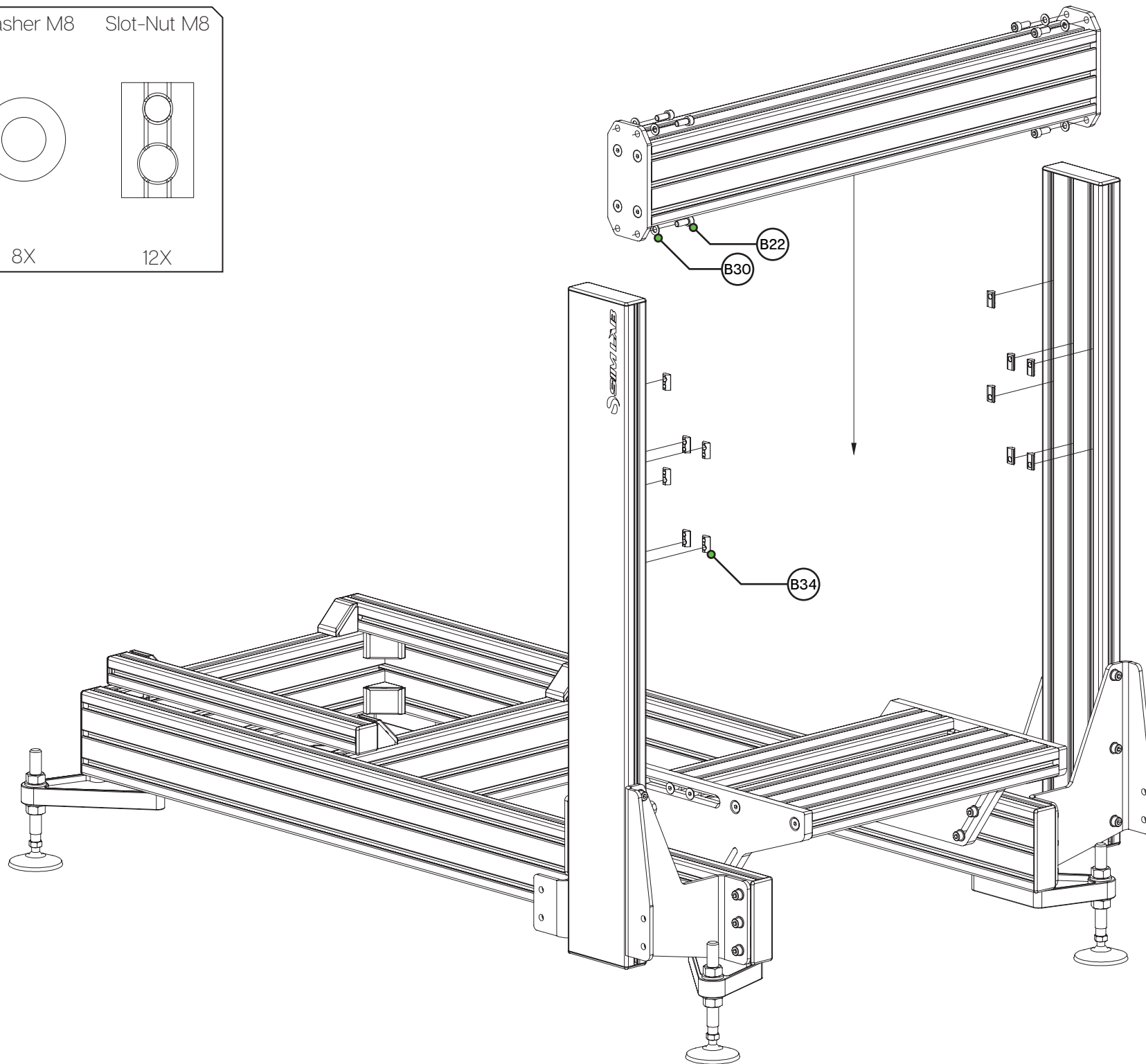
8X

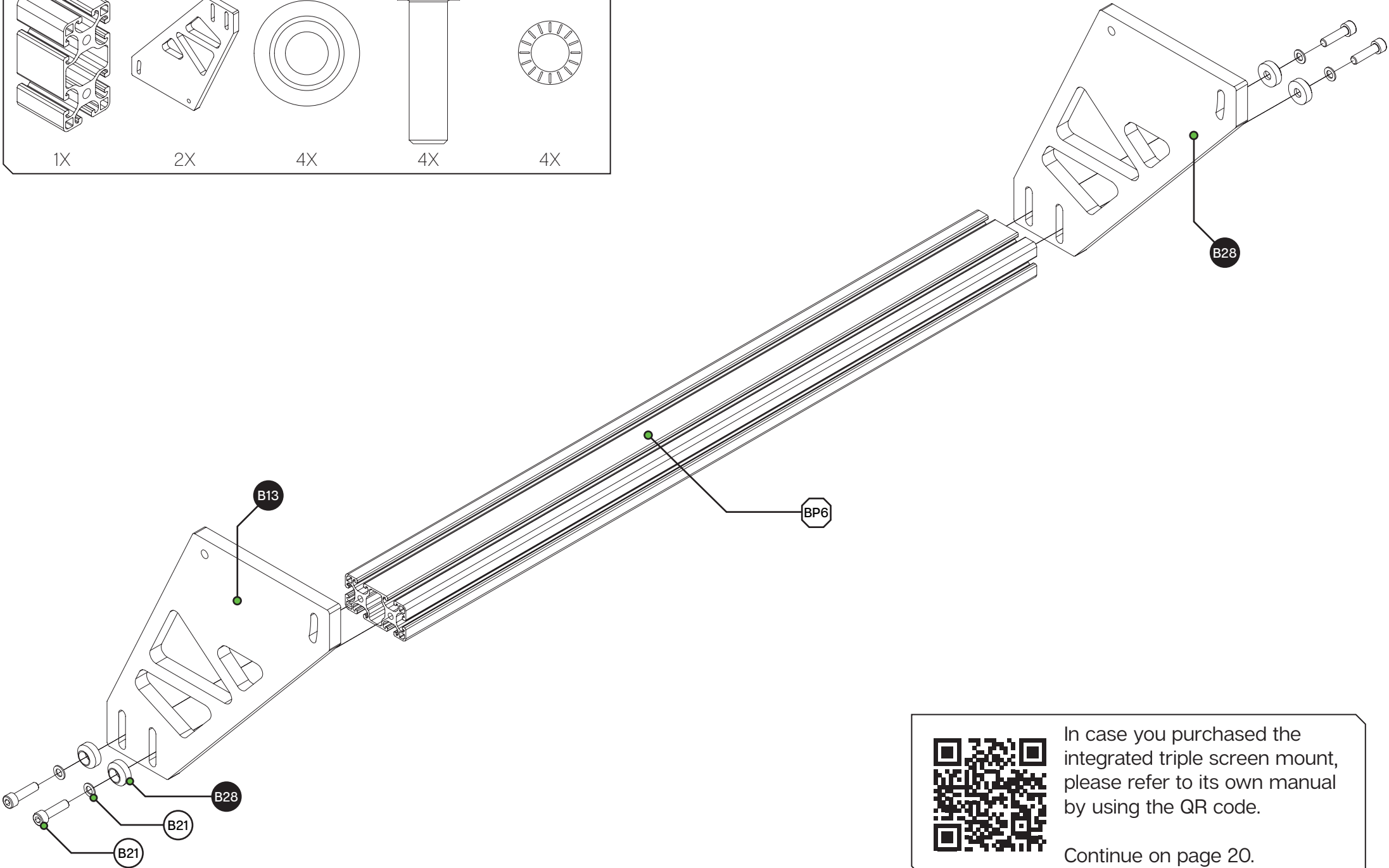
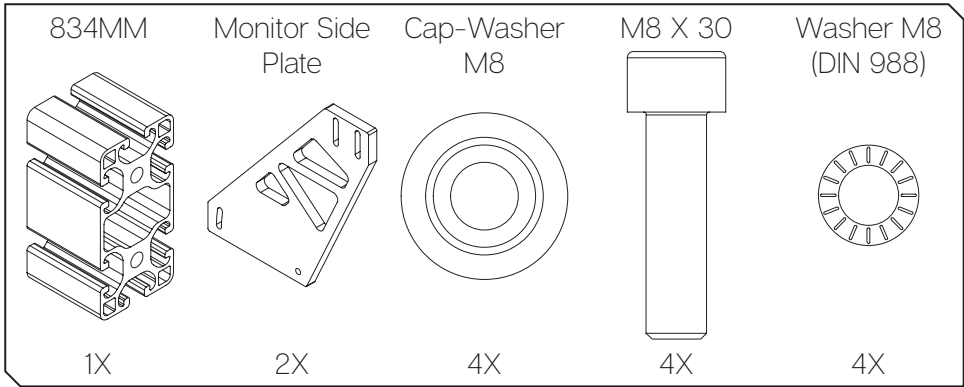



8X



12X

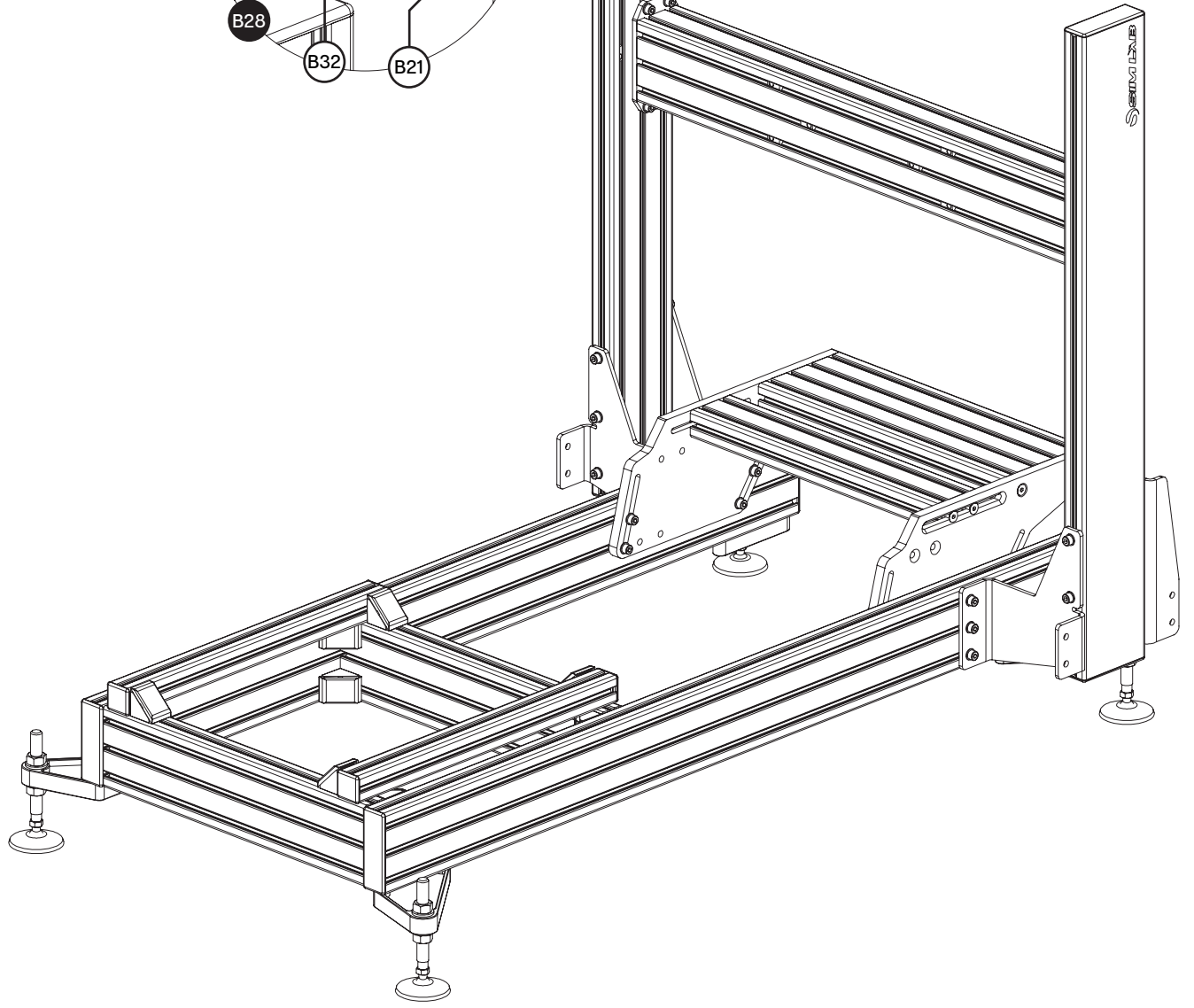
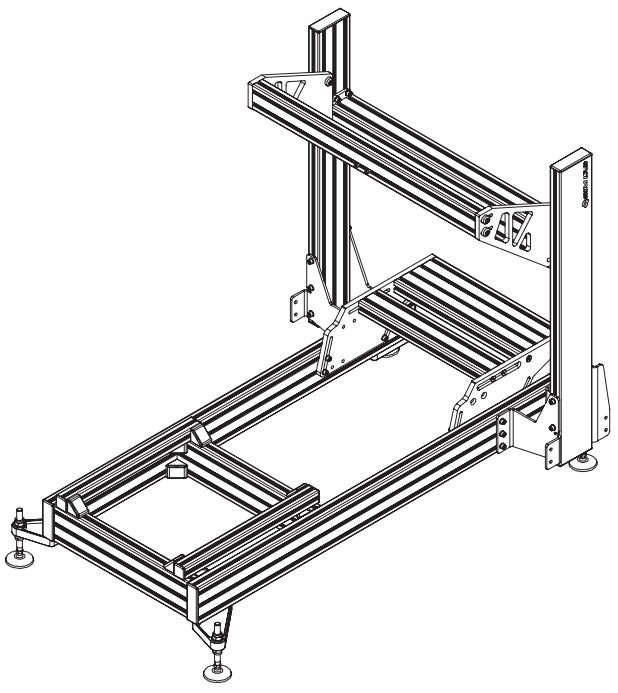
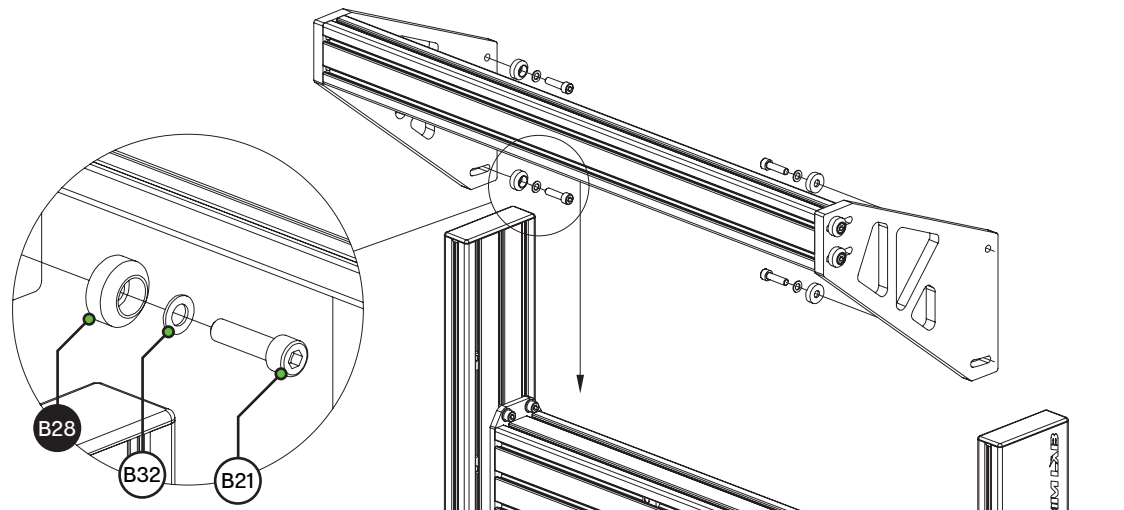
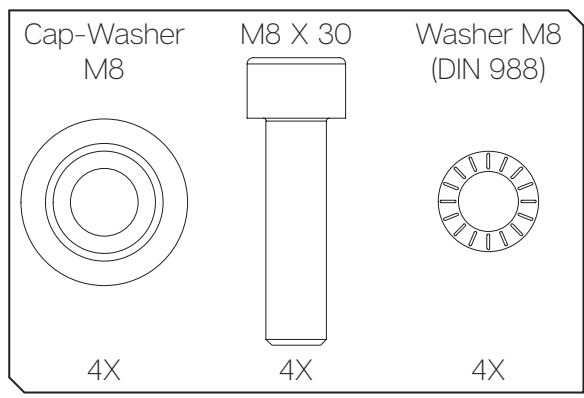


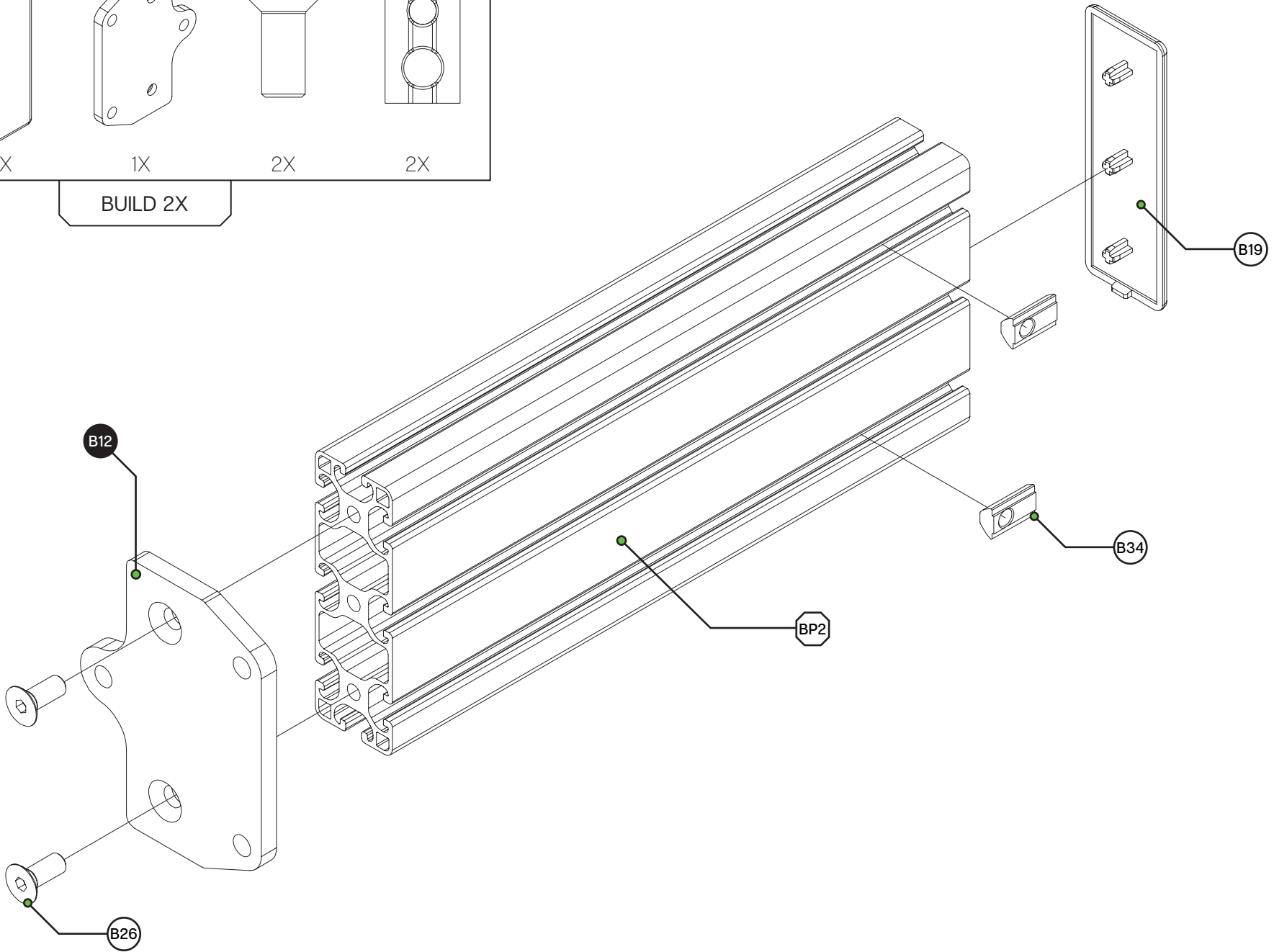
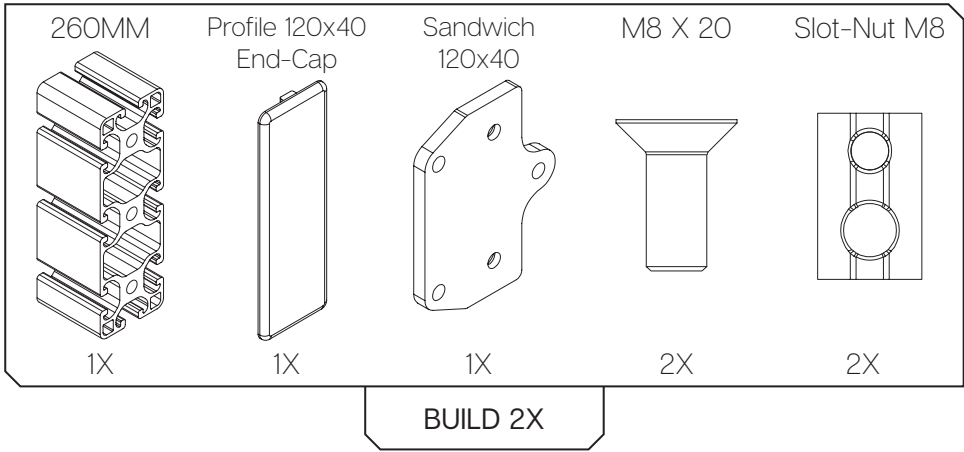




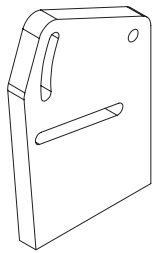
In case you purchased the integrated triple screen mount, please refer to its own manual by using the QR code.

Continue on page 20.



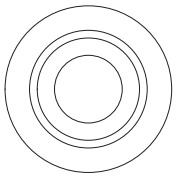


Front Mount
Side Plate



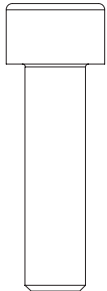
2X

Cap-Washer
M8



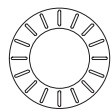
4X

M8 X 30

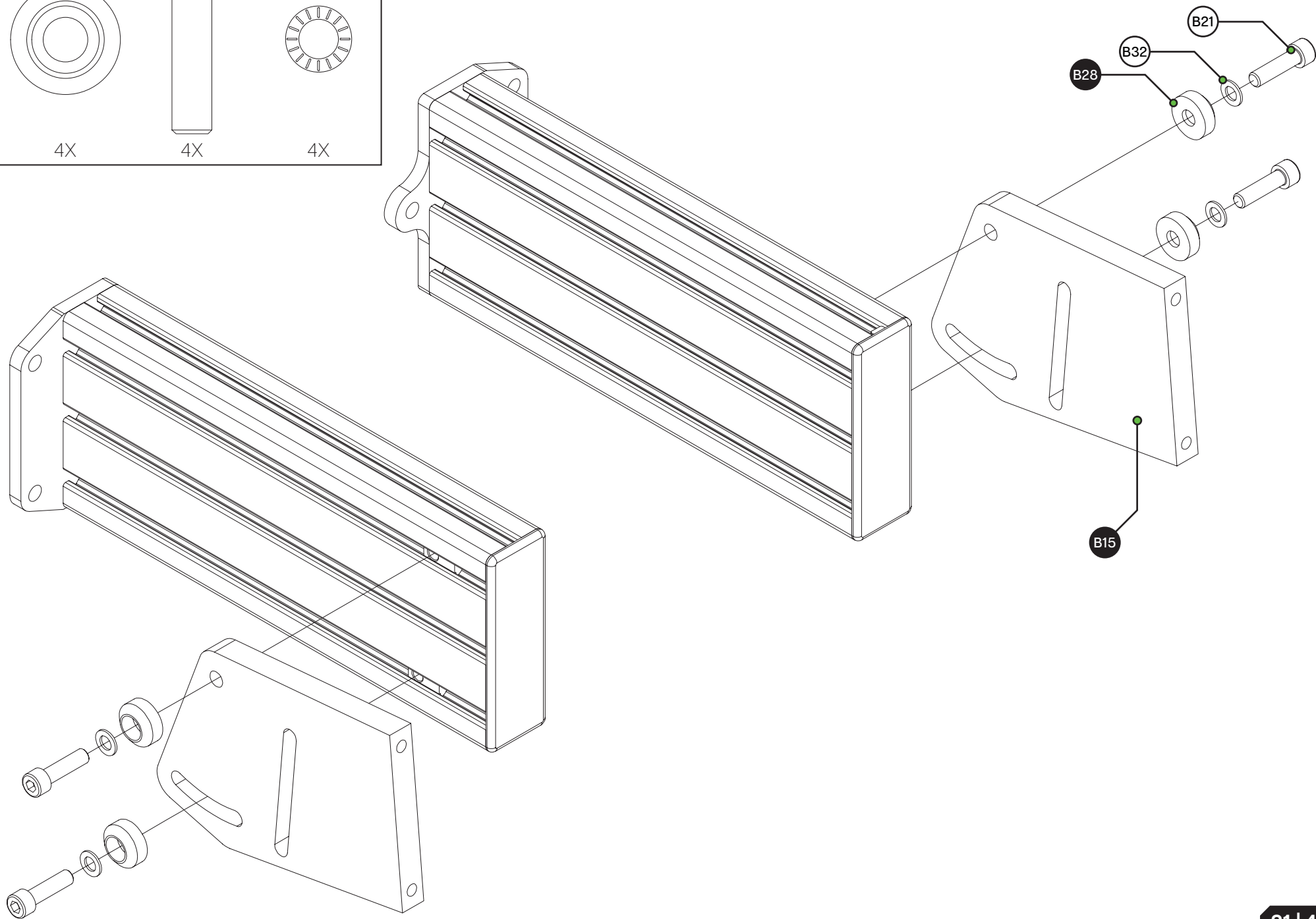


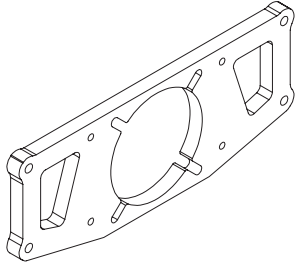
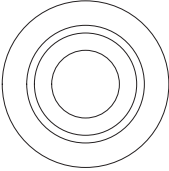
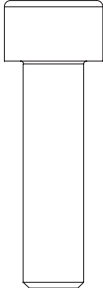
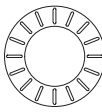
4X

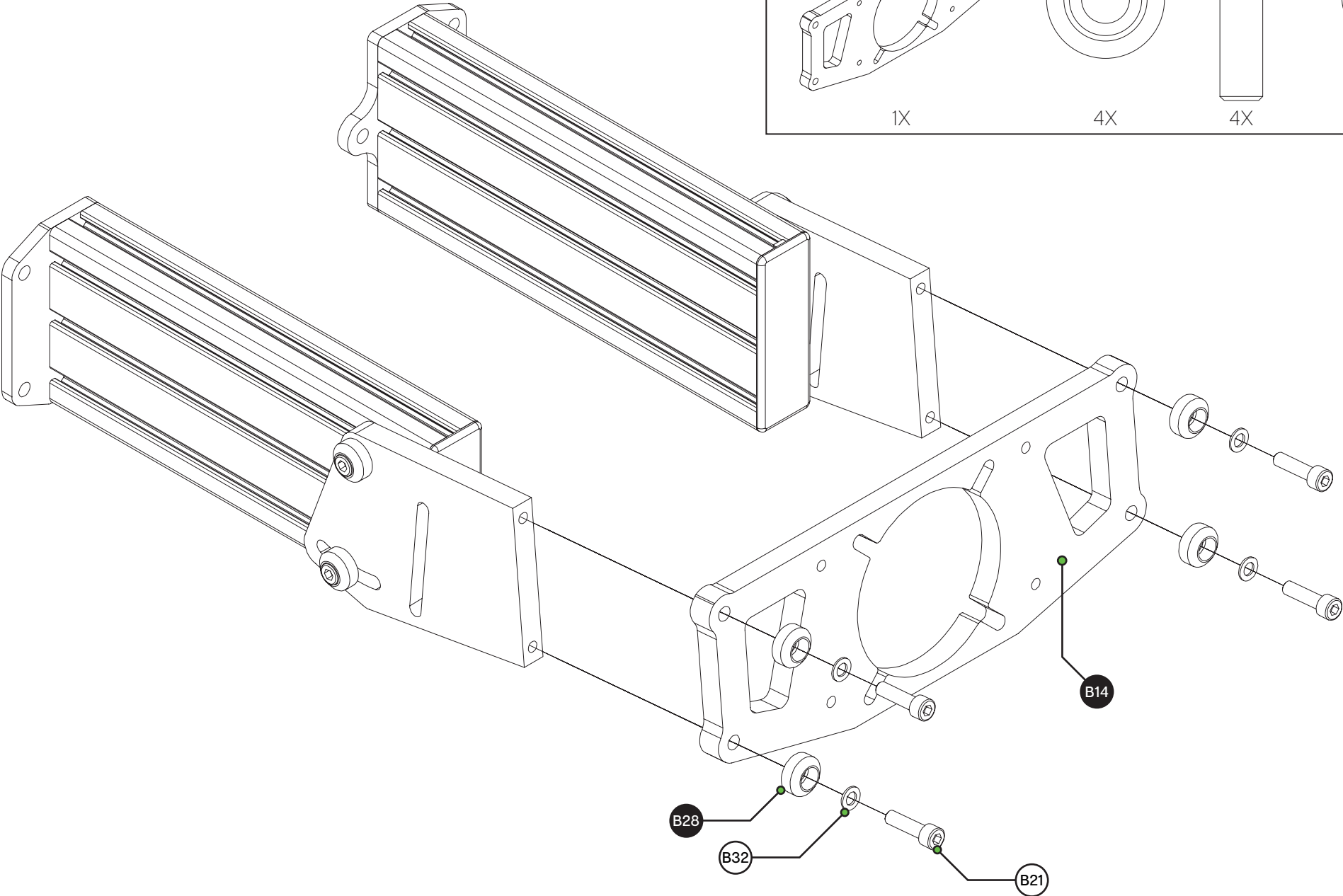
Washer M8
(DIN 988)



4X

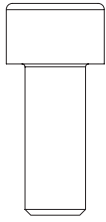


Front Mount	Cap-Washer M8	M8 X 30	Washer M8 (DIN 988)
			
1X	4X	4X	4X

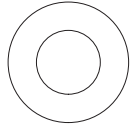


M8 X 20

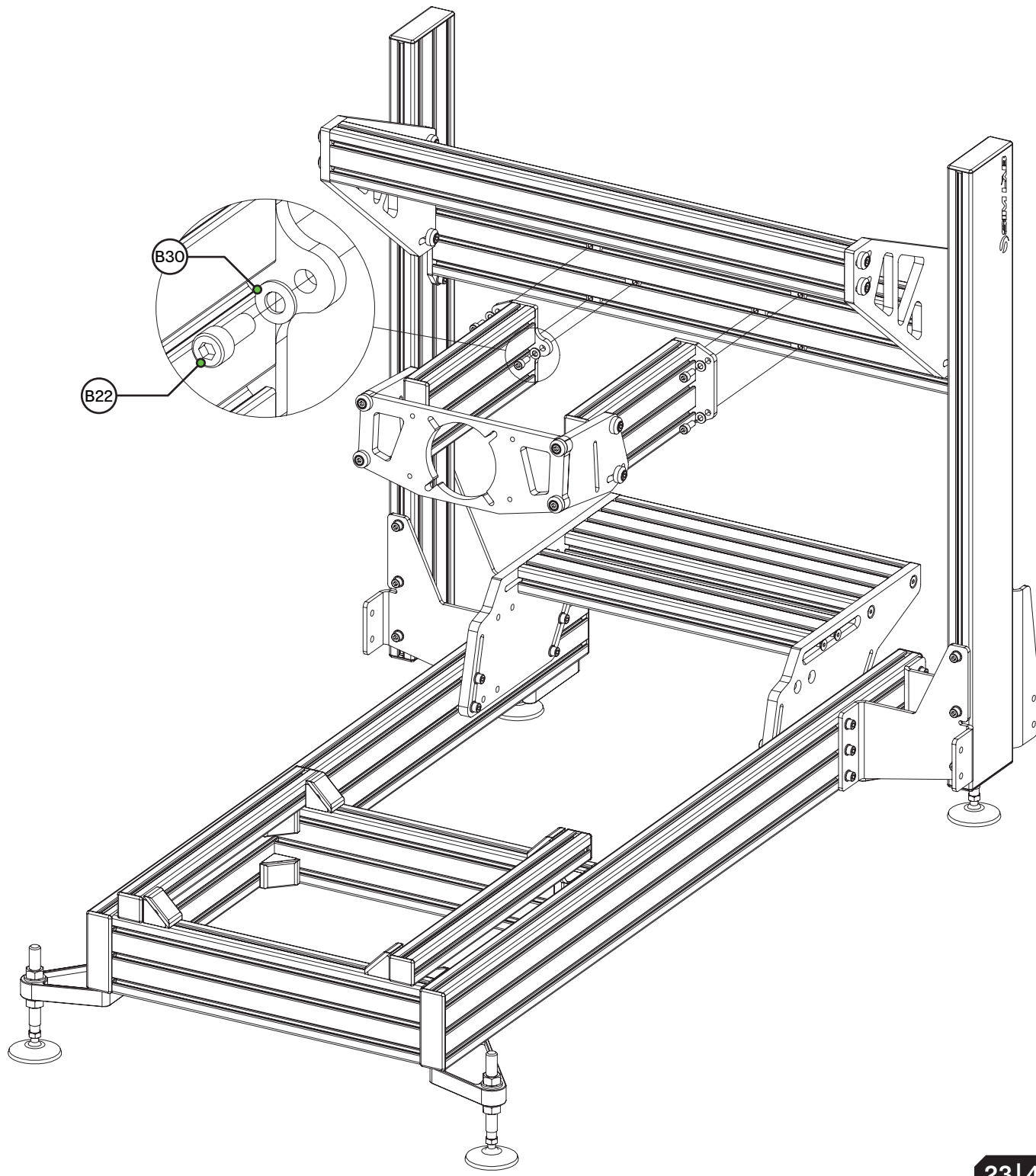
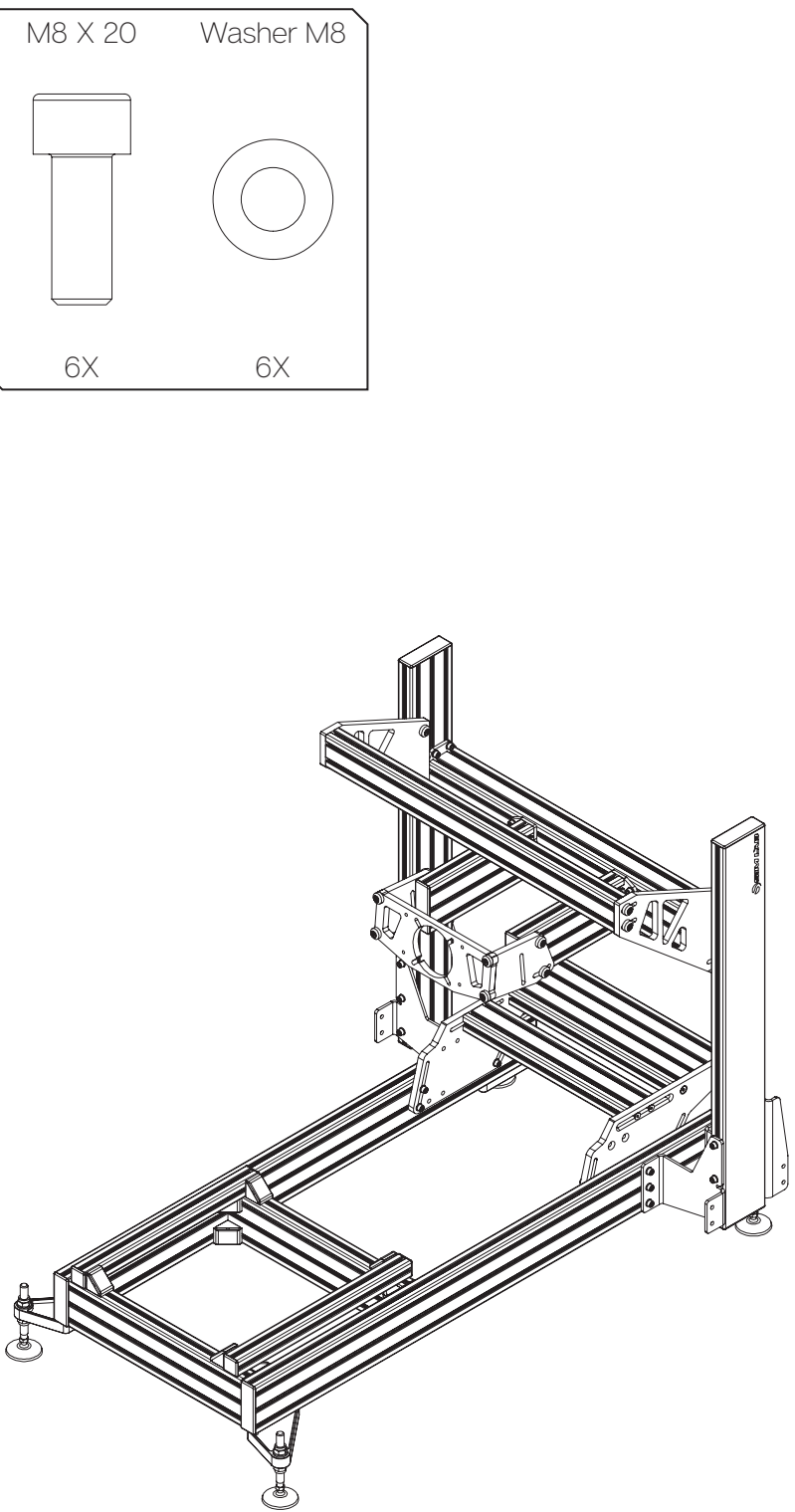
Washer M8

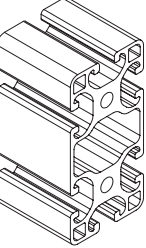
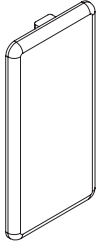
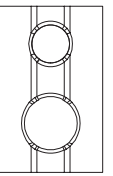


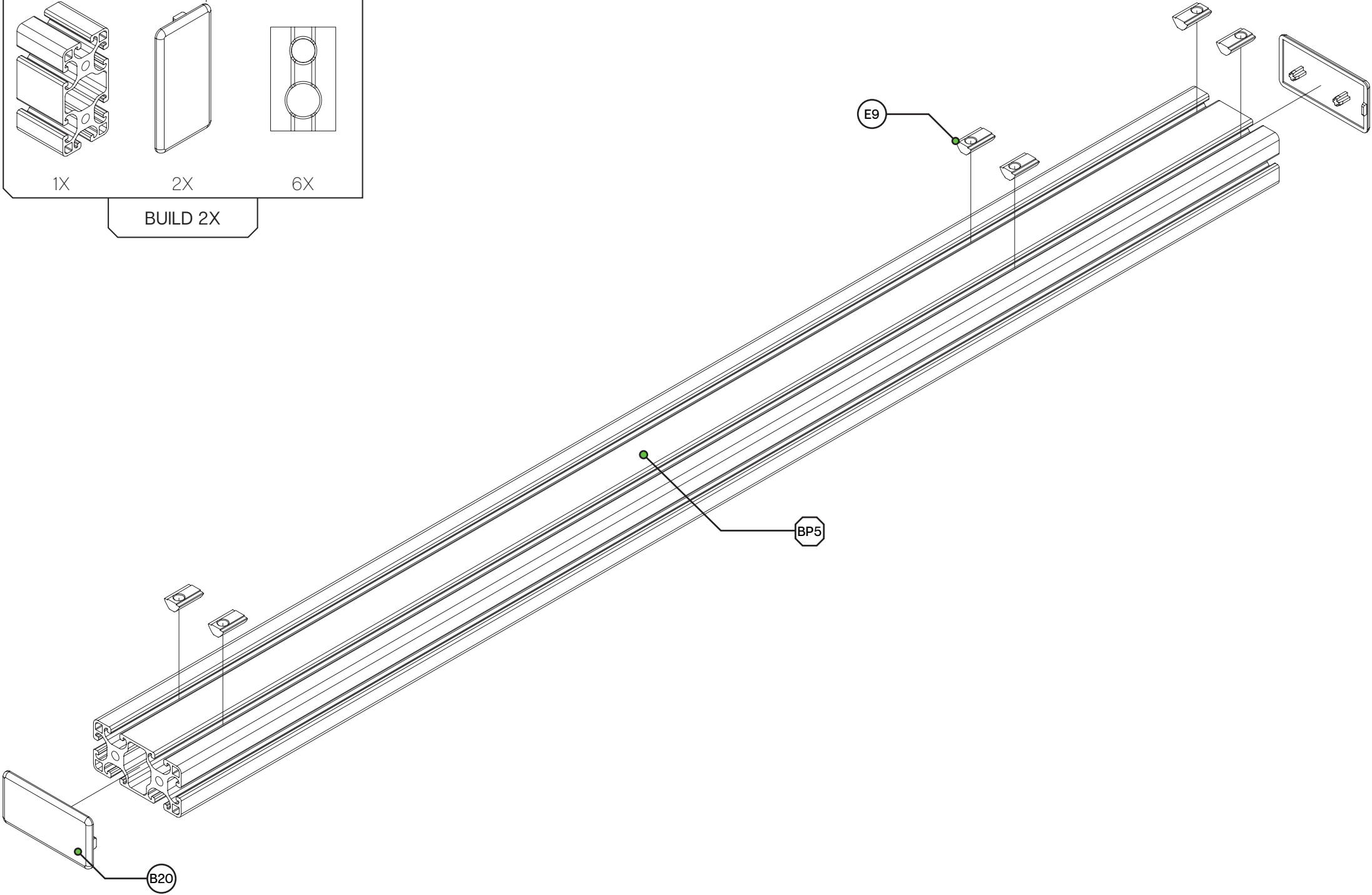
6X

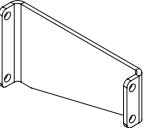
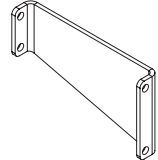
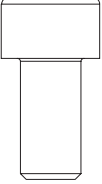
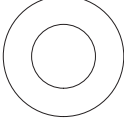
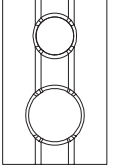


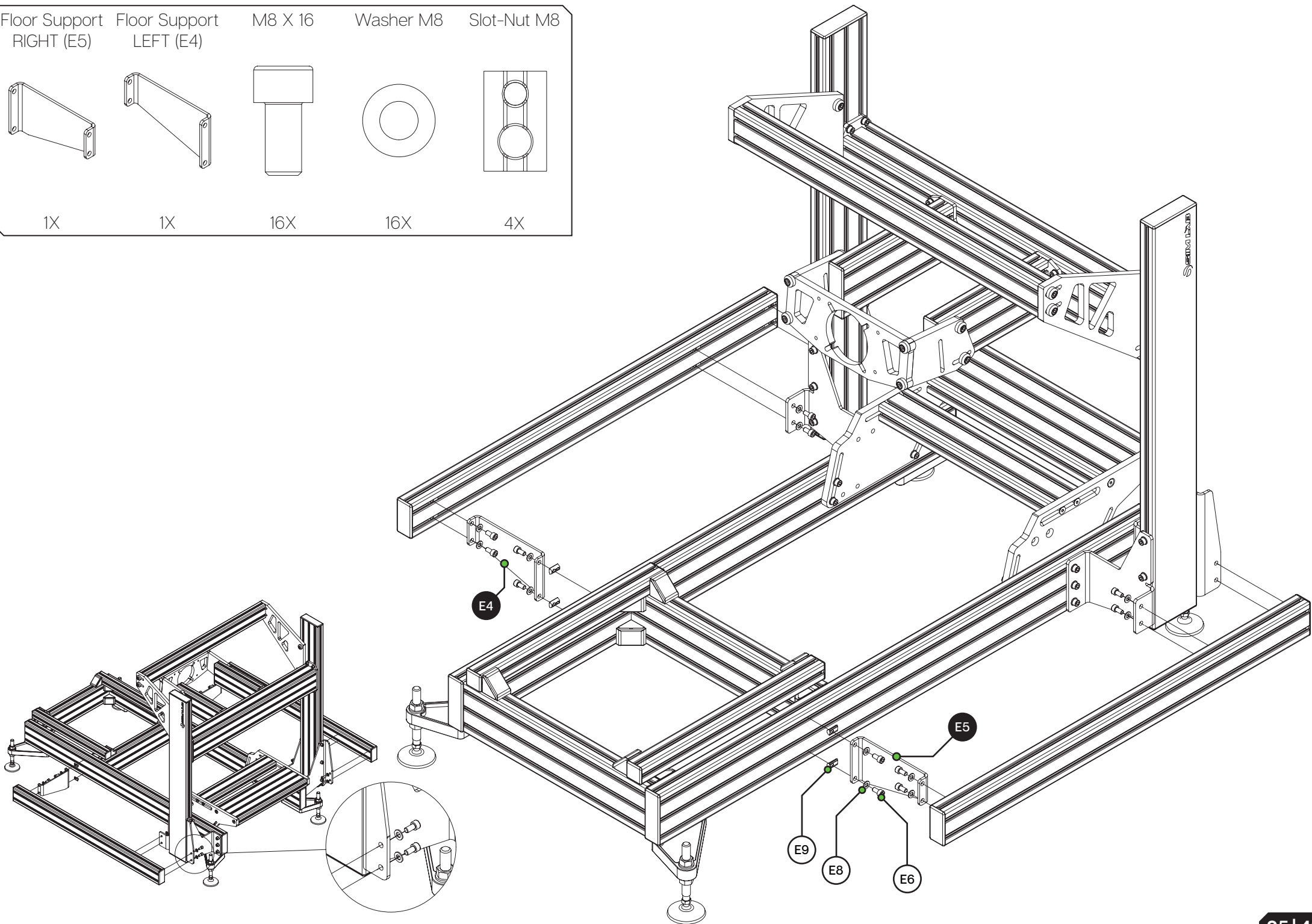
6X

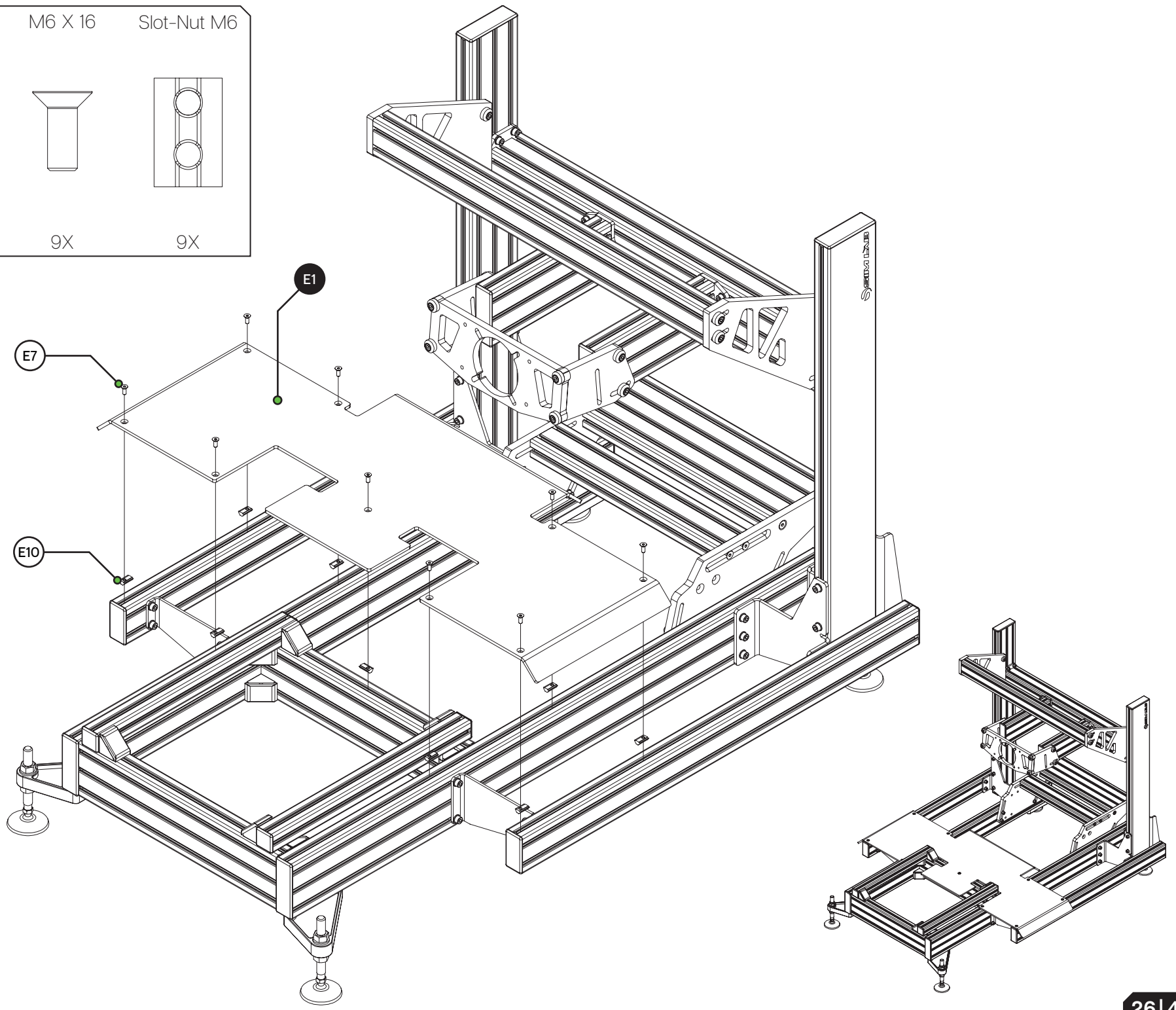
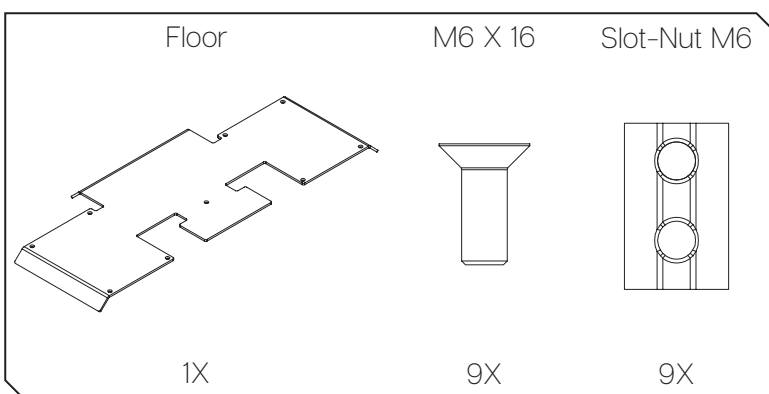


1000MM	Profile 80X40 End-Cap	Slot-Nut M8
		
1X	2X	6X
BUILD 2X		

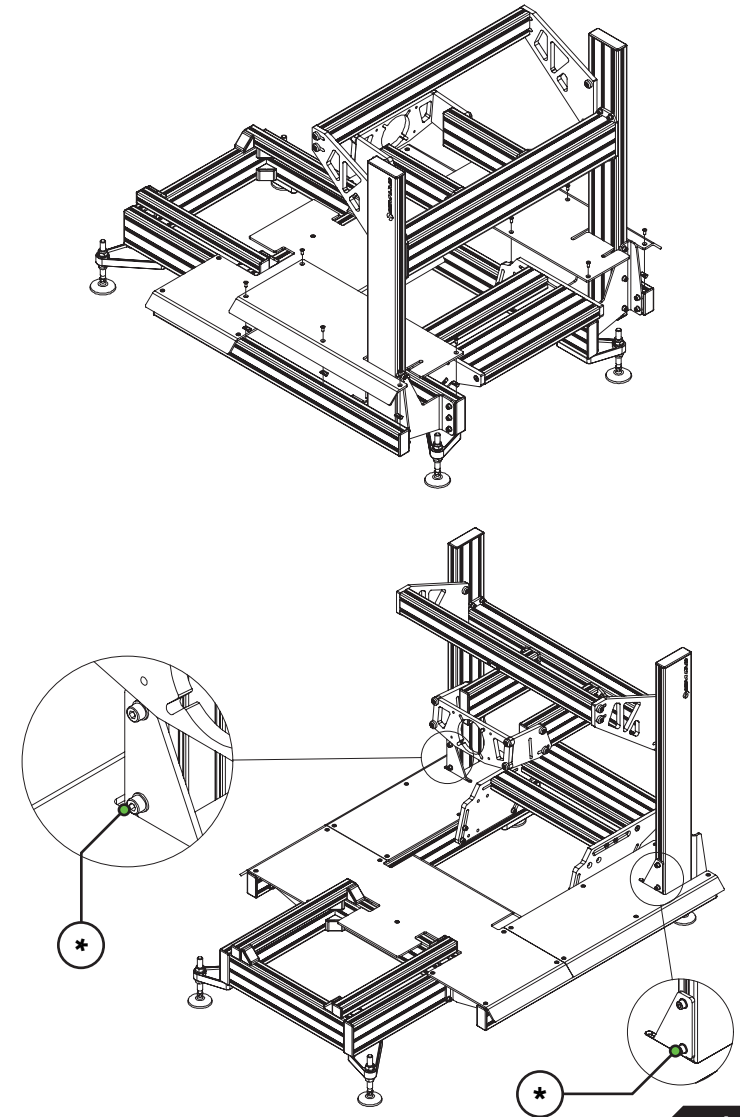
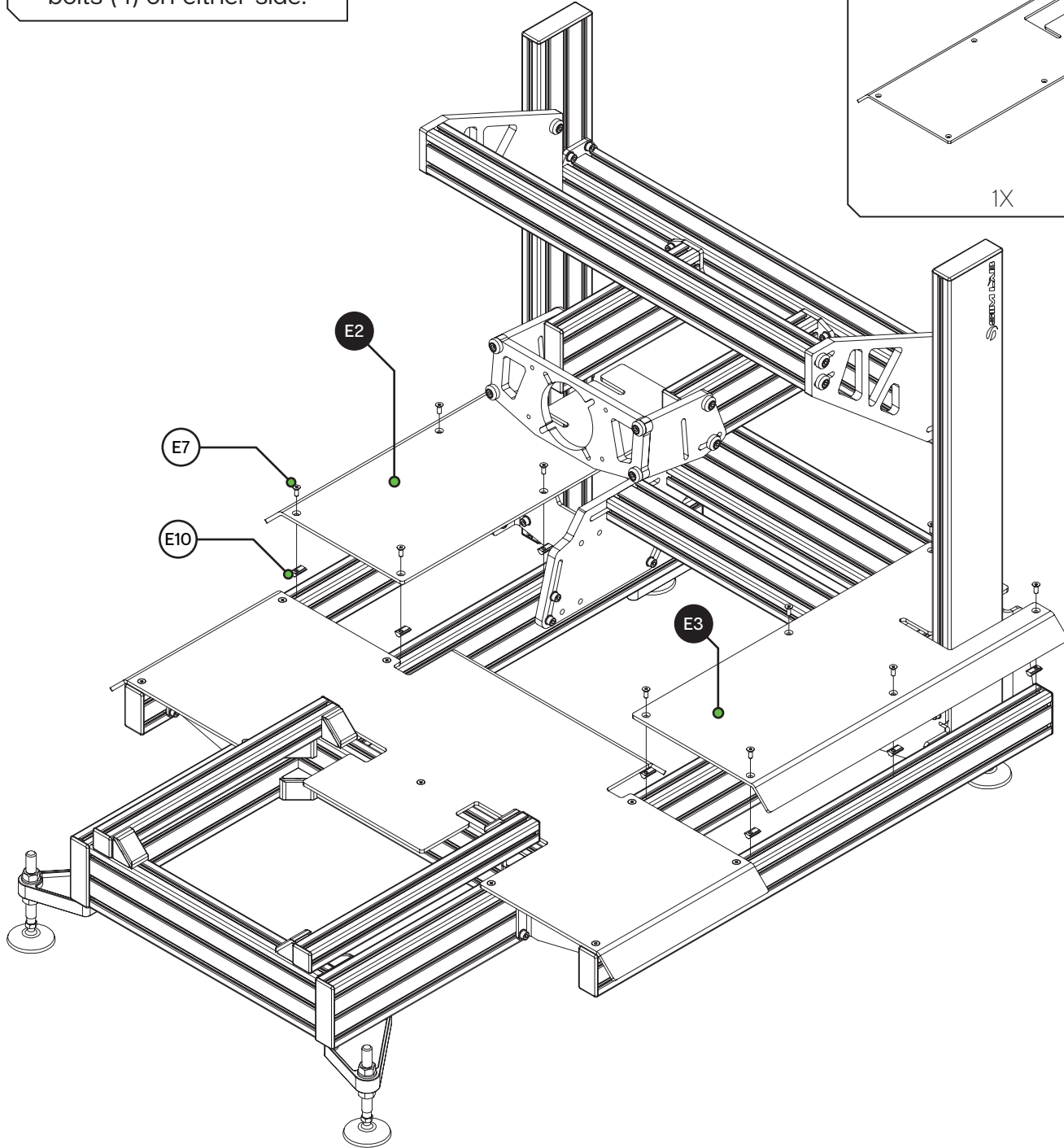
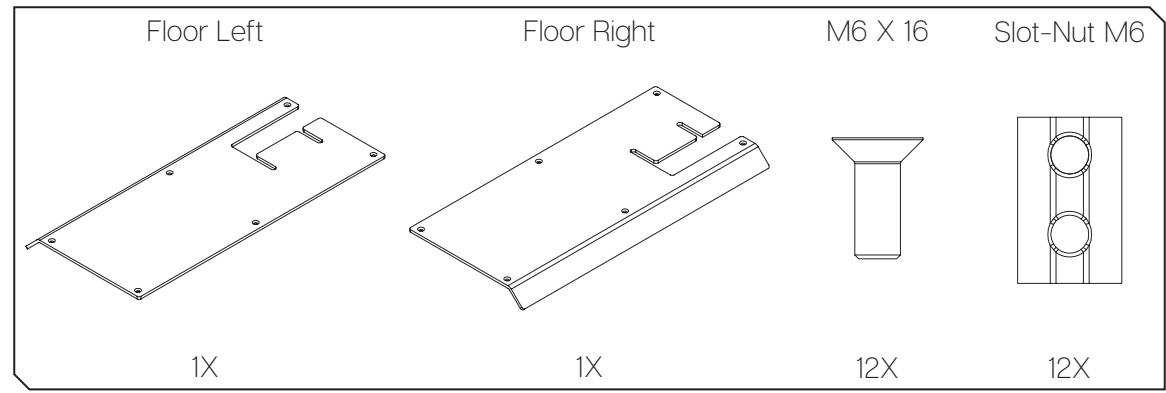


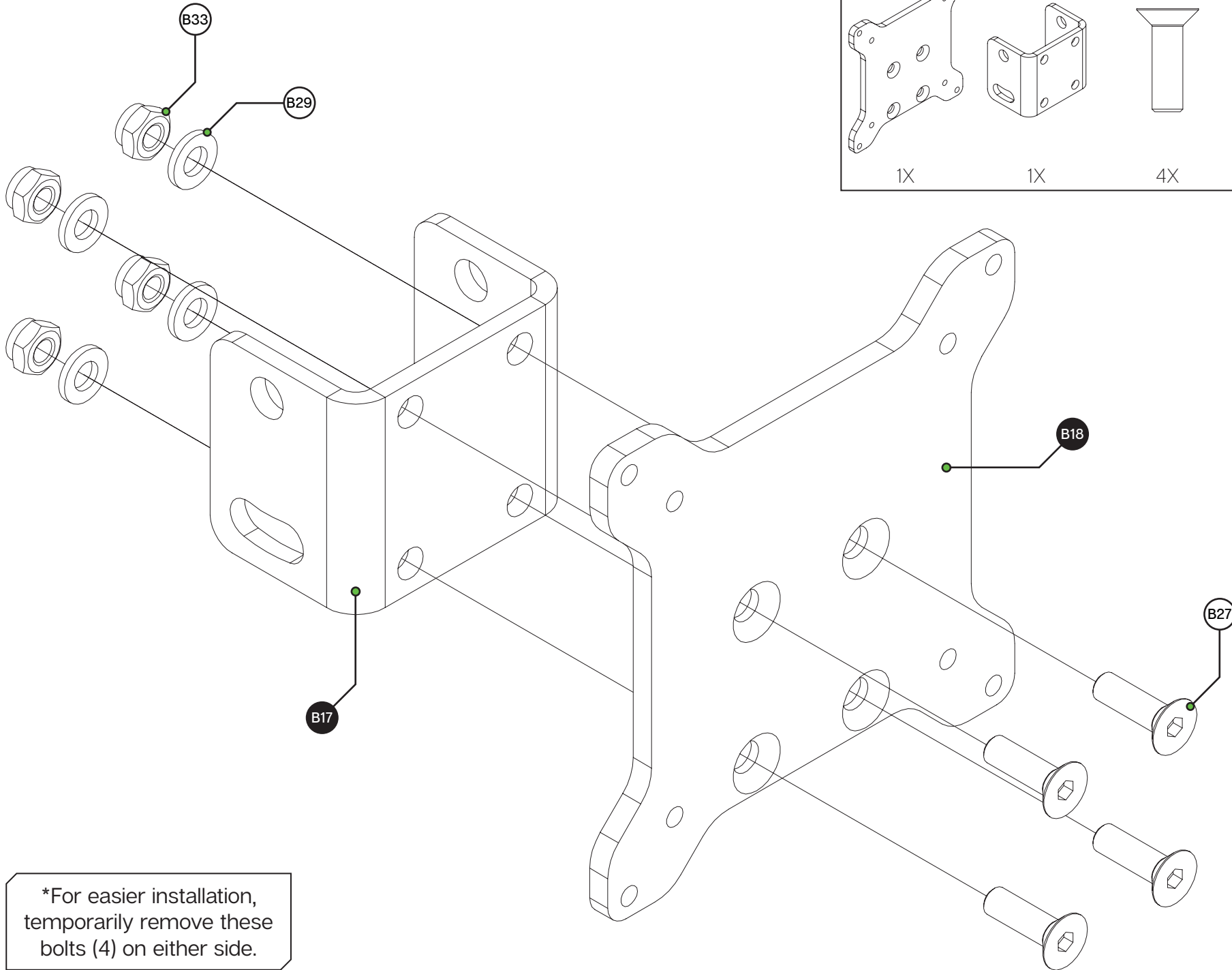
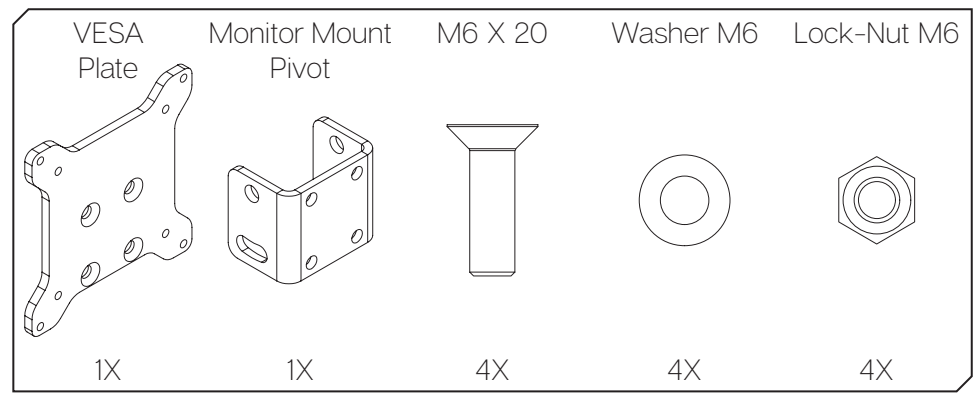
Floor Support RIGHT (E5)	Floor Support LEFT (E4)	M8 X 16	Washer M8	Slot-Nut M8
				
1X	1X	16X	16X	4X





*For easier installation,
temporarily remove these
bolts (4) on either side.





*For easier installation, temporarily remove these bolts (4) on either side.

M8 X 16

Cap-Washer
M6

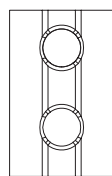
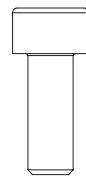
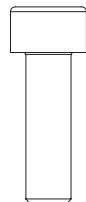
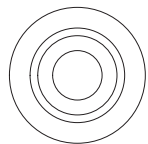
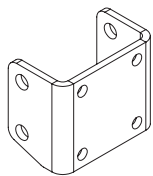
M6 X 20
(B24)

M6 X 16
(B25)

Washer M6

Slot-Nut M6

Lock-Nut M6



1X

4X

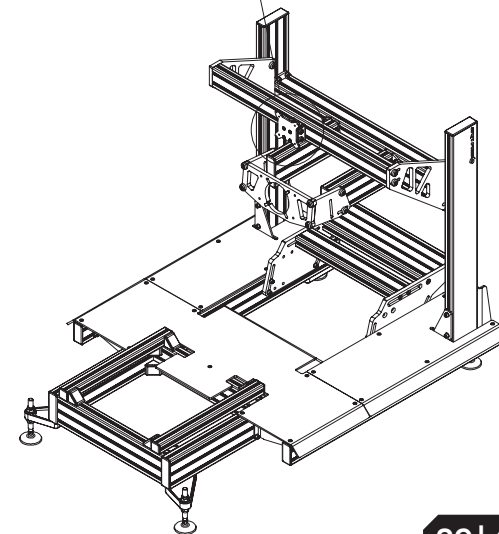
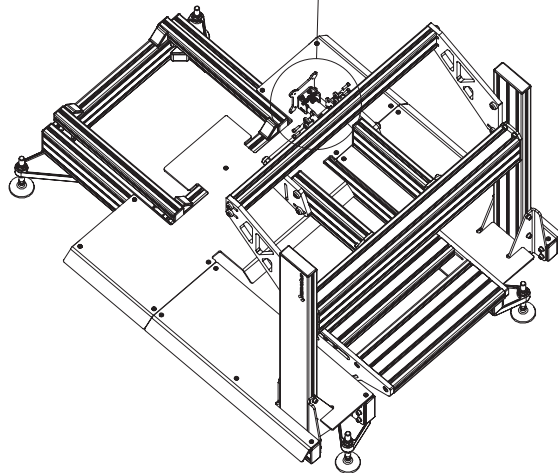
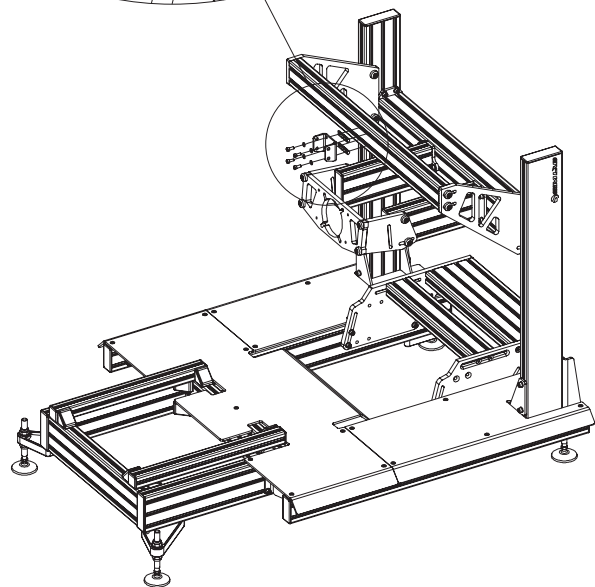
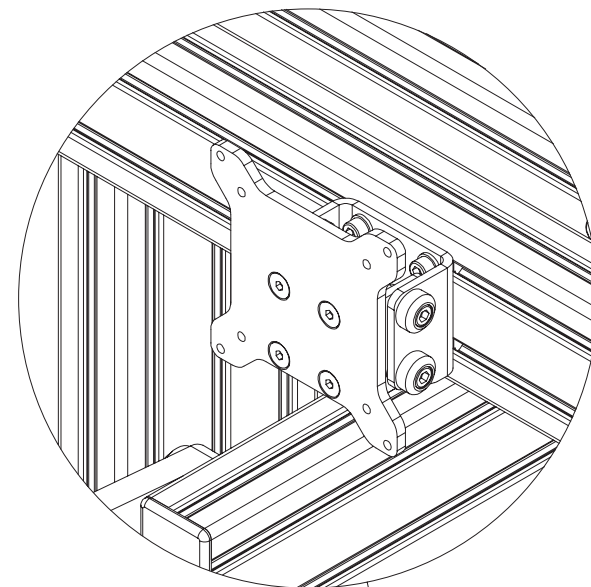
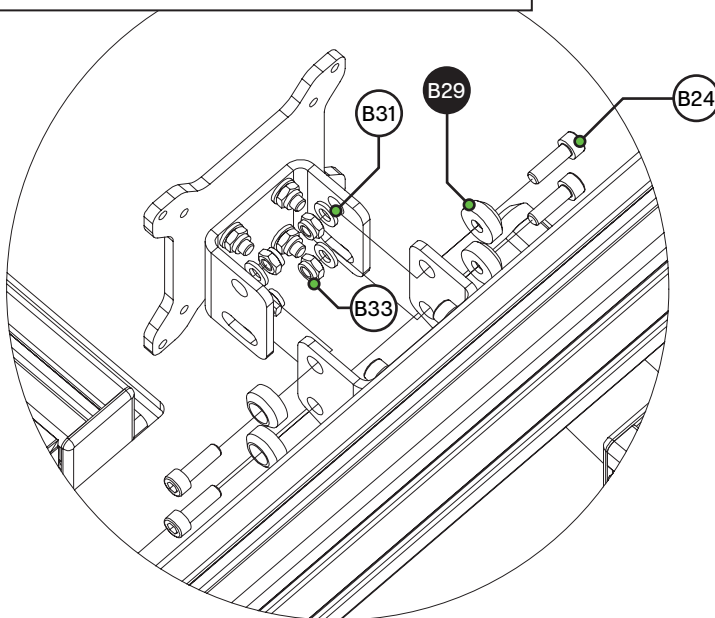
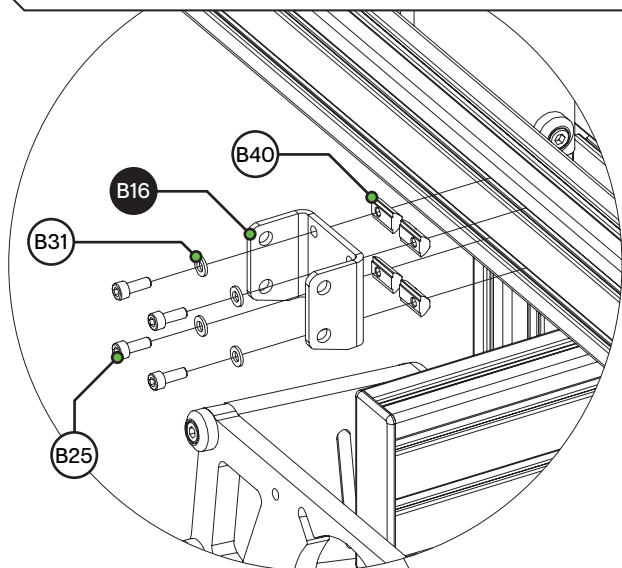
4X

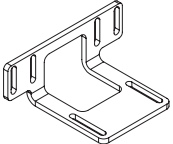
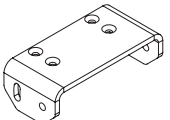
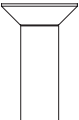


4X

8X

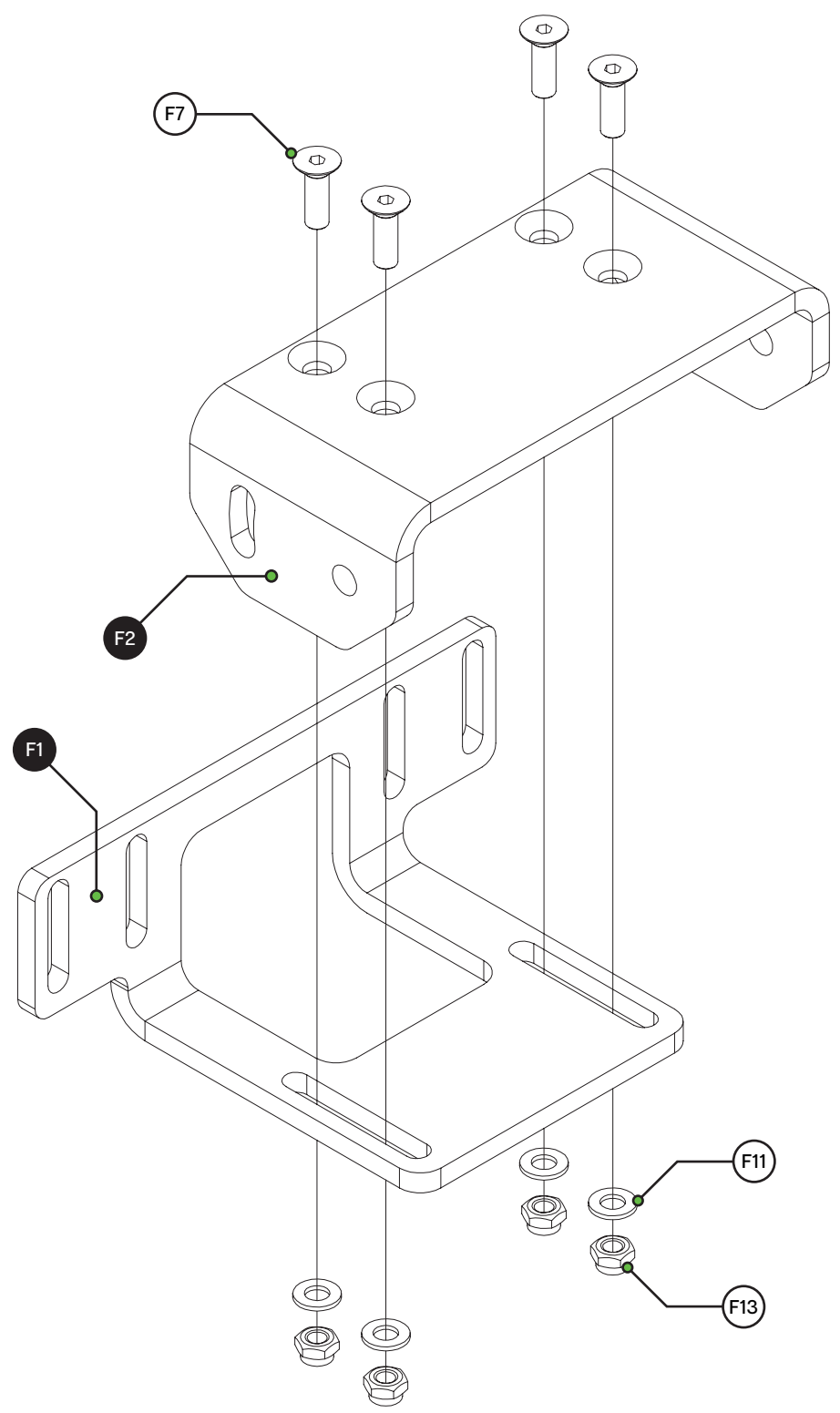
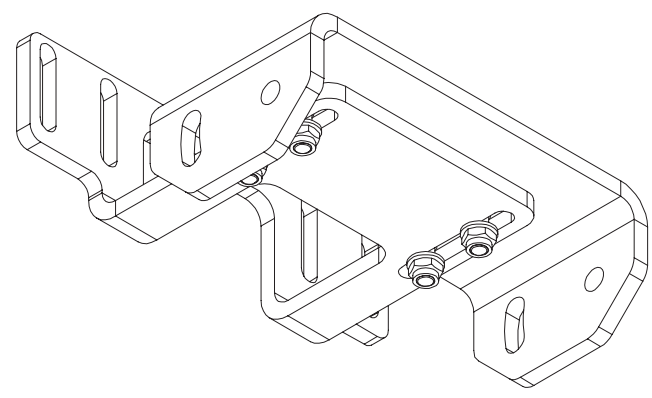
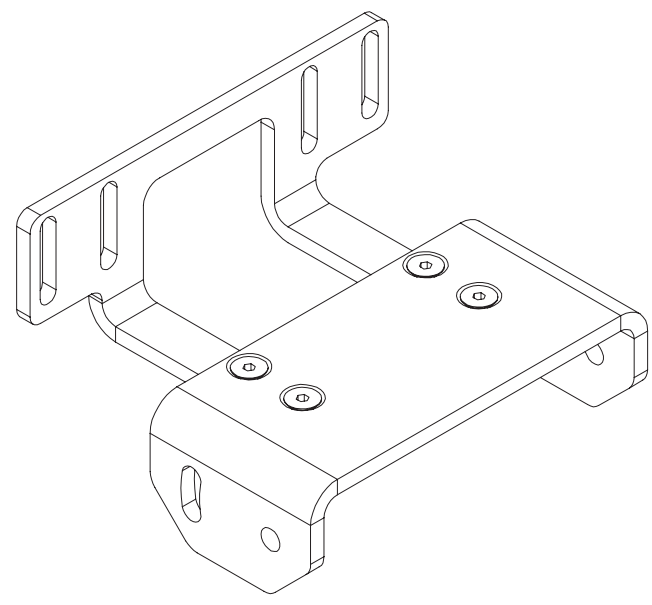
4X

4X

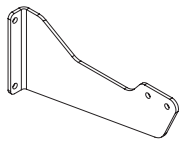


DDU Mount Bracket	DDU Mount Bridge	M5 X 16	Washer M5	Lock-Nut M5
				
1X	1X	4X	4X	4X

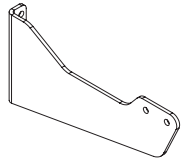
DDU Mount



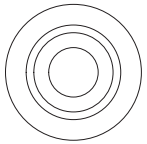
DDU Mount Holder LEFT DDU Mount Holder RIGHT Cap-Washer M6 M6 X 20 Washer M6 Lock-Nut M6



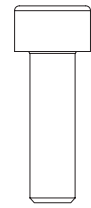
1X



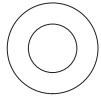
1X



4X



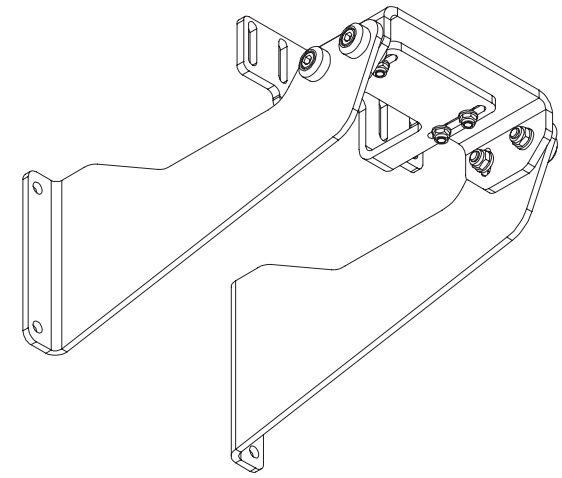
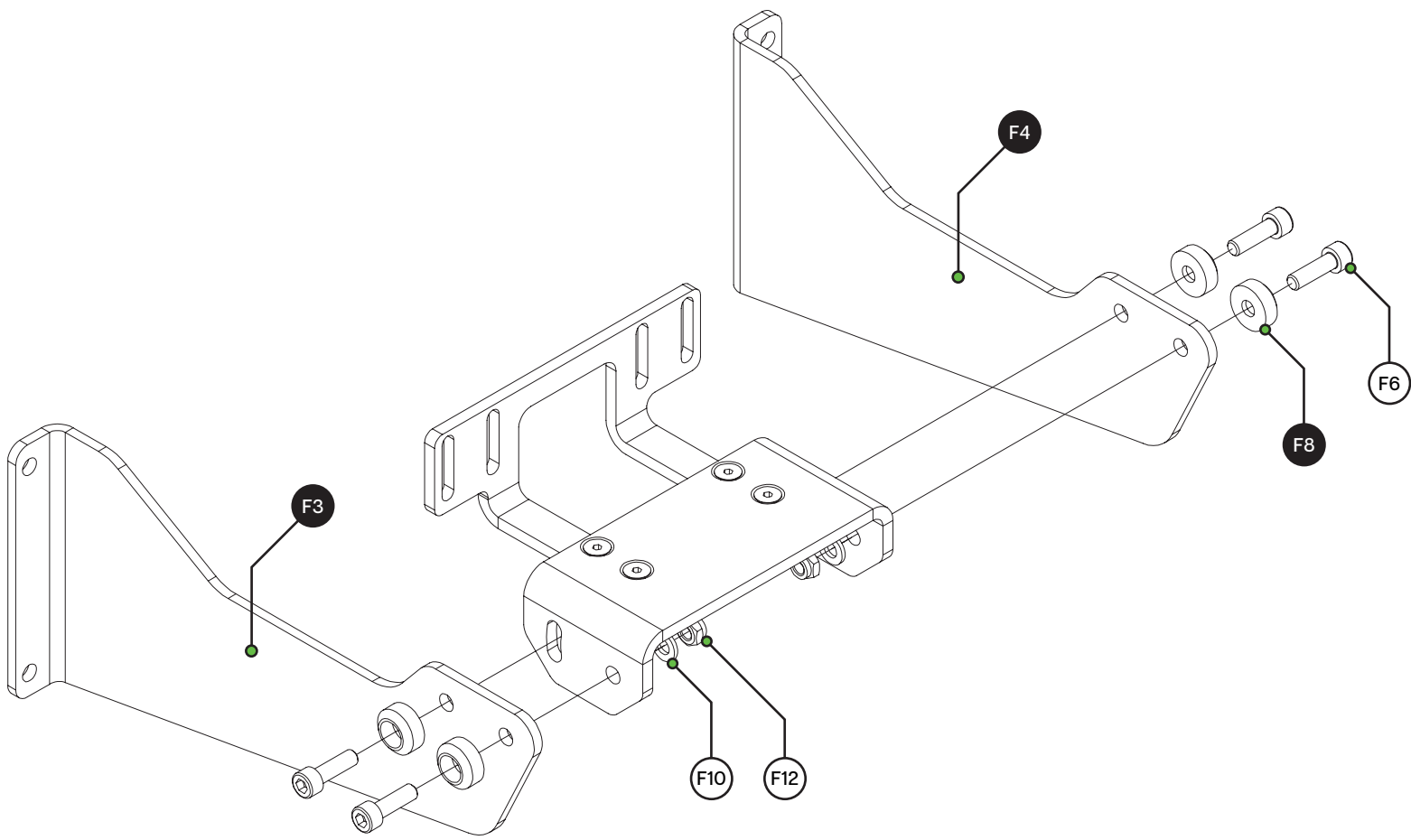
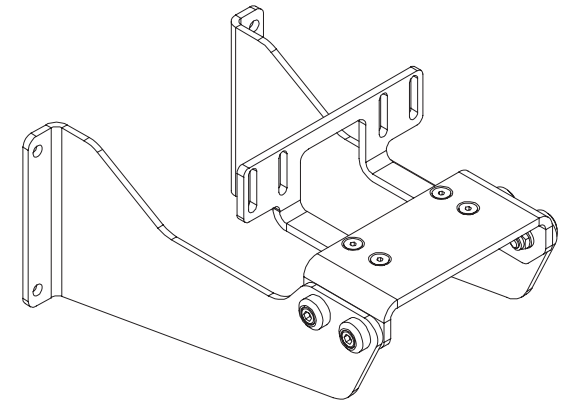
4X



4X



4X



The DDU mount expects our Steering Wheel Extension (J1) to be fitted.

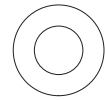
M6 X 30

Washer M6

Lock-Nut M6



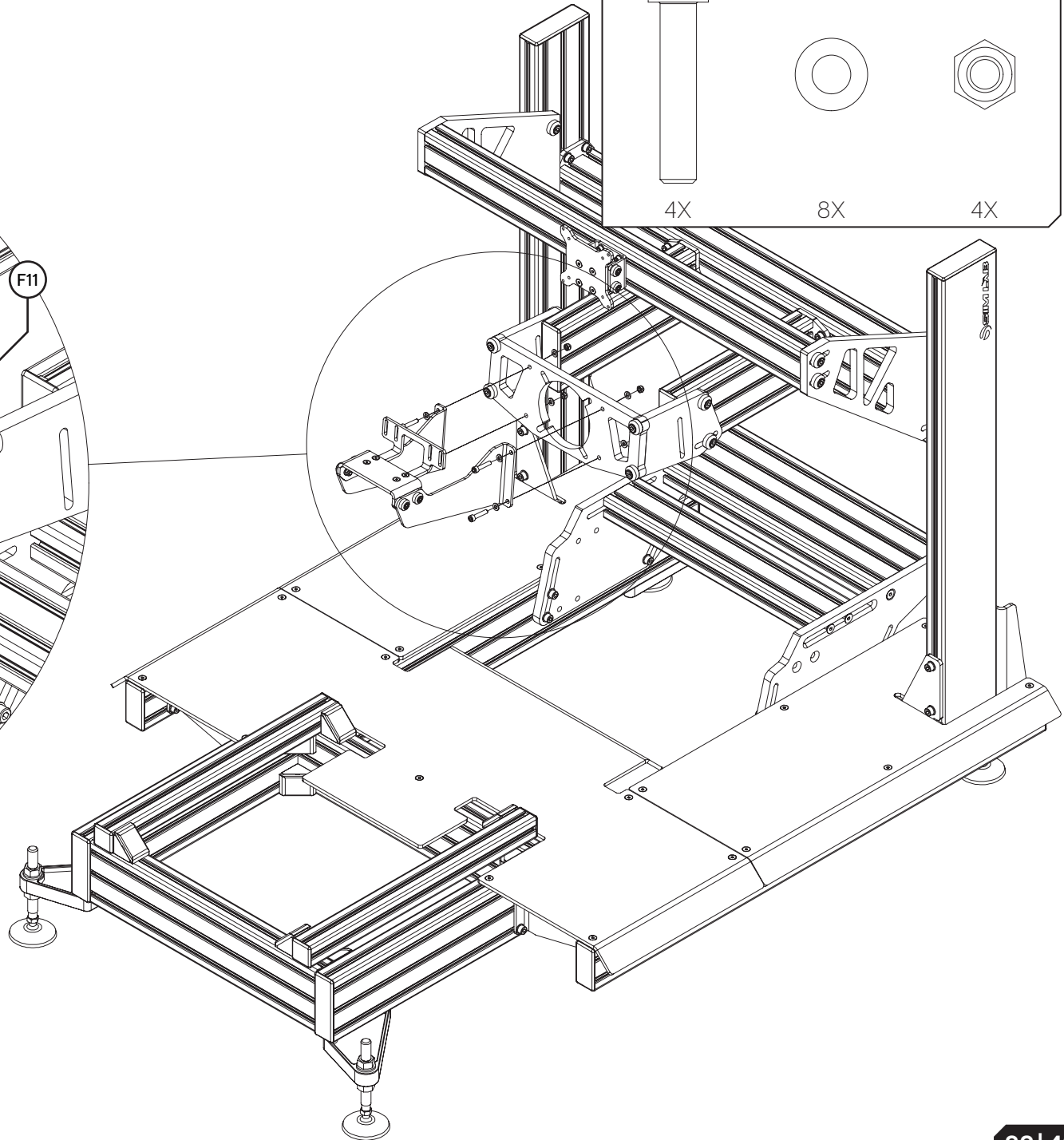
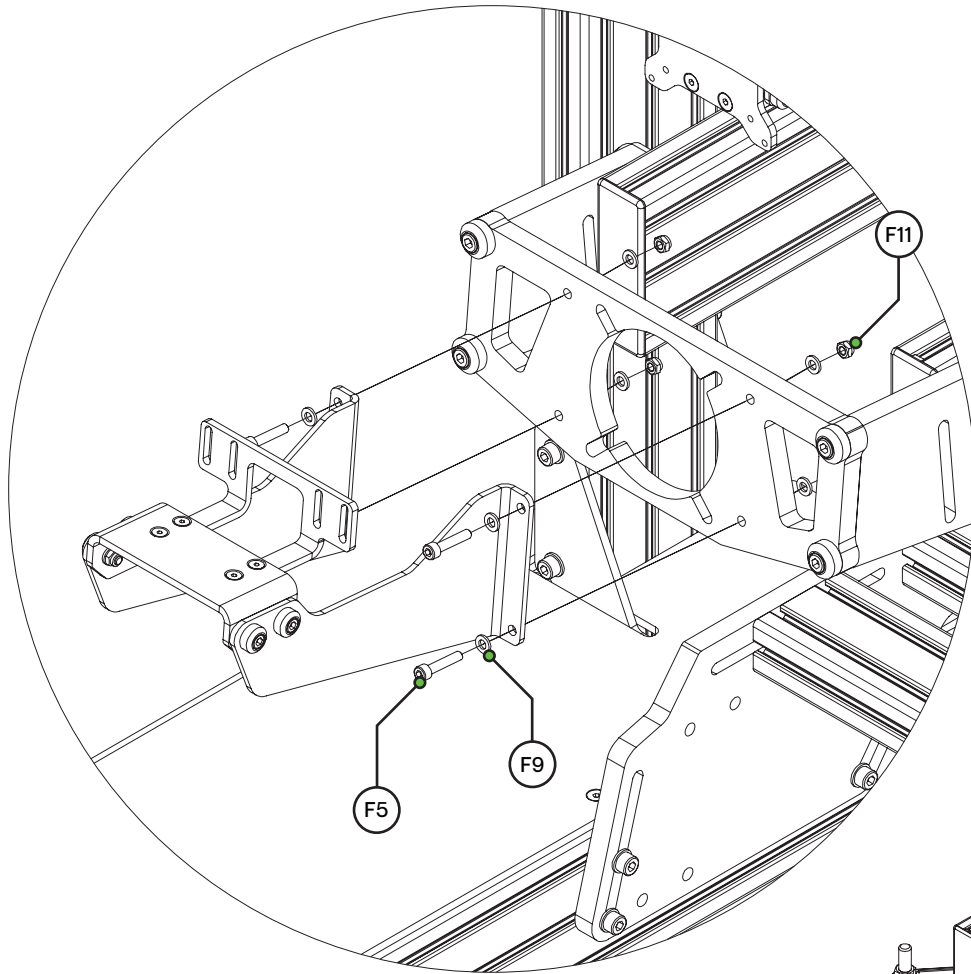
4X



8X



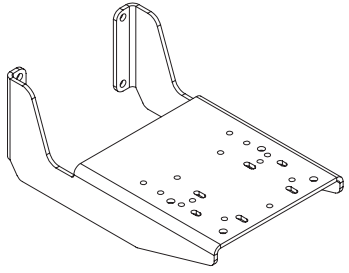
4X



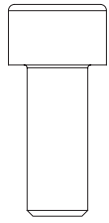
Wheel Deck

M8 X 20

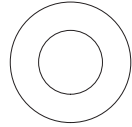
Washer M8



1X

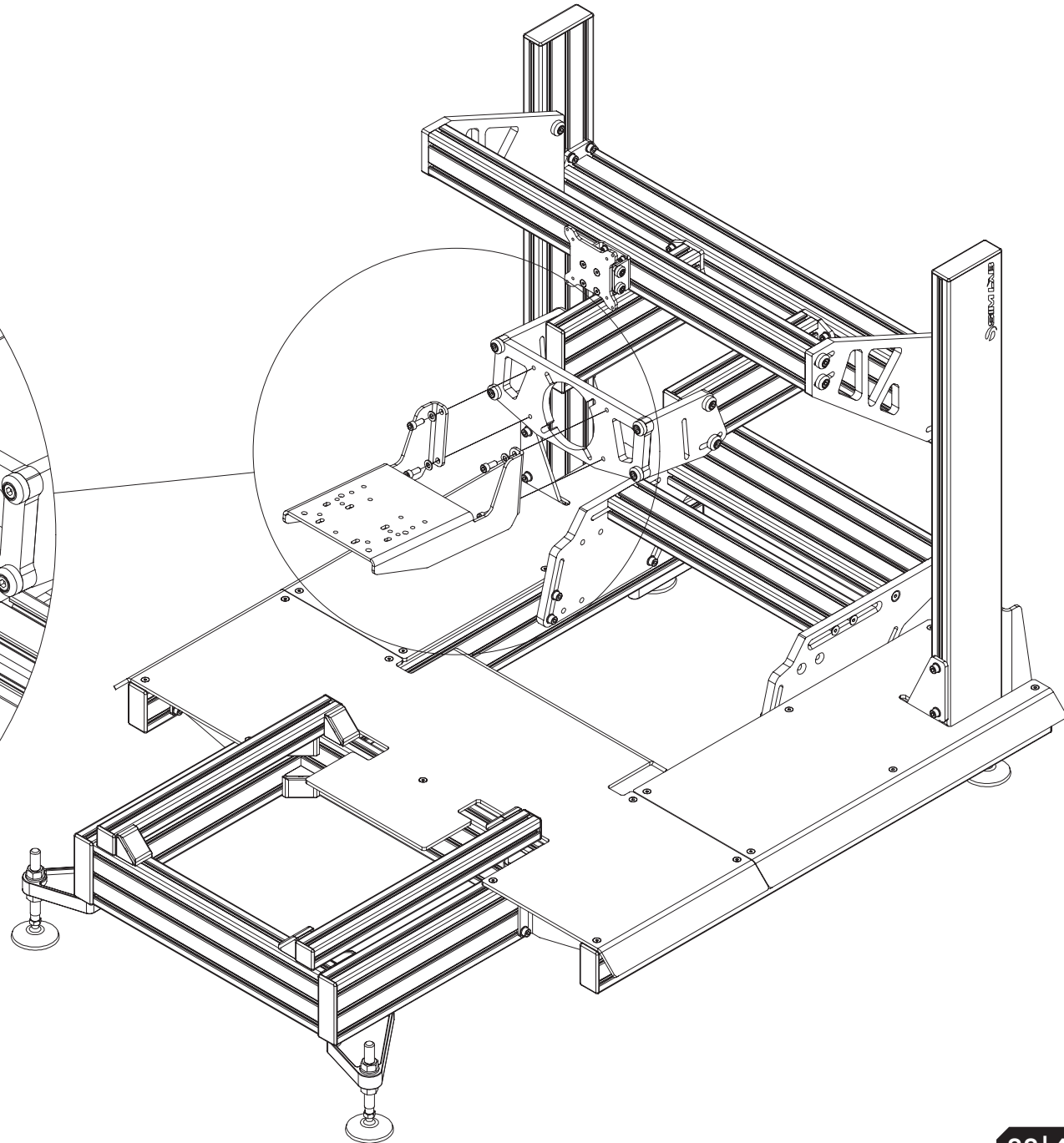
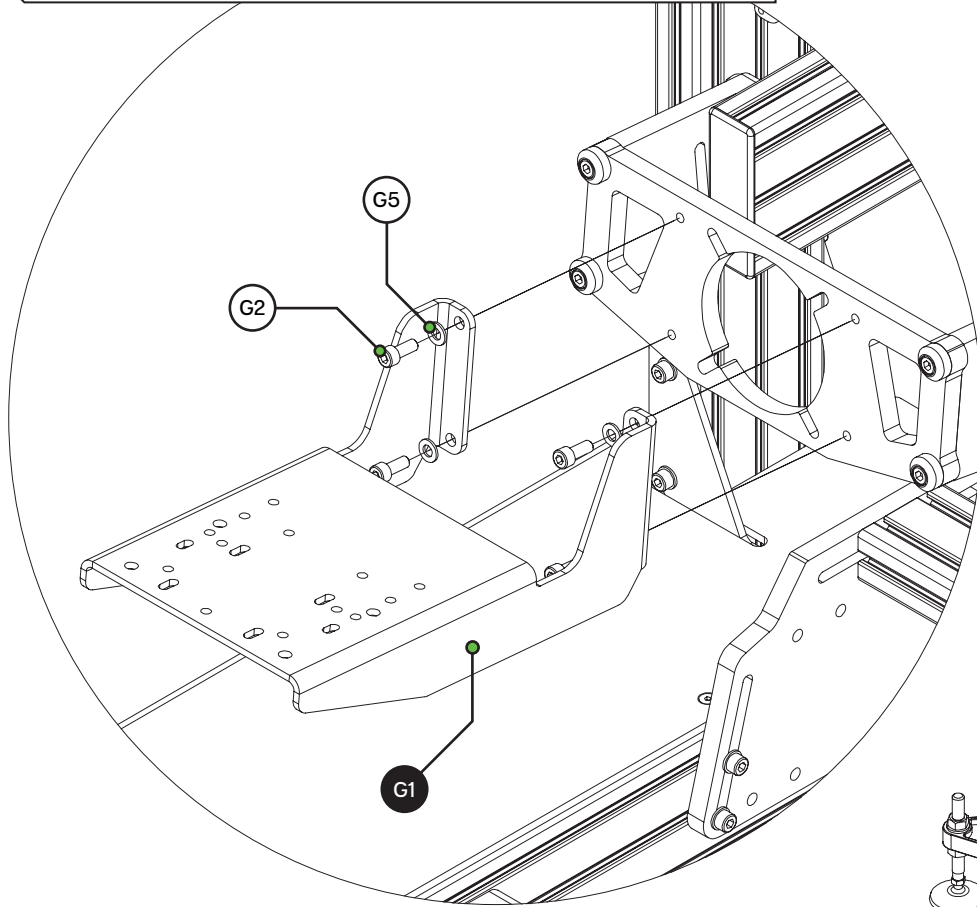


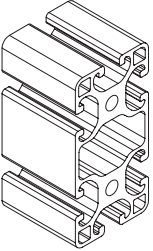
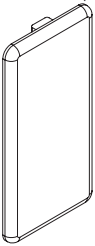
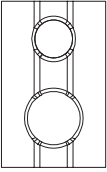
4X

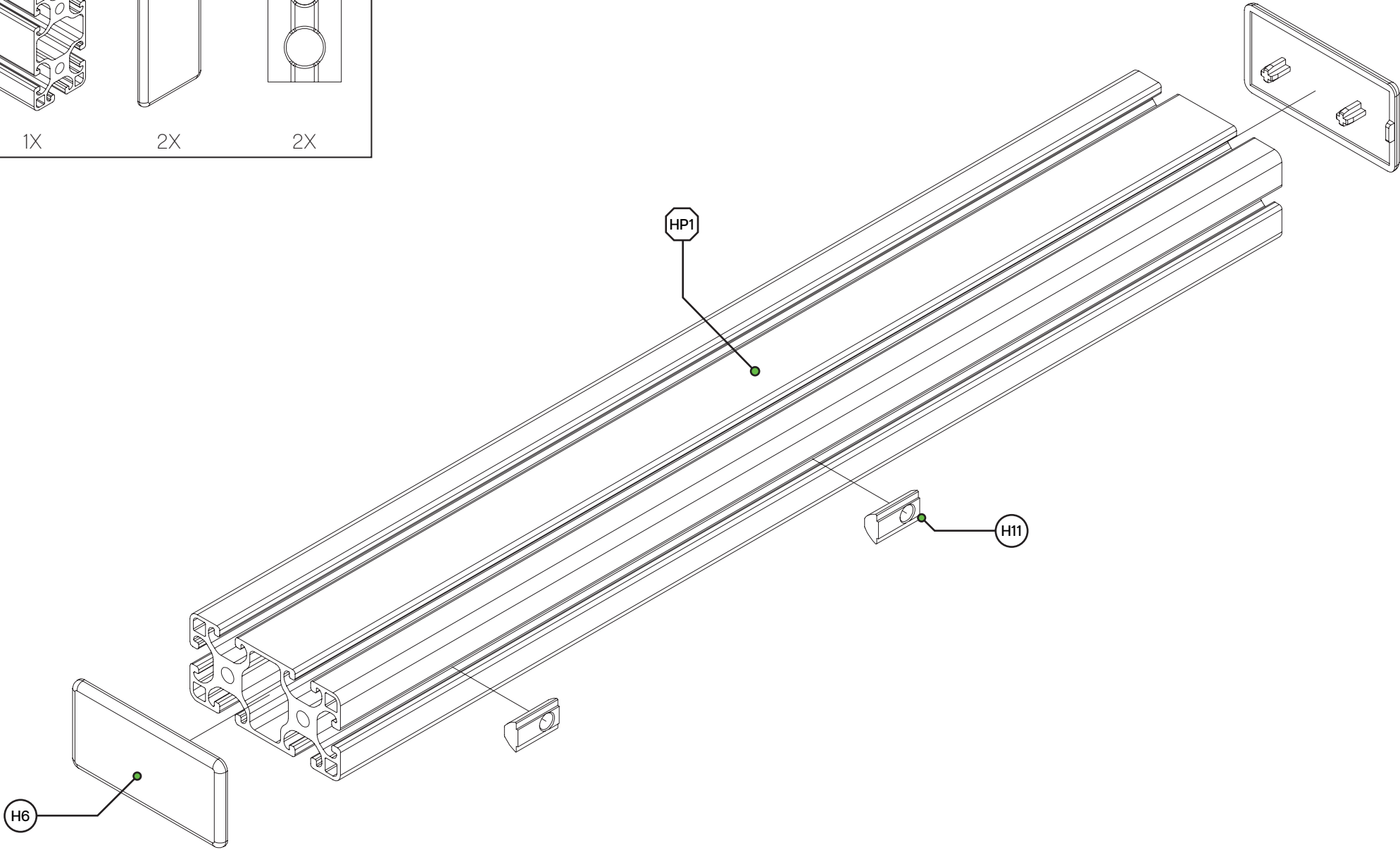


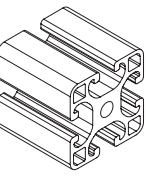
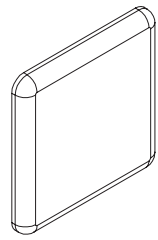
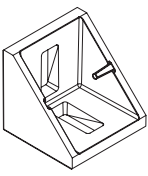
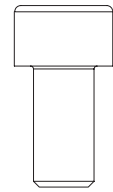
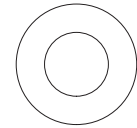
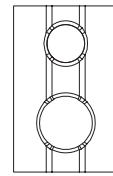
4X

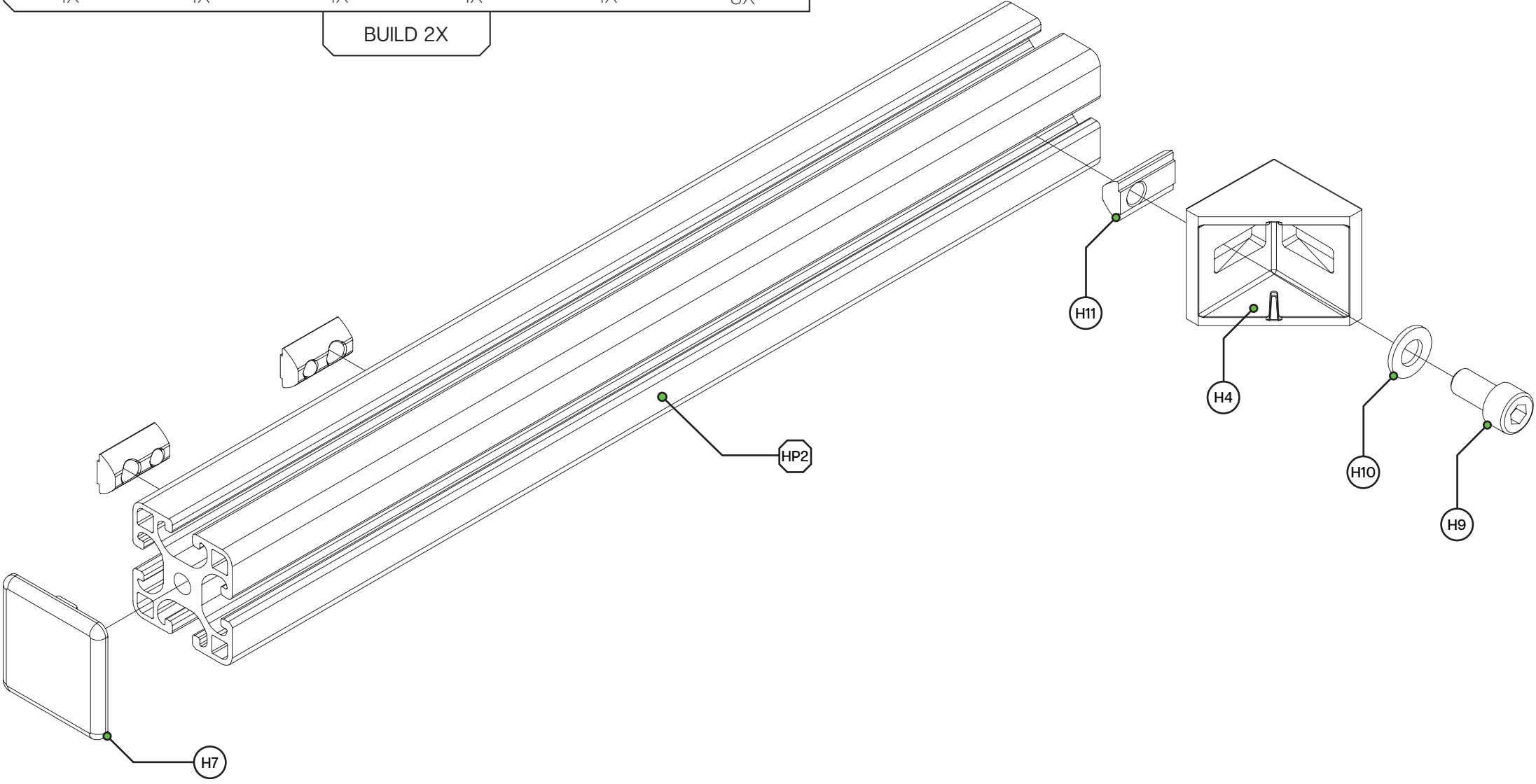
The wheel deck is not compatible with the DDU Mount.

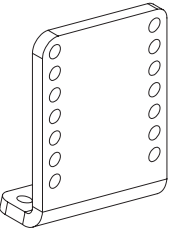
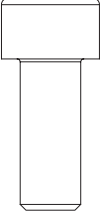
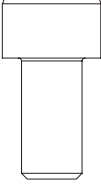
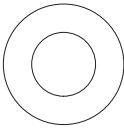
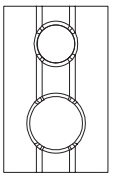


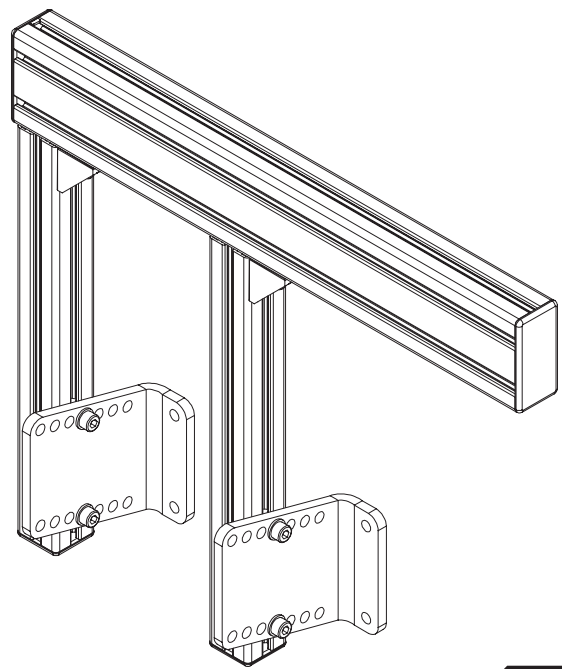
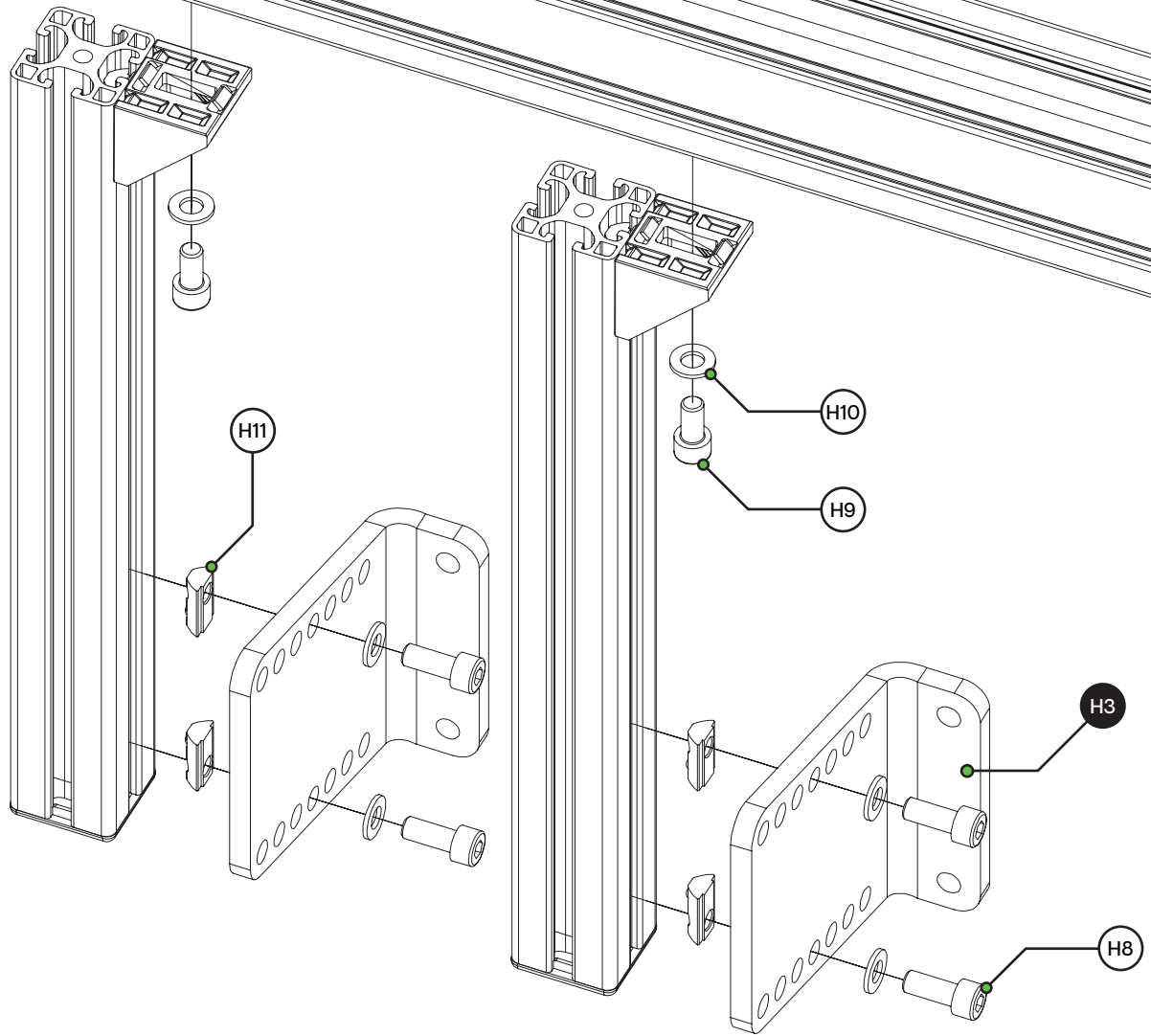
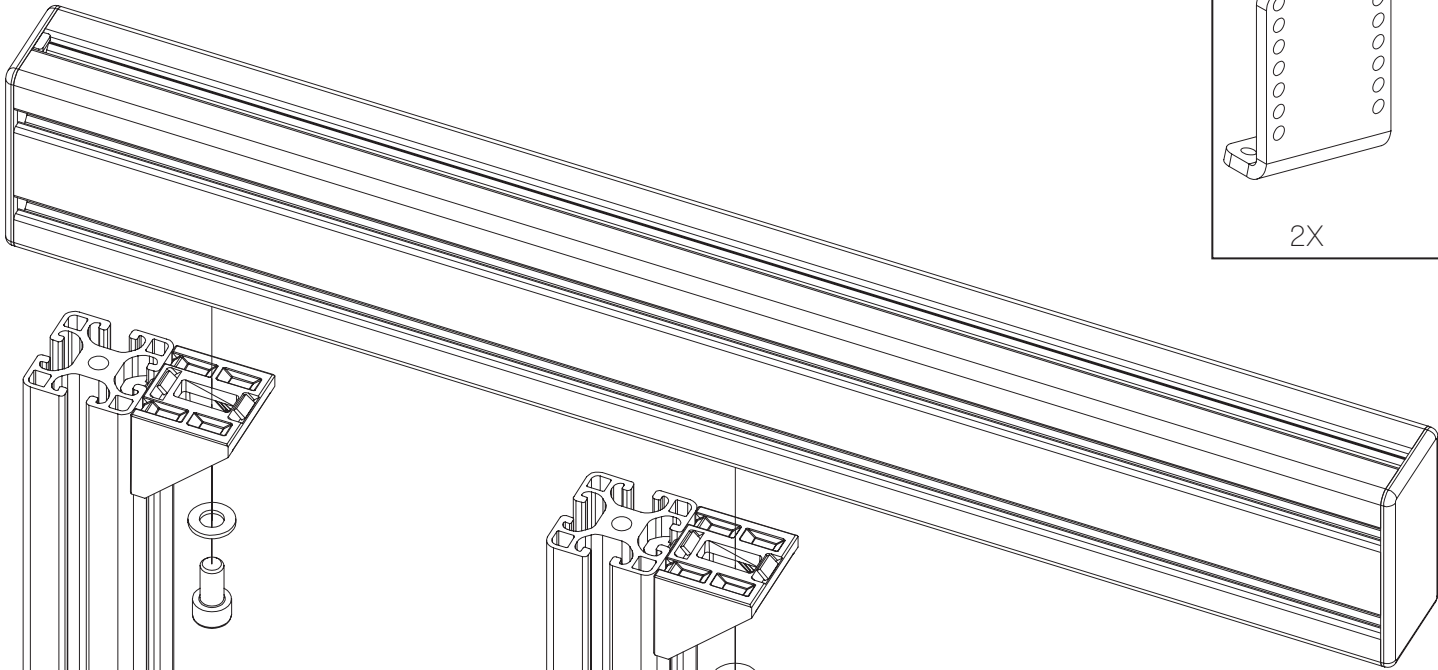
500MM	Profile 80X40 End-Cap	Slot-Nut M8
		
1X	2X	2X



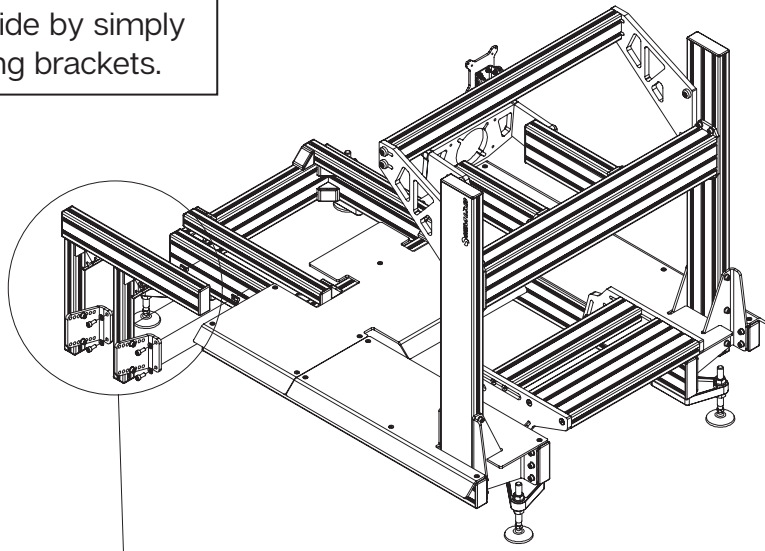
350MM	Profile 40X40 End-Cap	Corner Bracket	M8 X 16	Washer M8	Slot-Nut M8
					
1X	1X	1X	1X	1X	3X
BUILD 2X					

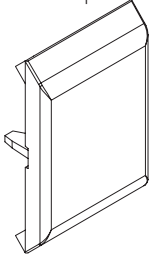
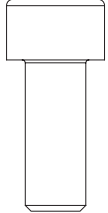
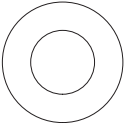
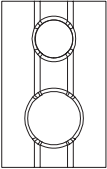


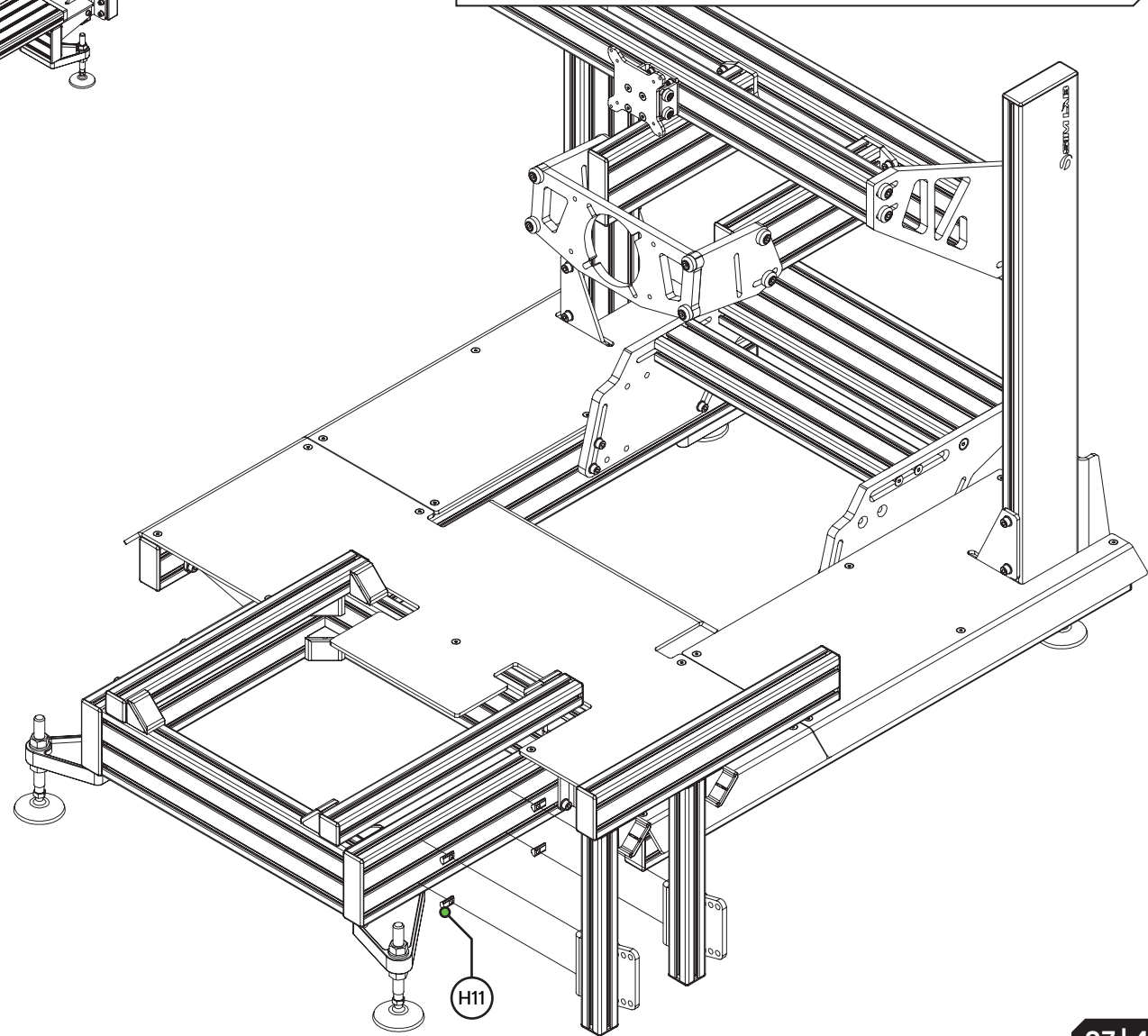
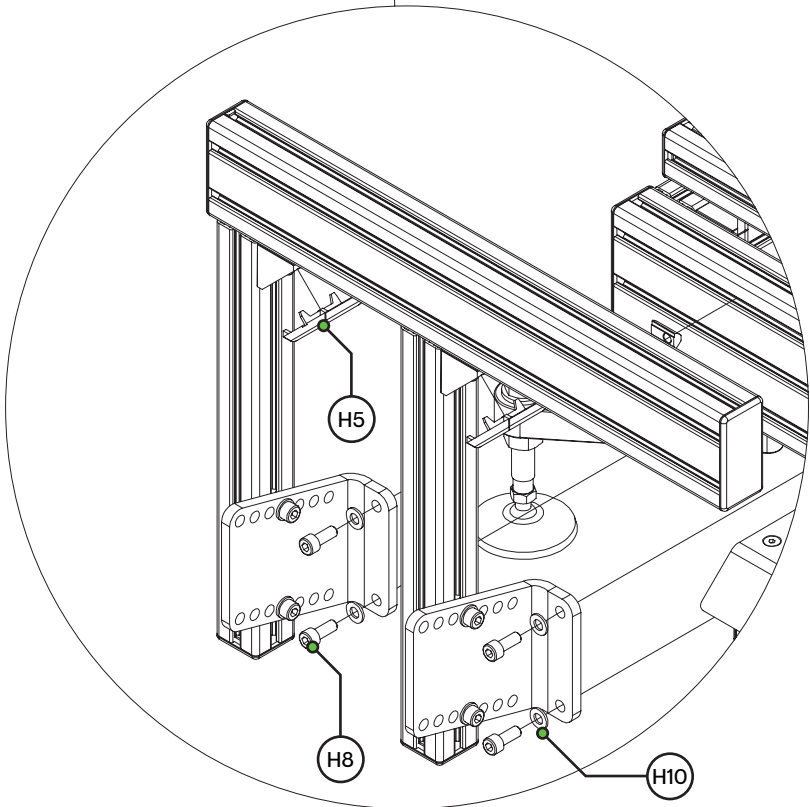
Side Mount Bracket	M8 X 20 (H10)	M8 X 16 (H9)	Washer M8	Slot-Nut M8
				
2X	4X	2X	6X	4X

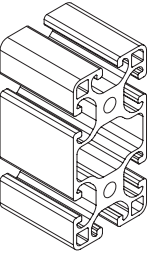
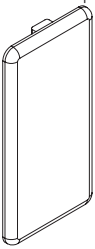
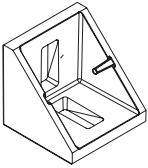
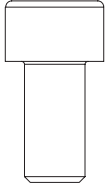
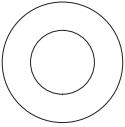
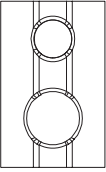


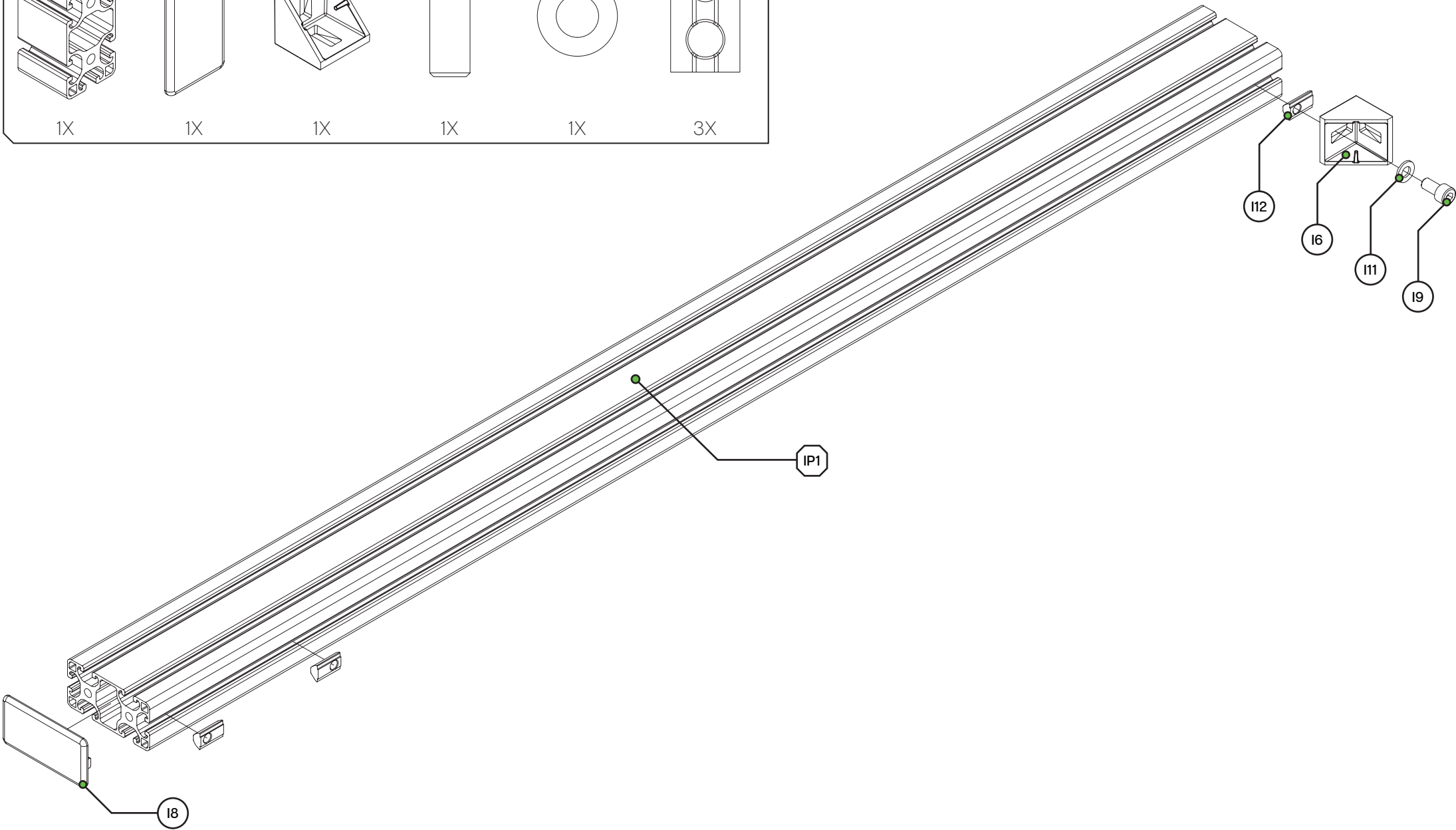
The Side Mount can also be fitted on the left side by simply rotating mounting brackets.

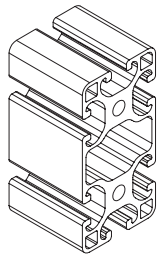
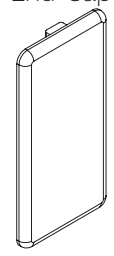
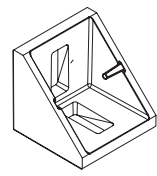
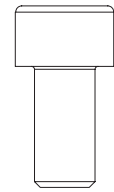
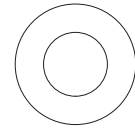
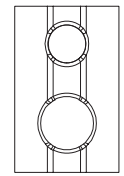


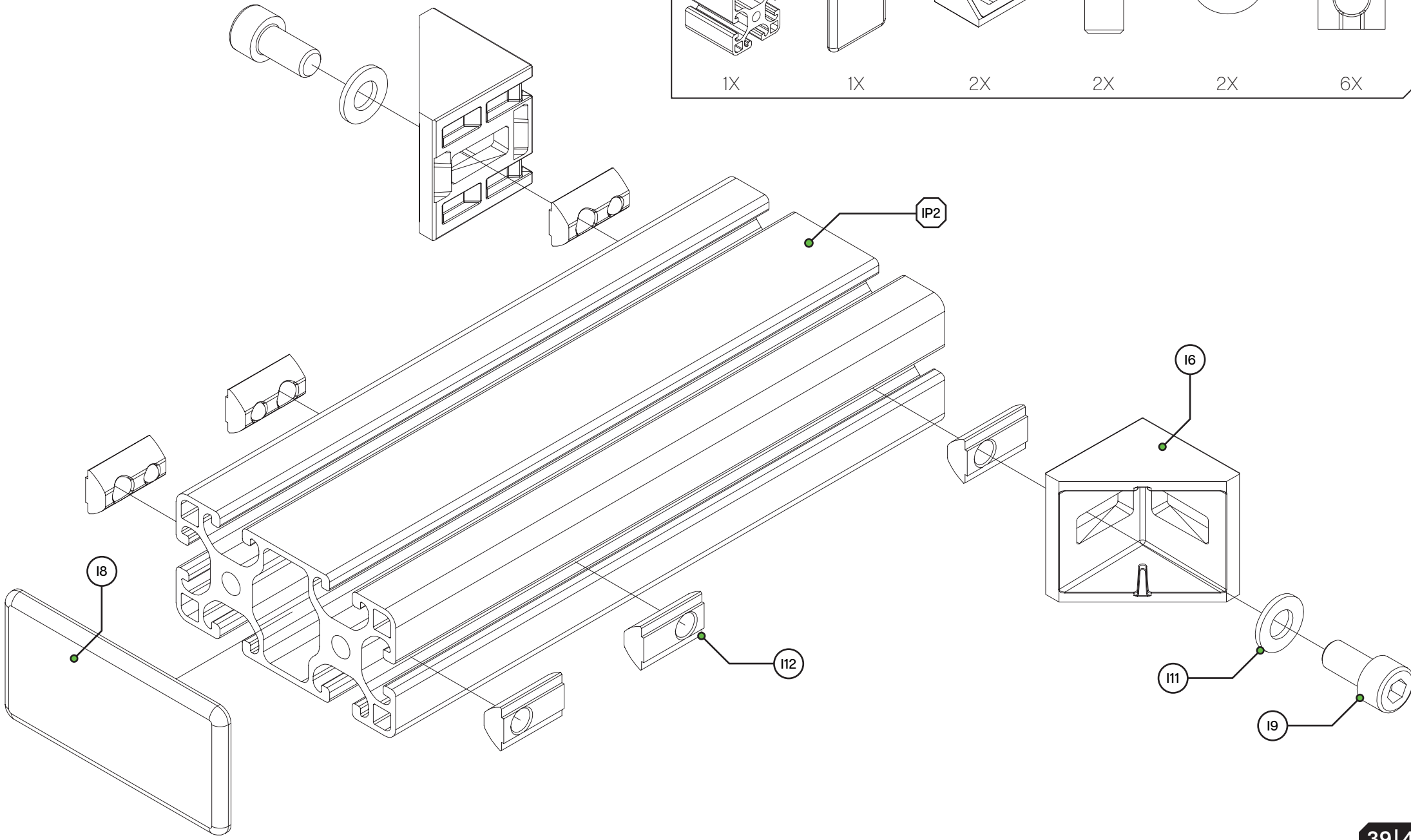
Corner Bracket Cap	M8 X 20	Washer M8	Slot-Nut M8
			
2X	4X	4X	4X

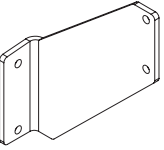
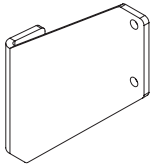
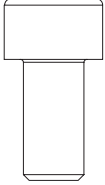
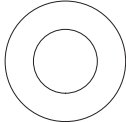
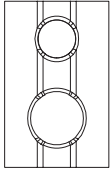


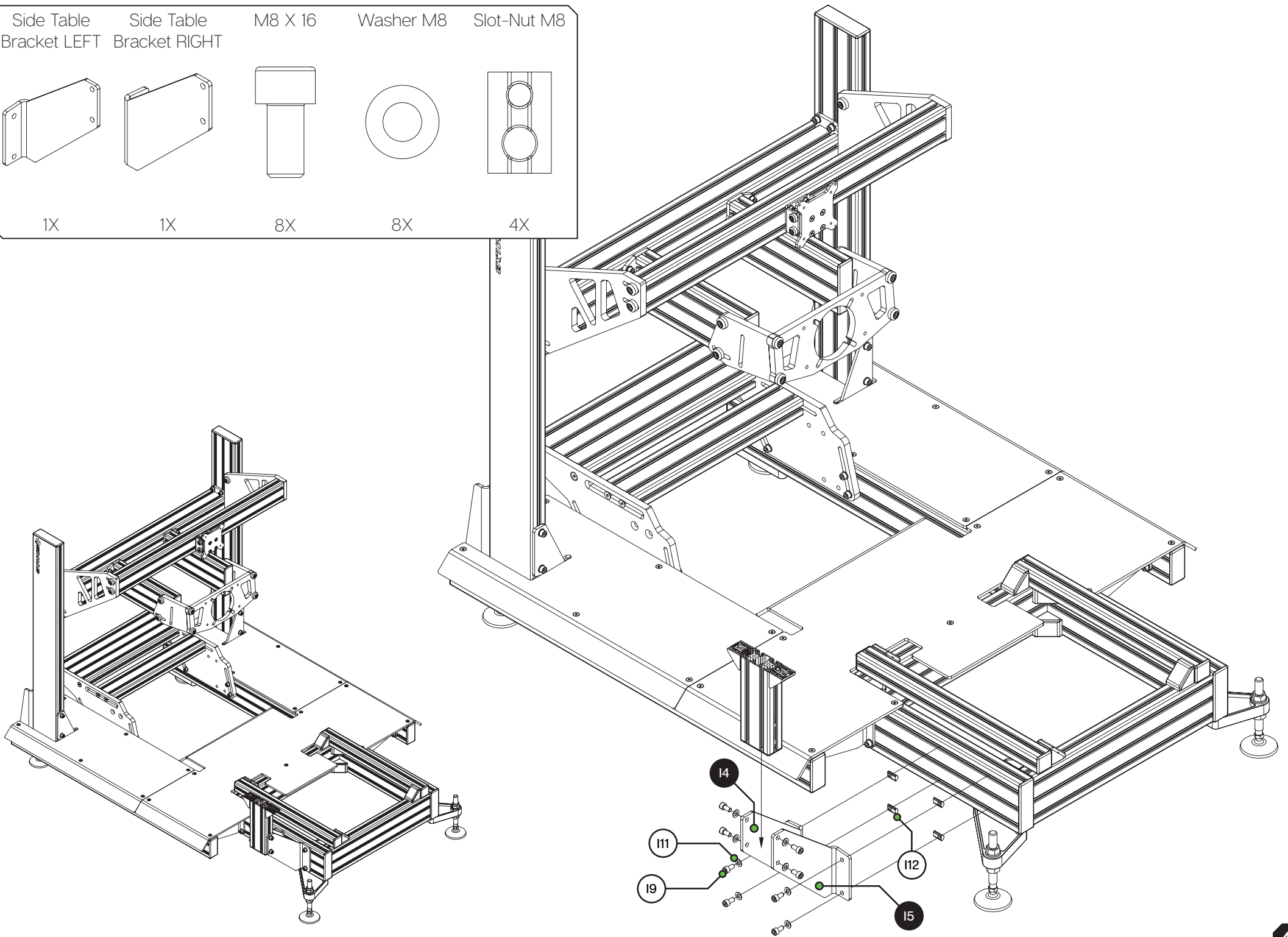
1100MM	Profile 80X40 End-Cap	Corner Bracket	M8 X 16	Washer M8	Slot-Nut M8
					
1X	1X	1X	1X	1X	3X

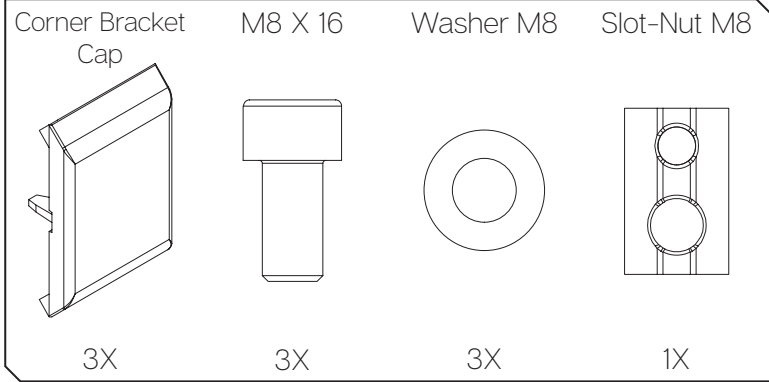


550MM	Profile 80X40 End-Cap	Corner Bracket	M8 X 16	Washer M8	Slot-Nut M8
					
1X	1X	2X	2X	2X	6X

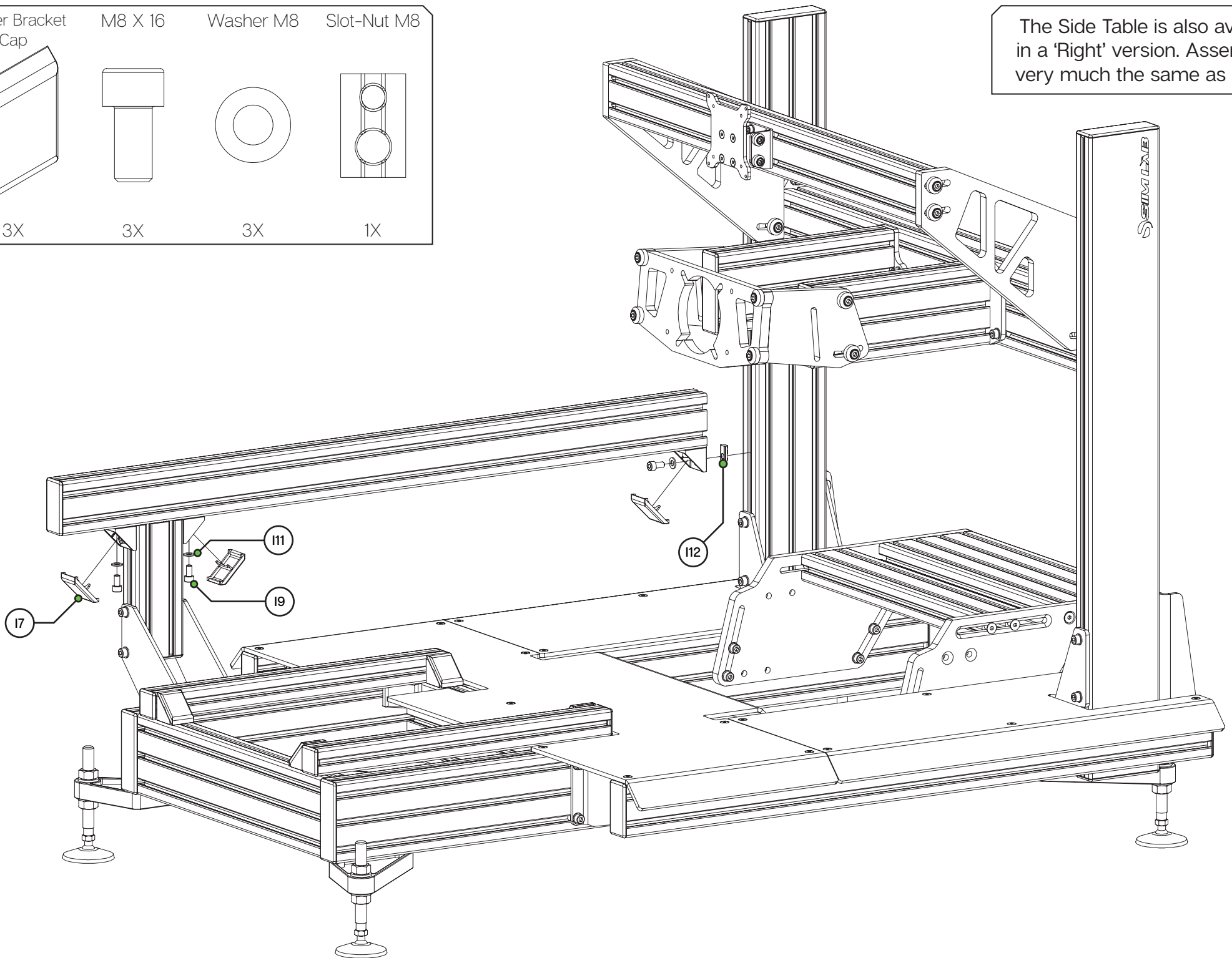


Side Table Bracket LEFT	Side Table Bracket RIGHT	M8 X 16	Washer M8	Slot-Nut M8
				
1X	1X	8X	8X	4X





The Side Table is also available in a 'Right' version. Assembly is very much the same as shown.

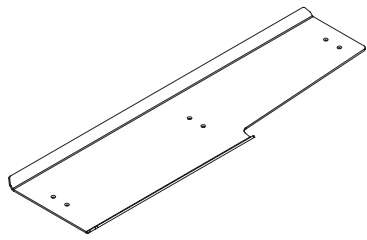


Side Table

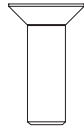
M6 X 16

Slot-Nut M6

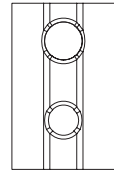
Lock-Nut M6



1X



6X

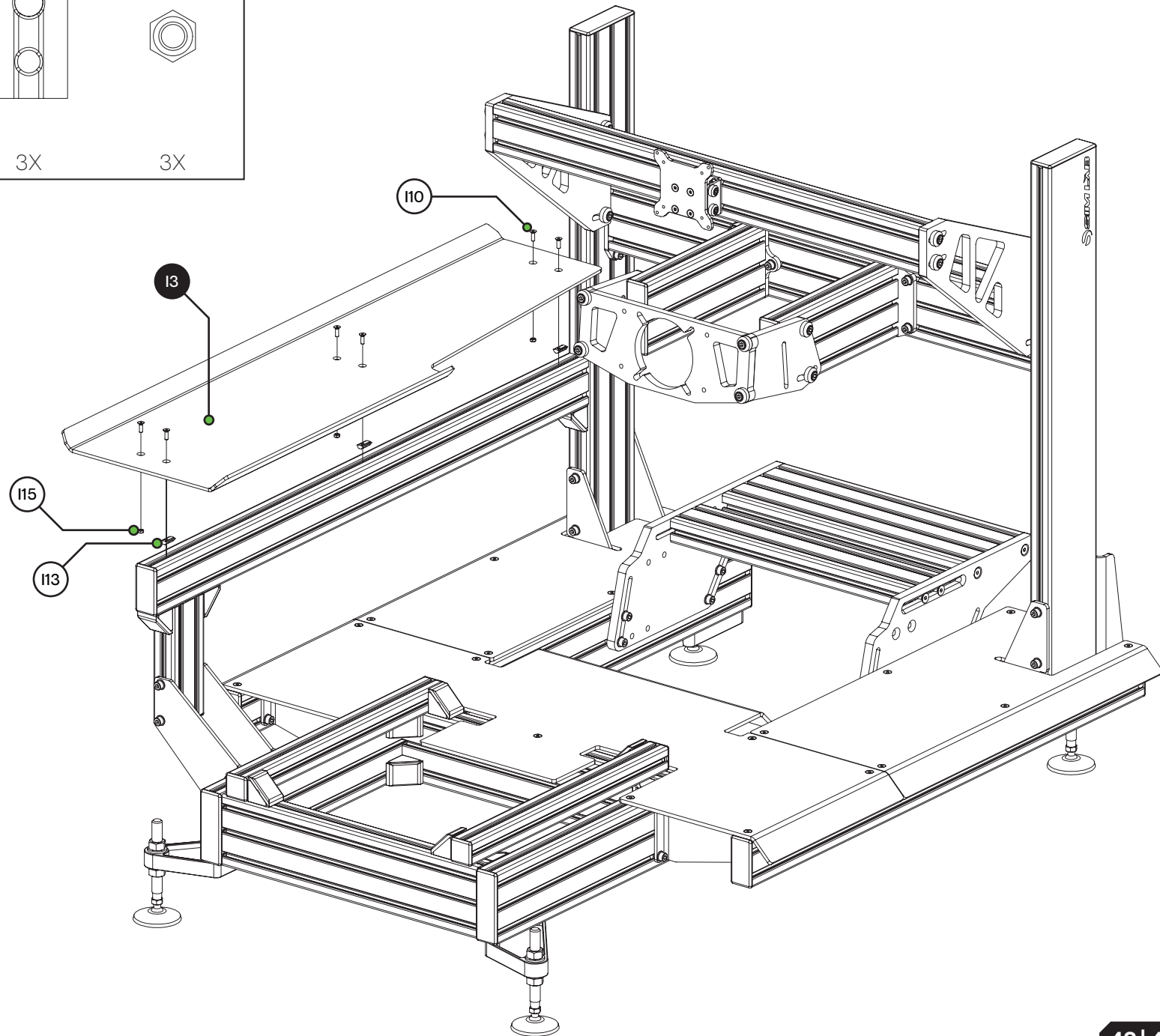


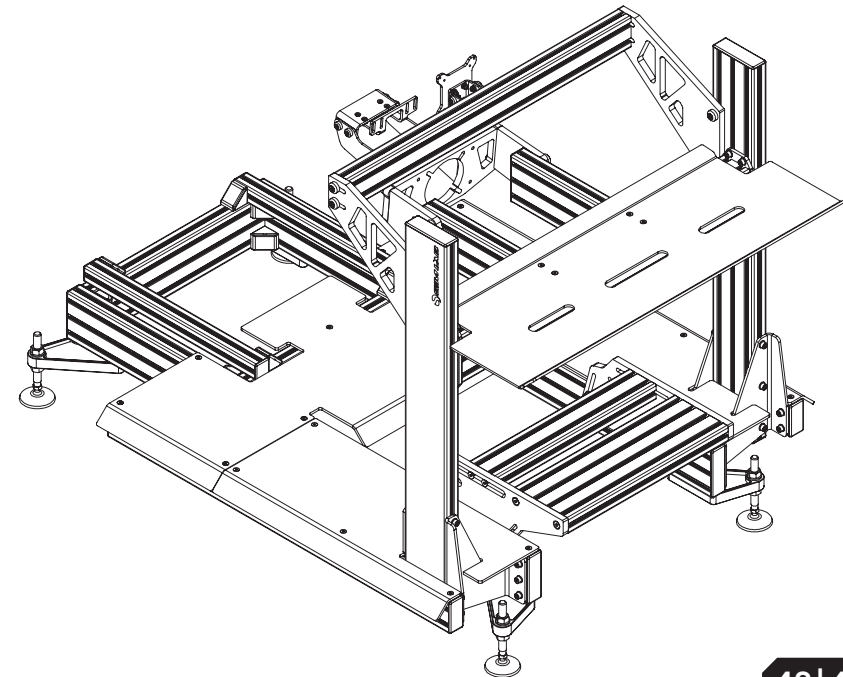
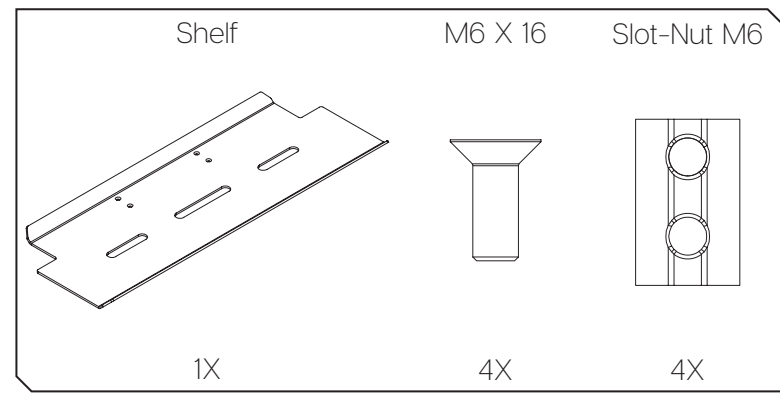
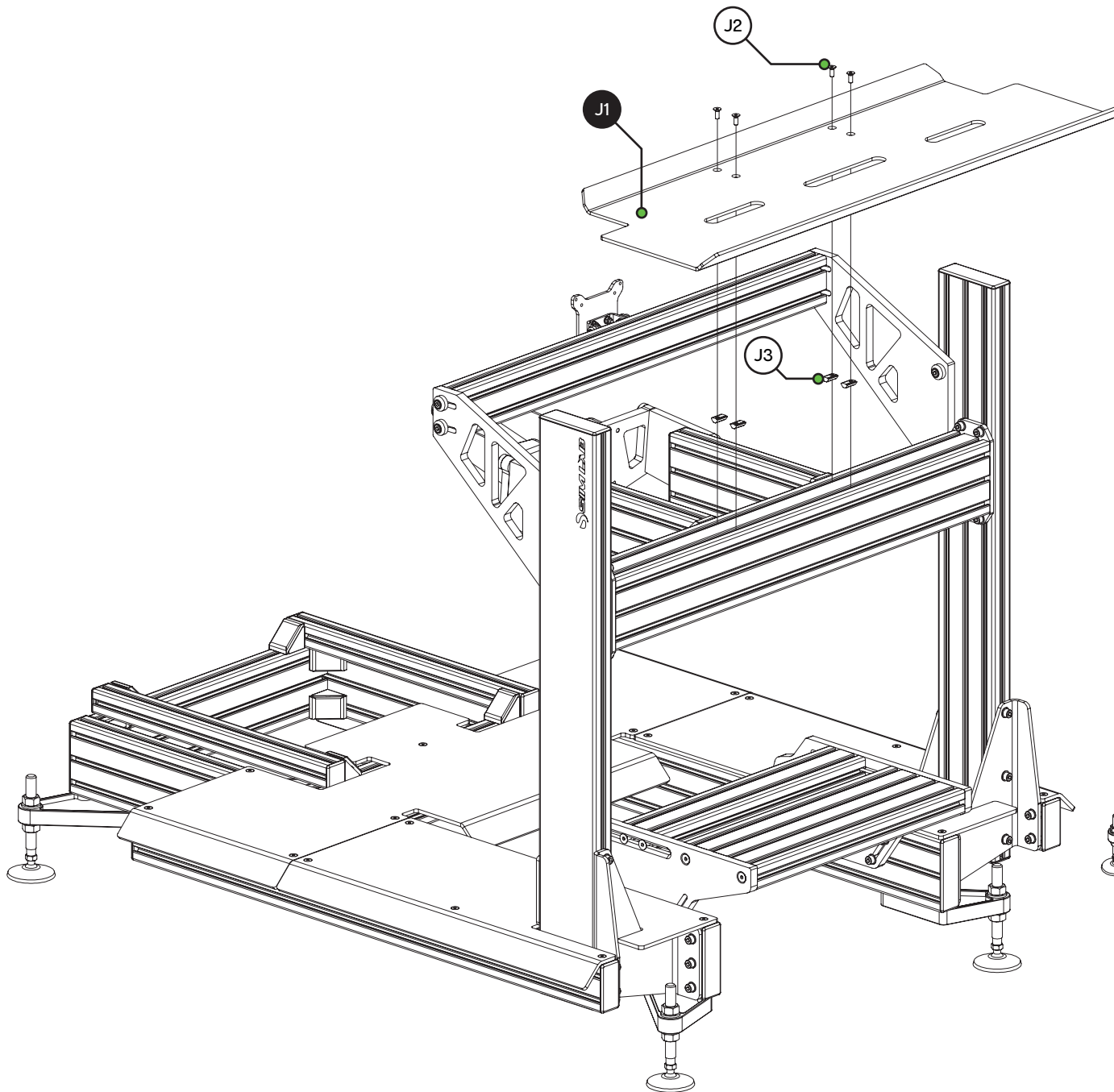
3X

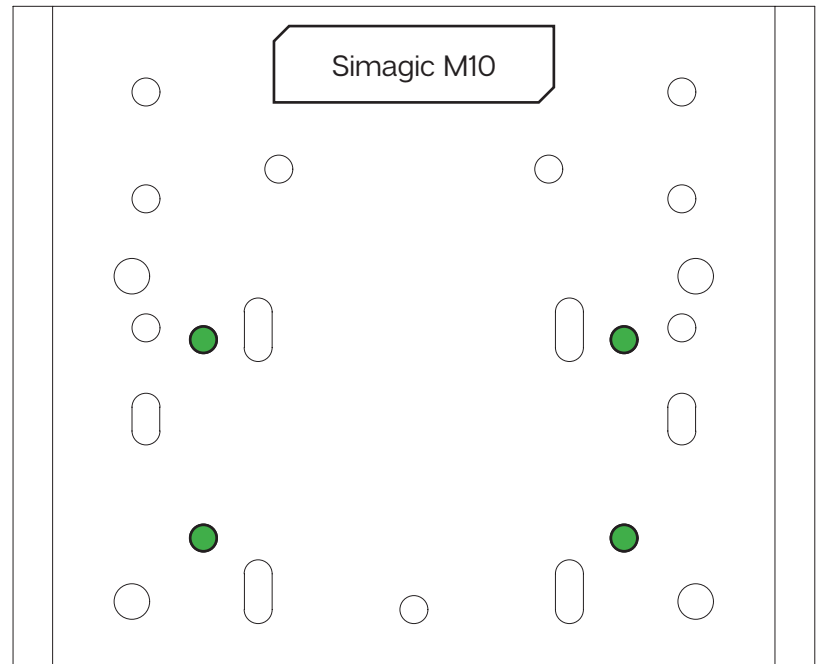
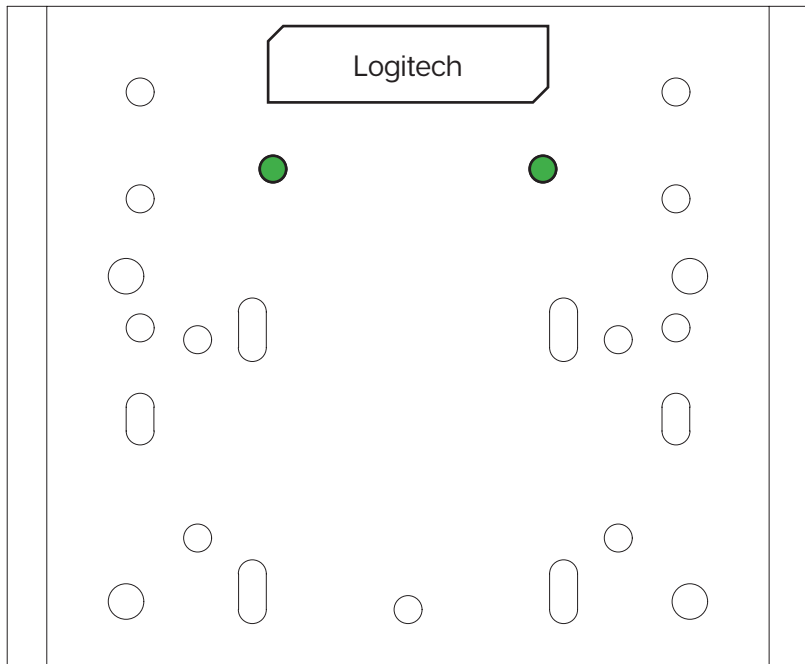
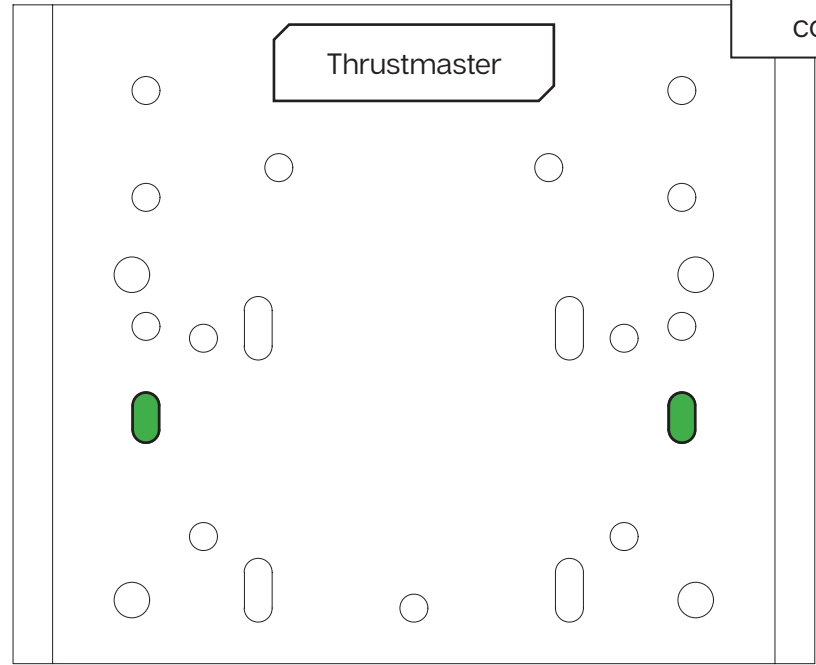
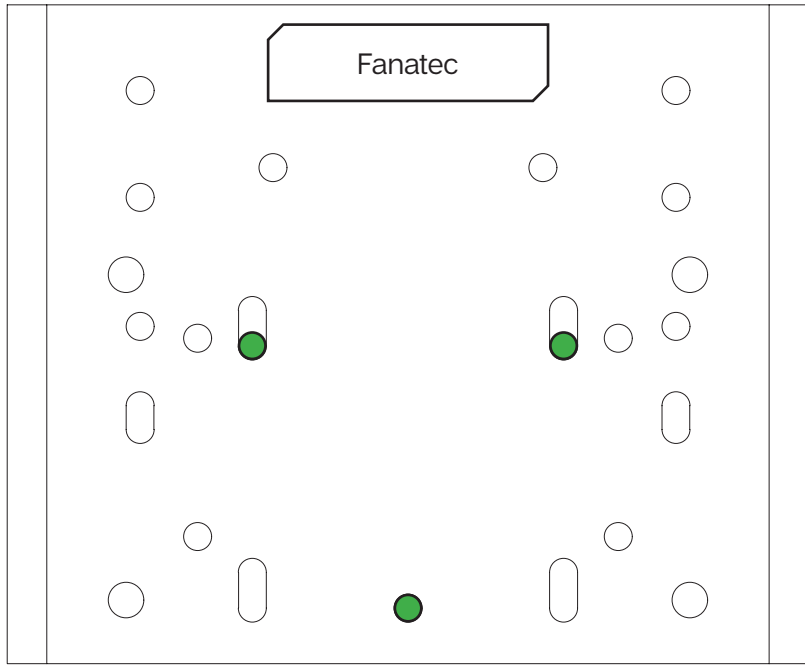


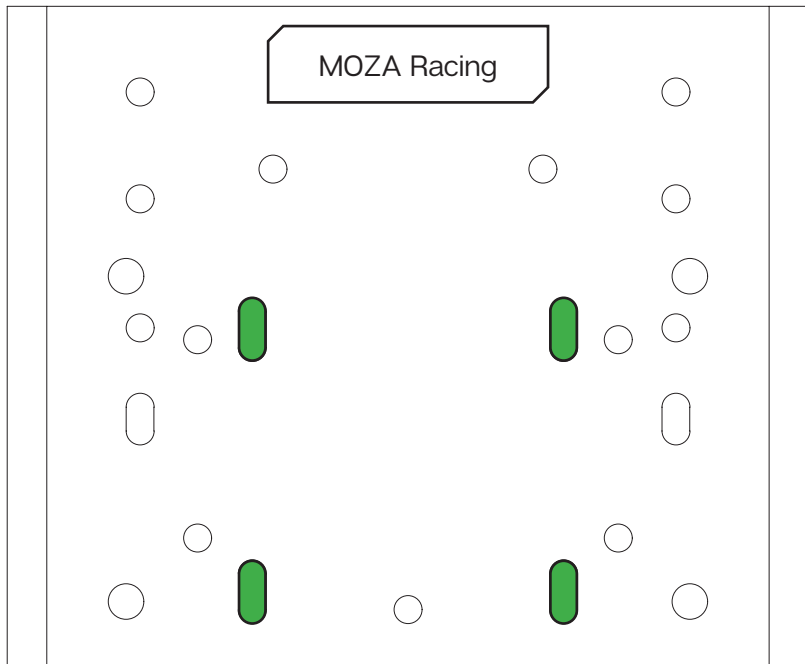
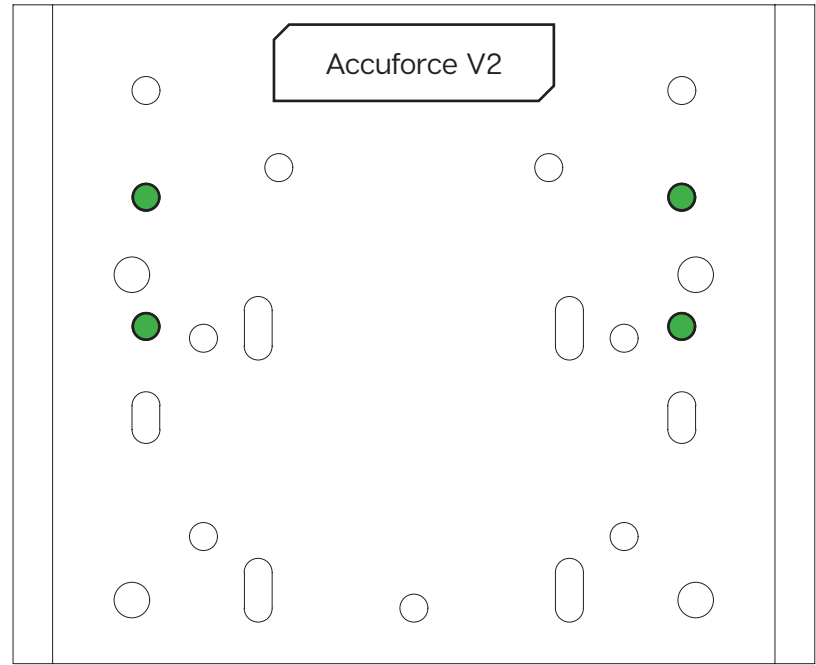
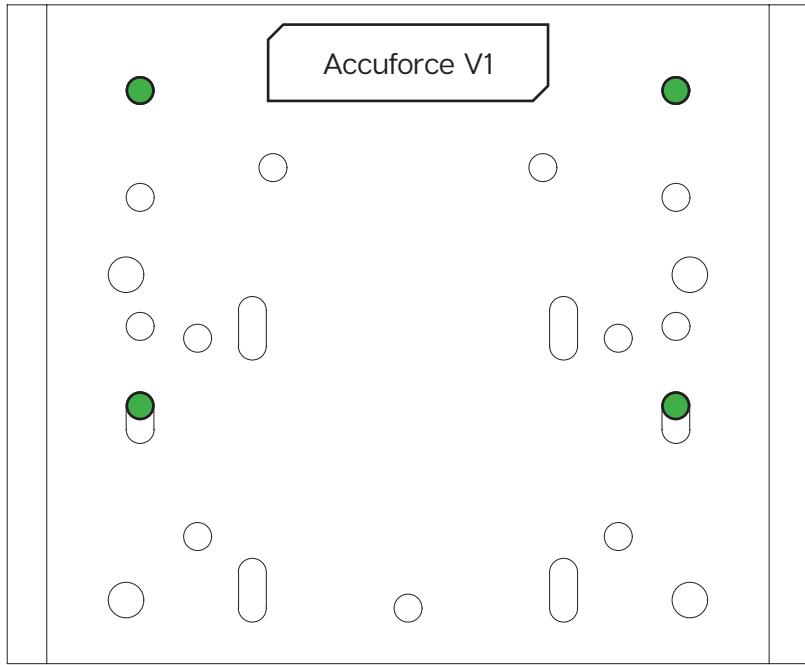
3X

The additional bolts and nuts are just 'vanity parts' to plug the otherwise empty holes.









**BOX A - X1-Pro Base
PROFILE KIT**

#	Part	QTY	Note
AP1	120X40 Length=1350mm	2	
AP2	120X40 Length=500mm	2	
AP3	40X40 Length=500mm	2	

HARDWARE KIT

A4	Corner bracket 40x40	12	
A5	Corner bracket 40x40 cap	12	
A6	Profile 120x40 end-cap	4	
A7	Profile 40x40 end-cap	4	
A8	Bolt M8 X 16 DIN 912	24	
A9	Washer M8 DIN 125-A	24	
A10	Slot-Nut M8	24	

**BOX B - X1-Pro Add-On
PROFILE KIT**

#	Part	QTY	Note
BP1	120X80 Length=848mm	1	
BP2	120X40 Length=260mm	2	To attach front mount.
BP3	120X40 3N Length=950mm	1	Left upright, engraved.
BP4	120X40 3N Length=950mm	1	Right upright, engraved.
BP5	80X40 Length=1000mm	2	
BP6	80X40 Length=834mm	1	Monitor cross-beam.

HARDWARE KIT

B7	Upright LF	1	
B8	Upright LR	1	
B9	Upright RF	1	
B10	Upright RR	1	
B11	Sandwich plate 120X80	2	
B12	Sandwich plate 120X40	2	

#	Part	QTY	Note
B13	Monitor side plate	2	
B14	Front mount	1	
B15	Front mount side plate	2	
B16	Monitor mount bracket	1	
B17	Monitor mount pivot	1	
B18	VESA plate	1	
B19	Profile 120x40 end-cap	6	
B20	Profile 80x40 end-cap	4	
B21	Bolt M8 X 30 DIN 912	16	
B22	Bolt M8 X 20 DIN 912	14	
B23	Bolt M8 X 16 DIN 912	24	
B24	Bolt M6 X 20 DIN 912	4	
B25	Bolt M6 X 16 DIN 912	4	
B26	Bolt M8 X 20 DIN 7991	12	Countersunk.
B27	Bolt M6 X 20 DIN 7991	4	Countersunk.
B28	Cap-Washer M8	16	
B29	Cap-Washer M6	4	
B30	Washer M8 DIN 125-A	38	
B31	Washer M6 DIN 125-A	12	
B32	Washer M8 DIN 988	16	Used with M8 cap-washers.
B33	Lock-Nut M6	8	
B34	Slot-Nut M8	46	
B35	Slot-Nut M6	4	
B36	Cross cable binder block	10	

Disclaimer: for some entries on this page, we supply more than required as spare materials. Don't worry if you have some leftovers, this is intentional.

**BOX C - Sim Feet
HARDWARE KIT**

#	Part	QTY	Note
C1	Foot support plate	4	
C2	Foot	4	Threaded ball-joint rod fitted.
C3	Bolt M8 X 25 DIN 912	8	
C4	Washer M16 DIN 125-A	8	
C5	Nut M16	8	4 pre-fitted.
C6	Slot-Nut M8	8	

**BOX E - Floor
HARDWARE KIT**

#	Part	QTY	Note
E1	Floor	1	
E2	Floor LEFT	1	
E3	Floor RIGHT	1	
E4	Floor support LEFT	1	
E5	Floor support RIGHT	1	
E6	Bolt M8 X 16 DIN 912	16	
E7	Bolt M6 X 16 DIN 7991	21	Countersunk.
E8	Washer M8 DIN 125-A	16	
E9	Slot-Nut M8	16	
E10	Slot-Nut M6	21	

**BOX D - Pedal Tray
PROFILE KIT**

#	Part	QTY	Note
DP1	160X40 Length=470mm	1	
DP2	80X40 Length=470mm	1	

HARDWARE KIT

D3	Pedal plate LEFT	1	
D4	Pedal plate RIGHT	1	
D5	Bolt M8 X 25 DIN 912	8	
D6	Bolt M6 X 16 DIN 912	12	Extra.
D7	Bolt M5 X 16 DIN 912	12	Extra.
D8	Bolt M8 X 25 DIN 7991	8	Countersunk.
D9	Washer M8 DIN 125-A	8	
D10	Slot-Nut M8	8	
D11	Slot-Nut M6	12	Extra.
D12	Slot-Nut M5	12	Extra.

**BOX F - DDU Mount (optional installation, extension required)
HARDWARE KIT**

#	Part	QTY	Note
F1	DDU mount bracket	1	
F2	DDU mount bridge	1	
F3	DDU mount holder LEFT	1	
F4	DDU mount holder RIGHT	1	
F5	Bolt M6 X 30 DIN 912	4	
F6	Bolt M6 X 20 DIN 912	4	
F7	Bolt M5 X 16 DIN 7991	4	Countersunk.
F8	Cap-Washer M6	4	
F9	Washer M6 DIN 125-A	12	
F10	Washer M5 DIN 125-A	4	
F11	Lock-Nut M6	8	
F12	Lock-Nut M5	4	

Disclaimer: for some entries on this page, we supply more than required as spare materials. Don't worry if you have some leftovers, this is intentional.

BOX G - Wheel Deck (optional purchase)**HARDWARE KIT**

#	Part	QTY	Note
G1	Wheel deck	1	
G2	Bolt M8 X 20 DIN 912	4	
G3	Bolt M8 X 16 DIN 912	4	Extra.
G4	Bolt M6 X 16 DIN 912	4	Extra.
G5	Washer M8 DIN 125-A	12	Extra.
G6	Washer M6 DIN 125-A	4	Extra.
G7	Lock-Nut M8	4	Extra.
G8	Lock-Nut M6	4	Extra.

BOX H - Side Mount (optional purchase)**PROFILE KIT**

#	Part	QTY	Note
HP1	80X40 Length=500mm	1	
HP2	40X40 Length=350mm	2	

HARDWARE KIT

#	Part	QTY	Note
H3	Side mount bracket	2	
H4	Corner bracket 40x40	2	
H5	Corner bracket 40x40 cap	2	
H6	Profile 80x40 end-cap	2	
H7	Profile 40x40 end-cap	2	
H8	Bolt M8 X 20 DIN 912	8	
H9	Bolt M8 X 16 DIN 912	4	
H10	Washer M8 DIN 125-A	12	
H11	Slot-Nut M8	12	

BOX I - Side Table (optional purchase, left or right version)**PROFILE KIT**

#	Part	QTY	Note
IP1	80X40 Length=1100mm	1	
IP2	80X40 Length=200mm	1	

BOX I - Side Table (optional purchase, left or right version)**HARDWARE KIT**

#	Part	QTY	Note
I3	Side table	1	
I4	Side table bracket LEFT	1	
I5	Side table bracket RIGHT	1	
I6	Corner bracket 40x40	3	
I7	Corner bracket 40x40 cap	3	
I8	Profile 80x40 end-cap	2	
I9	Bolt M8 X 16 DIN 912	14	
I10	Bolt M6 X 16 DIN 7991	6	Countersunk.
I11	Washer M8 DIN 125-A	14	
I12	Slot-Nut M8	14	
I13	Slot-Nut M6	3	
I14	Lock-Nut M6	3	

BOX J - Shelf (optional purchase)**HARDWARE KIT**

#	Part	QTY	Note
J1	Shelf	1	Place your PC.
J2	Bolt M6 X 16 DIN 7991	4	
J3	Slot-Nut M6	4	

BOX K - Steering Wheel Extension (optional installation on wheel shaft)**HARDWARE KIT**

#	Part	QTY	Note
K1	Steering wheel extension 120mm	1	Use with MIGE, CS, VRS etc.
K2	Bolt M5 X 20 DIN 912	12	
K3	Lock-Nut M5	12	

Disclaimer: for some entries on this page, we supply more than required as spare materials. Don't worry if you have some leftovers, this is intentional.

If you still have some questions regarding assembly of this product or about the manual itself, please refer to our support department. They can be reached at

support@sim-lab.eu

Alternatively, we now have a Discord server where there are quite some experienced Sim-Lab customers hanging out. They might just help you along if you ask them nicely ;)

www.sim-lab.eu/discord

If you feel like printing this manual, please consider the environment before doing so. For the best results, make sure you print at 100% scale without borders.

[Product page on the Sim-Lab website:](#)

