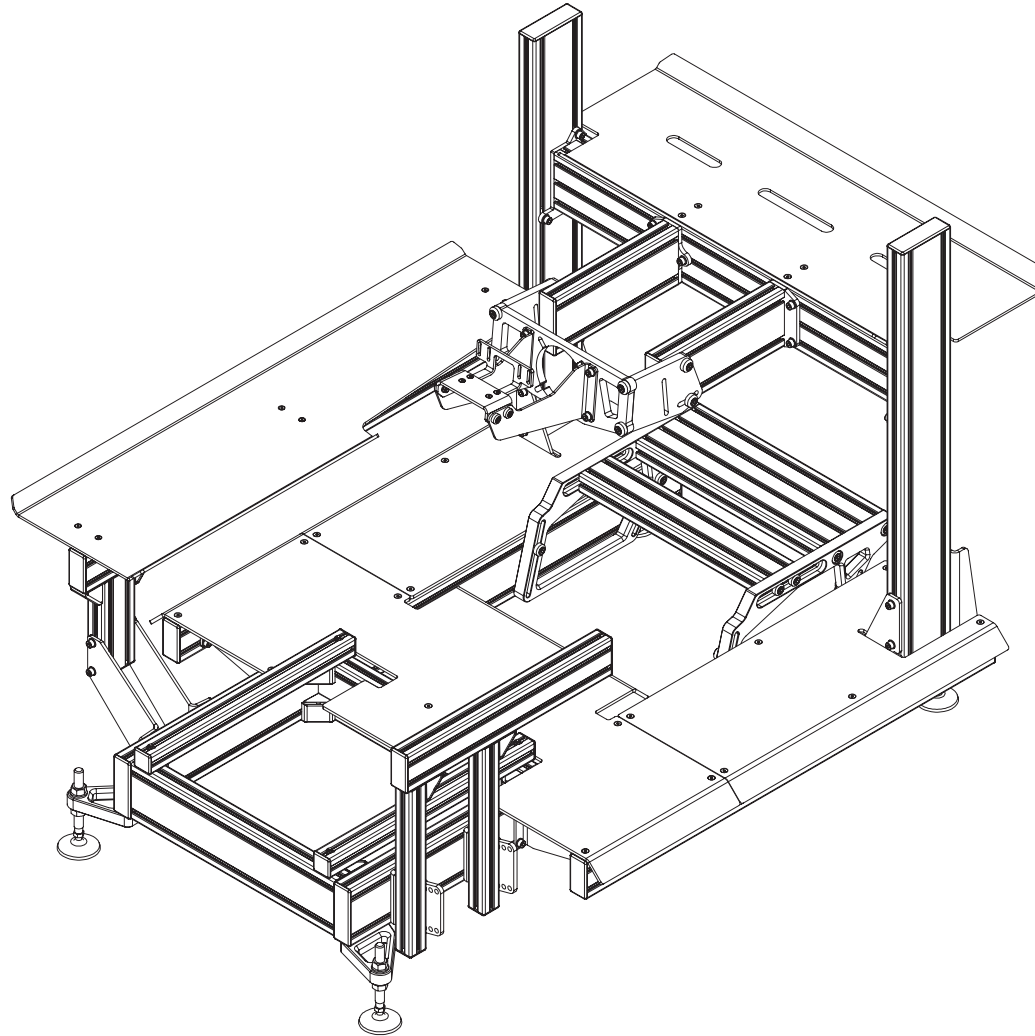


SIM LAB

INSTRUCTION MANUAL



X1-PRO COCKPIT
VERSION 1.5
Last updated: 05-10-2023

BEFORE YOU START:

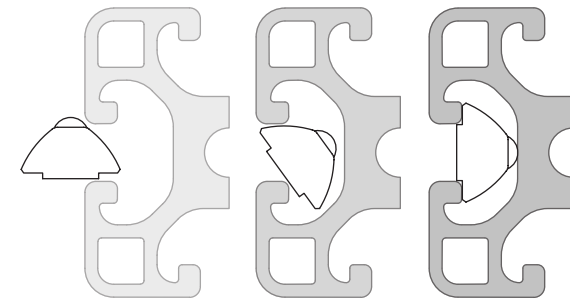
Thank you for purchasing this Sim-Lab product! On the following pages, you will find detailed instructions on assembly. This requires only a set of simple tools and some of your time. Please check the bill of materials before starting (pages 41-43) and make sure all the parts are delivered.

Since this is our most feature rich cockpit so far, for some parts of assembly we urge you to get some assistance. Especially when turning over the base and fitting the uprights, an extra pair of hands really does come in handy.

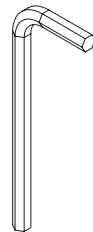
For current P1-X users who purchased an X1 upgrade kit, please skip to Page 12. Remove the P1-X uprights and possibly the side mount, and you can follow along with this manual.

Inserting Slot-Nuts:

You got excited, finished the build, put the caps on, but forgot to install one element. Do not worry. It happens to everyone. In this diagram, you can see how to insert a Slot-Nut directly into the slot from the side. You can also use one of your smaller Hex wrenches to help wiggle the Slot-Nut in place.



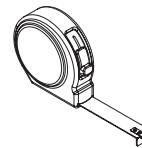
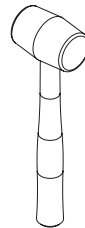
Tools needed:

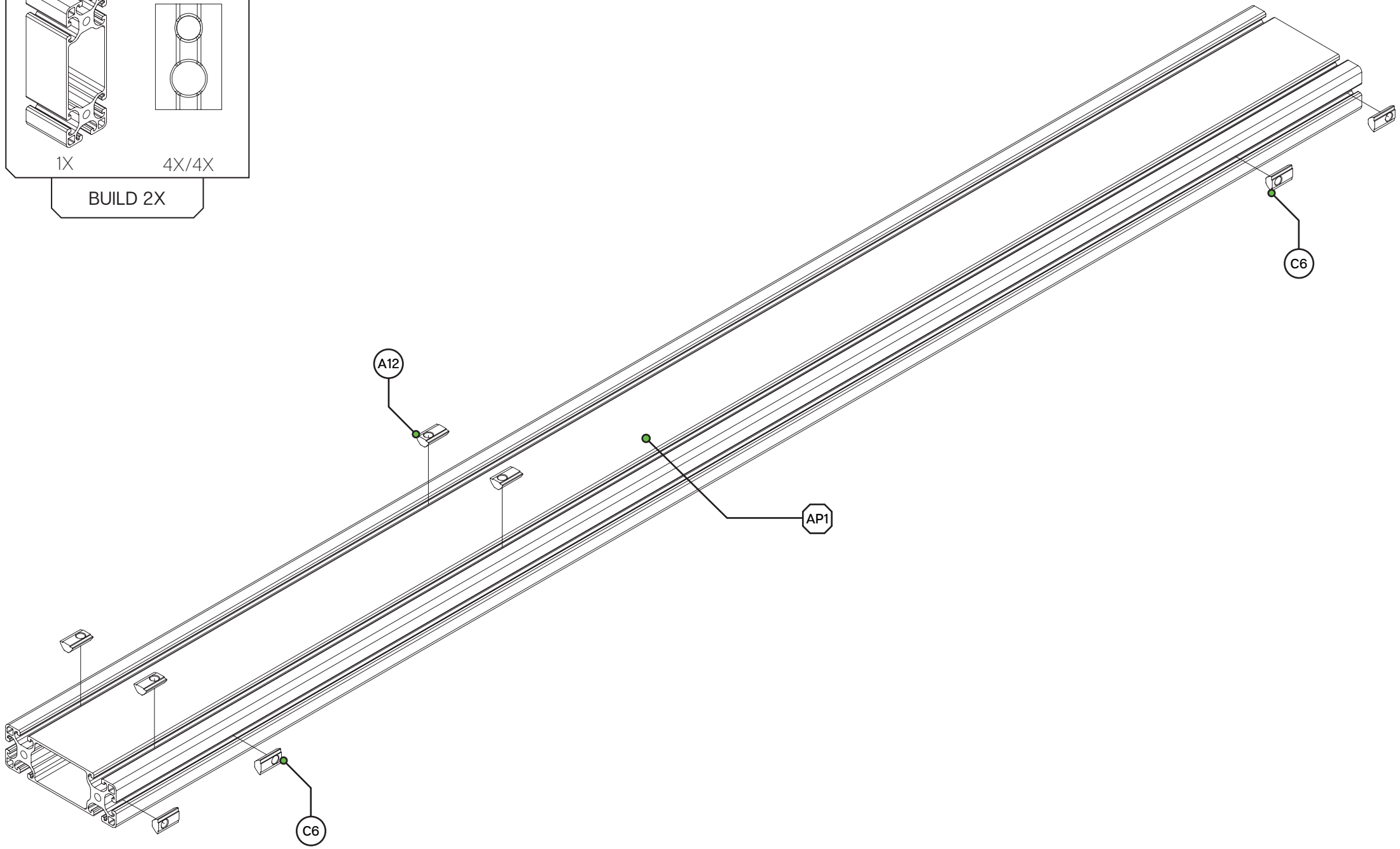
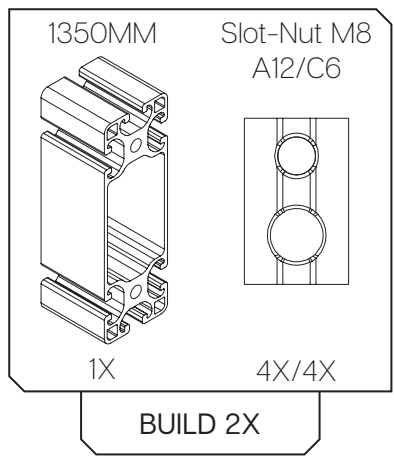


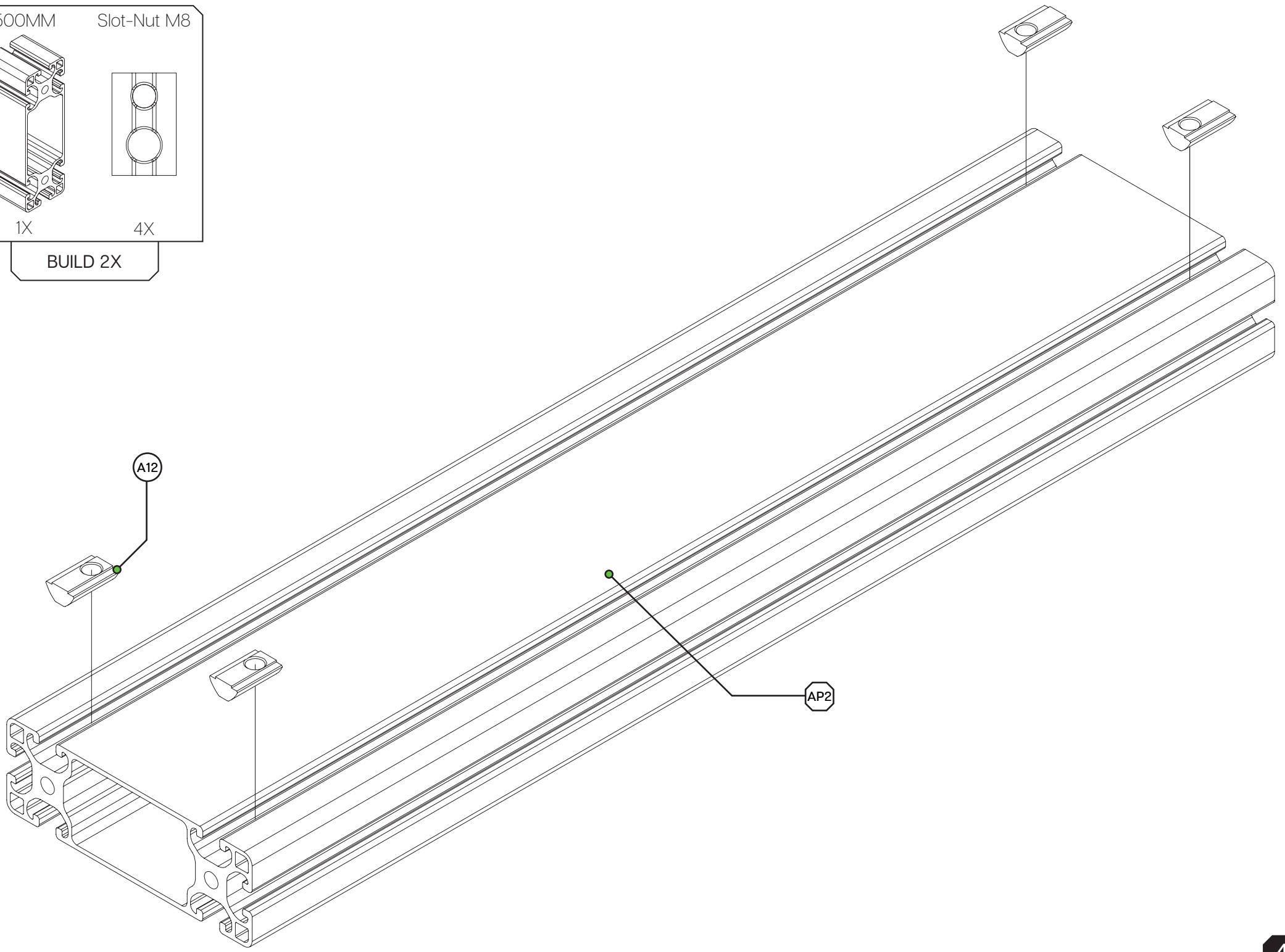
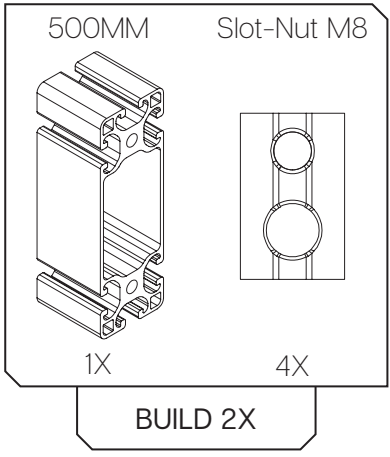
3/4/5/6MM



8/10/24MM



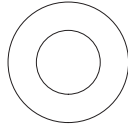
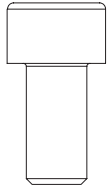
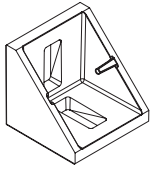




Corner
Bracket

M8 X 16

Washer M8

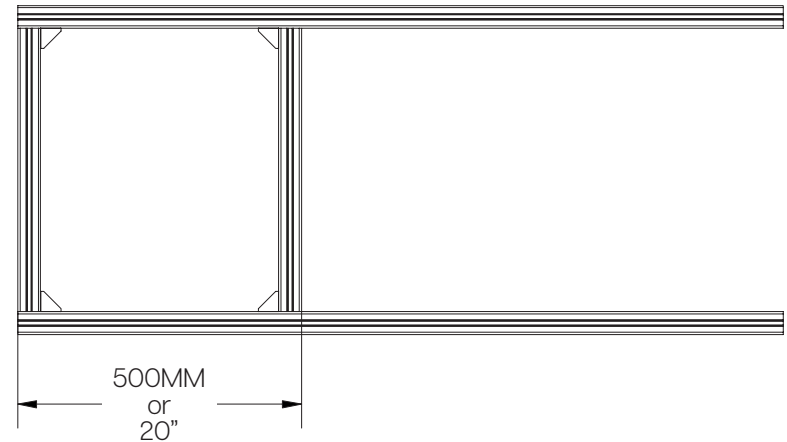
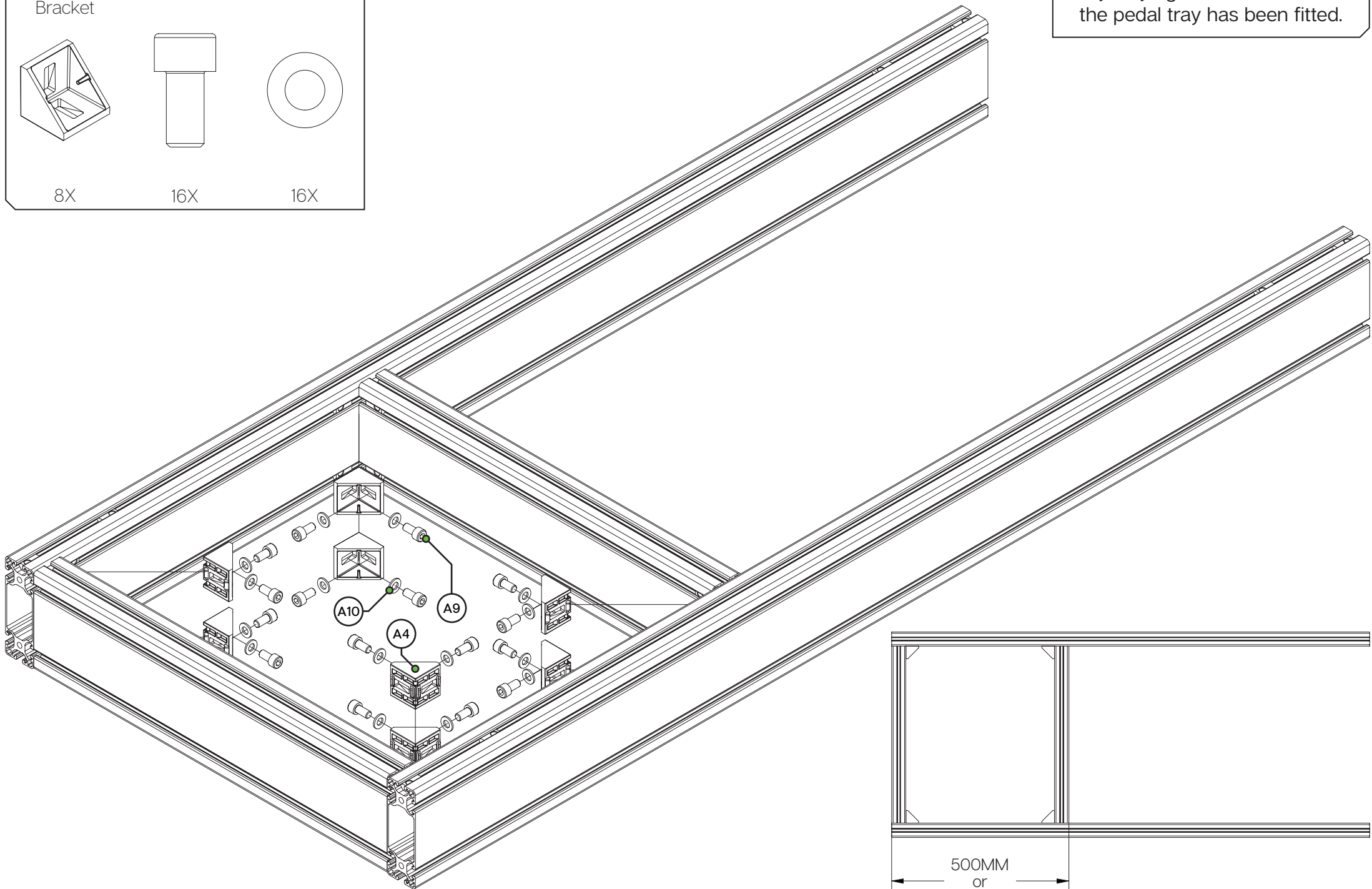


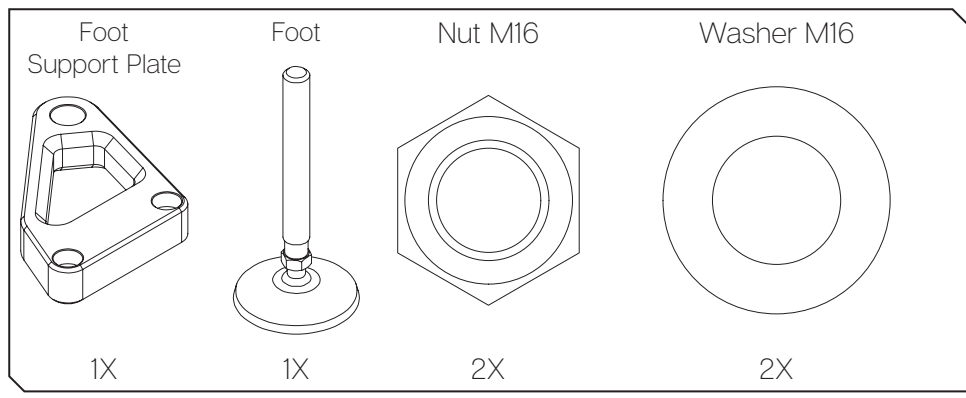
8X

16X

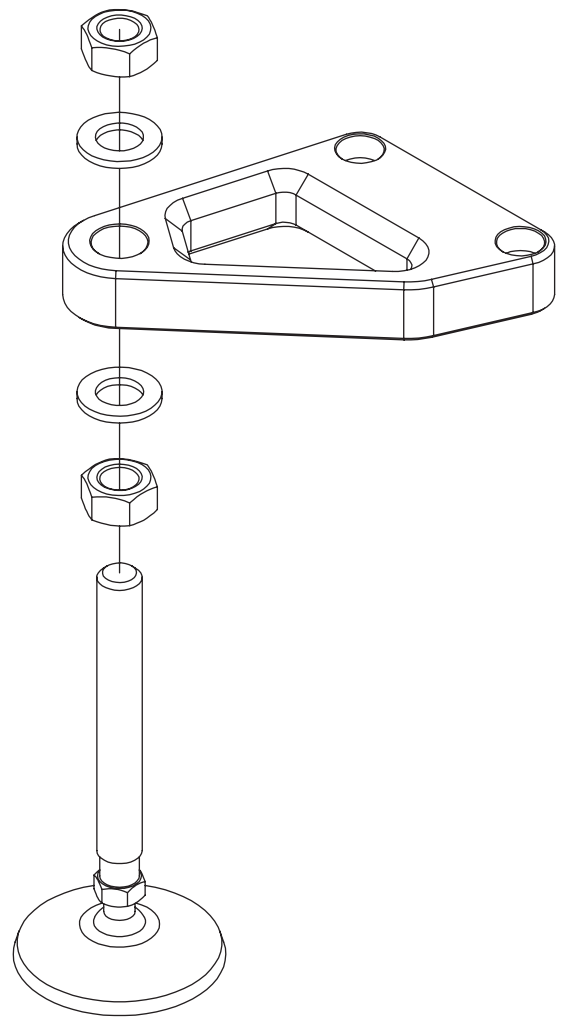
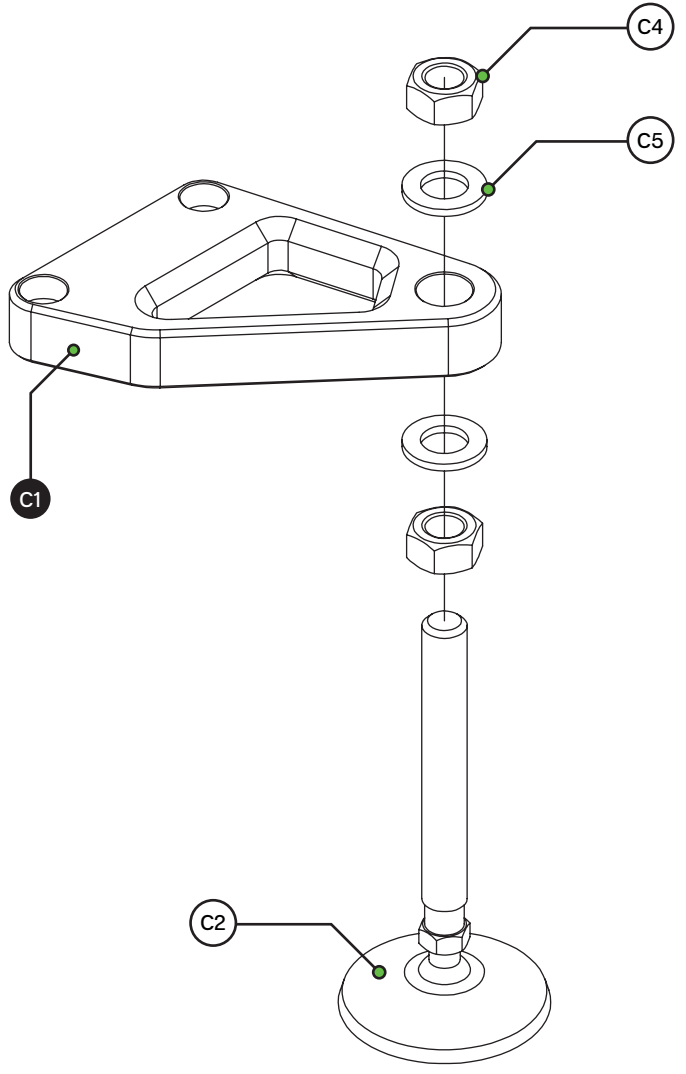
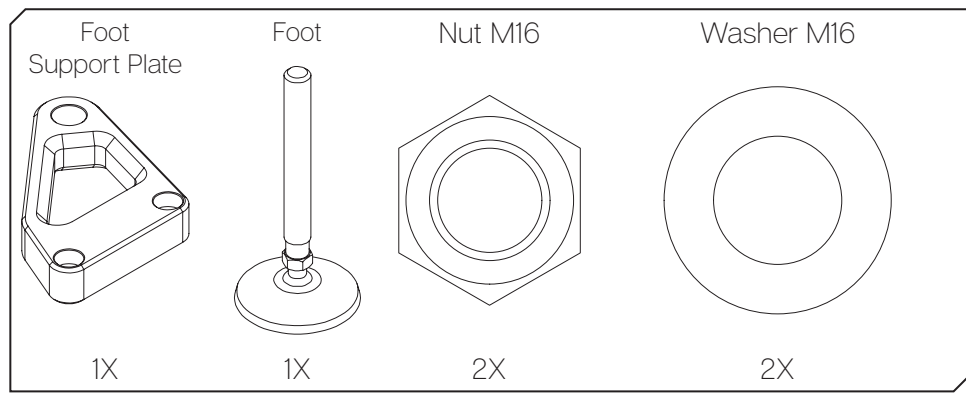
16X

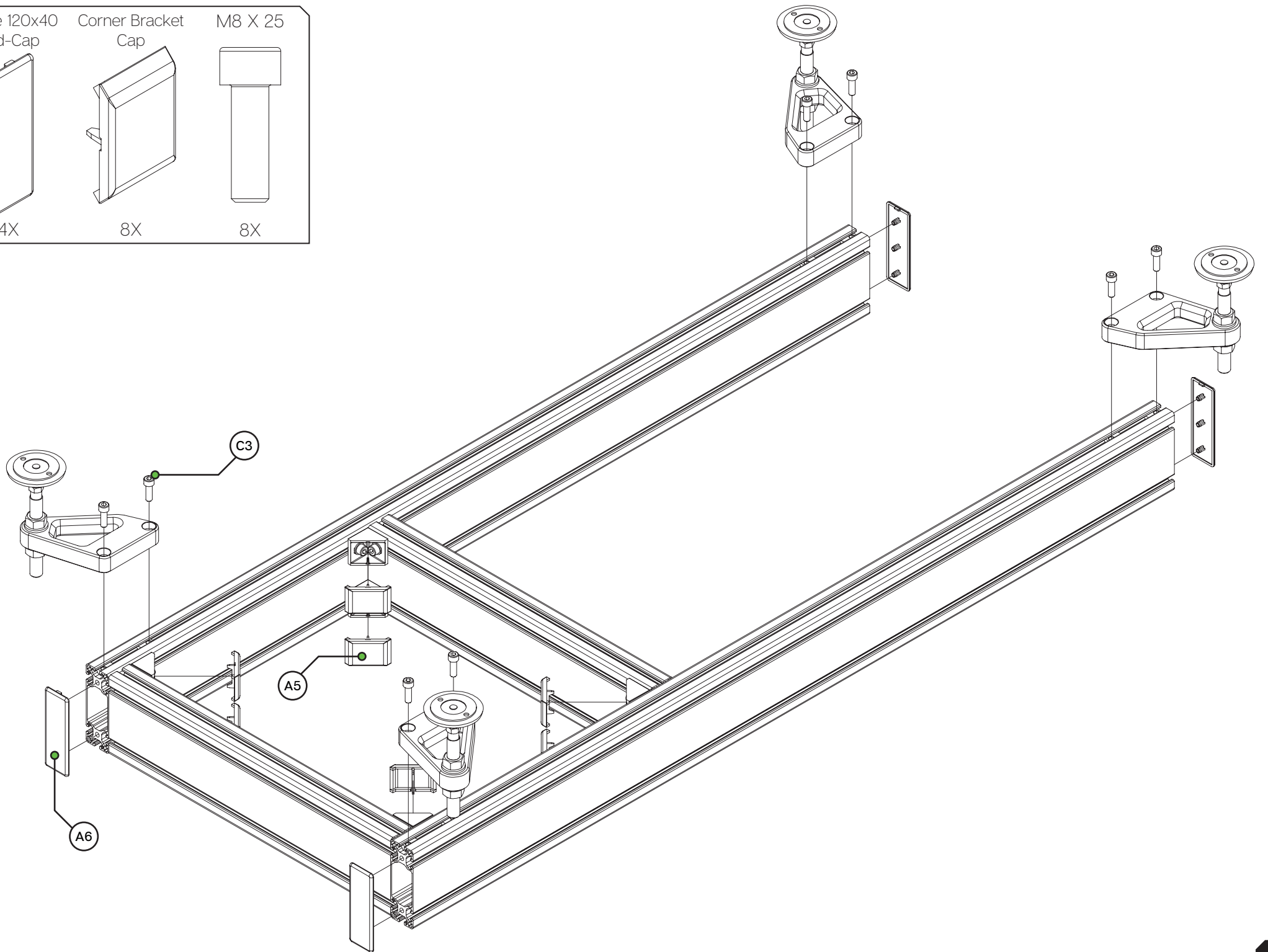
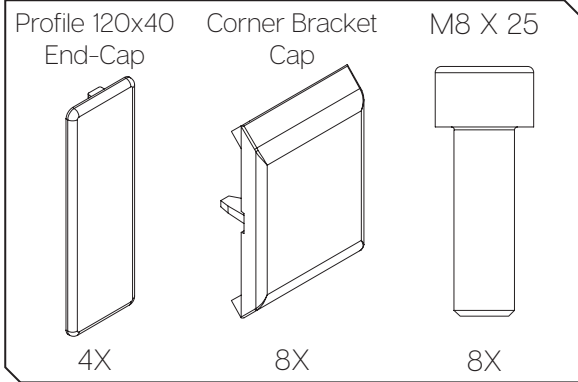
Only fully tighten bolts until after
the pedal tray has been fitted.

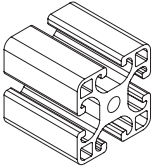
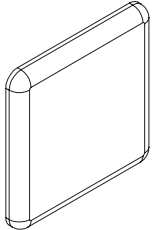
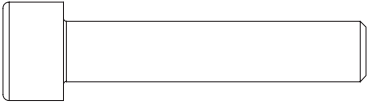
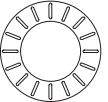
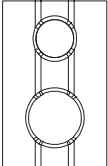


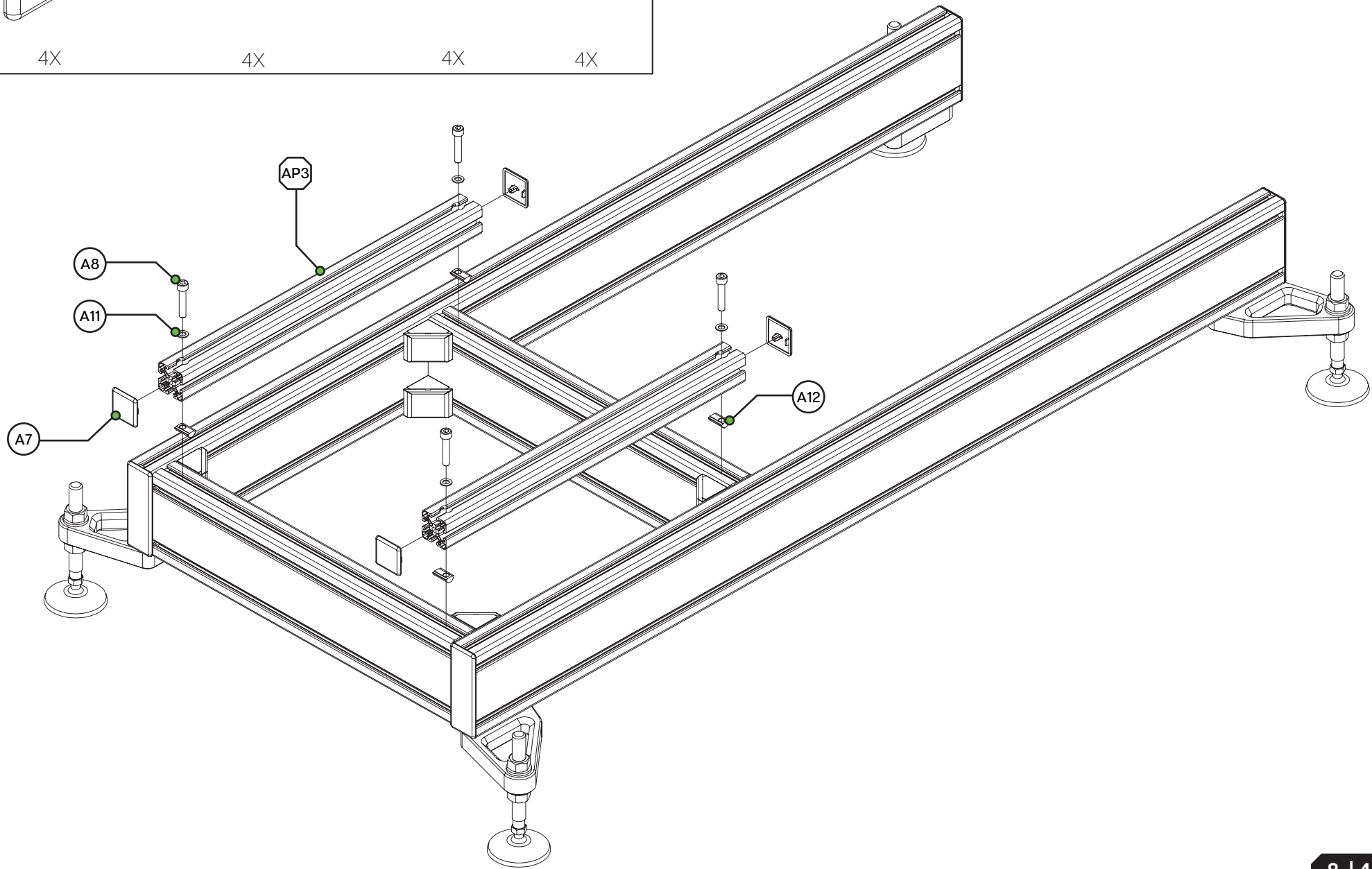


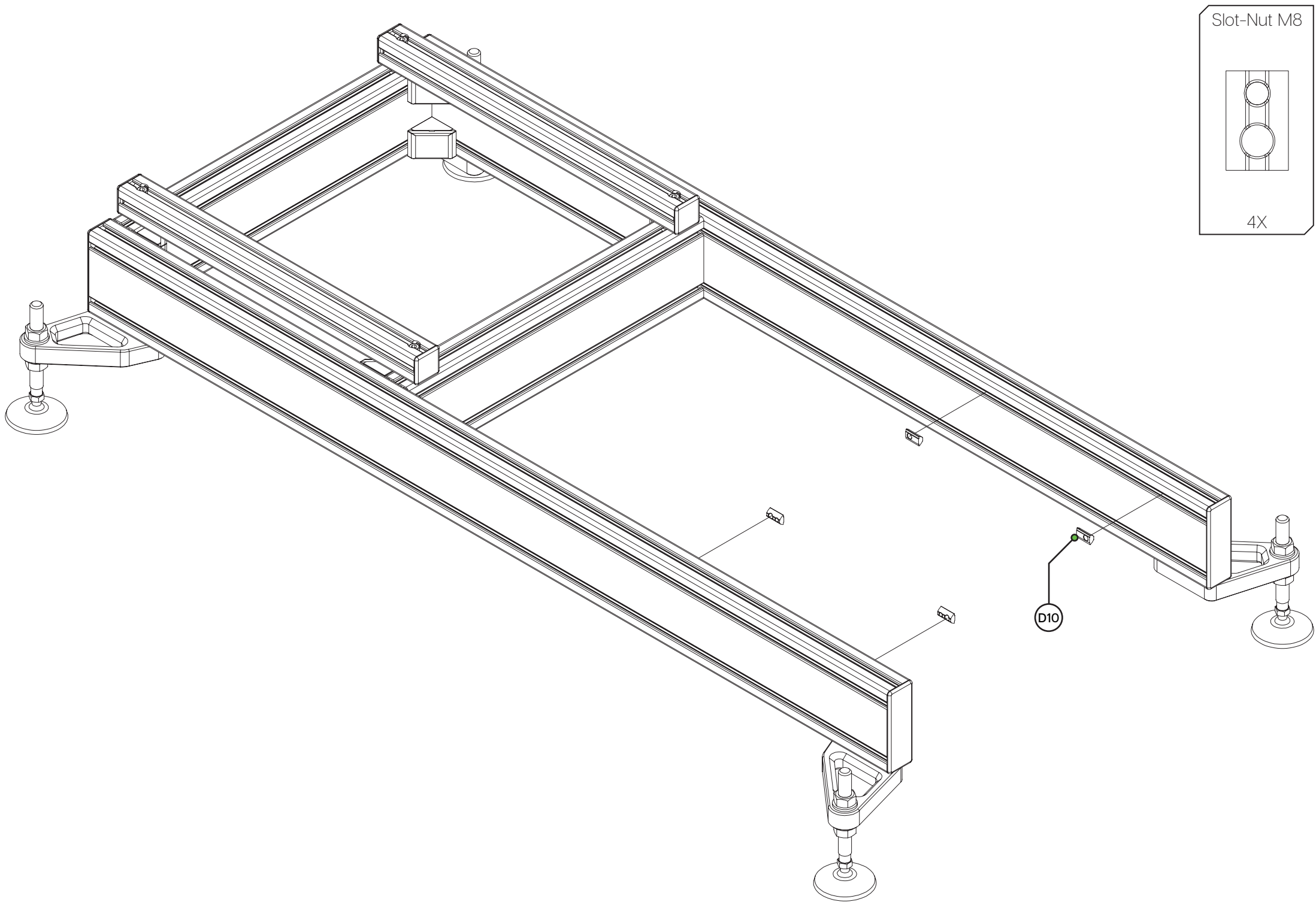
BUILD BOTH VERSIONS 2X



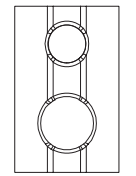


500MM	Profile 40X40 End-Cap	M8 X 40	Washer M8 (DIN 988)	Slot-Nut M8
				
2X	4X	4X	4X	4X

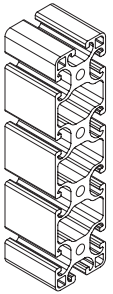
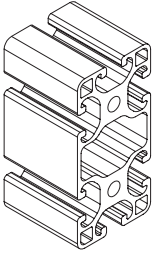
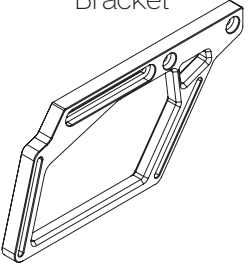
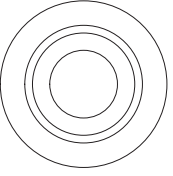
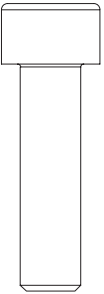
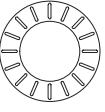


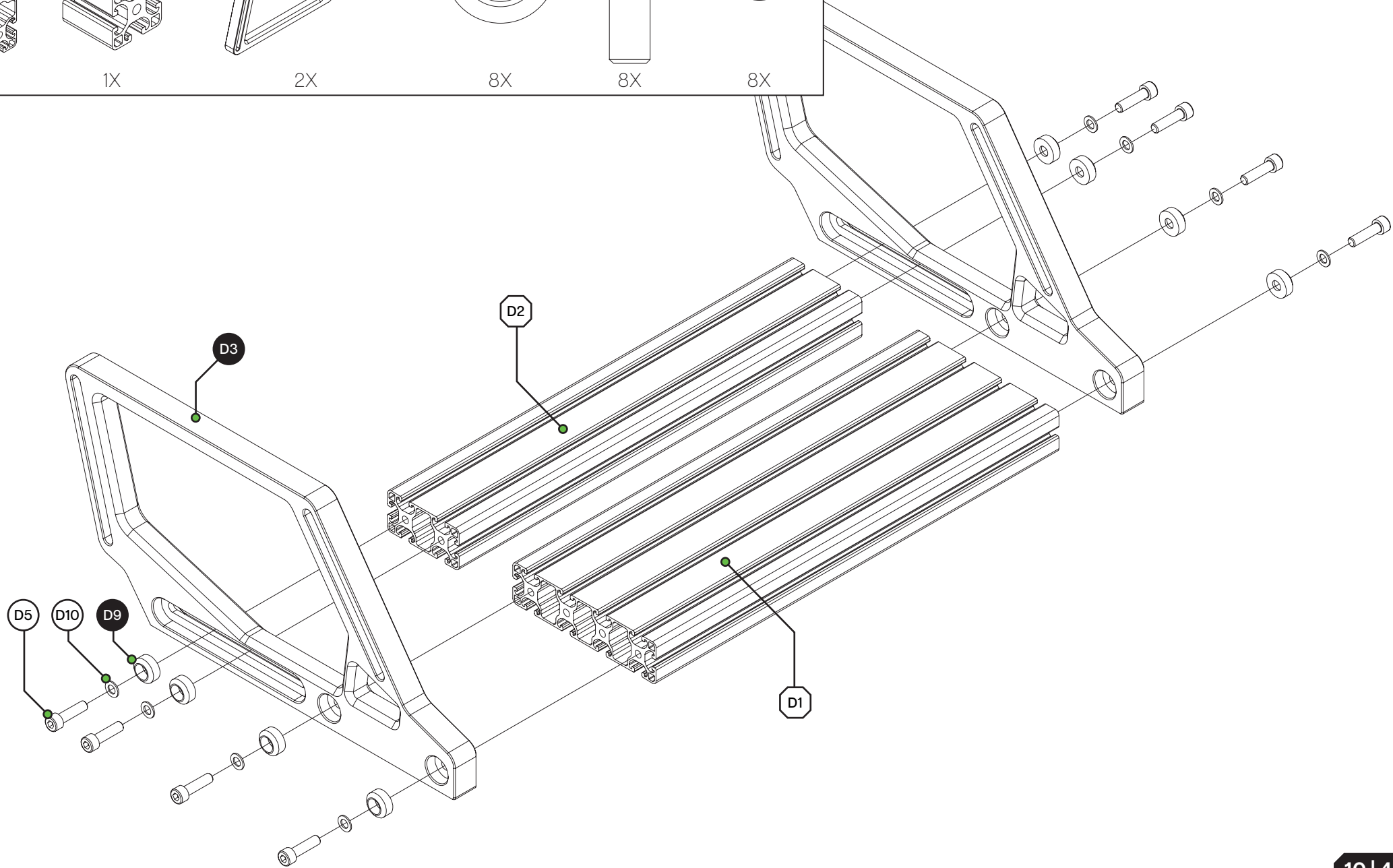


Slot-Nut M8

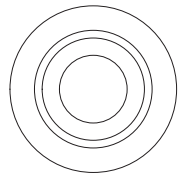


4X

470MM	470MM	Pedal Deck Bracket	Cap-Washer M8	M8 X 30	Washer M8 (DIN 988)
					
1X	1X	2X	8X	8X	8X

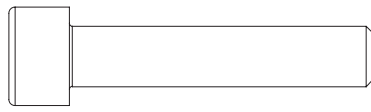


Cap-Washer
M8



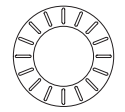
4X

M8 X 40

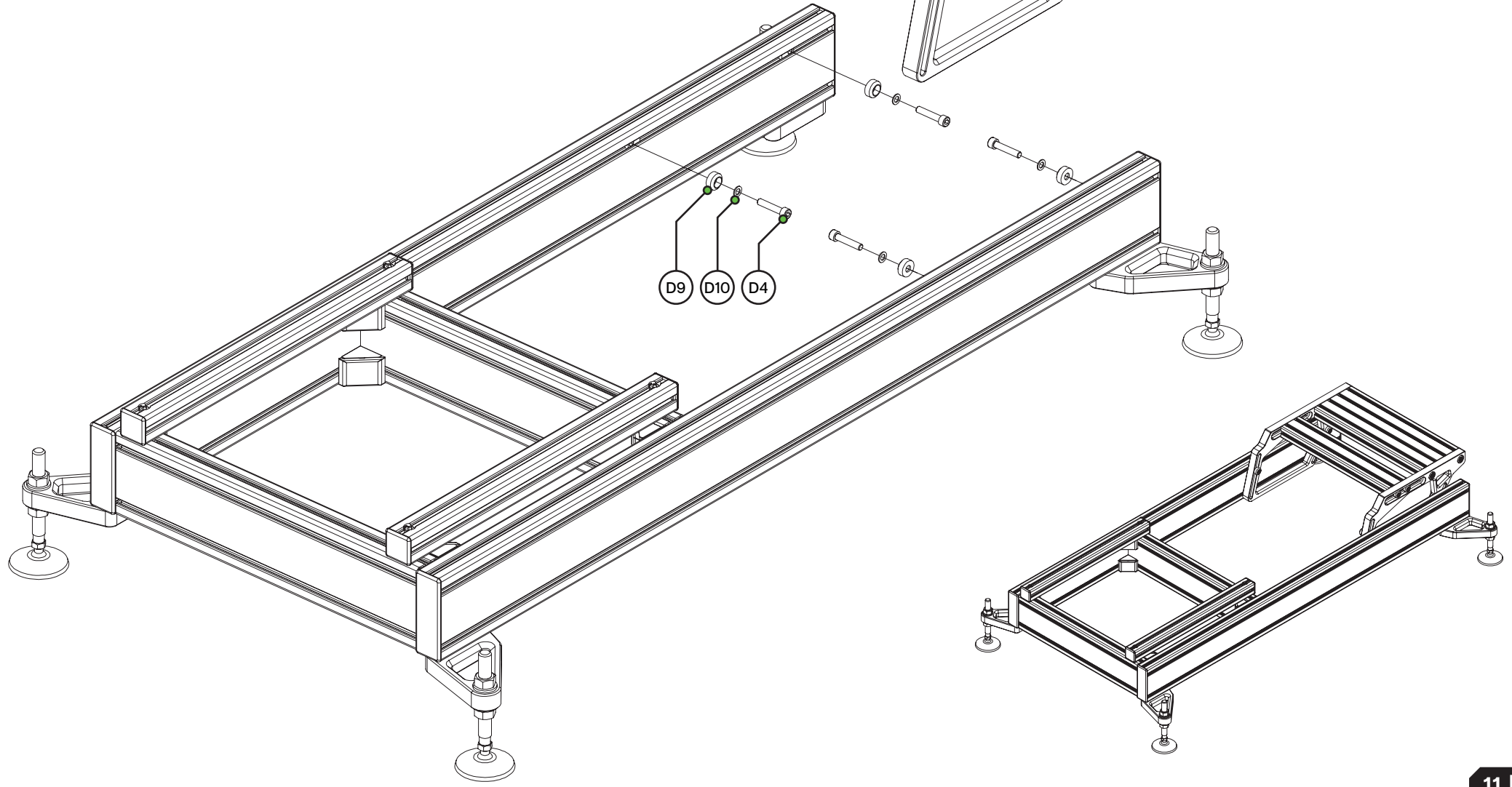
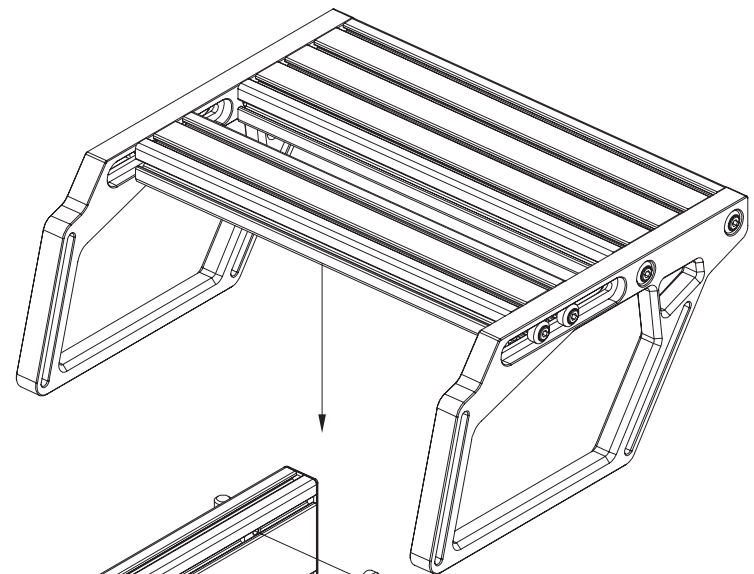


4X

Washer M8
(DIN 988)



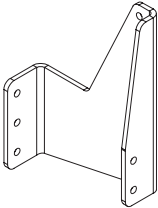
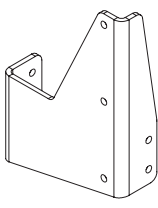
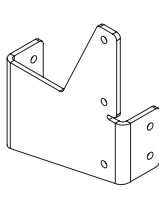
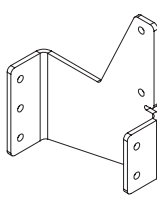
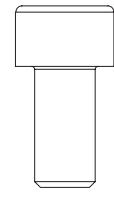
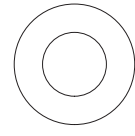
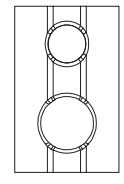
4X

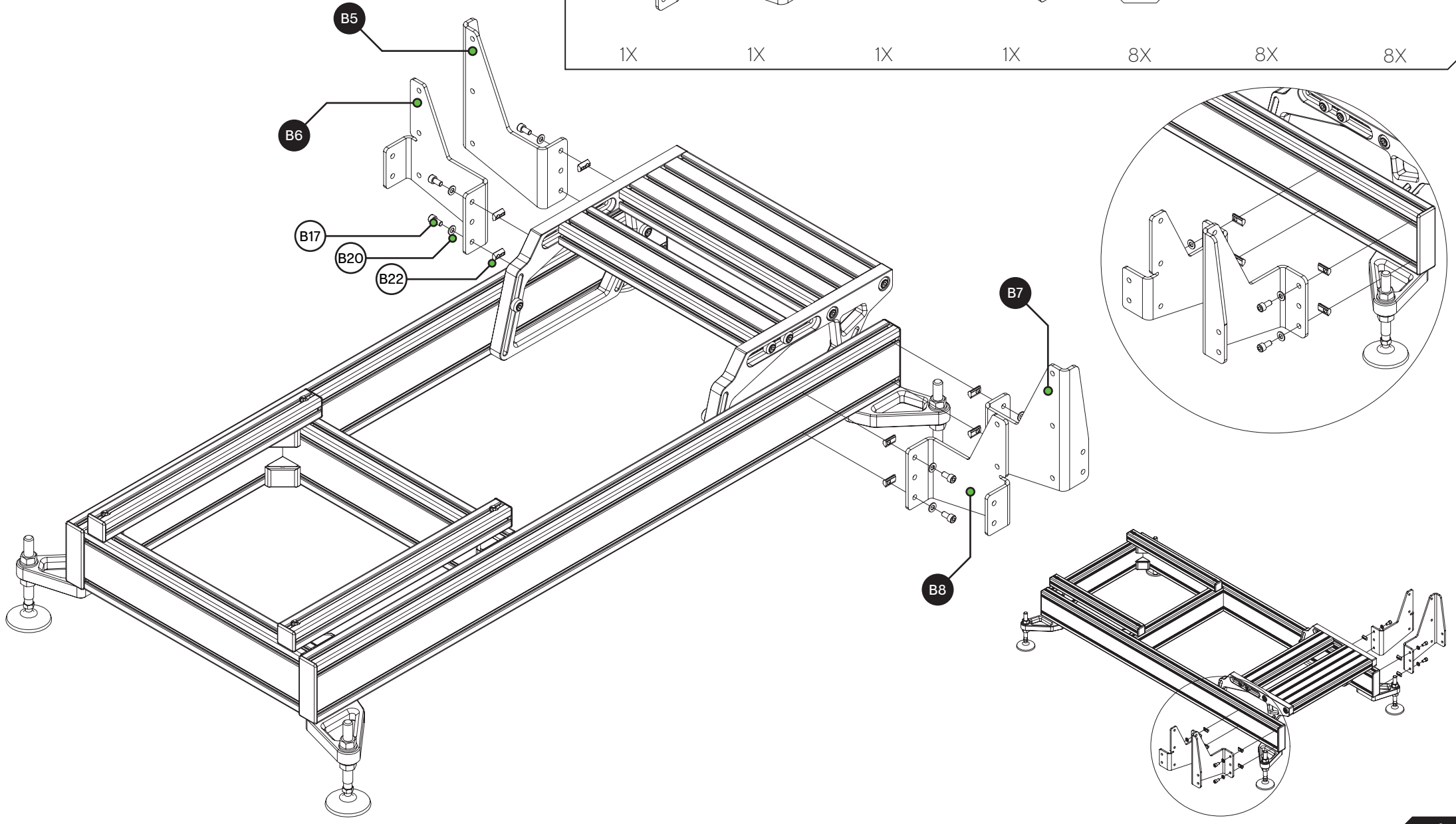


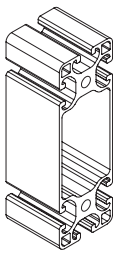
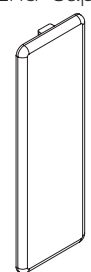
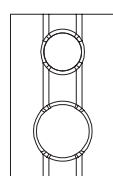
D9

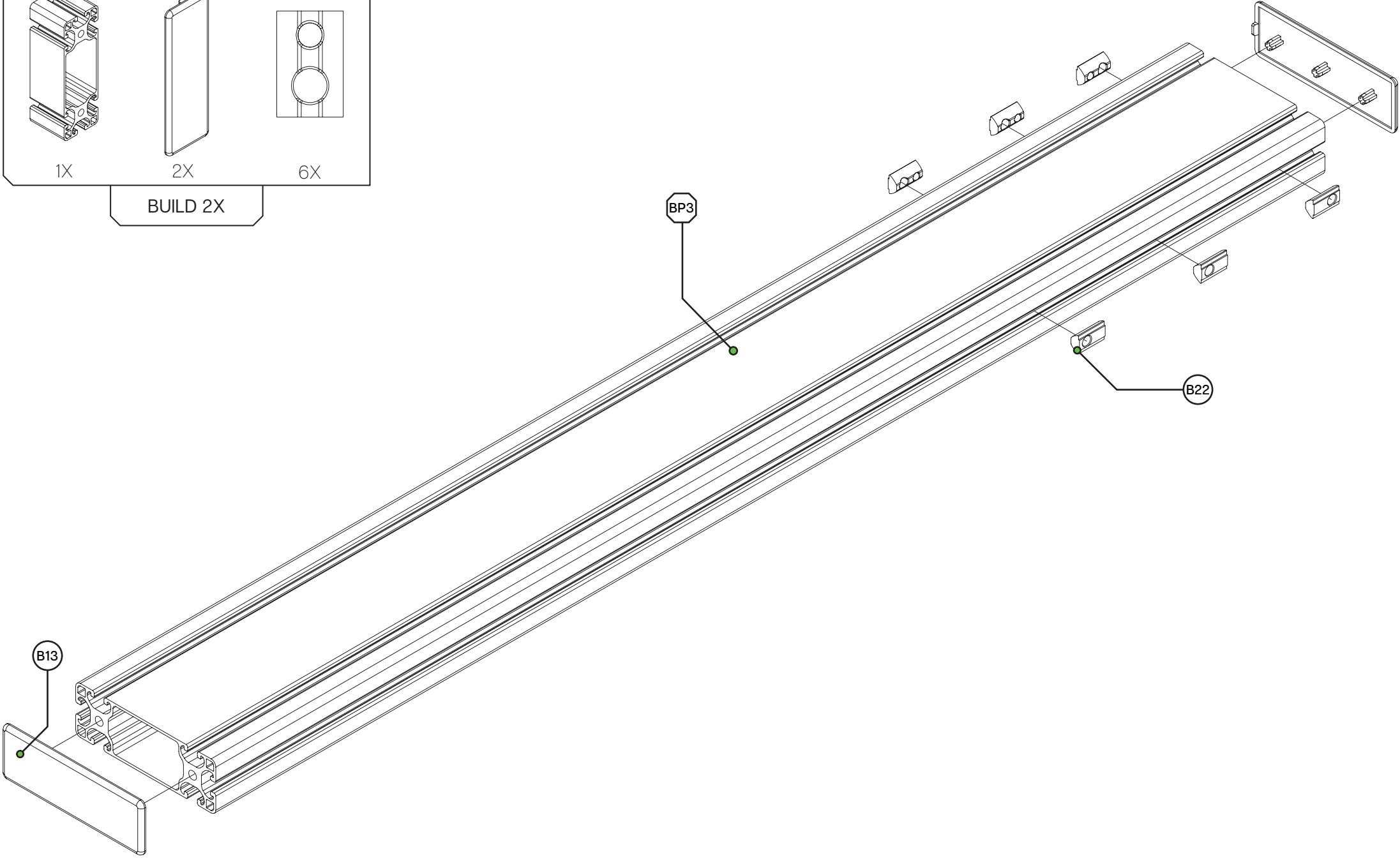
D10

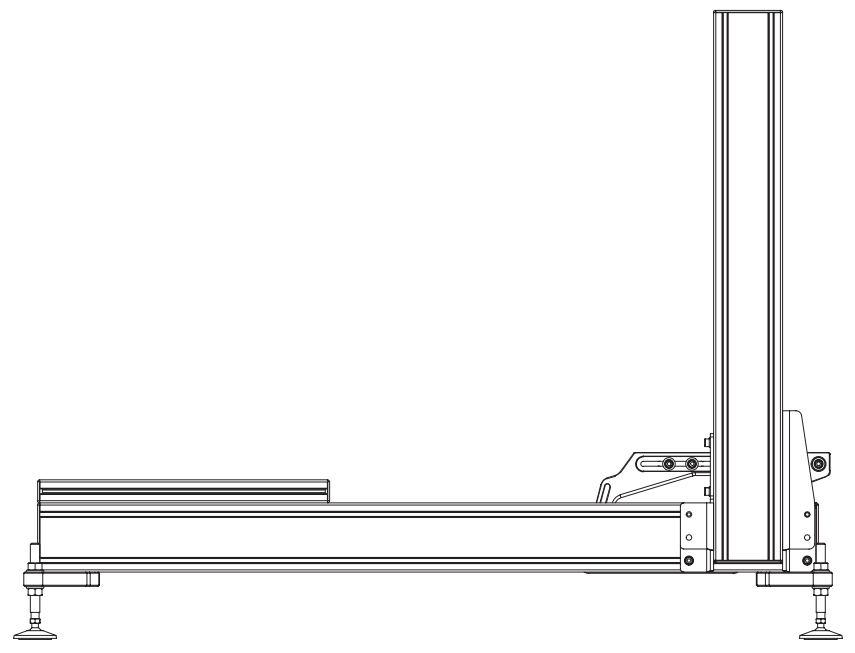
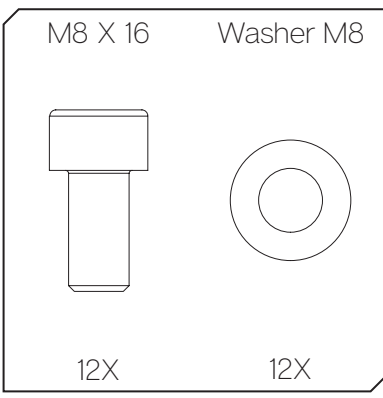
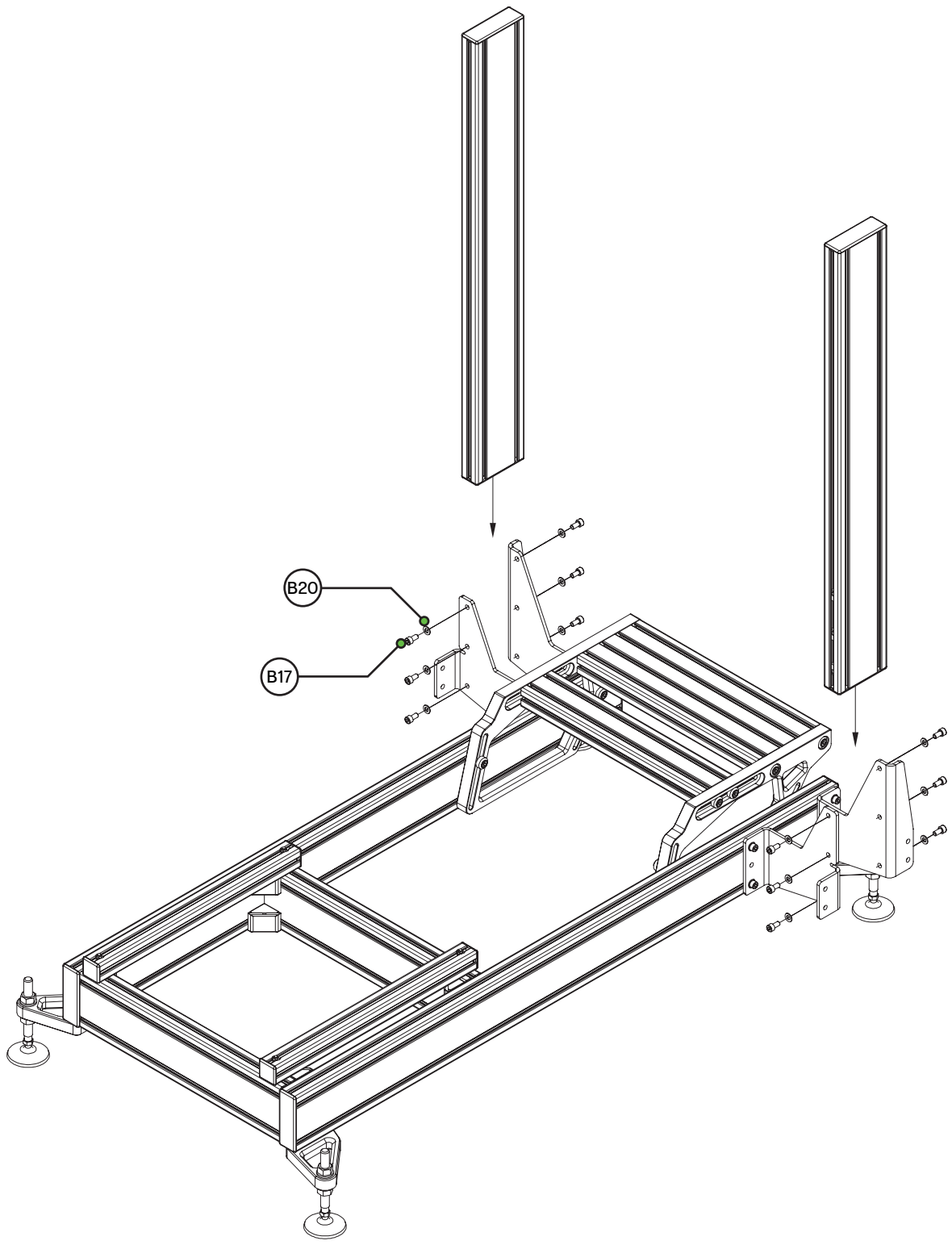
D4

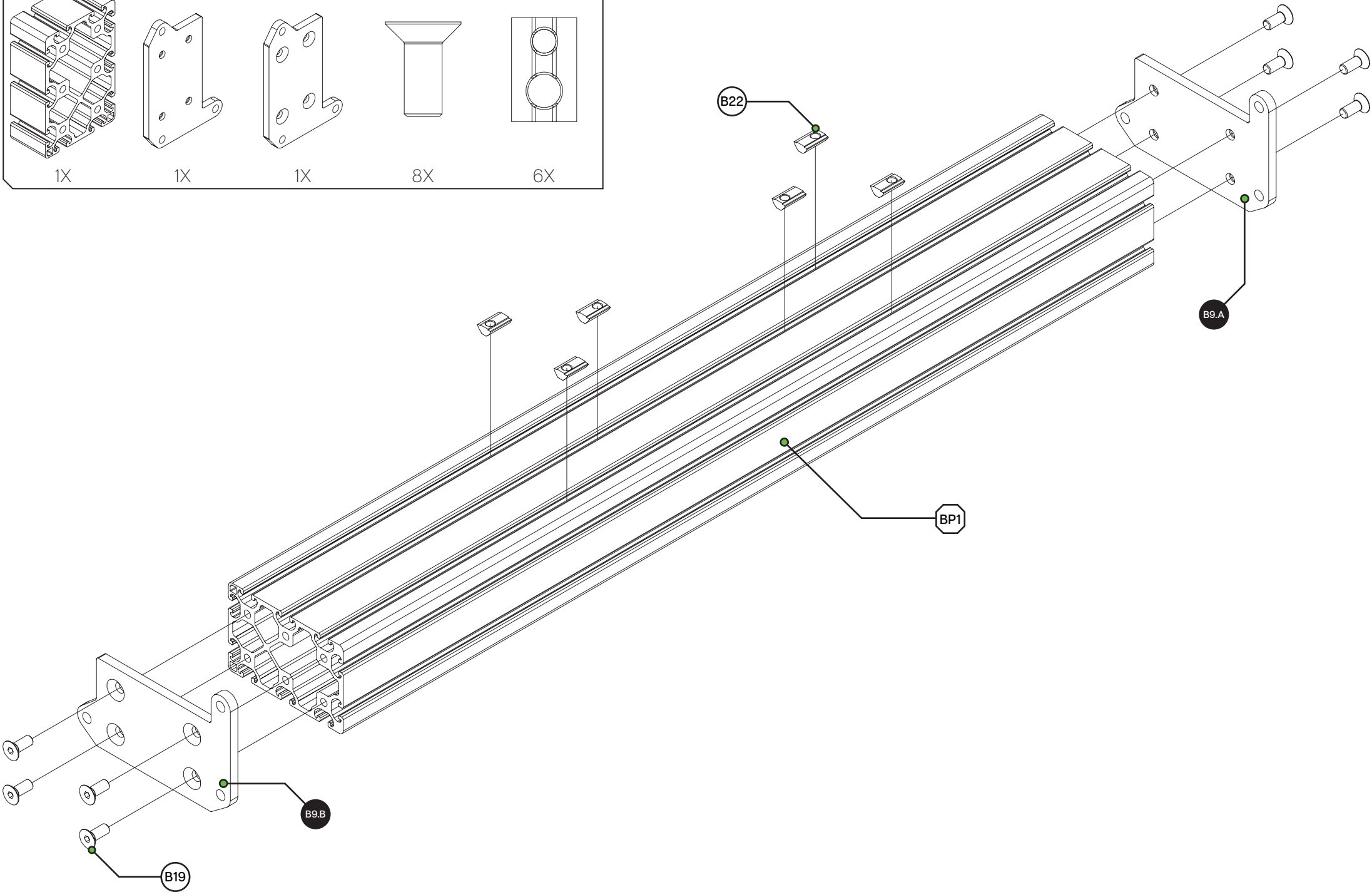
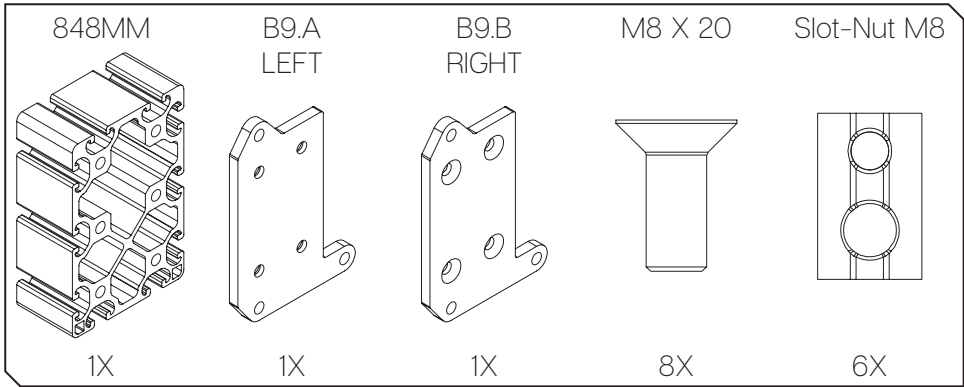
Upright Bracket LF	Upright Bracket RF	Upright Bracket LR	Upright Bracket RR	M8 X 16	Washer M8	Slot-Nut M8
						
1X	1X	1X	1X	8X	8X	8X



<p>950MM</p>  <p>1X</p>	<p>Profile 120x40 End-Cap</p>  <p>2X</p>	<p>Slot-Nut M8</p>  <p>6X</p>
<p>BUILD 2X</p>		



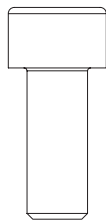




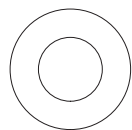
M8 X 20

Washer M8

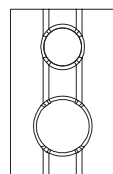
Slot-Nut M8



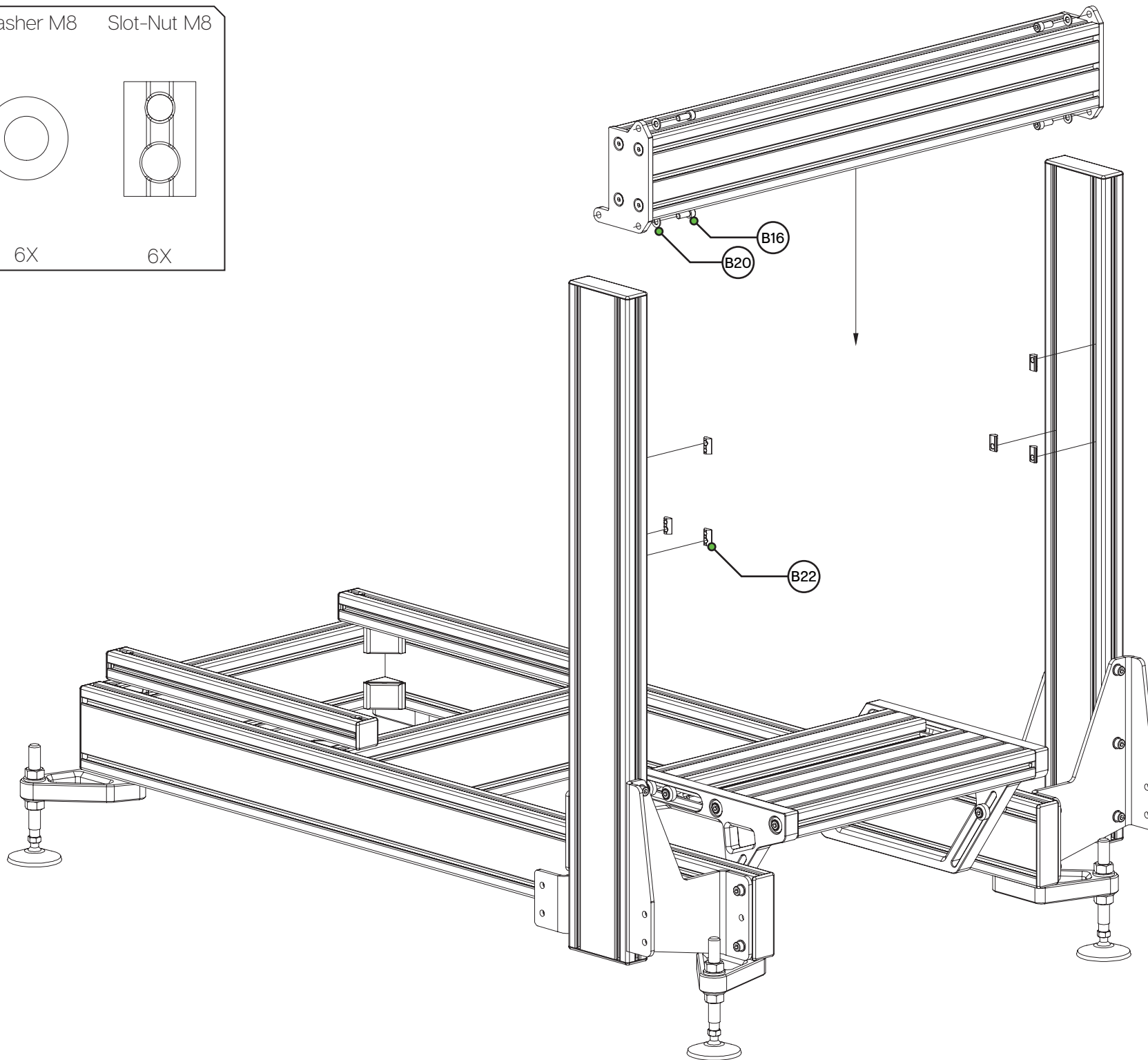
6X

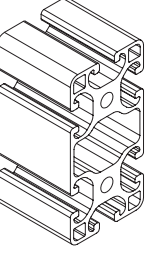
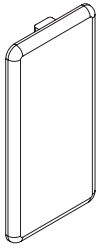
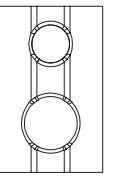


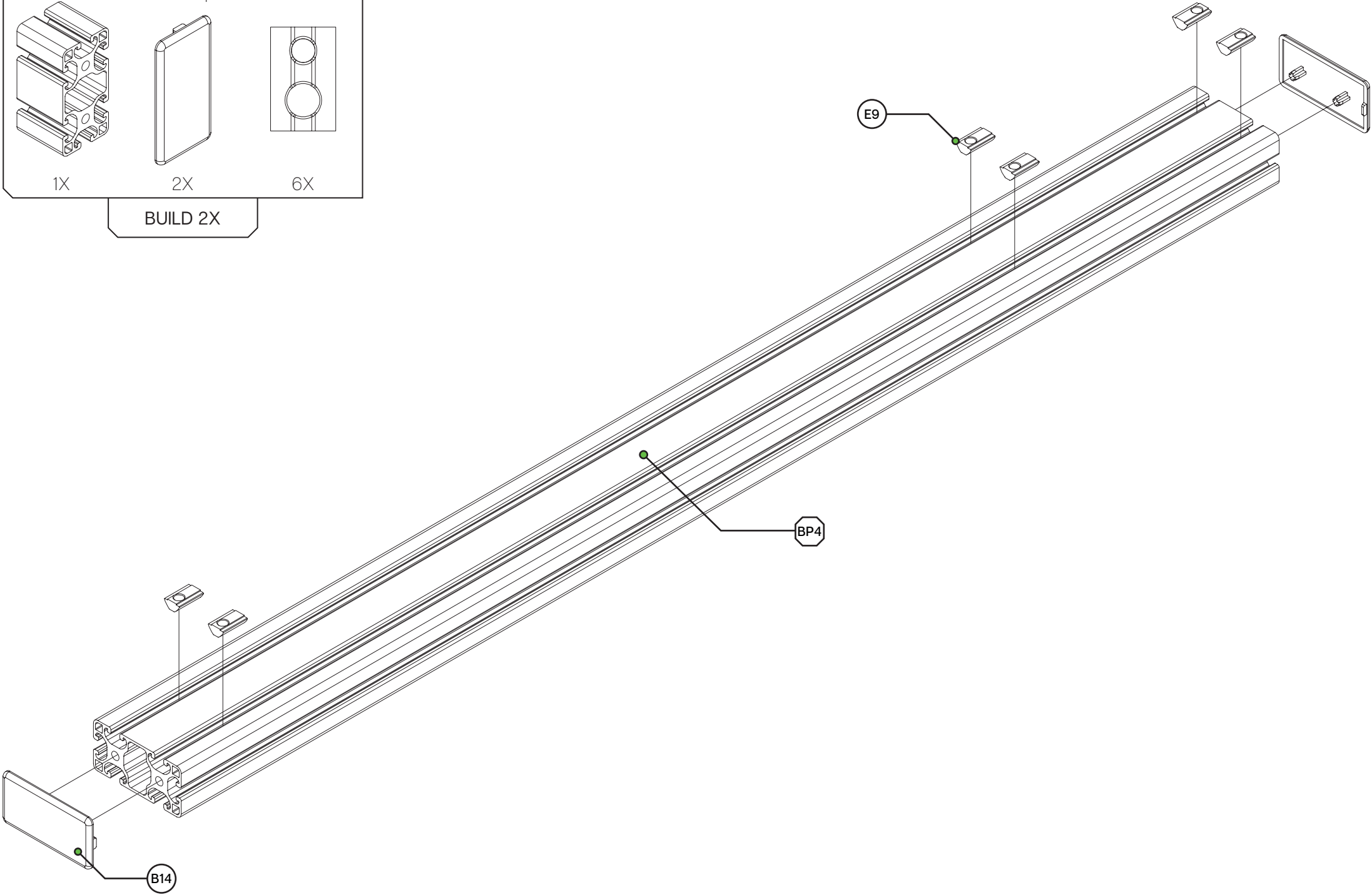
6X

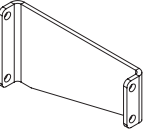
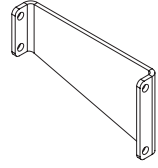
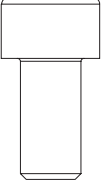
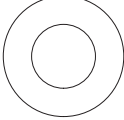
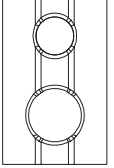


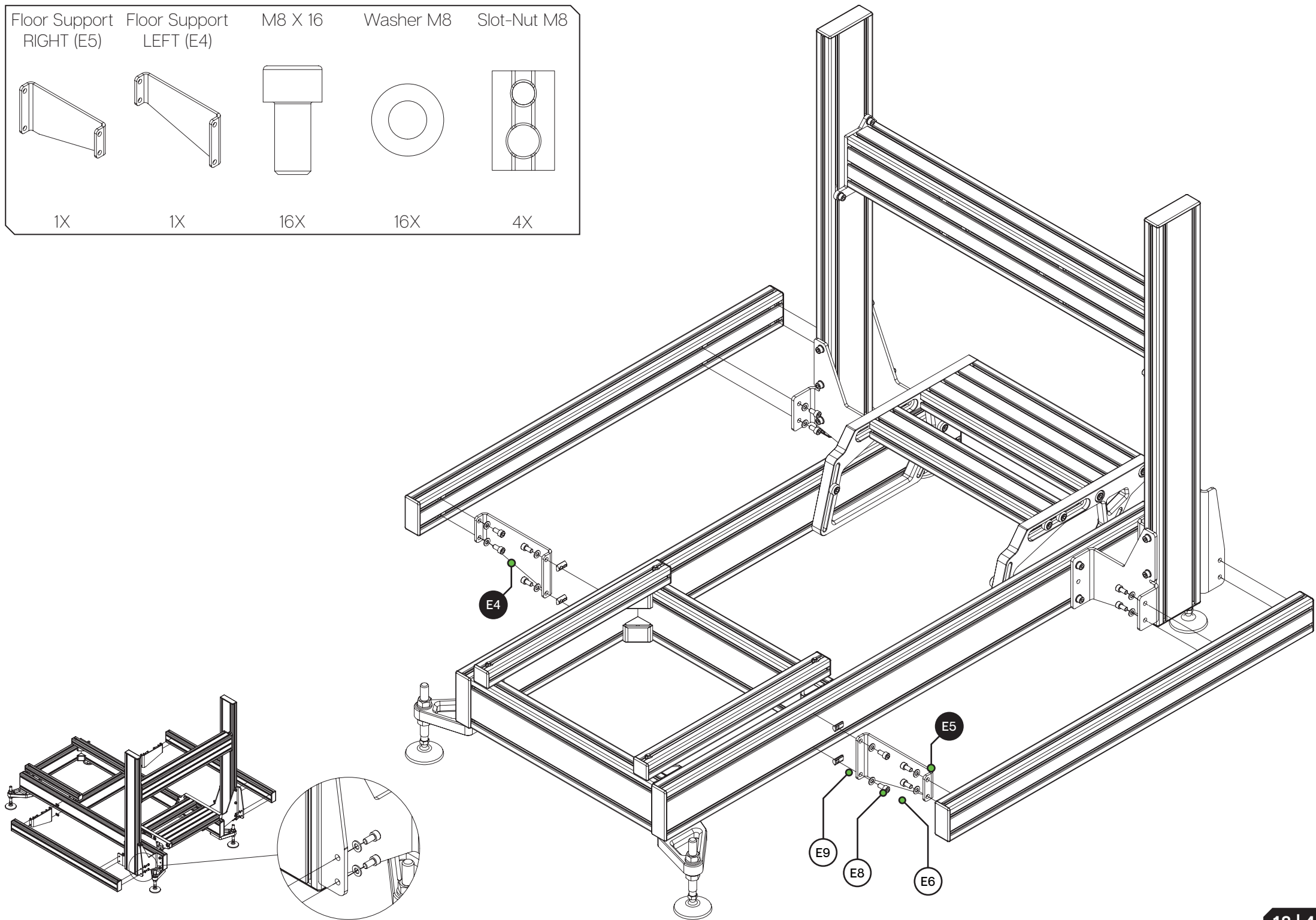
6X

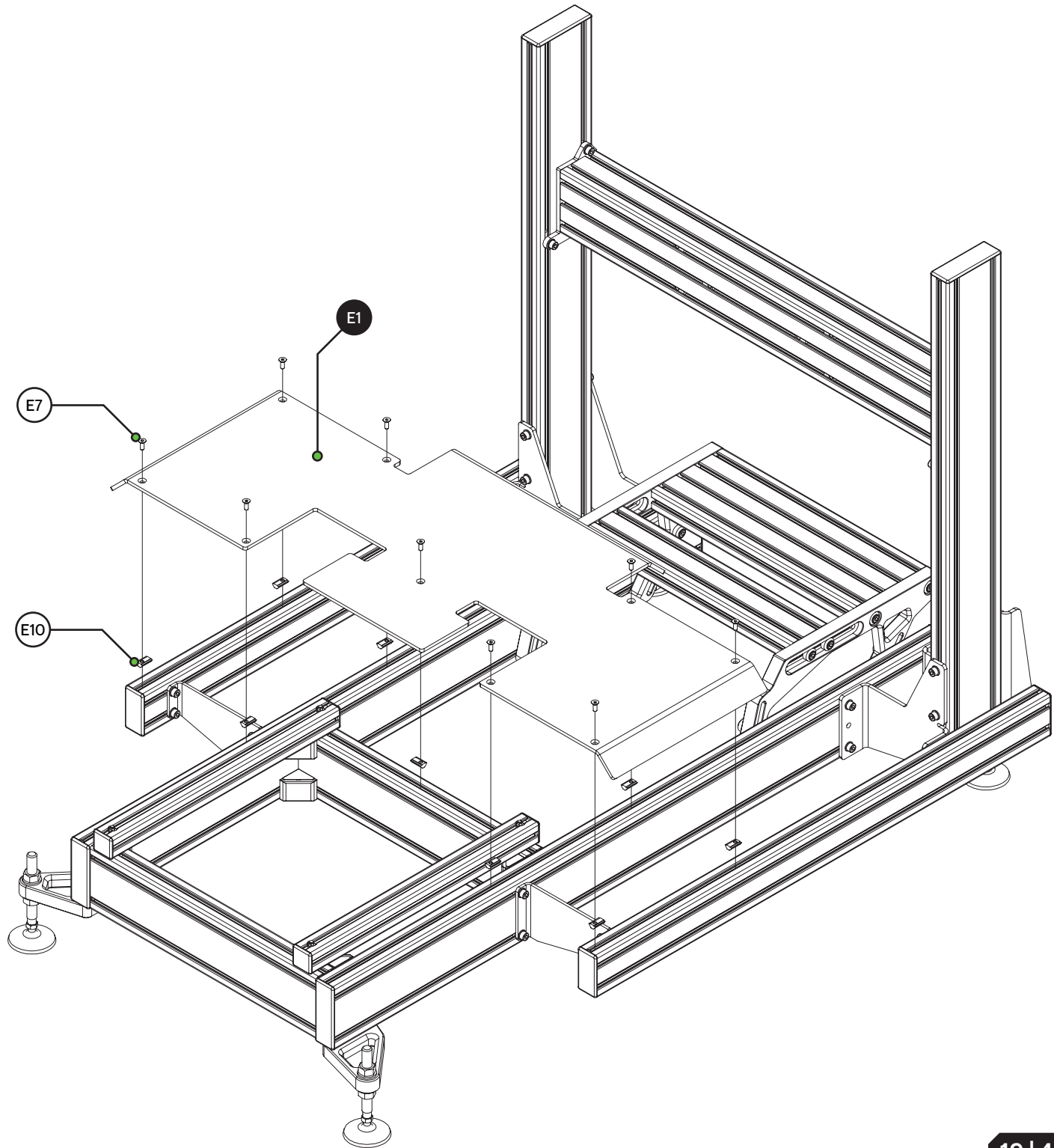
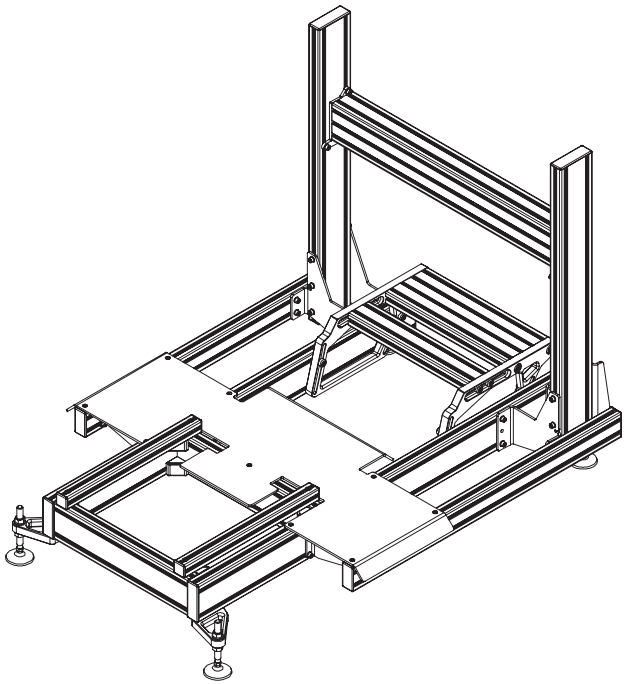
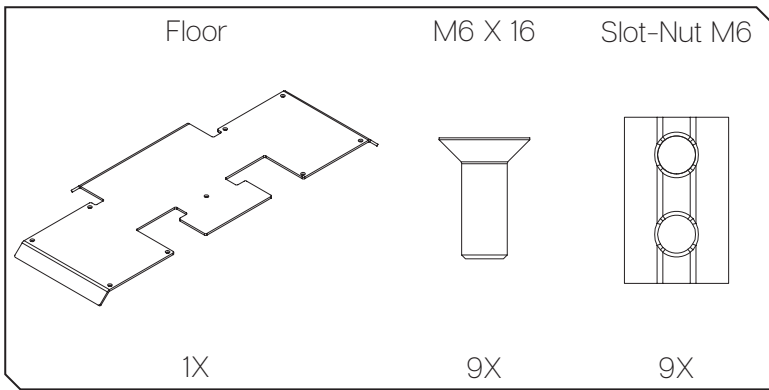


1000MM	Profile 80X40 End-Cap	Slot-Nut M8
		
1X	2X	6X
BUILD 2X		

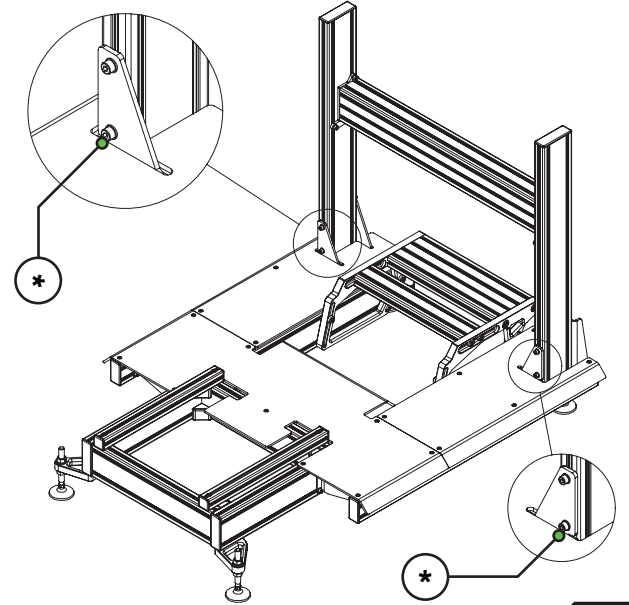
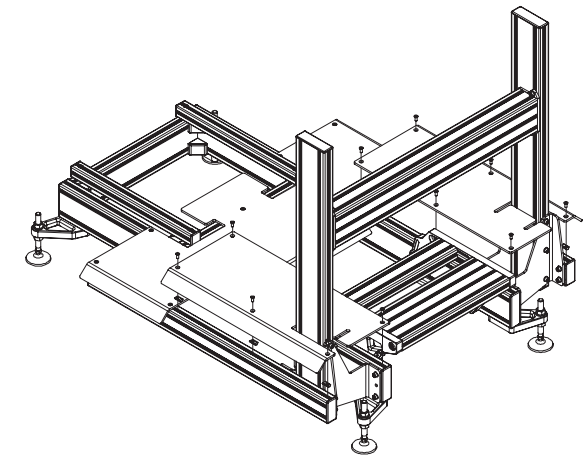
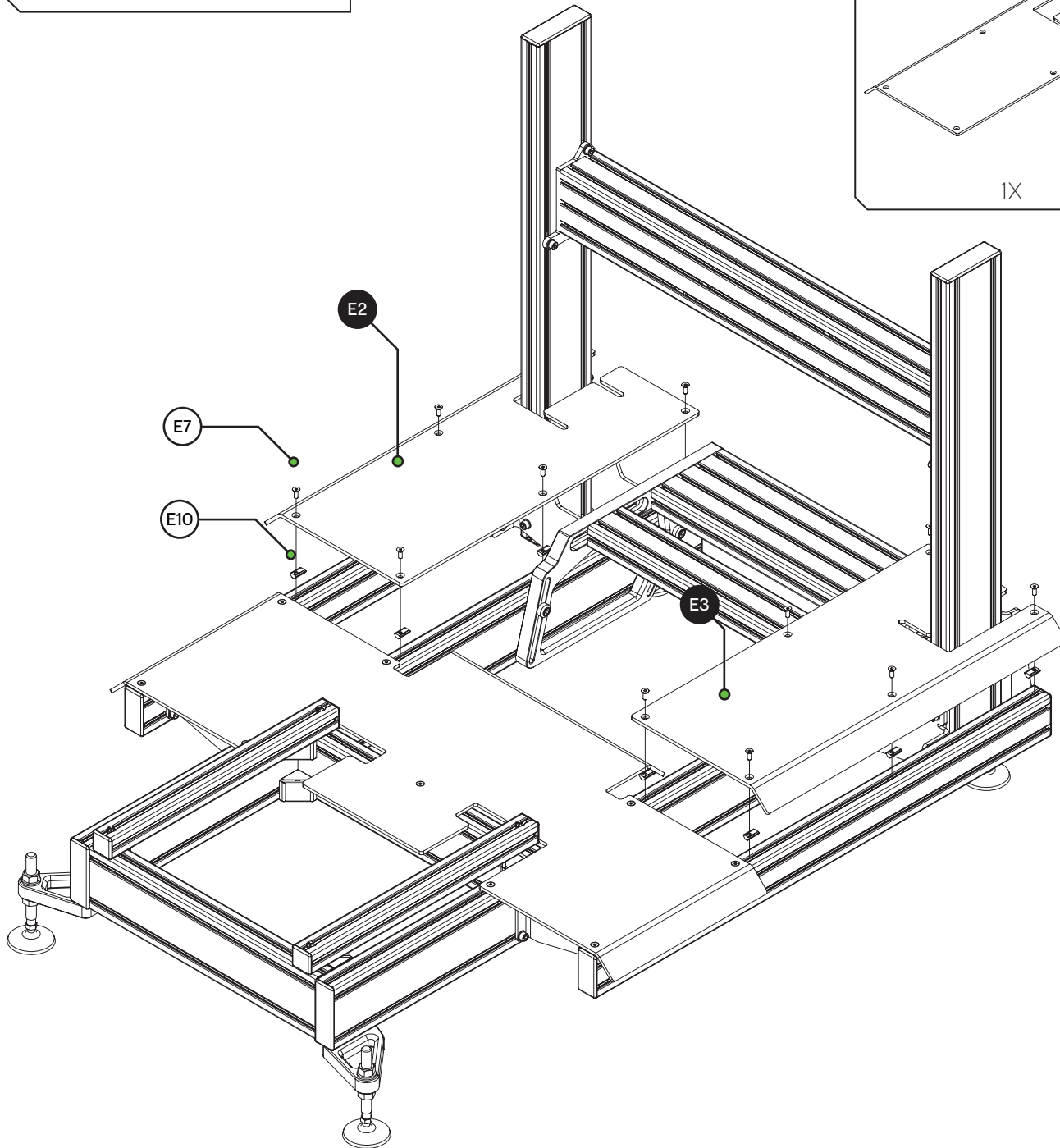
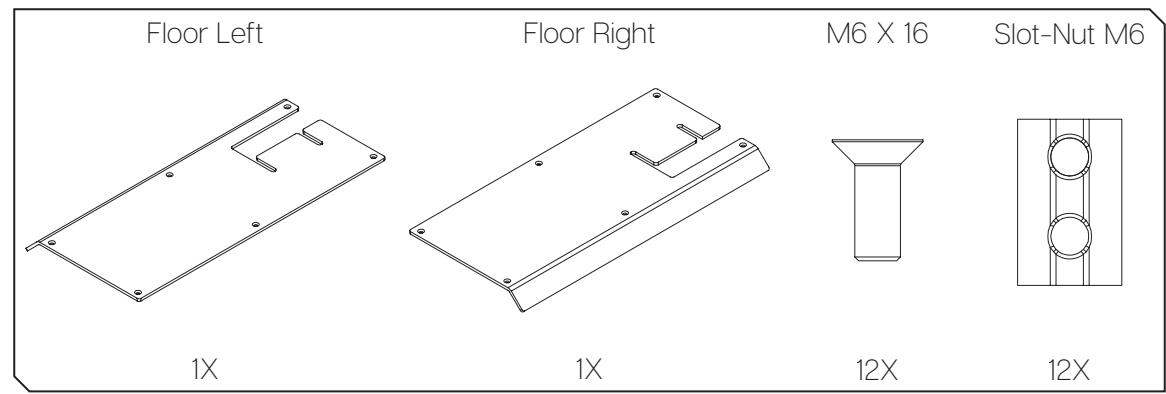


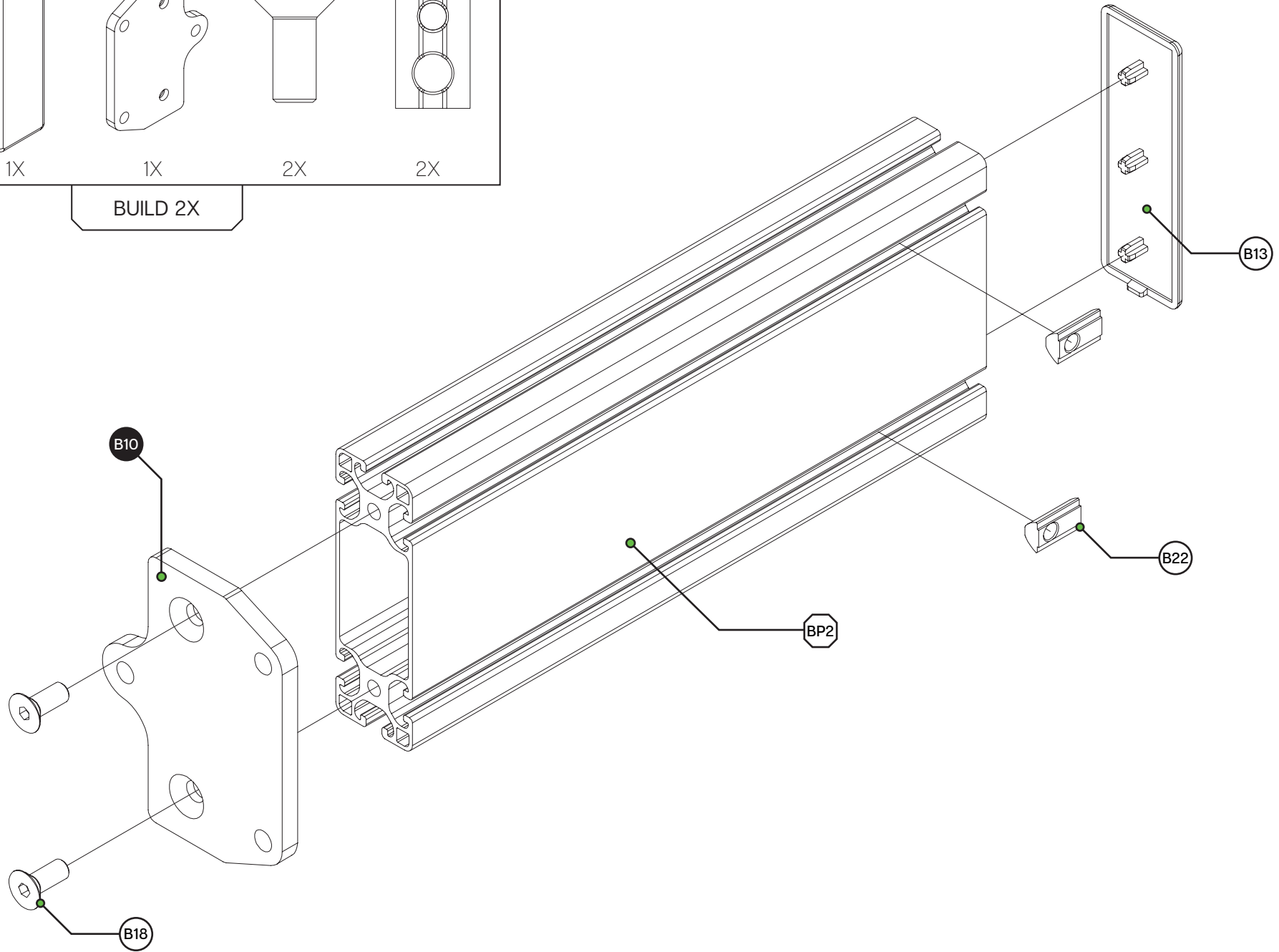
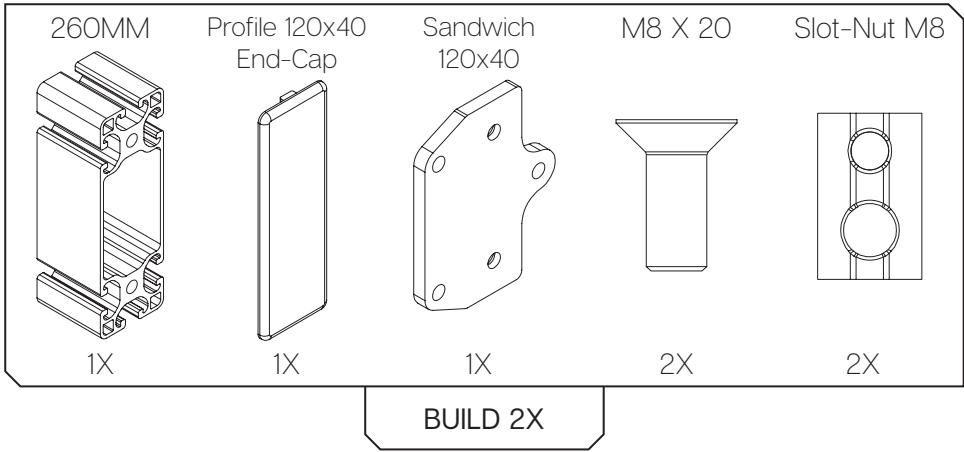
Floor Support RIGHT (E5)	Floor Support LEFT (E4)	M8 X 16	Washer M8	Slot-Nut M8
				
1X	1X	16X	16X	4X



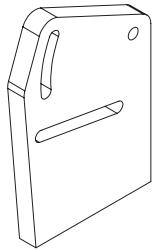


*For easier installation,
temporarily remove these
bolts (4) on either side.



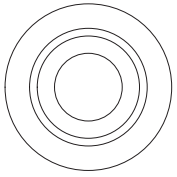


Front Mount
Side Plate



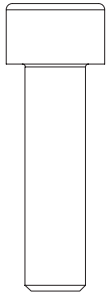
2X

Cap-Washer
M8



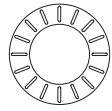
4X

M8 X 30

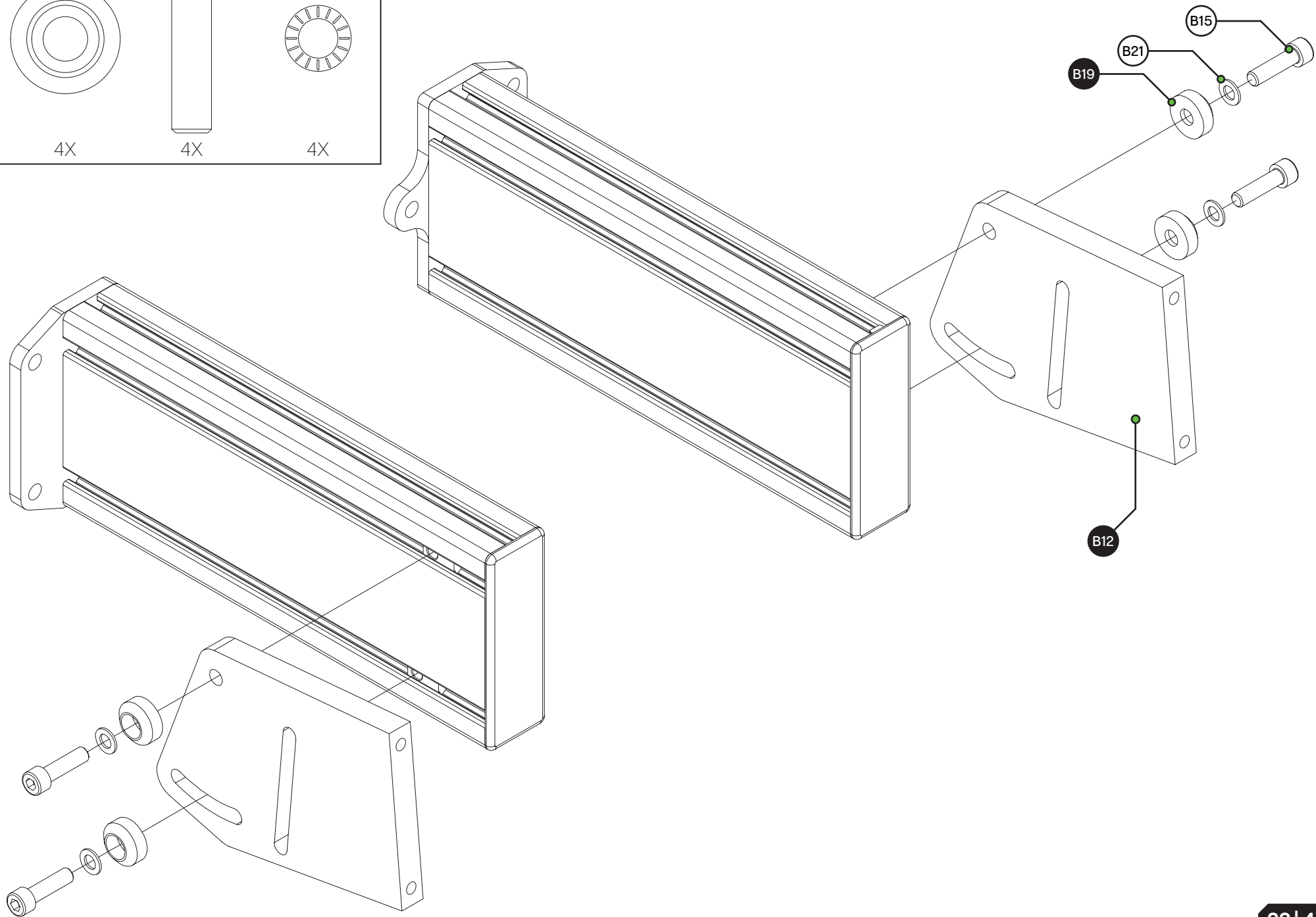


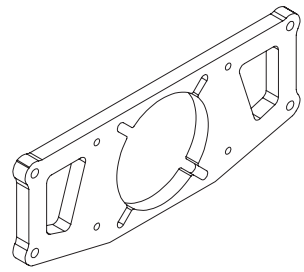
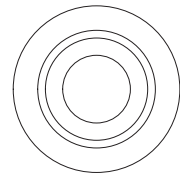
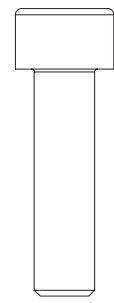
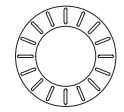
4X

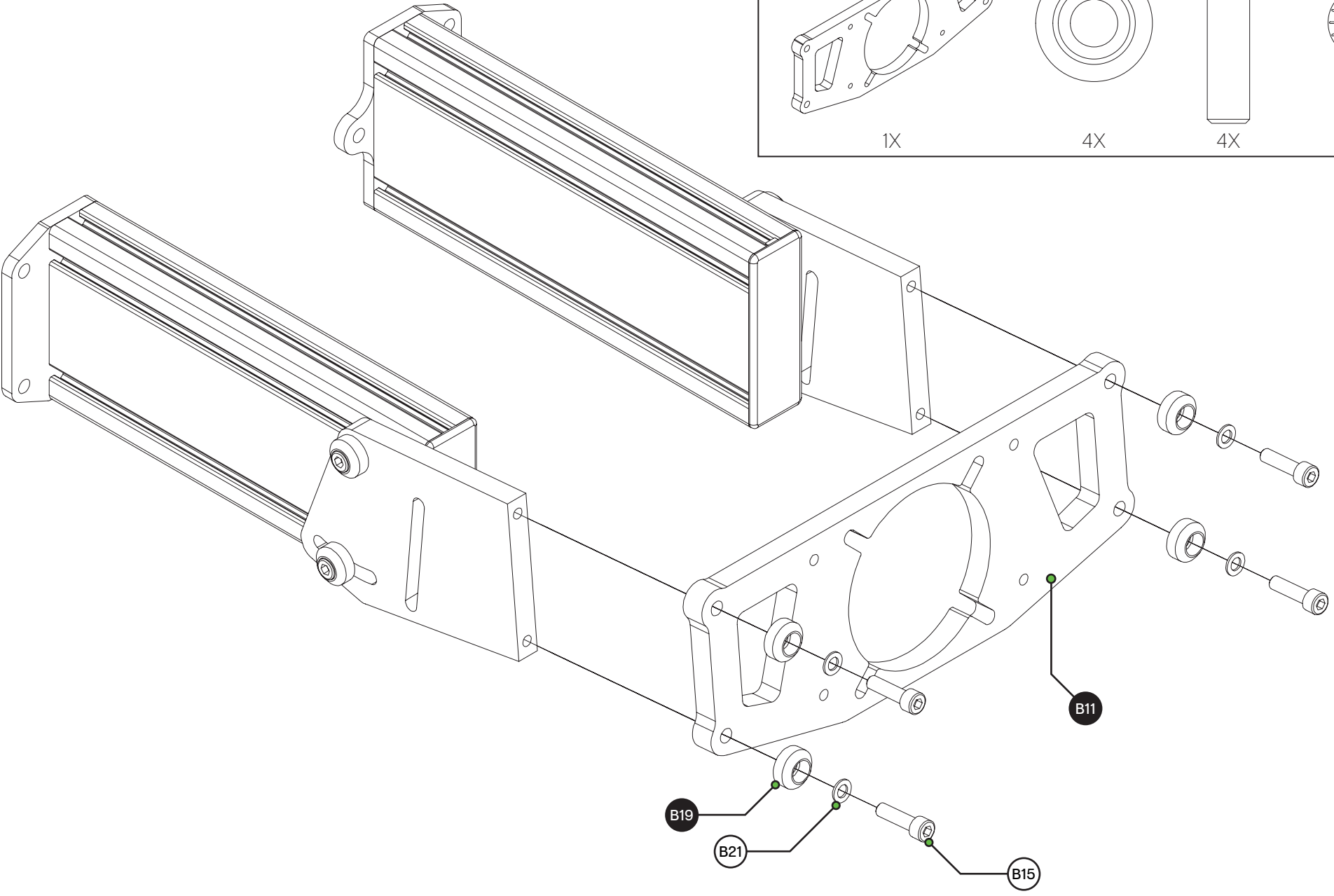
Washer M8
(DIN 988)



4X

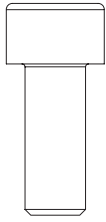


<p>Front Mount</p>  <p>1X</p>	<p>Cap-Washer M8</p>  <p>4X</p>	<p>M8 X 30</p>  <p>4X</p>	<p>Washer M8 (DIN 988)</p>  <p>4X</p>
---	--	---	--

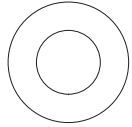


M8 X 20

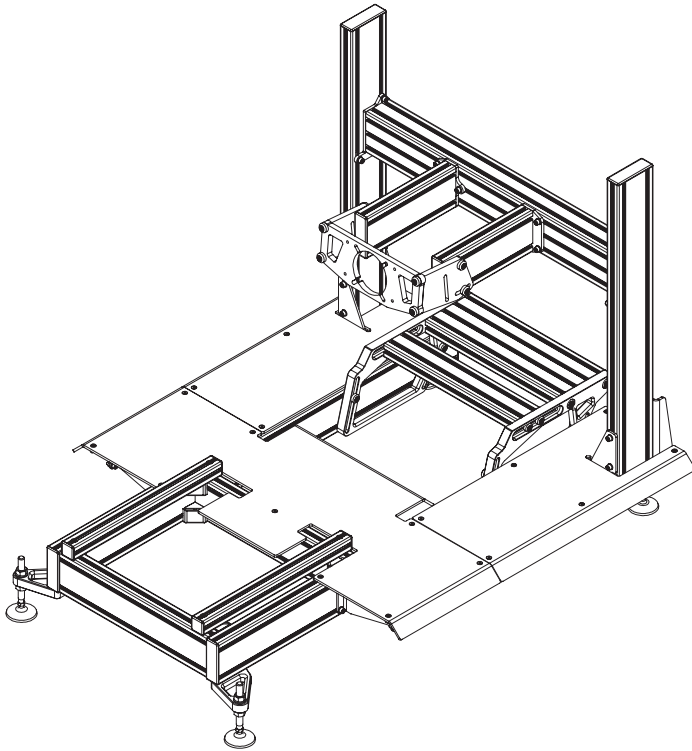
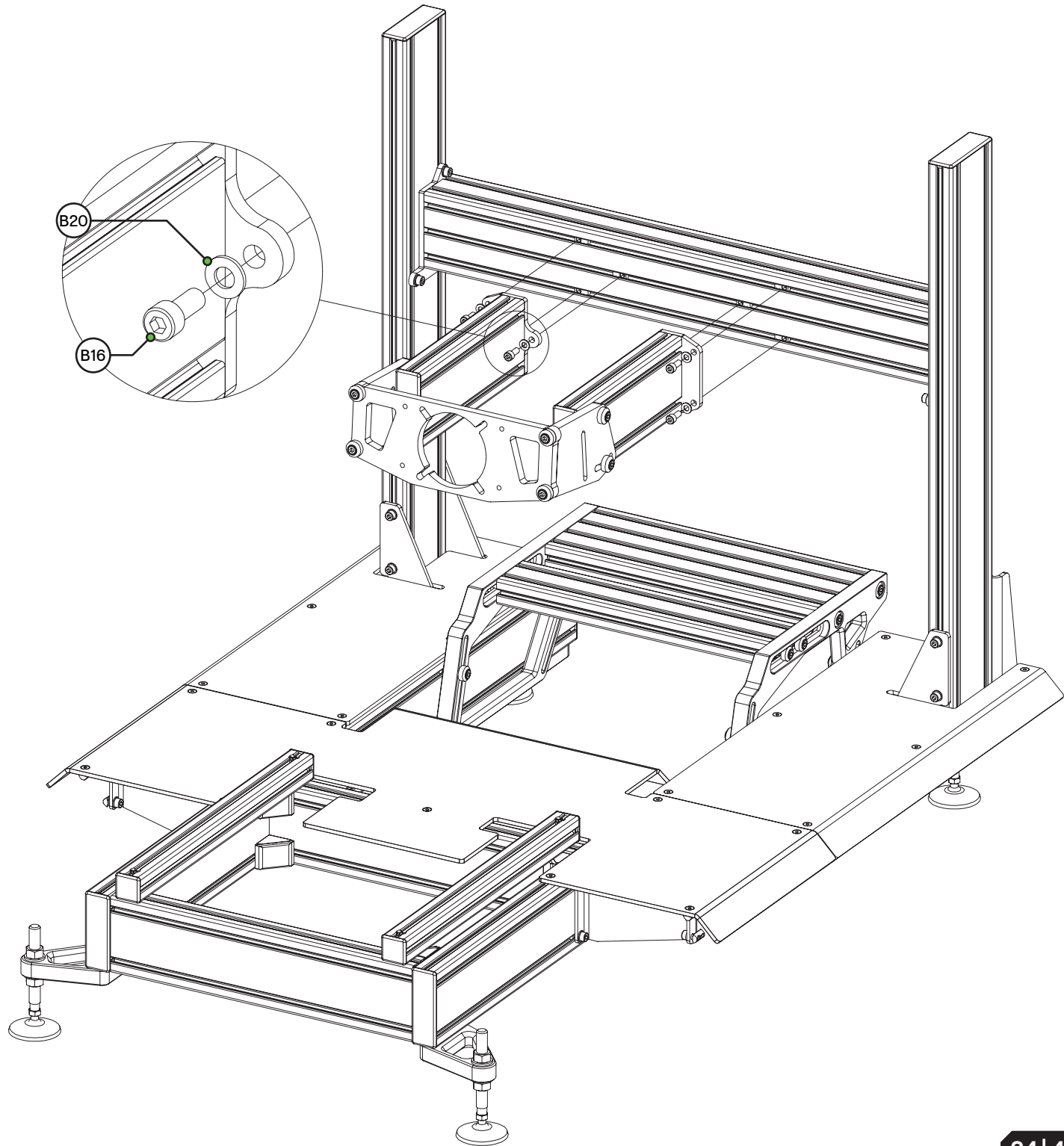
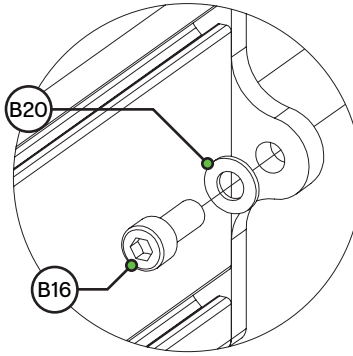
Washer M8

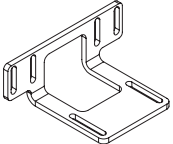
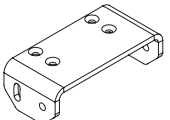
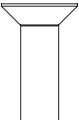




6X

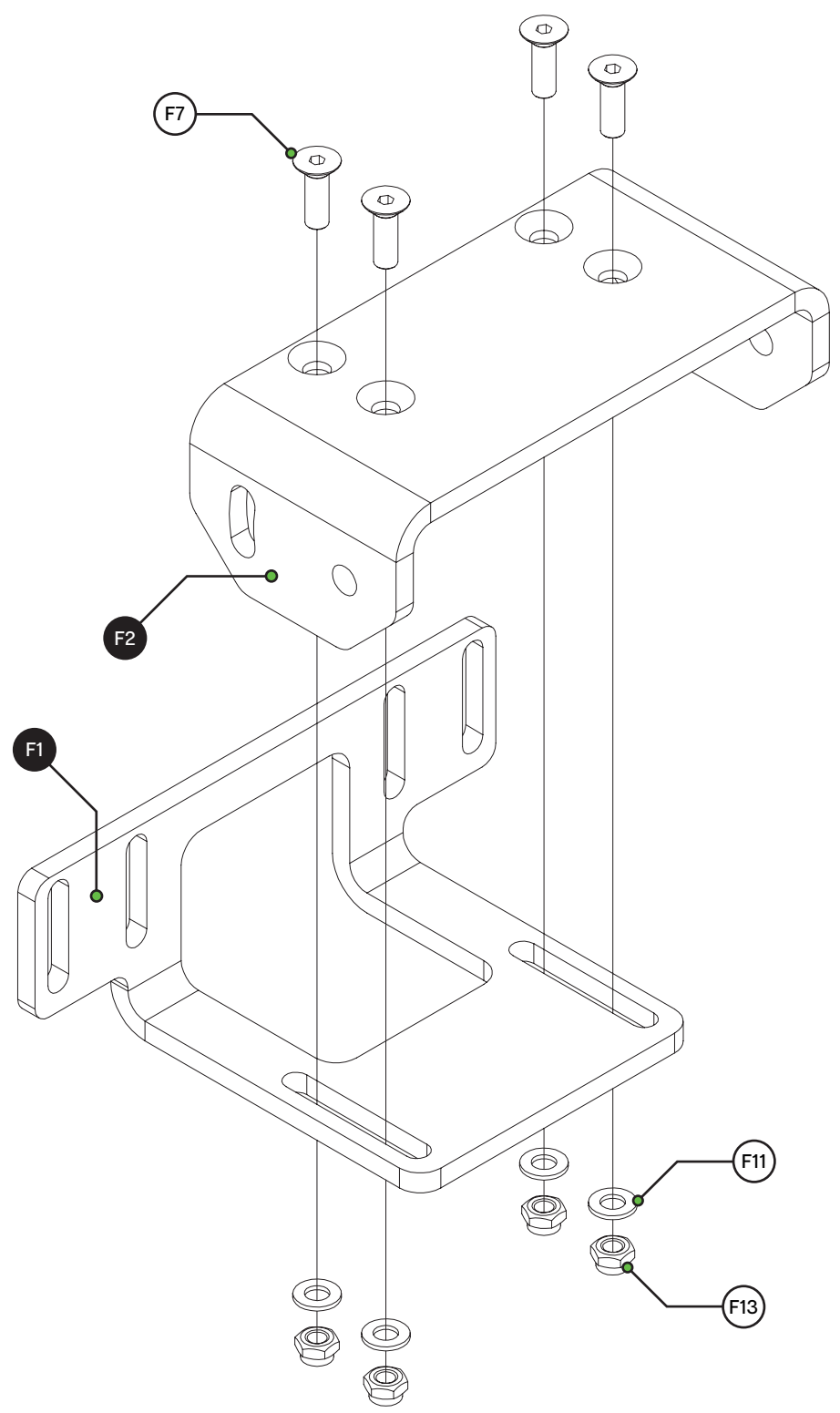
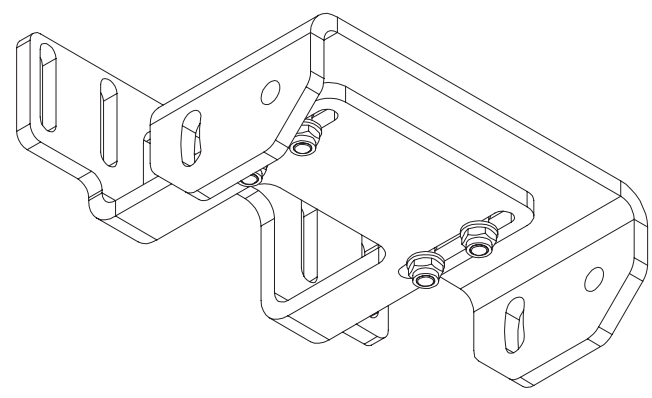
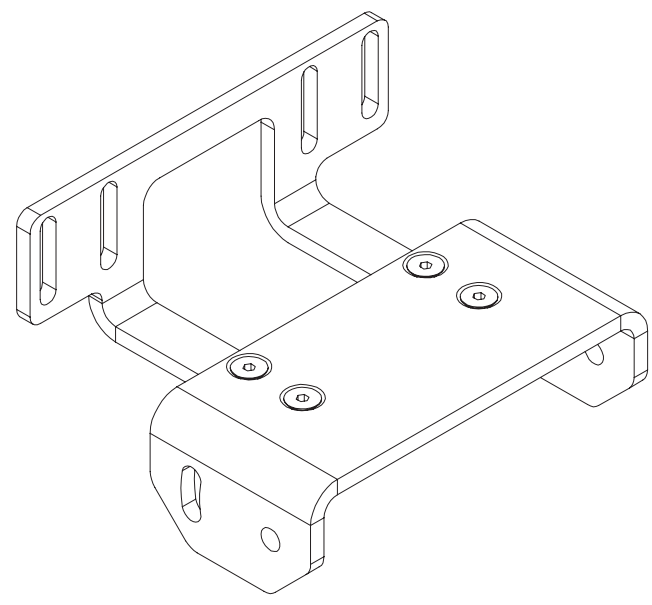


6X

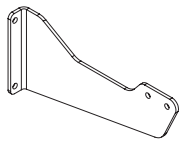


DDU Mount Bracket	DDU Mount Bridge	M5 X 16	Washer M5	Lock-Nut M5
				
1X	1X	4X	4X	4X

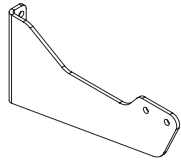
DDU Mount



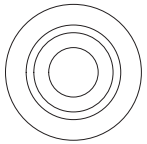
DDU Mount Holder LEFT DDU Mount Holder RIGHT Cap-Washer M6 M6 X 20 Washer M6 Lock-Nut M6



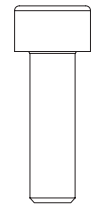
1X



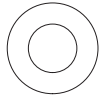
1X



4X



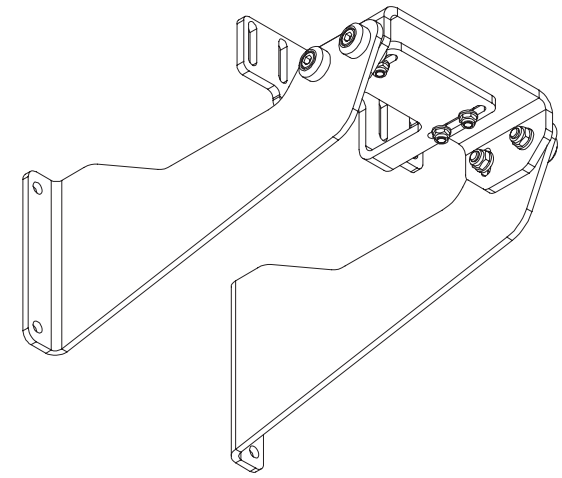
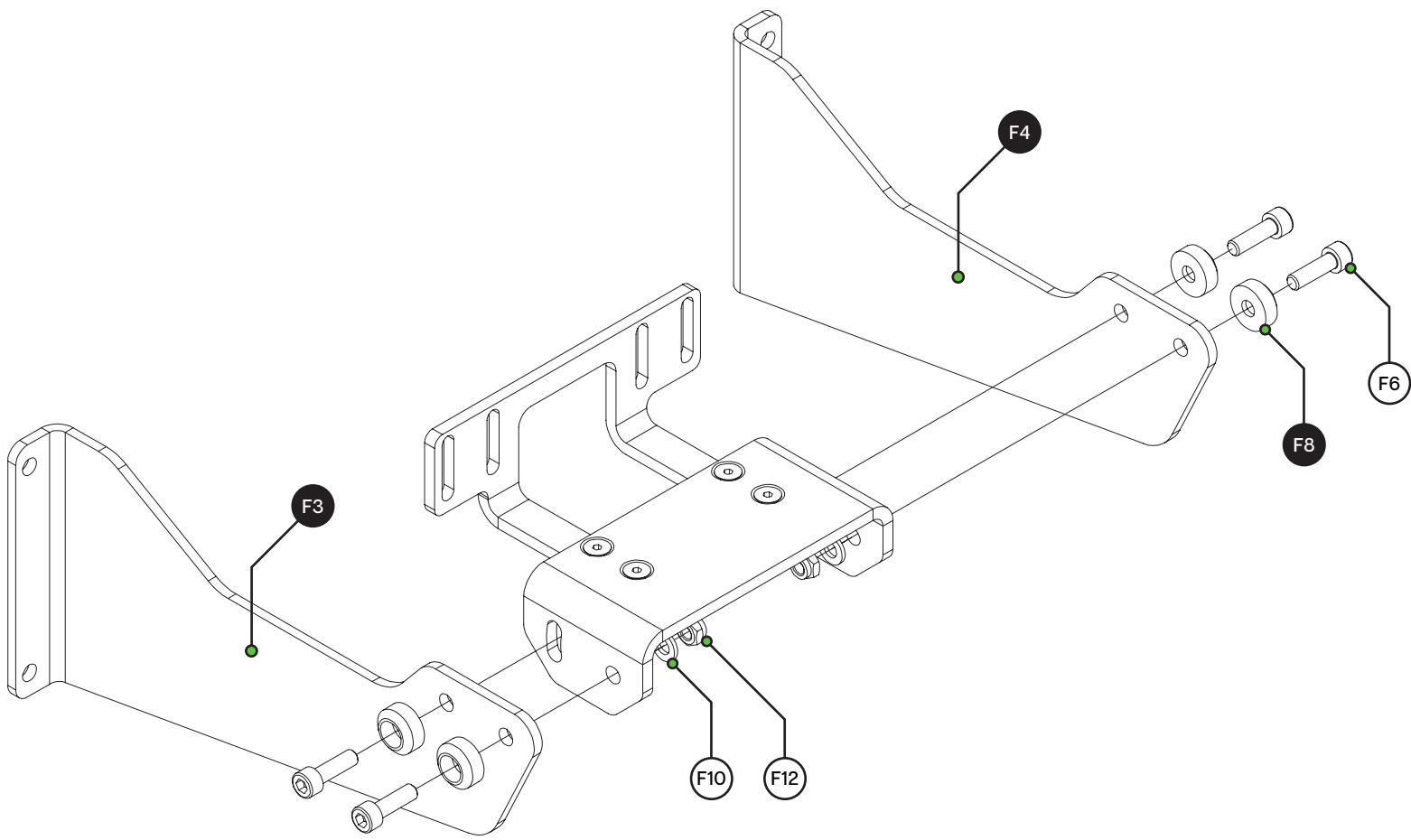
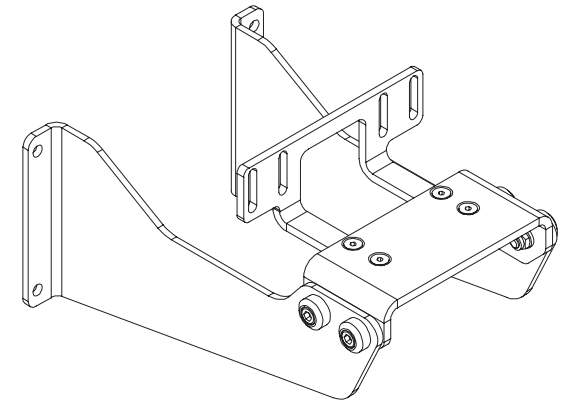
4X



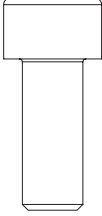
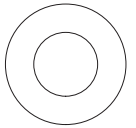
4X

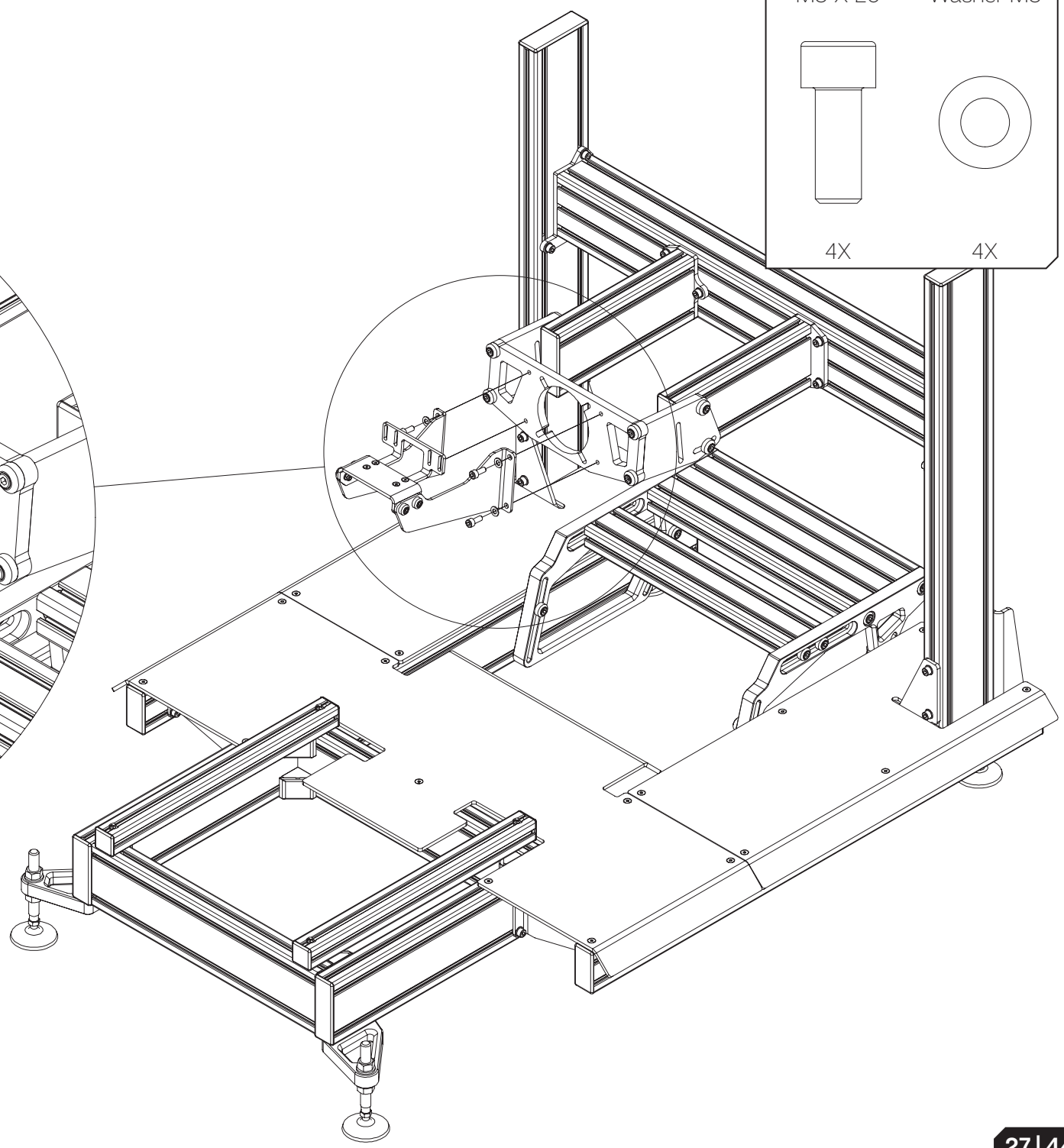
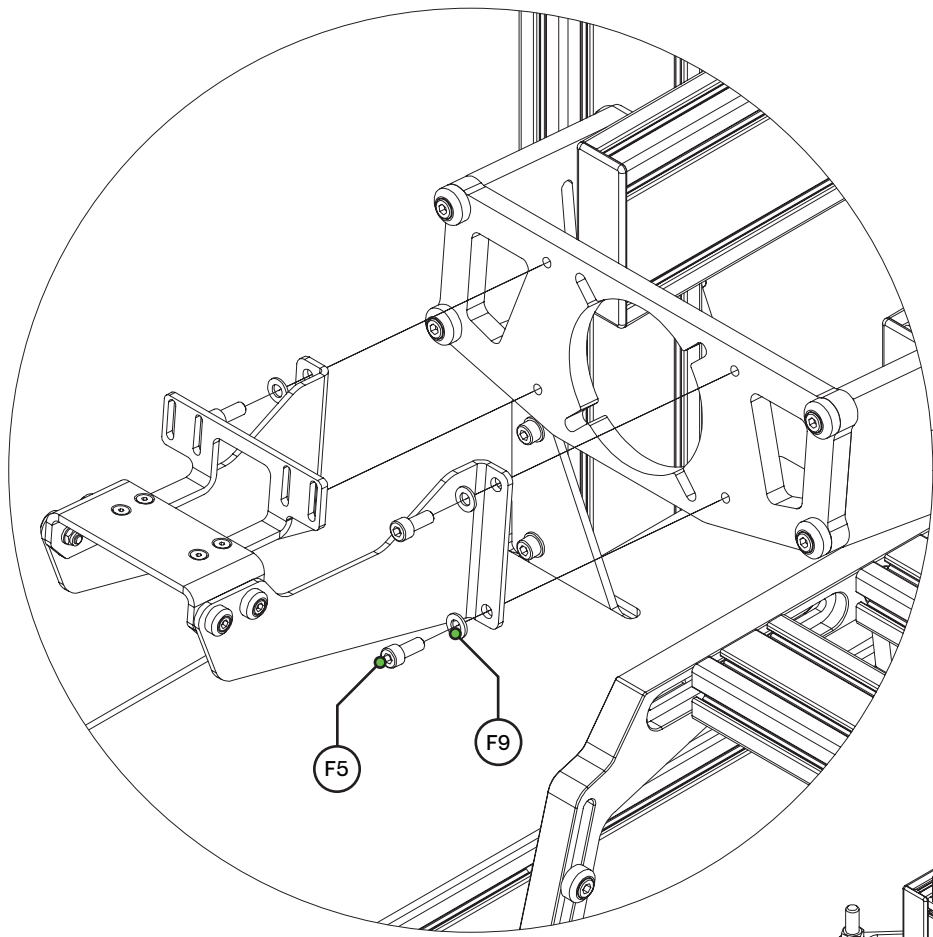


4X



The DDU mount expects our Steering Wheel Extension (K1) to be fitted.

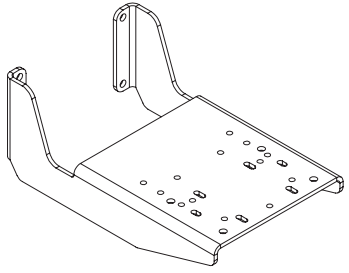
M8 X 20	Washer M8
	
4X	4X



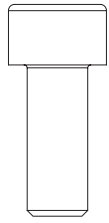
Wheel Deck

M8 X 20

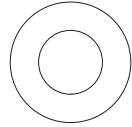
Washer M8



1X

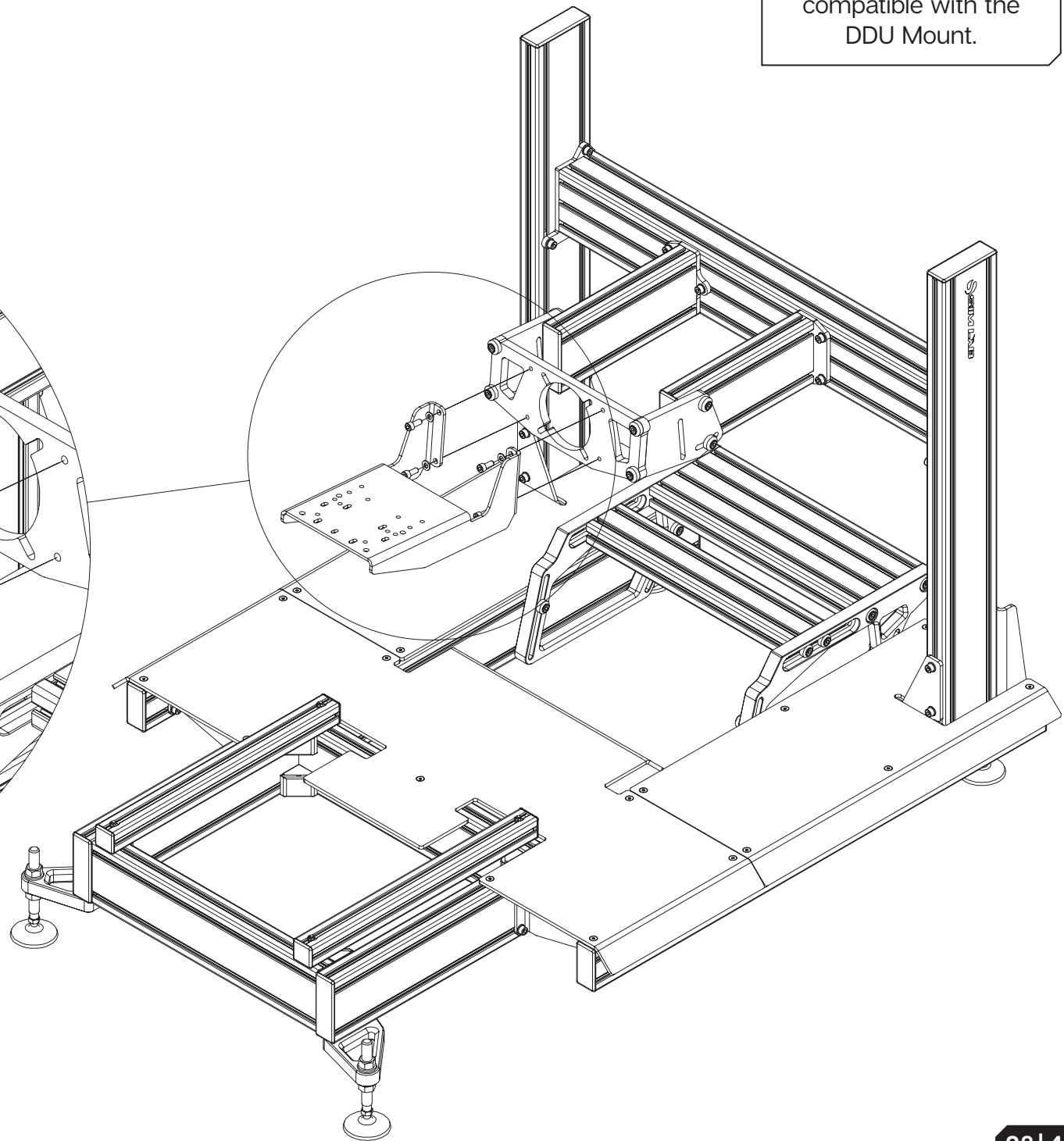
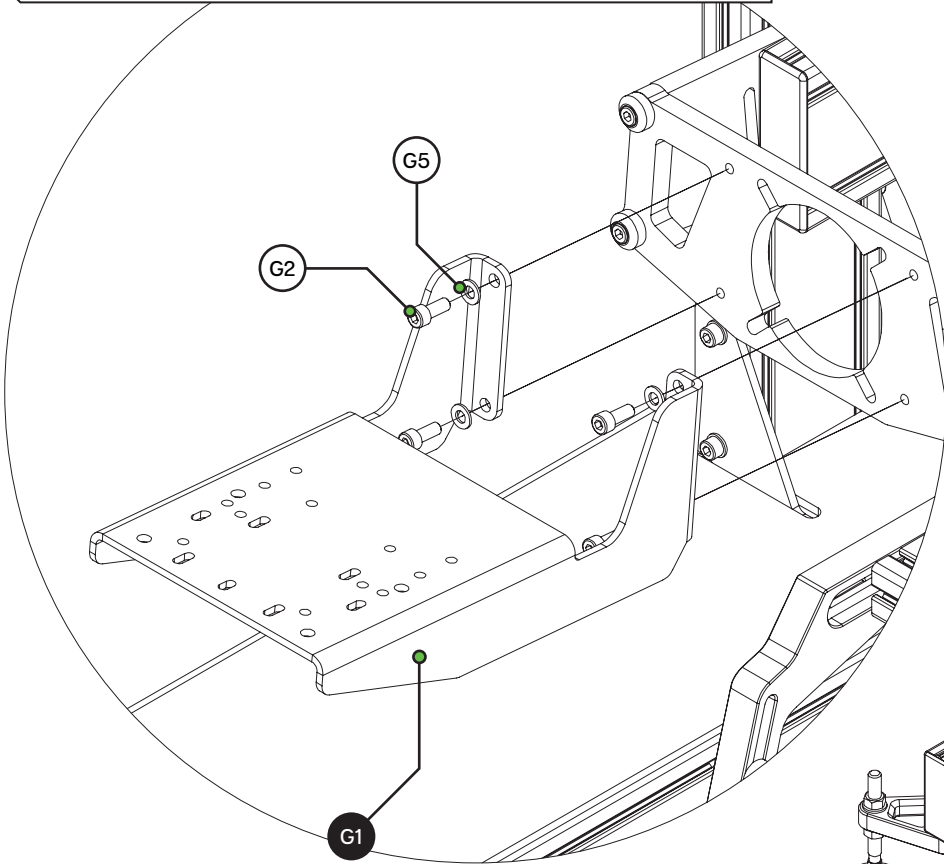


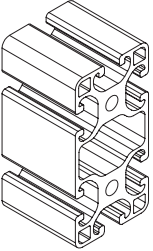
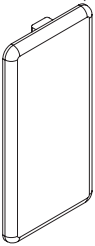
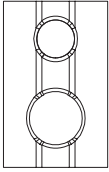
4X

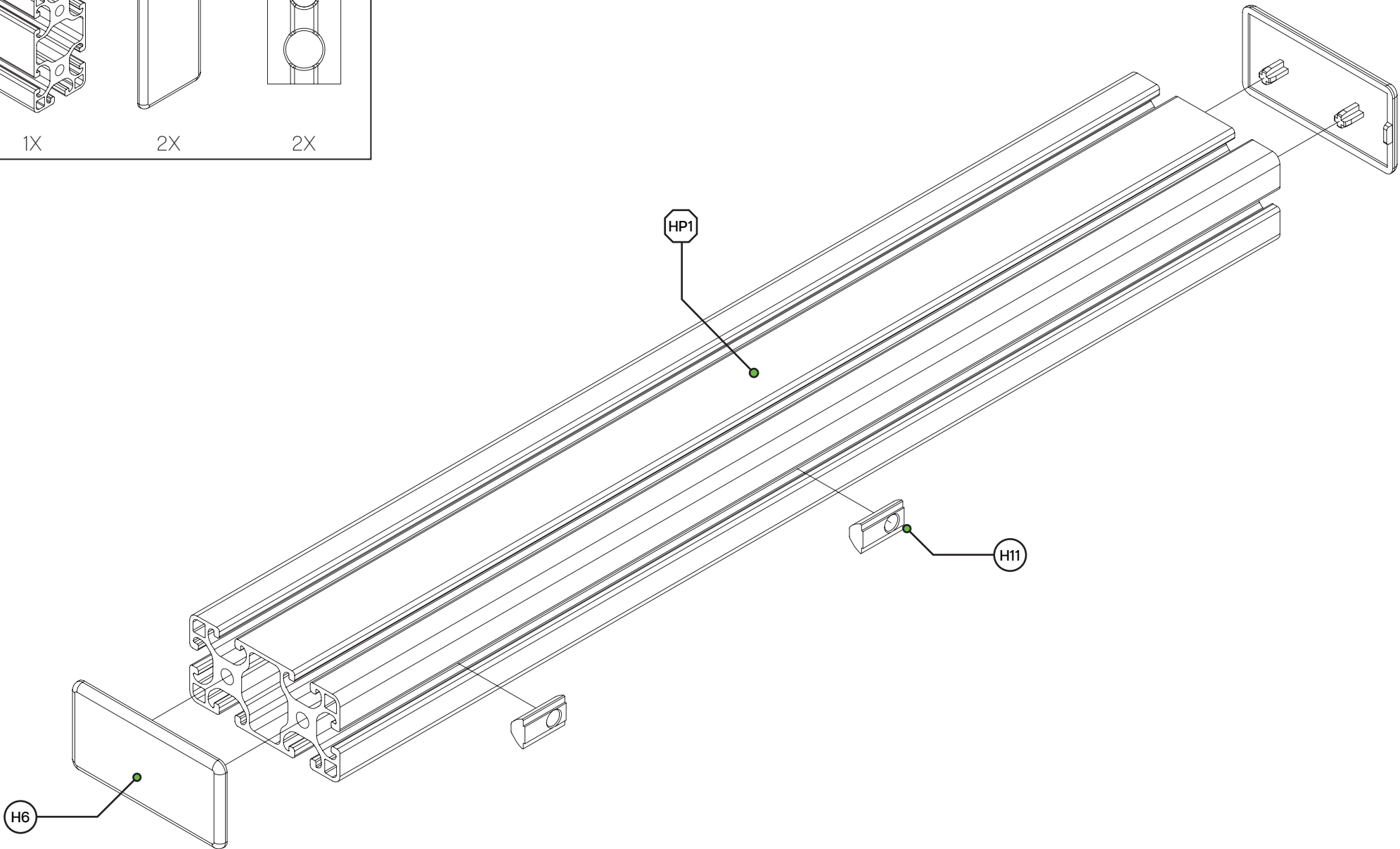


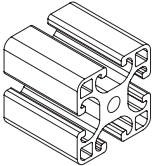
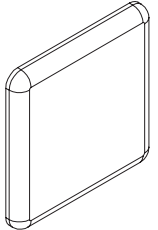
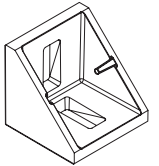
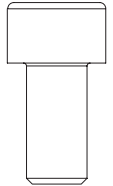
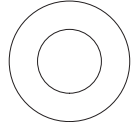
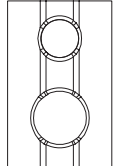
4X

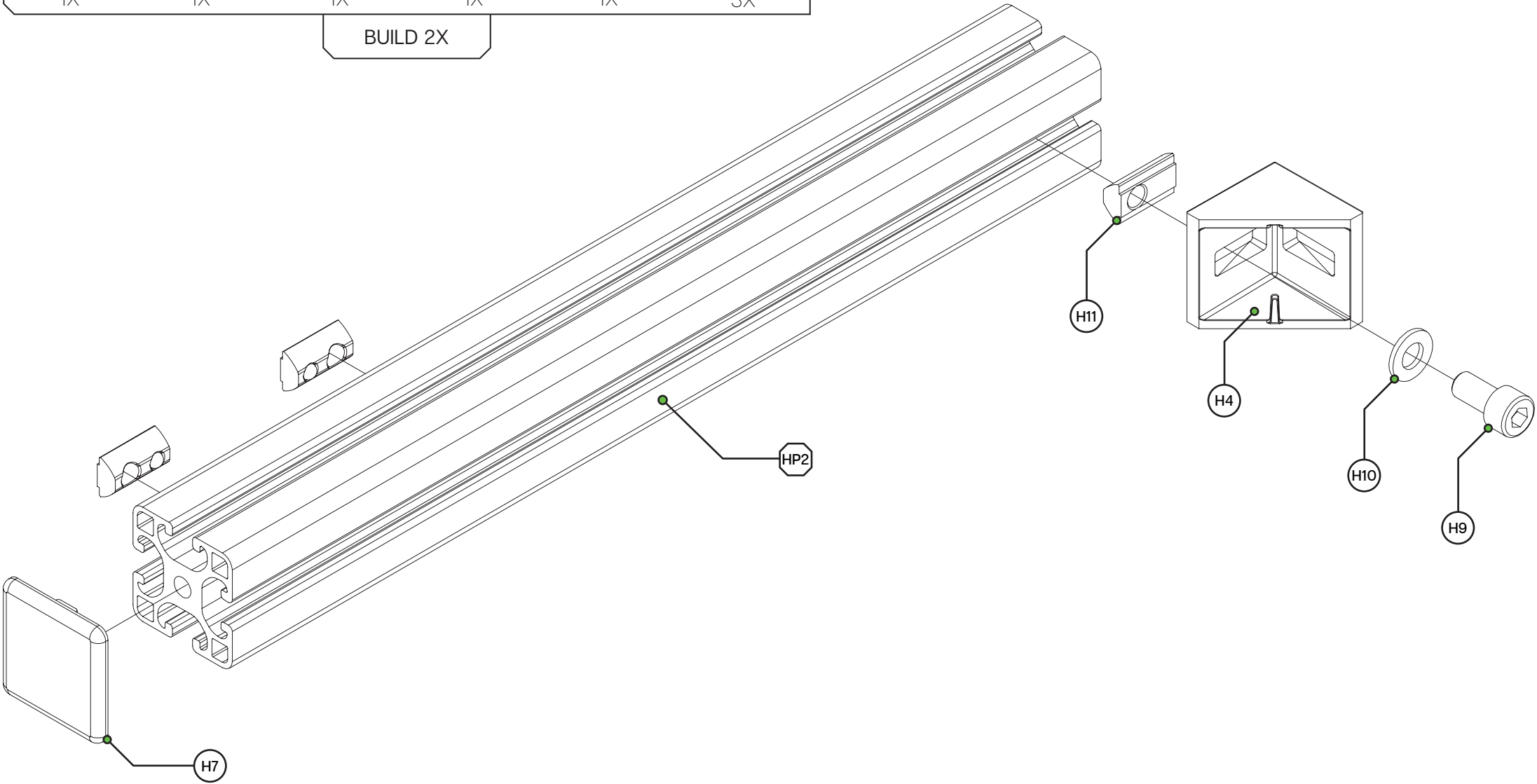
The wheel deck is not compatible with the DDU Mount.

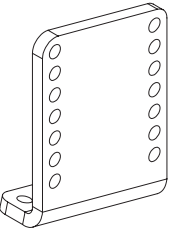
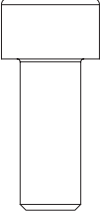
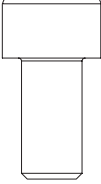
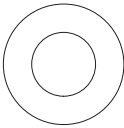
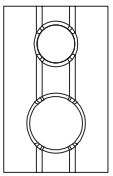


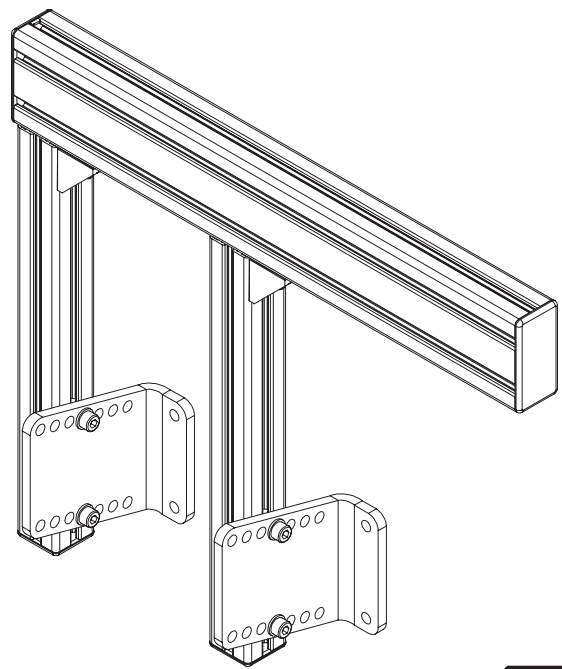
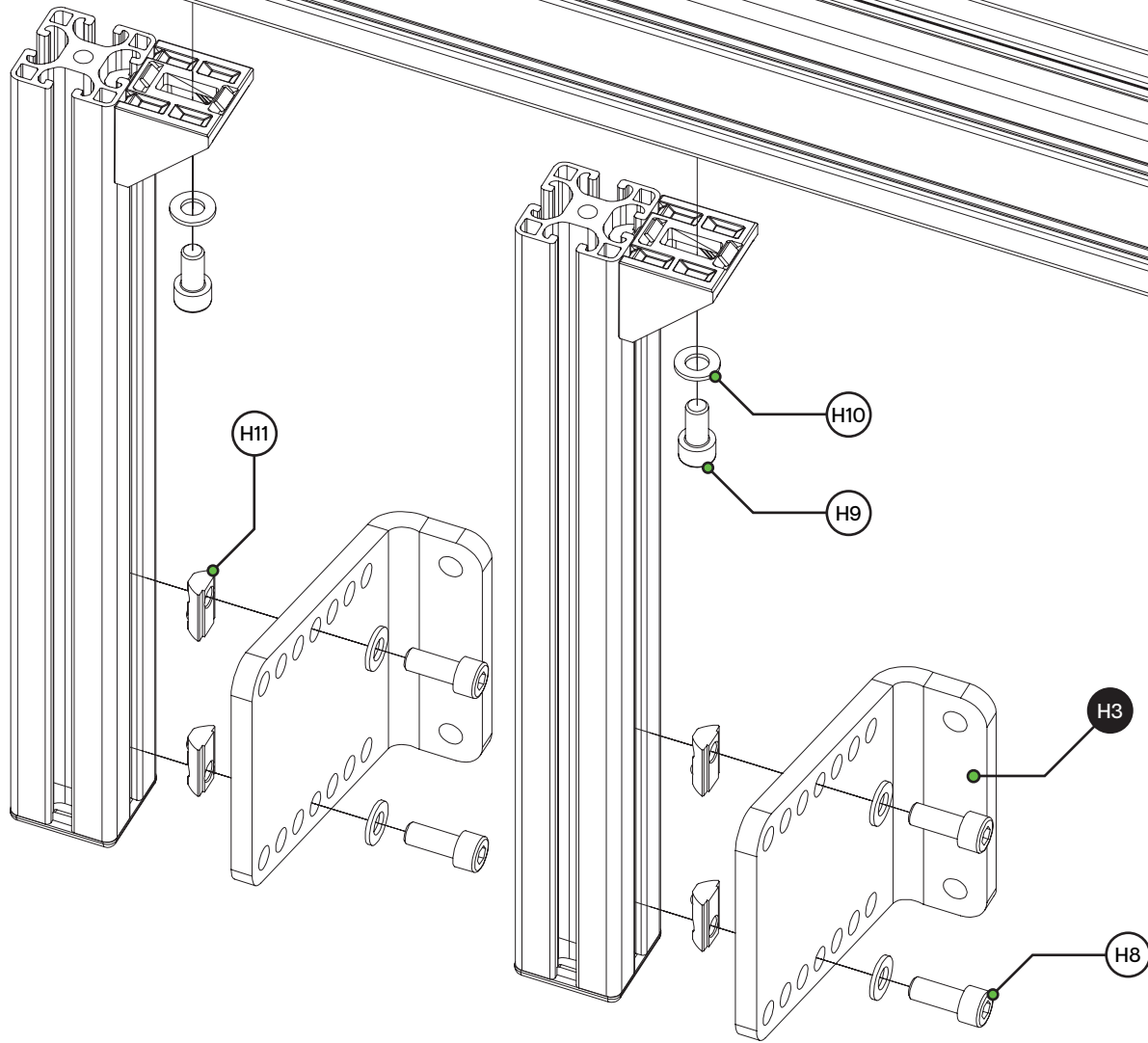
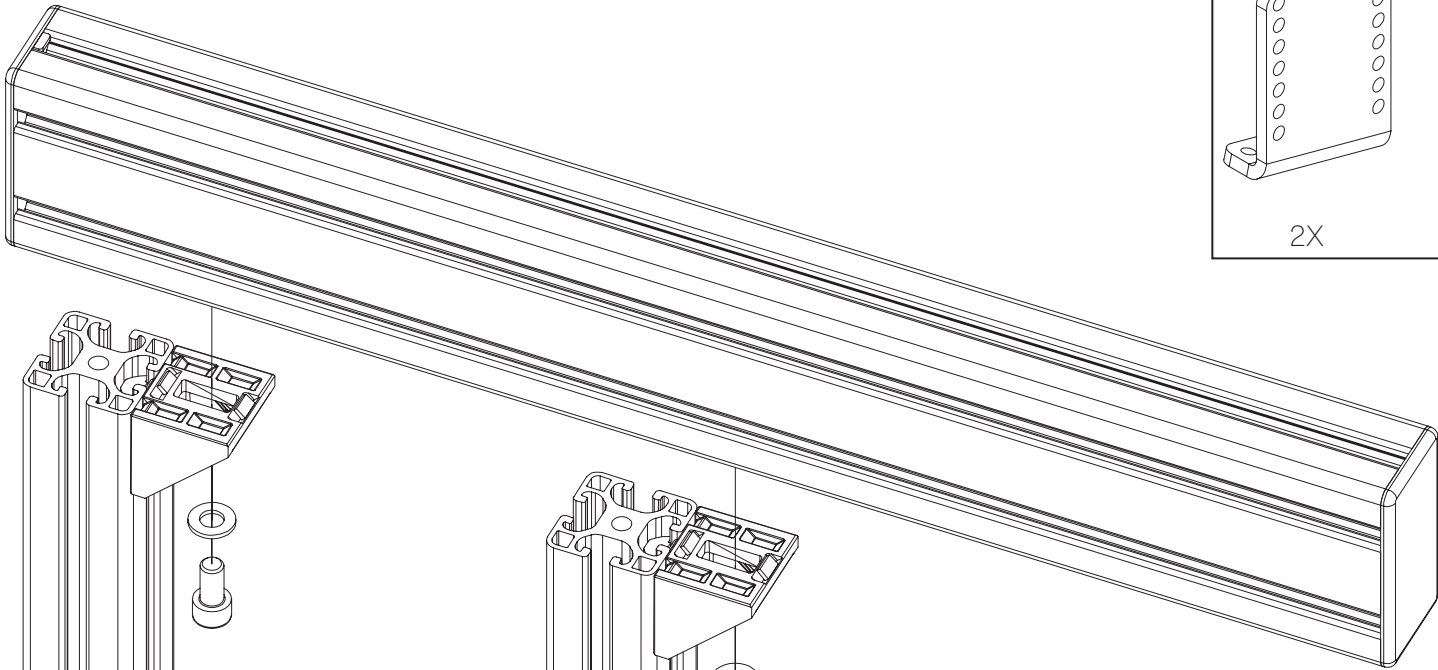
500MM	Profile 80X40 End-Cap	Slot-Nut M8
		
1X	2X	2X



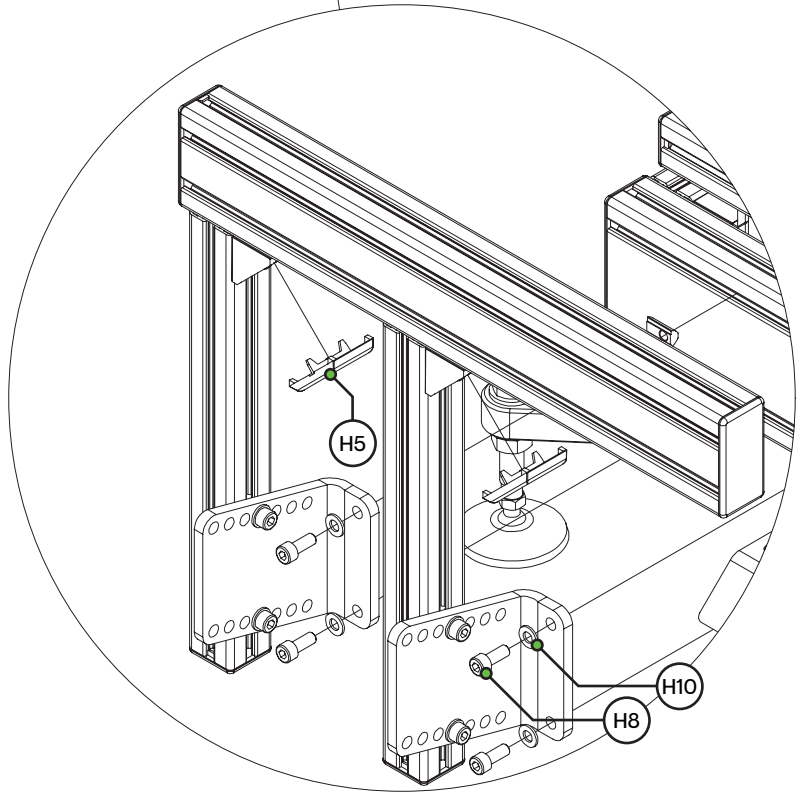
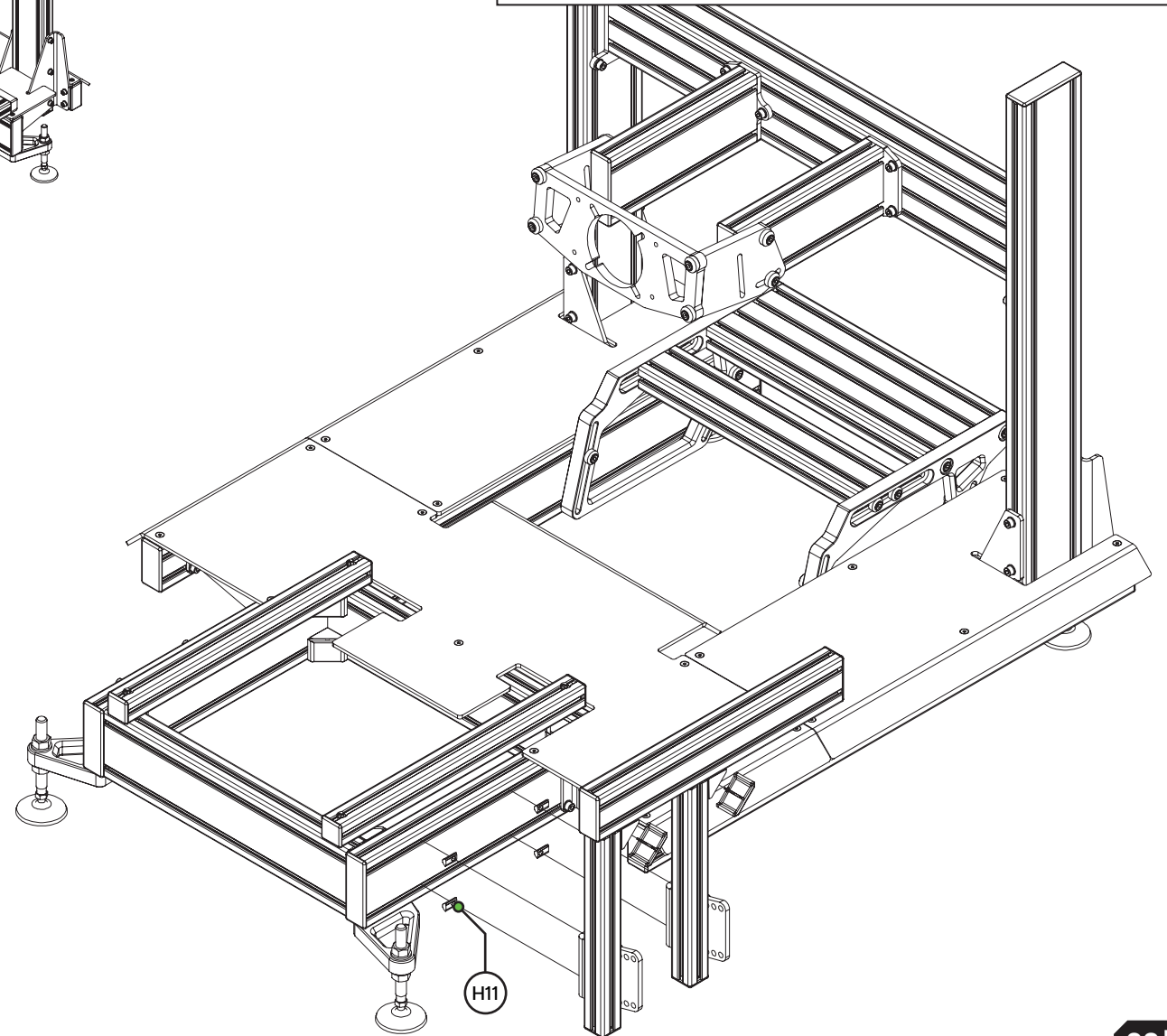
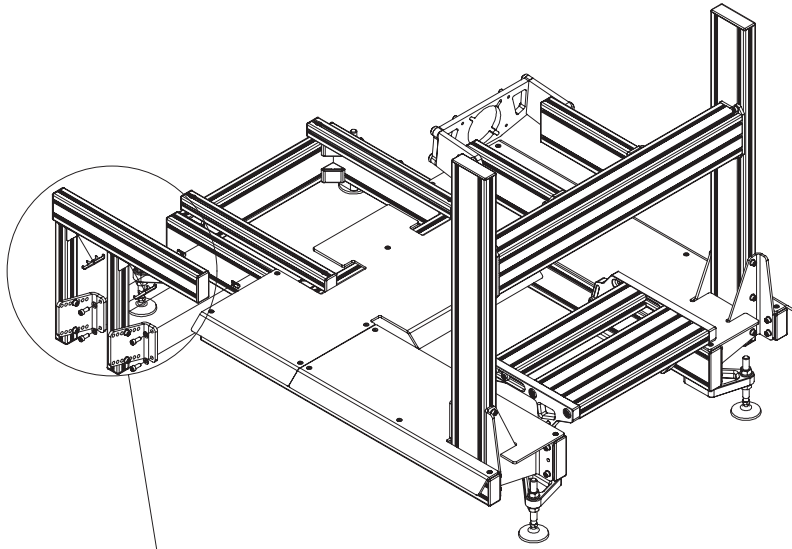
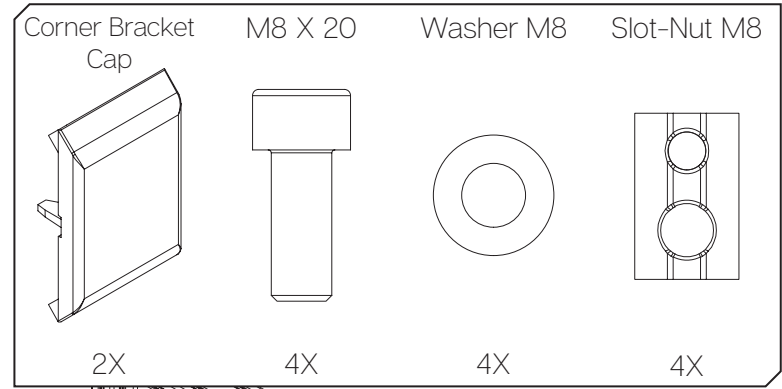
350MM	Profile 40X40 End-Cap	Corner Bracket	M8 X 16	Washer M8	Slot-Nut M8
					
1X	1X	1X	1X	1X	3X
BUILD 2X					

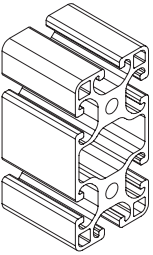
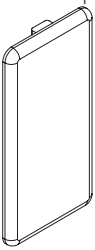
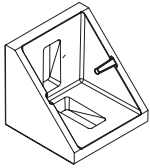
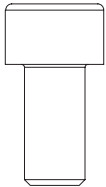
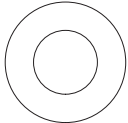
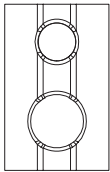


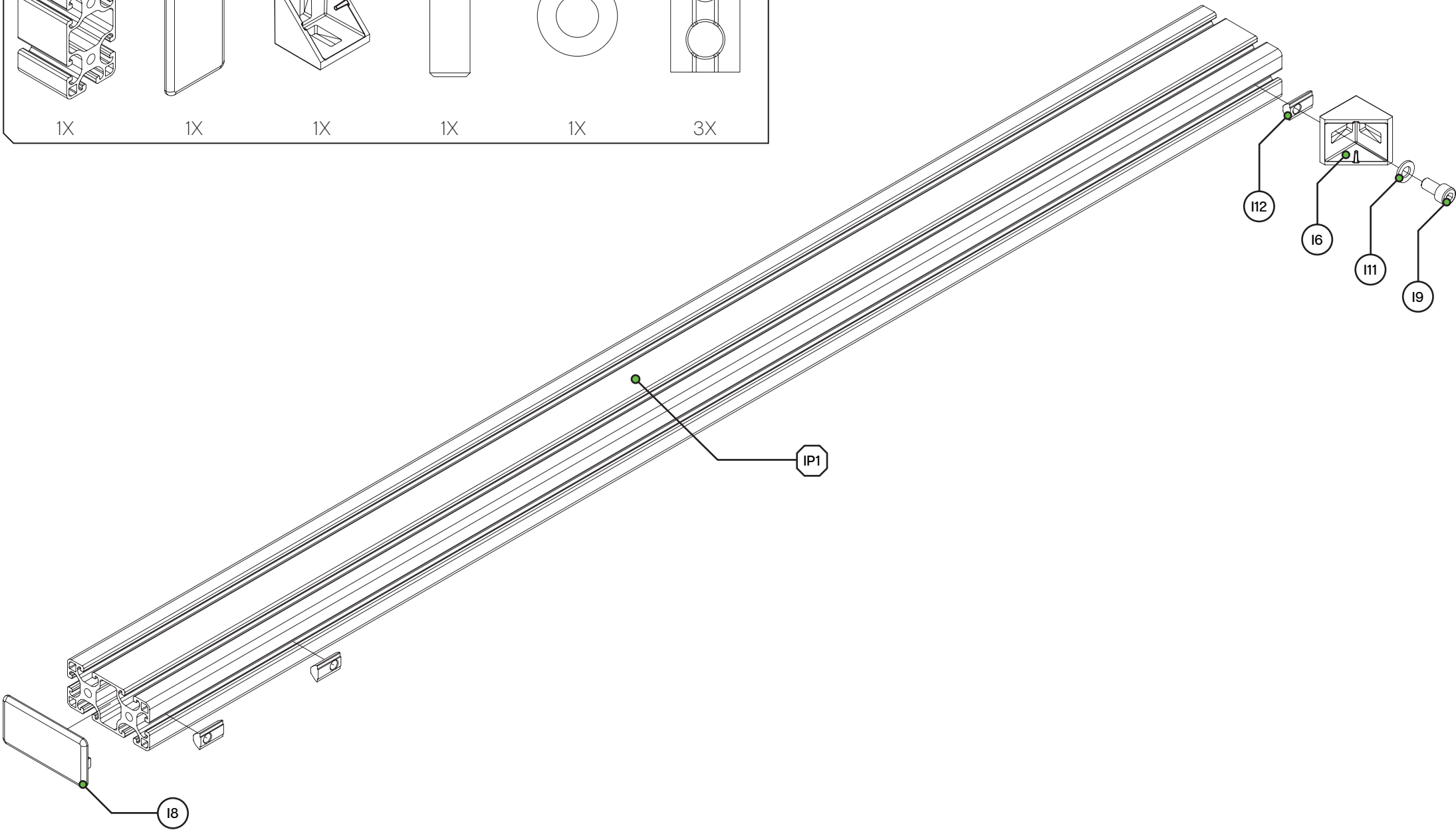
Side Mount Bracket	M8 X 20 (H10)	M8 X 16 (H9)	Washer M8	Slot-Nut M8
				
2X	4X	2X	6X	4X

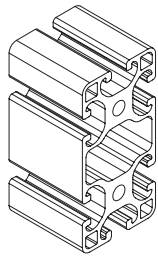
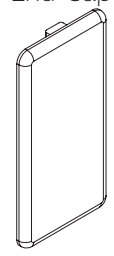
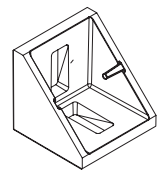
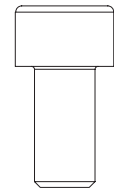
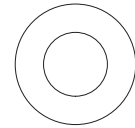
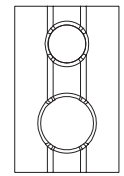


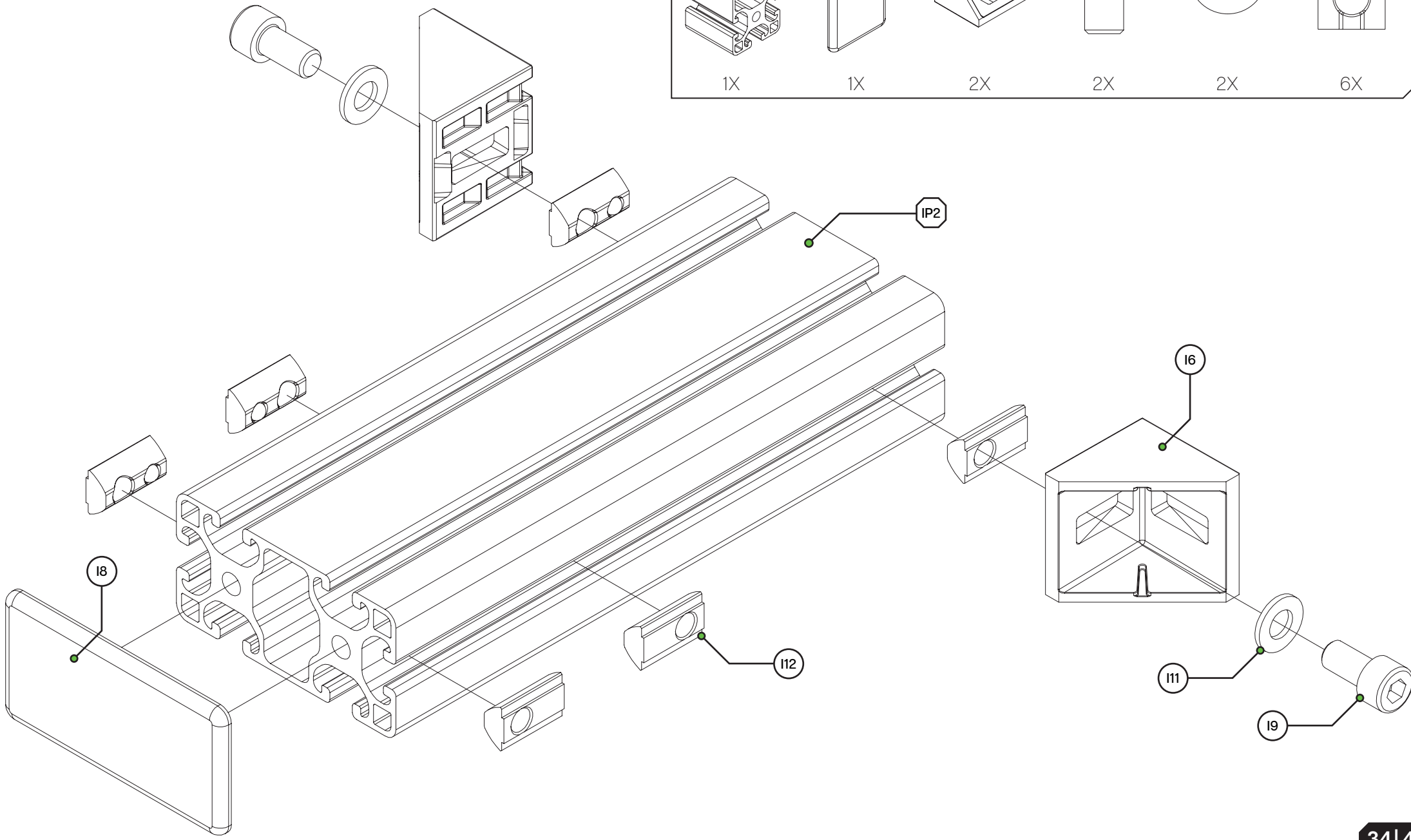
The Side Mount can also be fitted on the left side by simply rotating the mounting brackets.



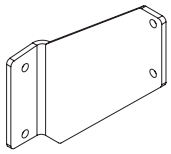
1100MM	Profile 80X40 End-Cap	Corner Bracket	M8 X 16	Washer M8	Slot-Nut M8
					
1X	1X	1X	1X	1X	3X



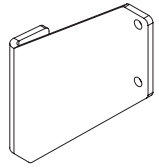
550MM	Profile 80X40 End-Cap	Corner Bracket	M8 X 16	Washer M8	Slot-Nut M8
					
1X	1X	2X	2X	2X	6X



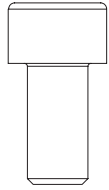
Side Table Bracket LEFT Side Table Bracket RIGHT M8 X 16 Washer M8 Slot-Nut M8



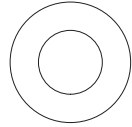
1X



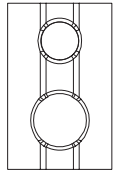
1X



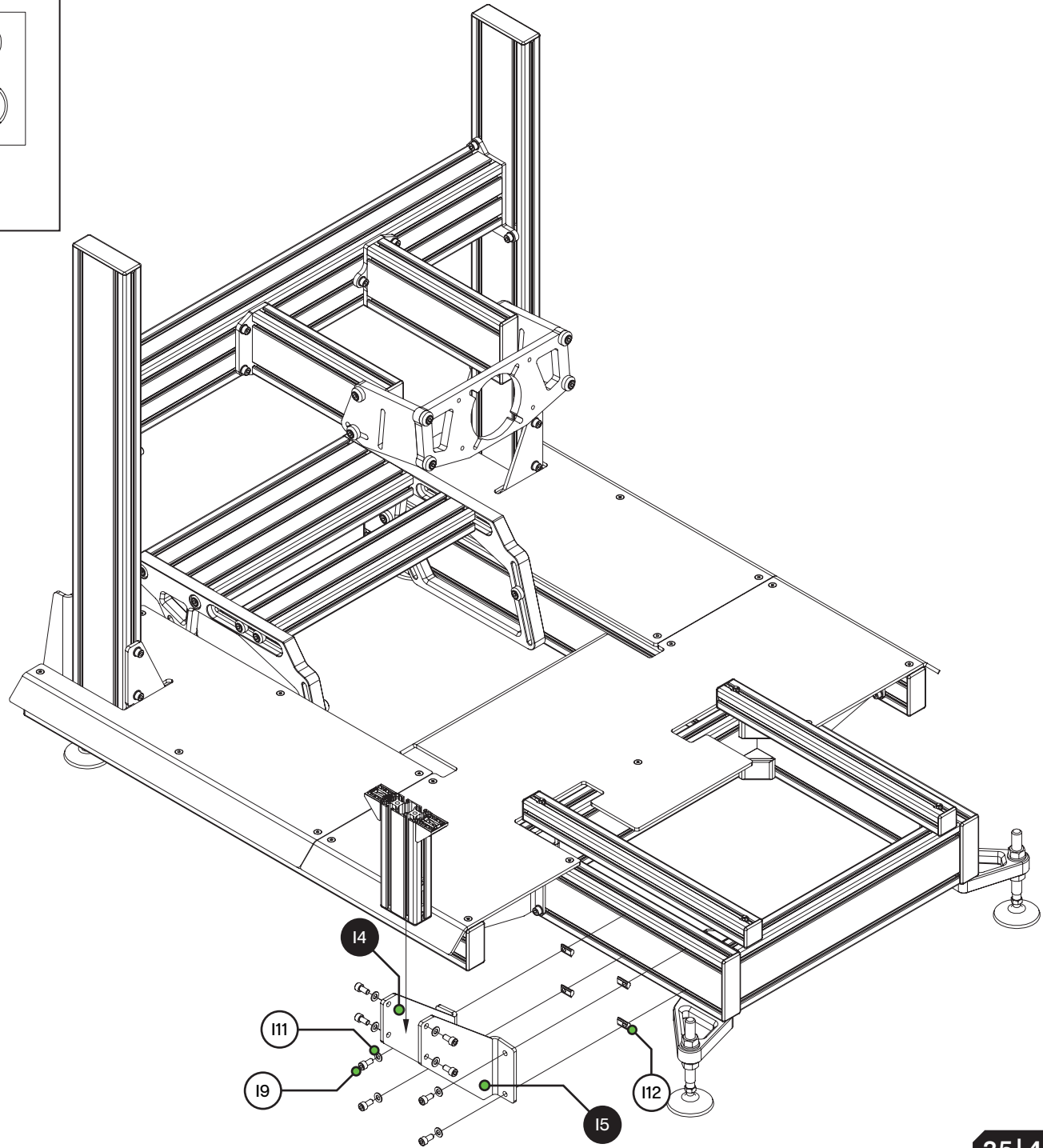
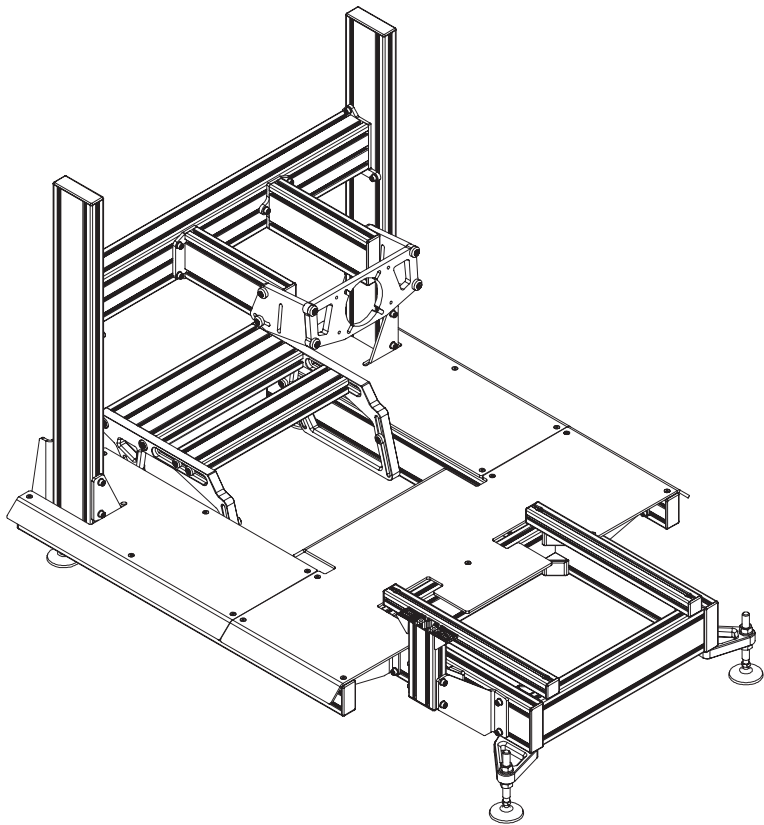
8X

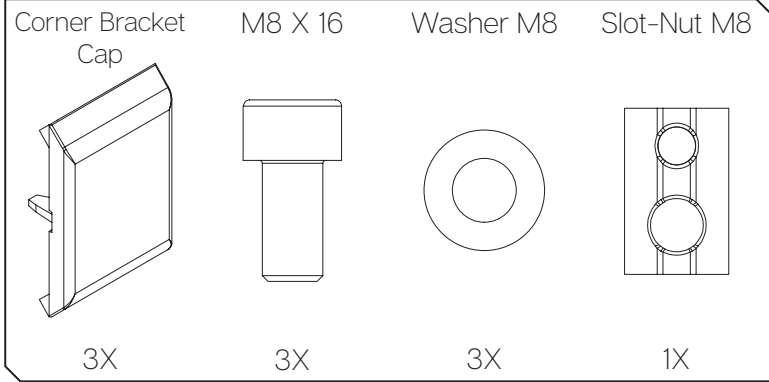


8X

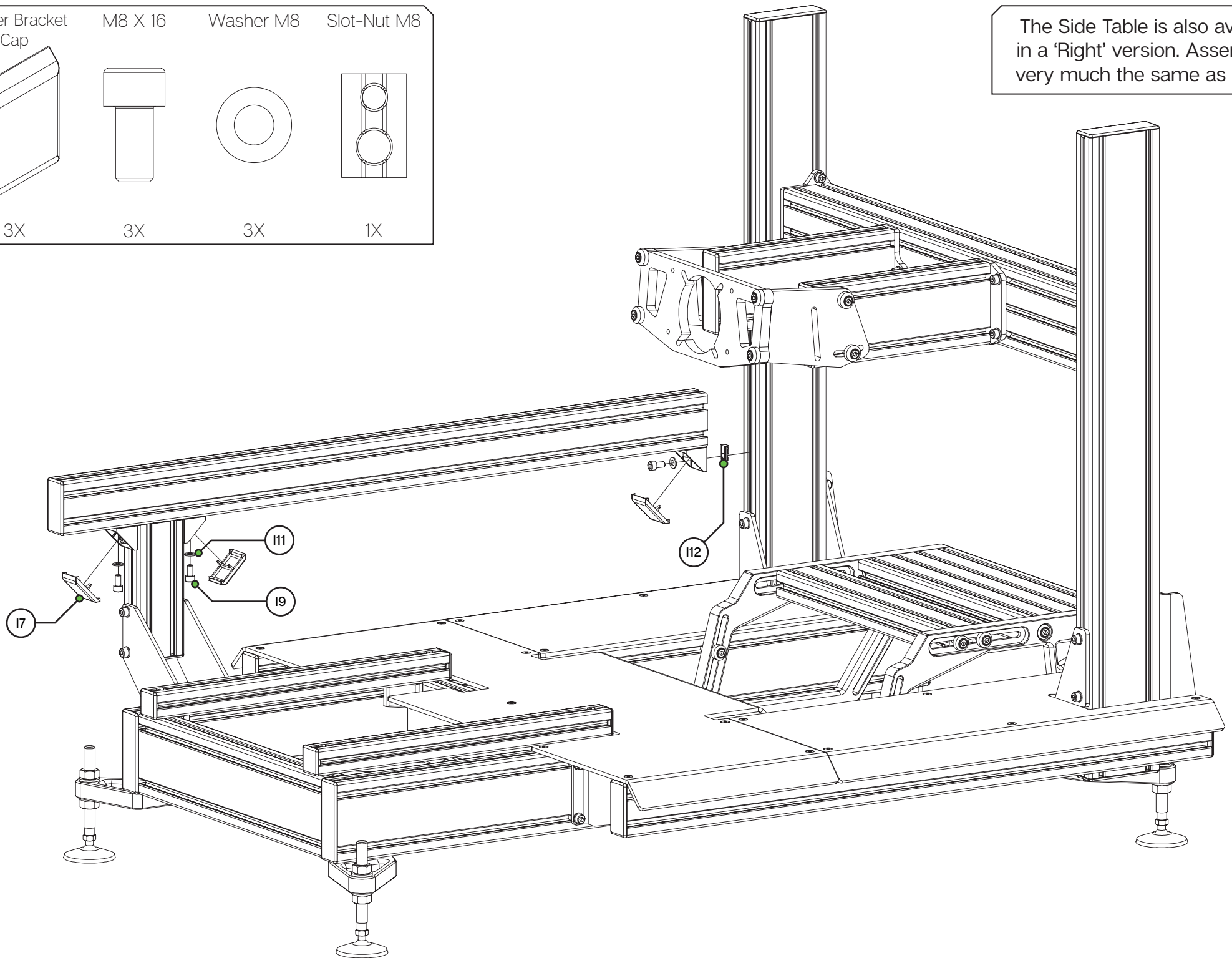


4X

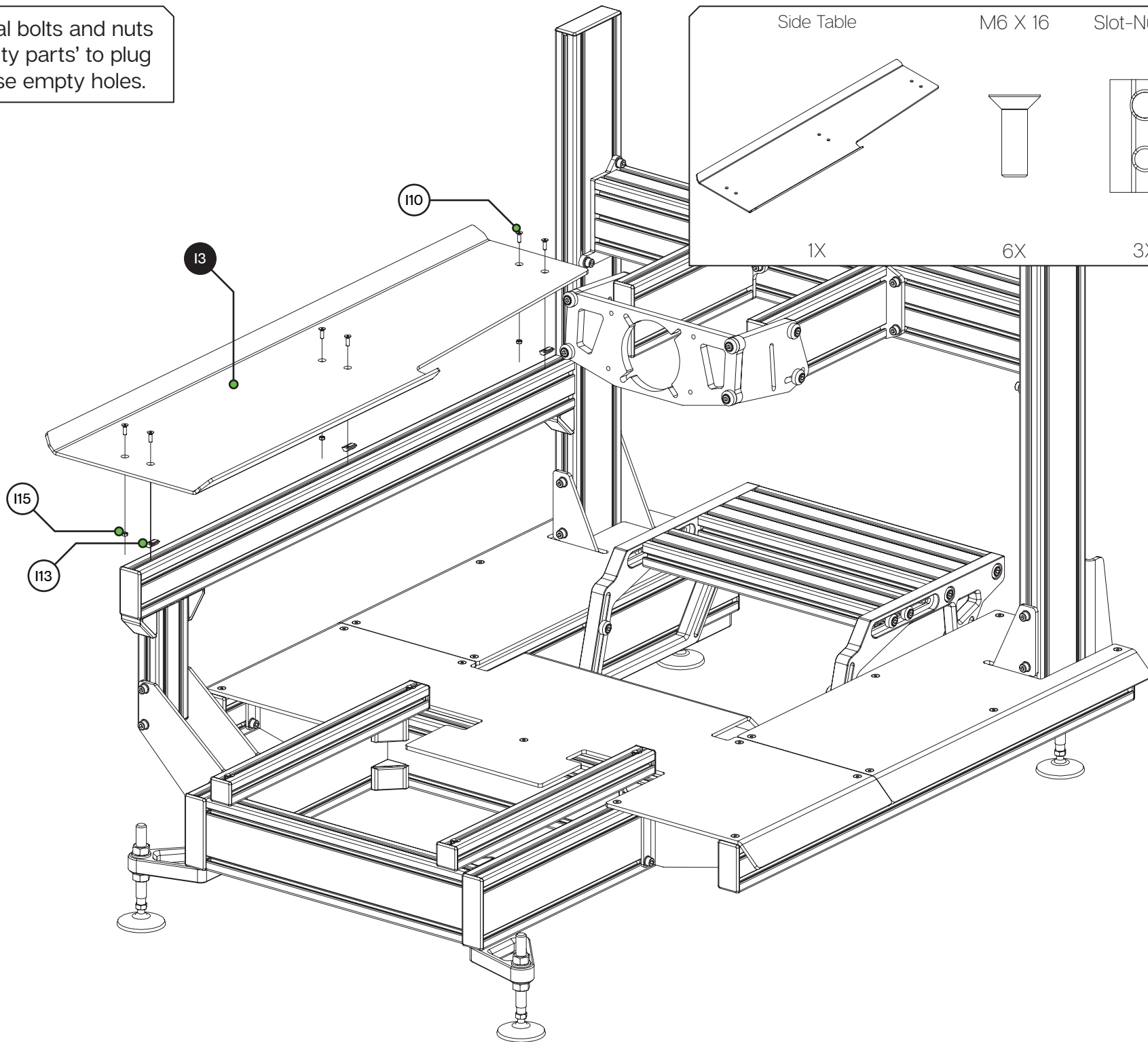




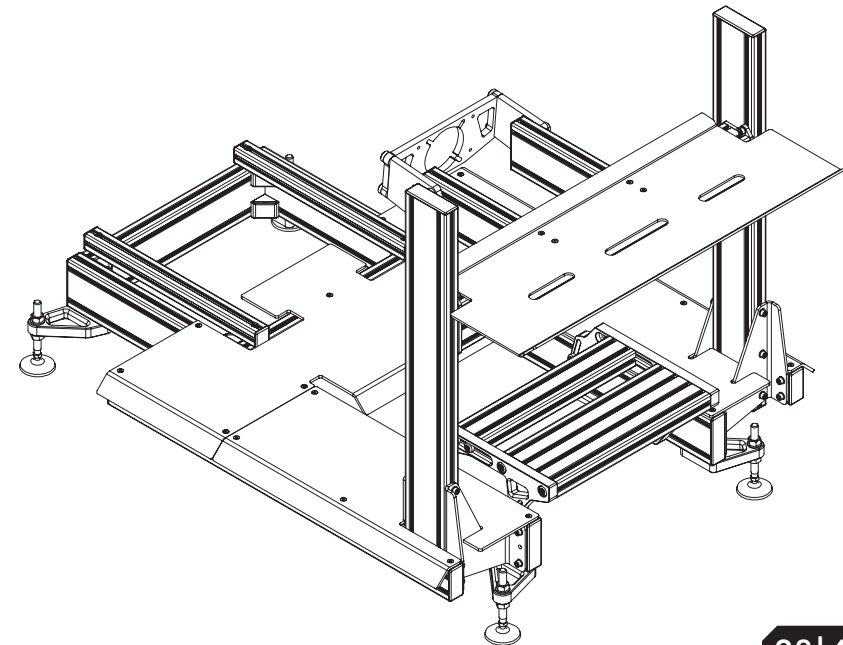
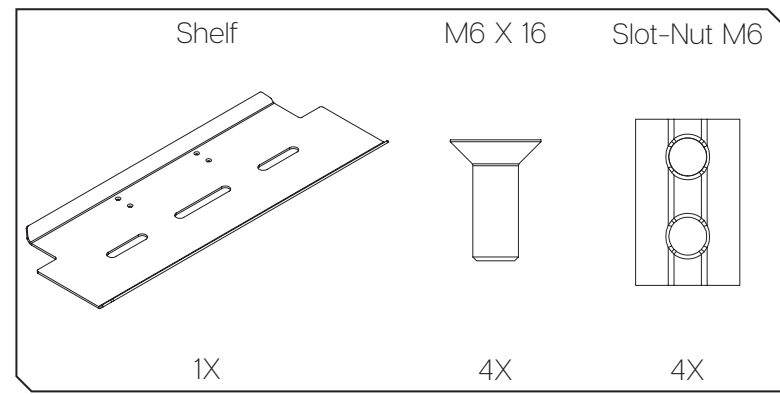
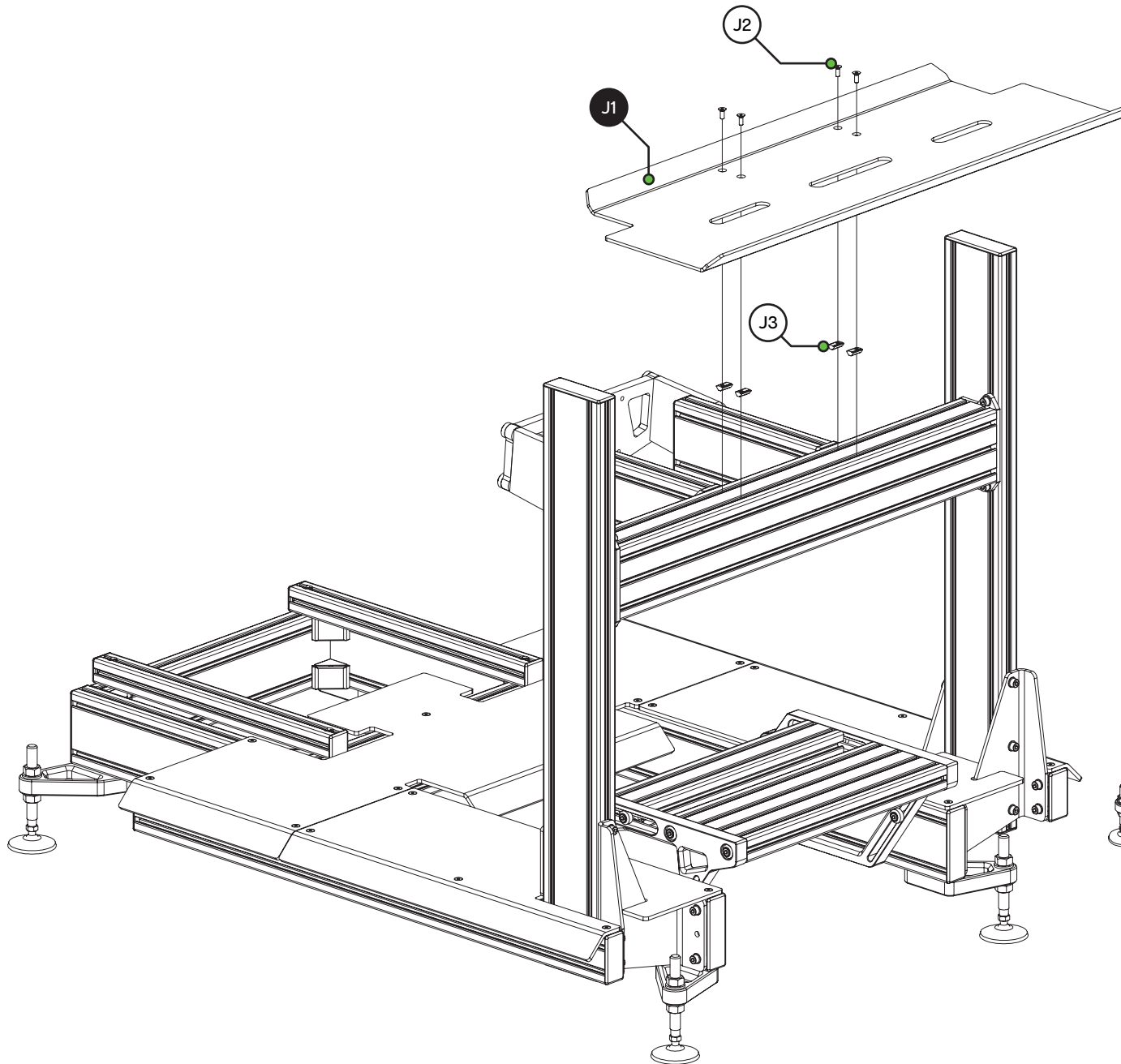
The Side Table is also available in a 'Right' version. Assembly is very much the same as shown.

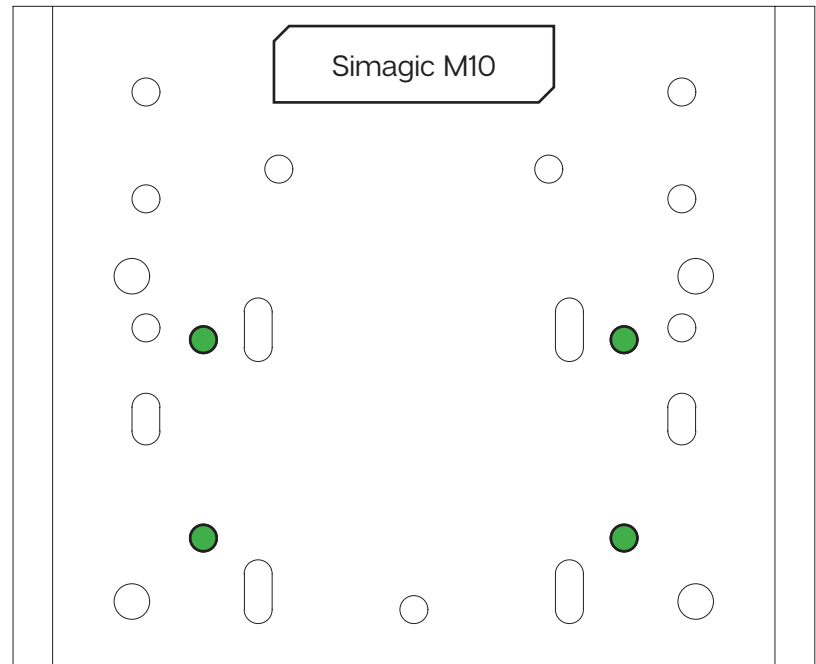
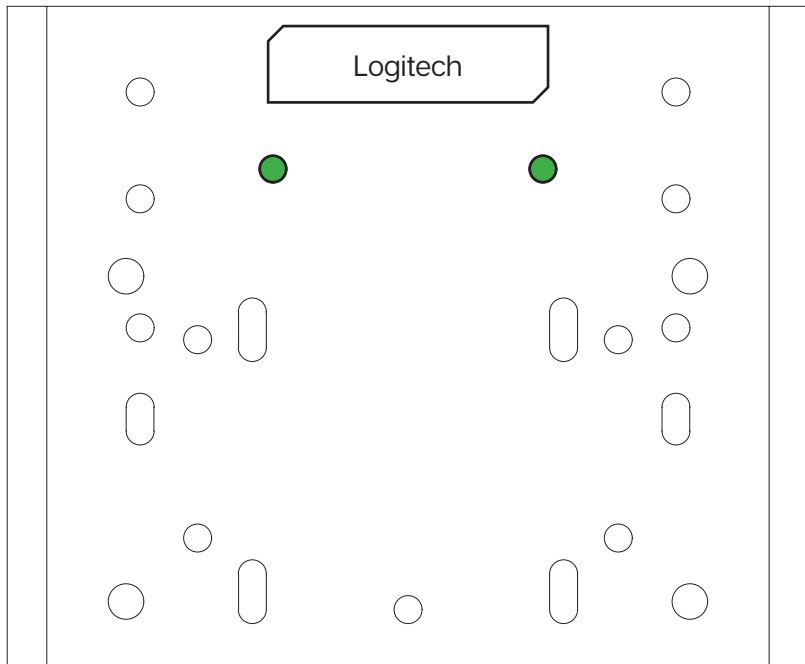
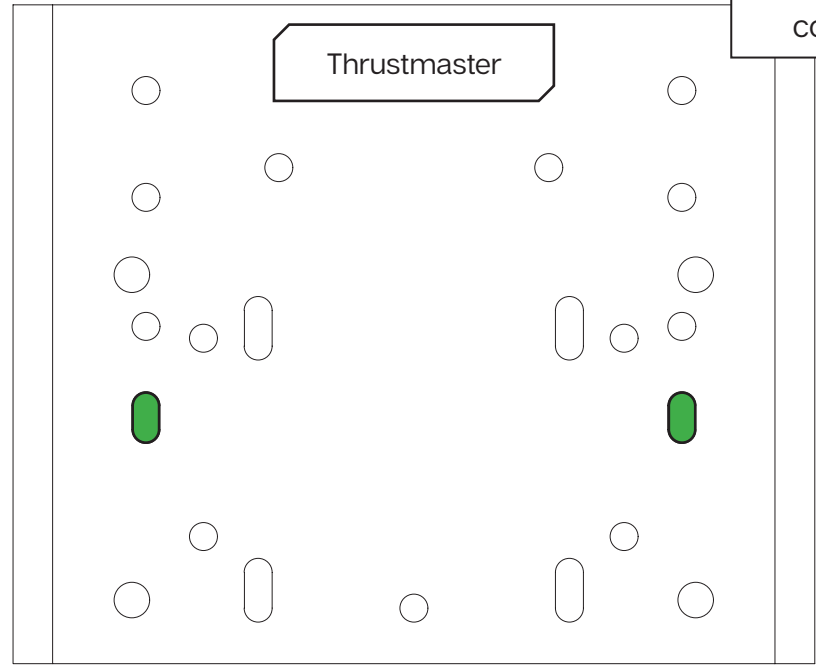
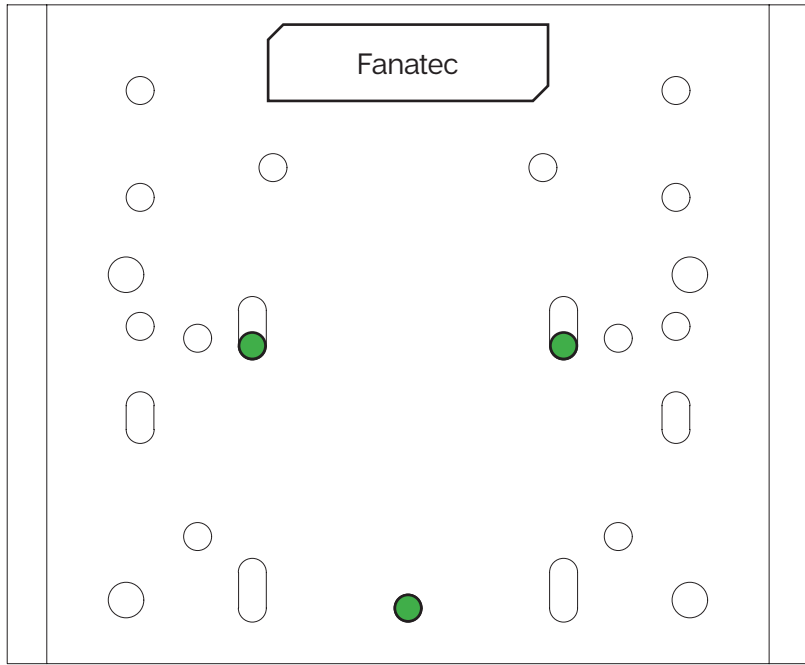


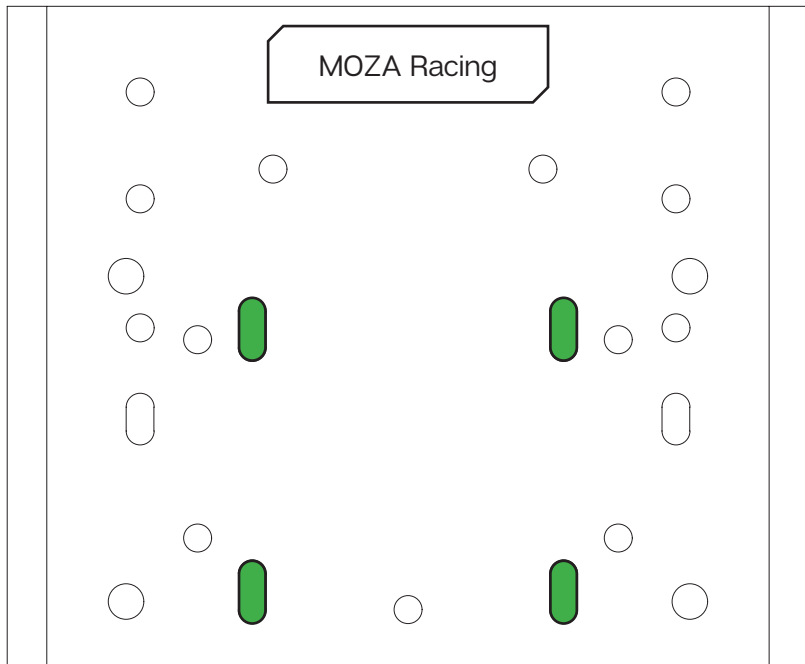
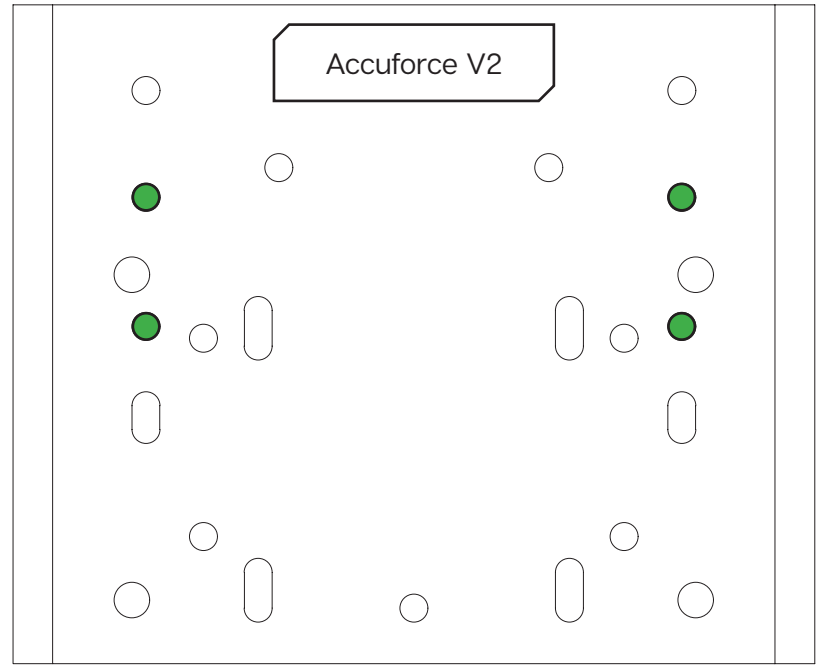
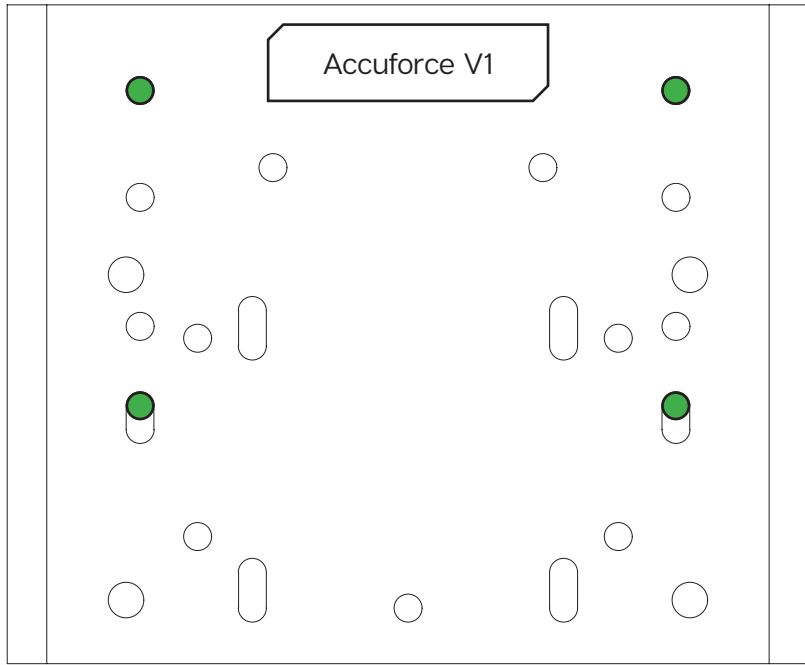
The additional bolts and nuts are just 'vanity parts' to plug the otherwise empty holes.



Shelf







BOX A - X1-Pro Base PROFILE KIT			
#	Part	QTY	Note
AP1	120X40 Length=1350mm	2	
AP2	120X40 Length=500mm	2	
AP3	40X40 Length=500mm	2	
HARDWARE KIT			
A4	Corner bracket 40x40	8	
A5	Corner bracket 40x40 cap	8	
A6	Profile 120x40 end-cap	4	
A7	Profile 40x40 end-cap	4	
A8	Bolt M8 X 40 DIN 912	4	
A9	Bolt M8 X 16 DIN 912	16	
A10	Washer M8 DIN 125-A	16	
A11	Washer M8 DIN 988	4	
A12	Slot-Nut M8	20	

BOX B - X1-Pro Add-On PROFILE KIT			
#	Part	QTY	Note
BP1	120X80 Length=848mm	1	
BP2	120X40 Length=260mm	2	To attach front mount.
BP3	120X40 Length=950mm	2	Uprights.
BP4	80X40 Length=1000mm	2	
HARDWARE KIT			
B5	Upright LF	1	
B6	Upright LR	1	
B7	Upright RF	1	
B8	Upright RR	1	
B9	Sandwich plate 120X80	2	B9.A Left / B9.B Right.
B10	Sandwich plate 120X40	2	

#	Part	QTY	Note
B11	Front mount	1	
B12	Front mount side plate	2	
B13	Profile 120x40 end-cap	6	
B14	Profile 80x40 end-cap	4	
B15	Bolt M8 X 30 DIN 912	8	
B16	Bolt M8 X 20 DIN 912	12	
B17	Bolt M8 X 16 DIN 912	20	
B18	Bolt M8 X 20 DIN 7991	12	Countersunk.
B19	Cap-Washer M8	8	
B20	Washer M8 DIN 125-A	32	
B21	Washer M8 DIN 988	8	Used with M8 cap-washers.
B22	Slot-Nut M8	36	
B23	Cross cable binder block	10	

Disclaimer: for some entries on this page, we supply more than required as spare materials. Don't worry if you have some leftovers, this is intentional.

**BOX C - Sim Feet
HARDWARE KIT**

#	Part	QTY	Note
C1	Foot support plate	4	
C2	Foot	4	Threaded ball-joint rod fitted.
C3	Bolt M8 X 25 DIN 912	8	
C4	Washer M16 DIN 125-A	8	
C5	Nut M16	8	4 pre-fitted.
C6	Slot-Nut M8	8	

**BOX D - Pedal Deck
PROFILE KIT**

#	Part	QTY	Note
D1	160X40 Length=470mm	1	
D2	80X40 Length=470mm	1	

HARDWARE KIT

D3	Pedal deck bracket	2	
D4	Bolt M8 X 40 DIN 912	6	
D5	Bolt M8 X 30 DIN 912	8	
D6	Bolt M6 X 16 DIN 912	12	Extra.
D7	Bolt M5 X 16 DIN 912	12	Extra.
D8	Cap-Washer M8	14	
D9	Washer M8 DIN 988	14	
D10	Slot-Nut M8	6	
D11	Slot-Nut M6	12	Extra.
D12	Slot-Nut M5	12	Extra.

**BOX E - Floor
HARDWARE KIT**

#	Part	QTY	Note
E1	Floor	1	
E2	Floor LEFT	1	
E3	Floor RIGHT	1	
E4	Floor support LEFT	1	
E5	Floor support RIGHT	1	
E6	Bolt M8 X 16 DIN 912	16	
E7	Bolt M6 X 16 DIN 7991	21	Countersunk.
E8	Washer M8 DIN 125-A	16	
E9	Slot-Nut M8	16	
E10	Slot-Nut M6	21	

**BOX F - DDU Mount (optional installation, extension required)
HARDWARE KIT**

#	Part	QTY	Note
F1	DDU mount bracket	1	
F2	DDU mount bridge	1	
F3	DDU mount holder LEFT	1	
F4	DDU mount holder RIGHT	1	
F5	Bolt M8 X 20 DIN 912	4	
F6	Bolt M6 X 20 DIN 912	4	
F7	Bolt M5 X 16 DIN 7991	4	Countersunk.
F8	Cap-Washer M6	4	
F9	Washer M8 DIN 125-A	4	
F10	Washer M6 DIN 125-A	4	
F11	Washer M5 DIN 125-A	4	
F12	Lock-Nut M6	4	
F13	Lock-Nut M5	4	

Disclaimer: for some entries on this page, we supply more than required as spare materials. Don't worry if you have some leftovers, this is intentional.

BOX G - Wheel Deck (optional purchase)**HARDWARE KIT**

#	Part	QTY	Note
G1	Wheel deck	1	
G2	Bolt M8 X 20 DIN 912	4	
G3	Bolt M8 X 16 DIN 912	4	Extra.
G4	Bolt M6 X 16 DIN 912	4	Extra.
G5	Washer M8 DIN 125-A	12	Extra.
G6	Washer M6 DIN 125-A	4	Extra.
G7	Lock-Nut M8	4	Extra.
G8	Lock-Nut M6	4	Extra.

BOX H - Side Mount (optional purchase)**PROFILE KIT**

#	Part	QTY	Note
HP1	80X40 Length=500mm	1	
HP2	40X40 Length=350mm	2	

HARDWARE KIT

#	Part	QTY	Note
H3	Side mount bracket	2	
H4	Corner bracket 40x40	2	
H5	Corner bracket 40x40 cap	2	
H6	Profile 80x40 end-cap	2	
H7	Profile 40x40 end-cap	2	
H8	Bolt M8 X 20 DIN 912	8	
H9	Bolt M8 X 16 DIN 912	4	
H10	Washer M8 DIN 125-A	12	
H11	Slot-Nut M8	12	

BOX I - Side Table (optional purchase, left or right version)**PROFILE KIT**

#	Part	QTY	Note
IP1	80X40 Length=1100mm	1	
IP2	80X40 Length=200mm	1	

BOX I - Side Table (optional purchase, left or right version)**HARDWARE KIT**

#	Part	QTY	Note
I3	Side table	1	
I4	Side table bracket LEFT	1	
I5	Side table bracket RIGHT	1	
I6	Corner bracket 40x40	3	
I7	Corner bracket 40x40 cap	3	
I8	Profile 80x40 end-cap	2	
I9	Bolt M8 X 16 DIN 912	14	
I10	Bolt M6 X 16 DIN 7991	6	Countersunk.
I11	Washer M8 DIN 125-A	14	
I12	Slot-Nut M8	14	
I13	Slot-Nut M6	3	
I14	Lock-Nut M6	3	

BOX J - Shelf (optional purchase)**HARDWARE KIT**

#	Part	QTY	Note
J1	Shelf	1	Place your PC.
J2	Bolt M6 X 16 DIN 7991	4	
J3	Slot-Nut M6	4	

BOX K - Steering Wheel Extension (optional installation on wheel shaft)**HARDWARE KIT**

#	Part	QTY	Note
K1	Steering wheel extension 120mm	1	Use with MIGE, CS, VRS etc.
K2	Bolt M5 X 20 DIN 912	12	
K3	Lock-Nut M5	12	

Disclaimer: for some entries on this page, we supply more than required as spare materials. Don't worry if you have some leftovers, this is intentional.

If you still have some questions regarding assembly of this product or about the manual itself, please refer to our support department. They can be reached at

support@sim-lab.eu

Alternatively, we now have a Discord server where there are quite some experienced Sim-Lab customers hanging out. They might just help you along if you ask them nicely ;)

www.sim-lab.eu/discord

If you feel like printing this manual, please consider the environment before doing so. For the best results, make sure you print at 100% scale without borders.

[Product page on the Sim-Lab website:](#)

