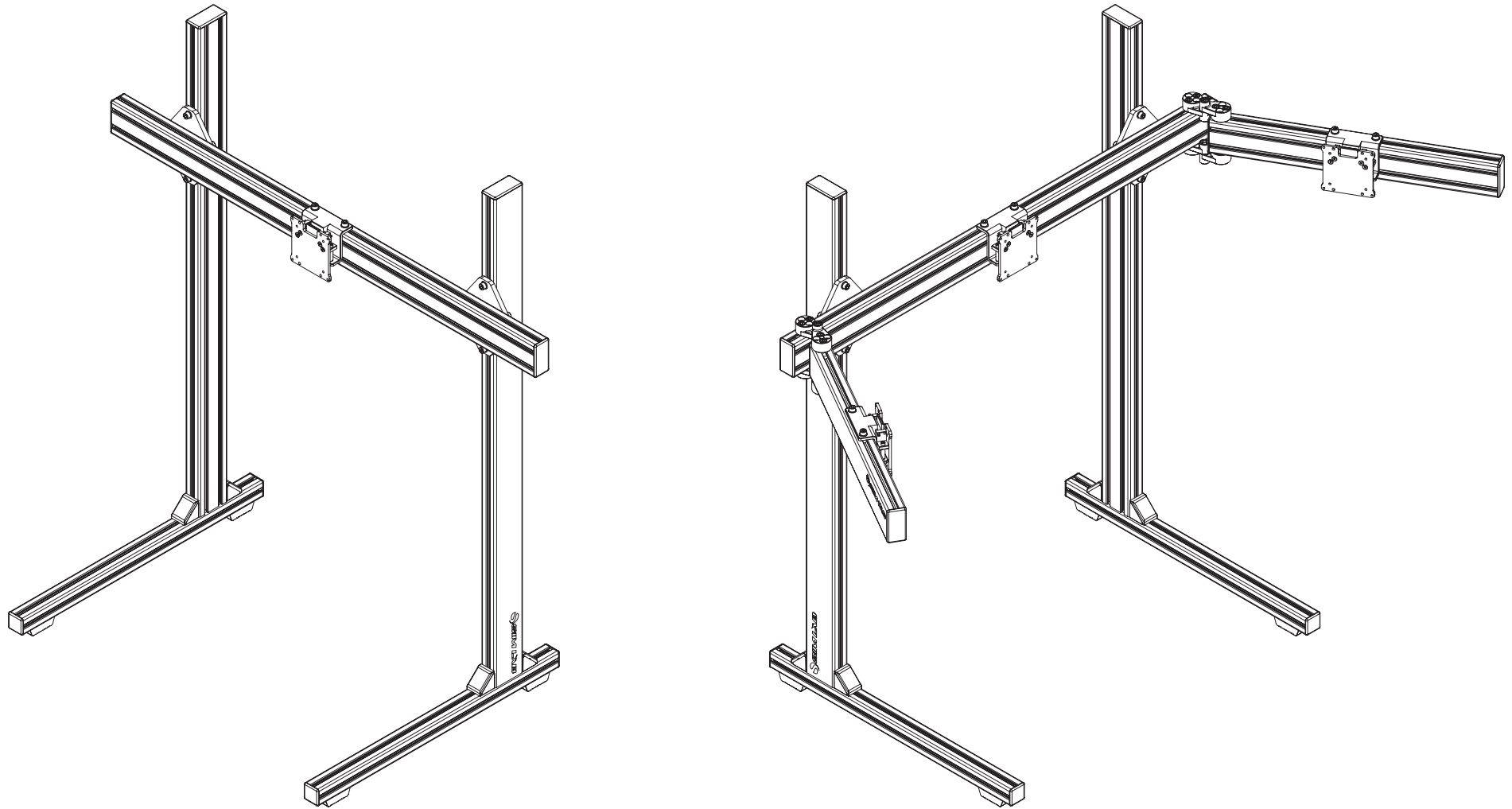


SIM LAB

INSTRUCTION MANUAL



FREESTANDING VARIO™ MONITOR MOUNT SINGLE/TRIPLE

VERSION 2.0
Last updated: 19-09-2023

BEFORE YOU START:

Thank you for purchasing this Sim-Lab product! On the following pages, you will find detailed instructions on assembly. This requires only a set of simple tools and some of your time. Please check the bill of materials before starting (page 14) and make sure all the parts are delivered.

We have combined the assembly instructions for the single and triple versions of this product into one manual. If you have purchased the triple version and build from scratch, you can skip some pages which involve assembly and installation of the Vario VESA mounts and do those last.

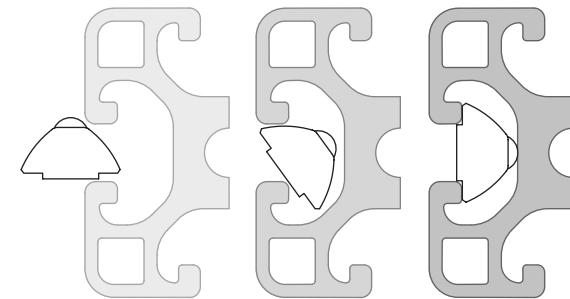
This product furthermore combines products we normally offer separately. We encourage you to read the product manuals for included products if this one doesn't answer all of your questions. Please refer to the following if needed:

www.sim-lab.eu/xero-play-pivots-manual

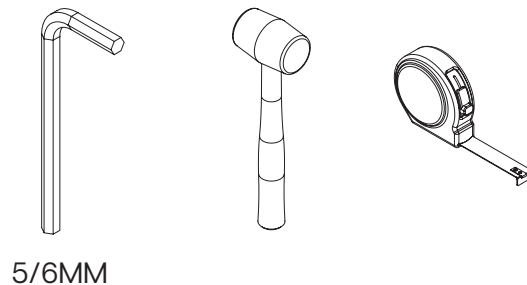
www.sim-lab.eu/vario-vesa-manual

Inserting Slot-Nuts:

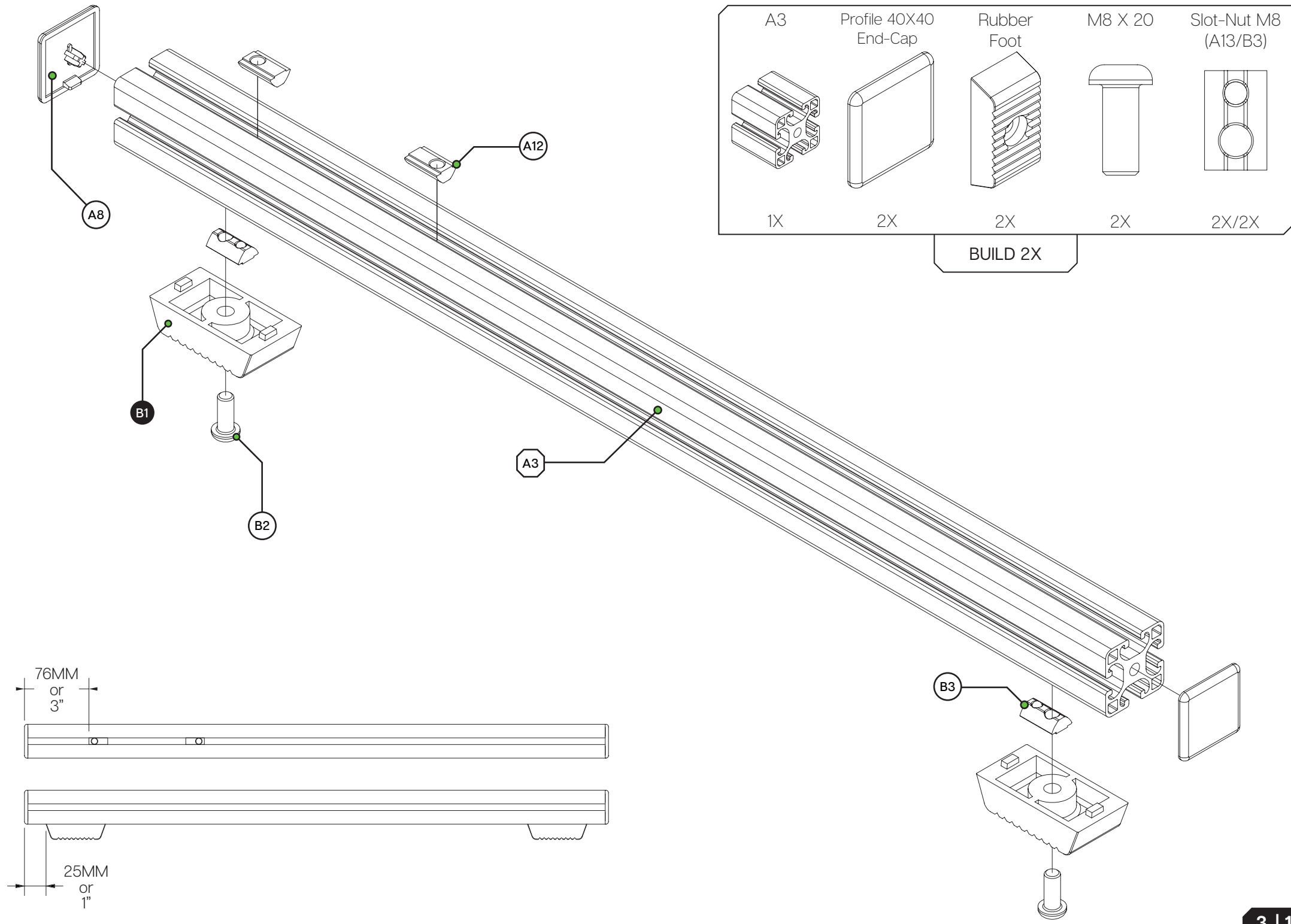
You got excited, finished the build, put the caps on, but forgot to install one element. Do not worry. It happens to everyone. In this diagram, you can see how to insert a Slot-Nut directly into the slot from the side. You can also use one of your smaller Hex wrenches to help wiggle the Slot-Nut in place.

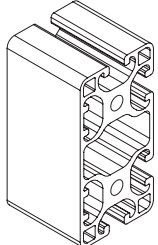
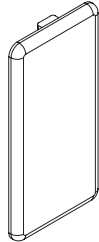
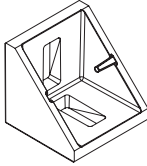
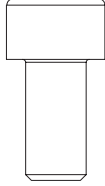
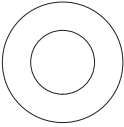
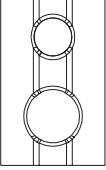


Tools needed:

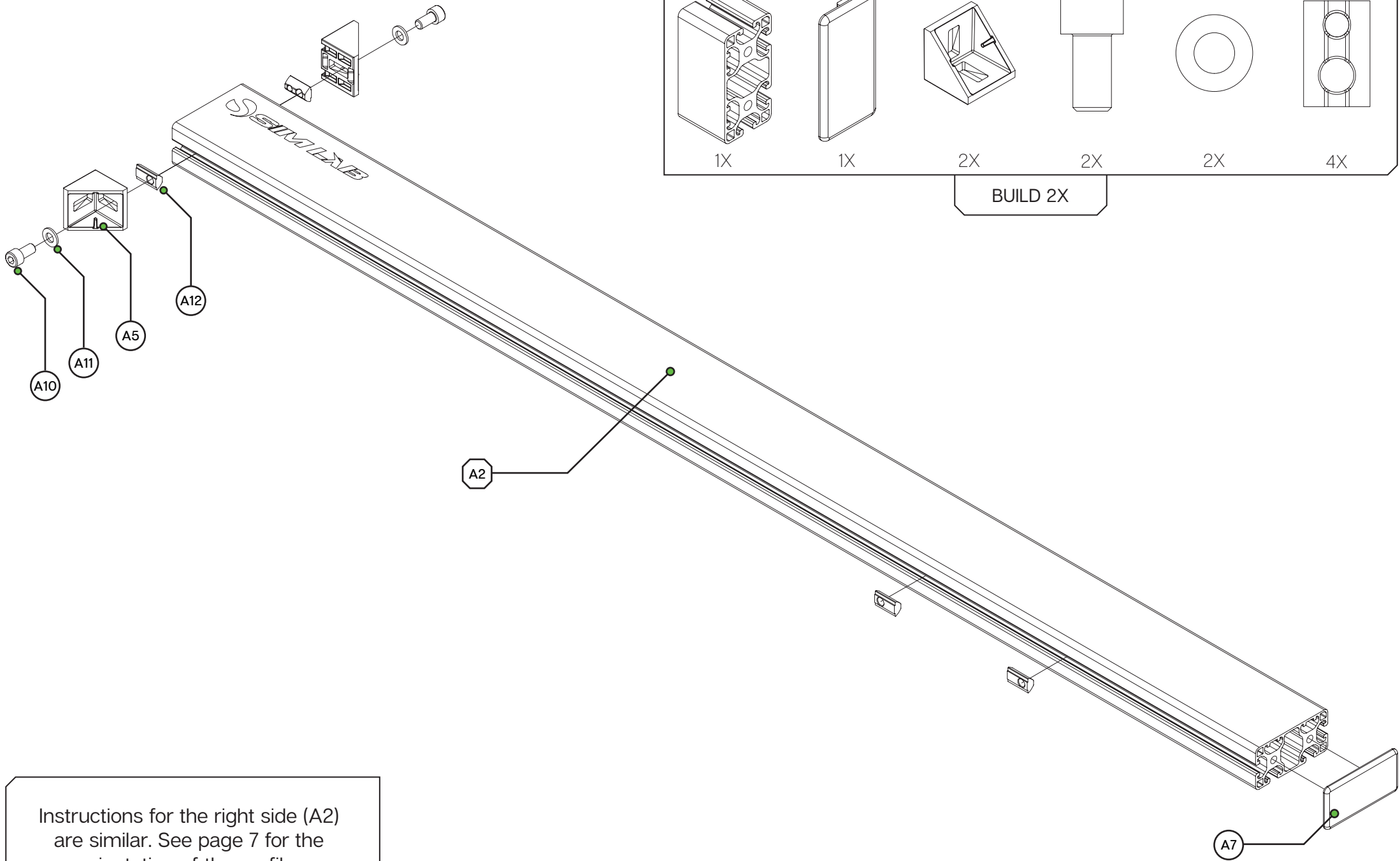


5/6MM

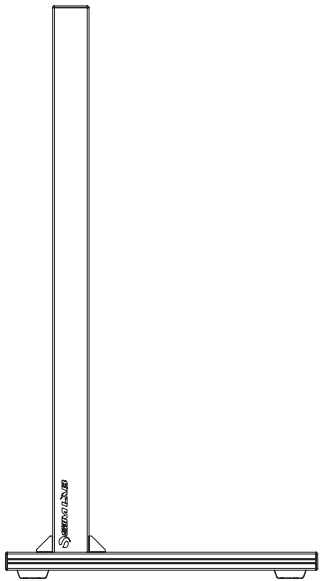
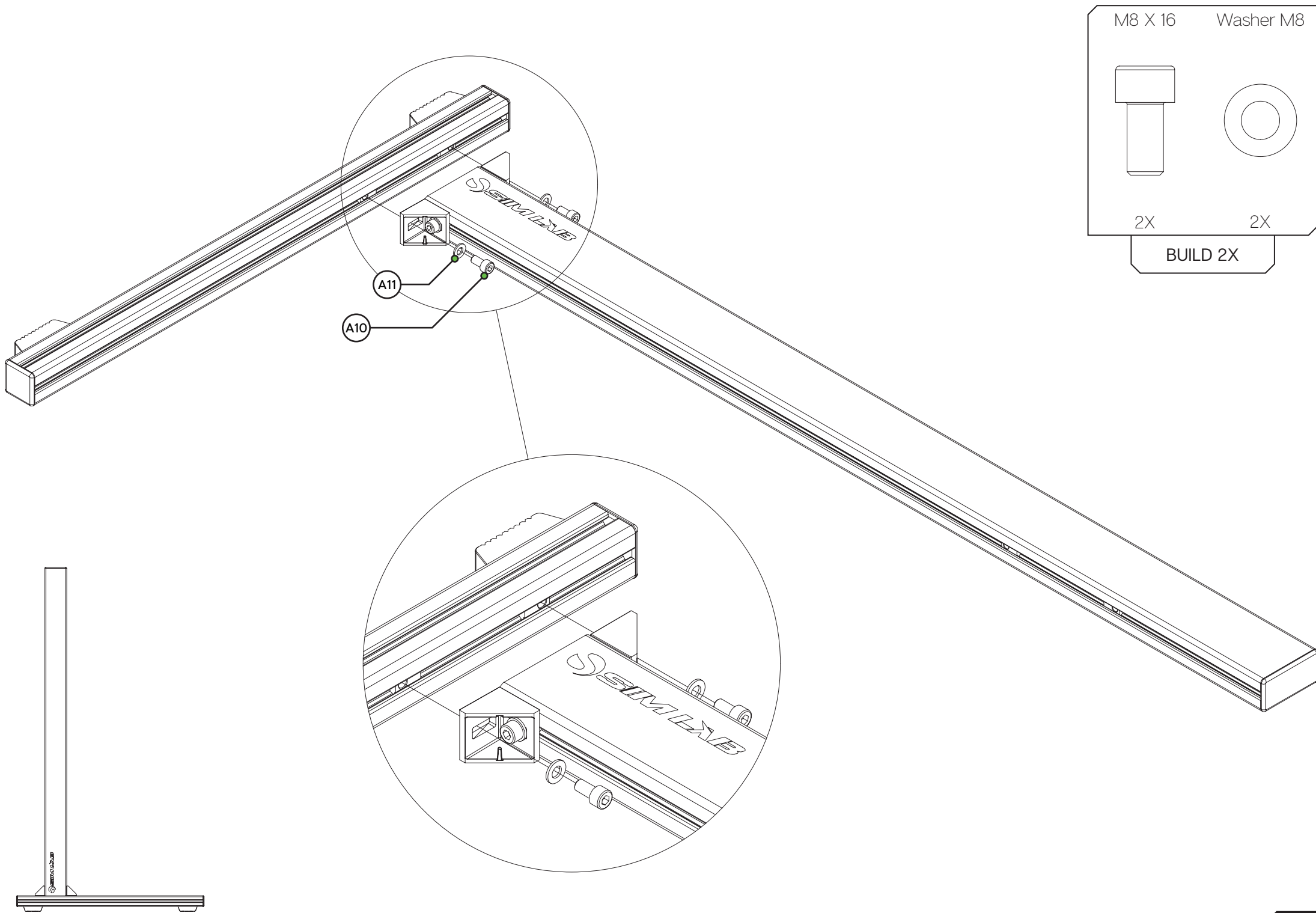


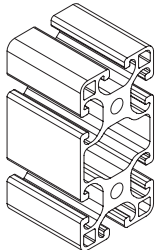
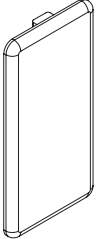
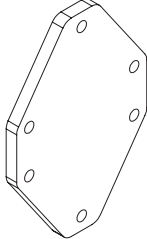
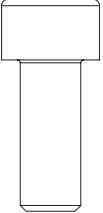
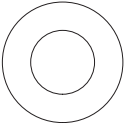
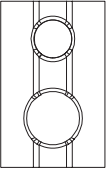
A2	Profile 80X40 End-Cap	Corner Bracket	M8 X 16	Washer M8	Slot-Nut M8
					
1X	1X	2X	2X	2X	4X

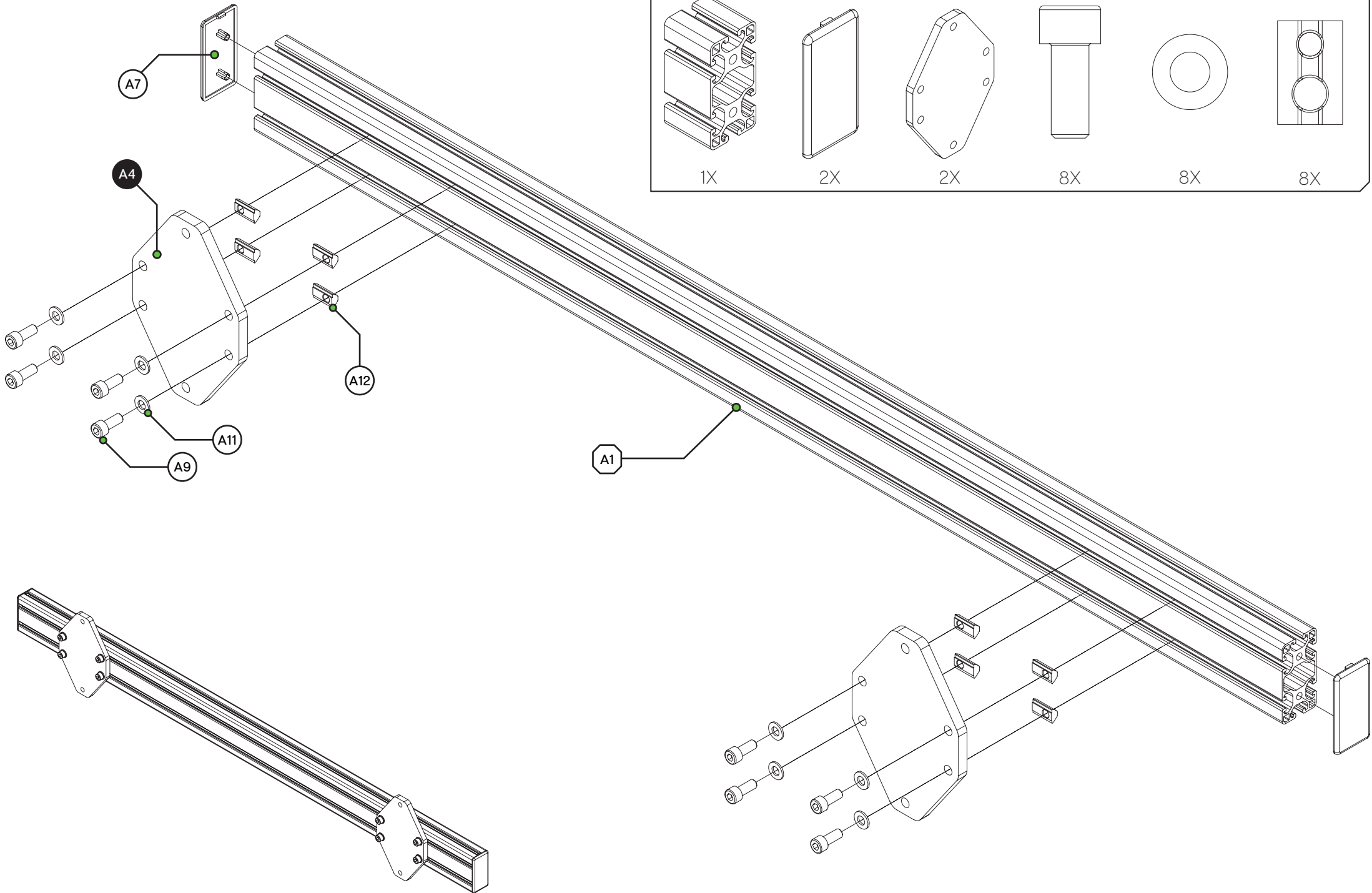
BUILD 2X



Instructions for the right side (A2) are similar. See page 7 for the orientation of the profile.

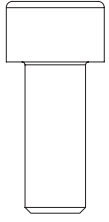


A1	Profile 80X40 End-Cap	Sandwich Plate 80	M8 X 20	Washer M8	Slot-Nut M8
					
1X	2X	2X	8X	8X	8X

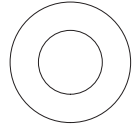


M8 X 20

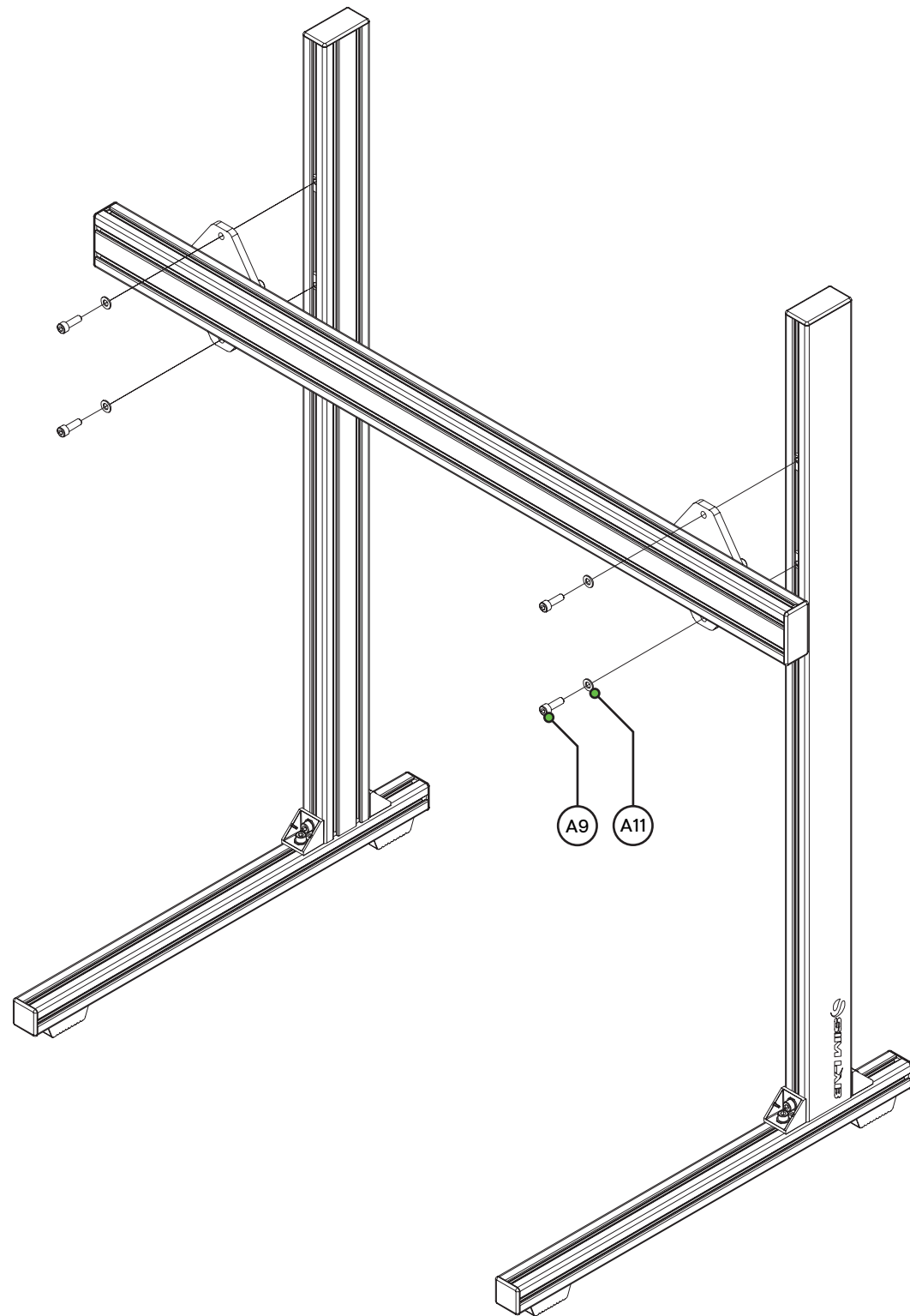
Washer M8

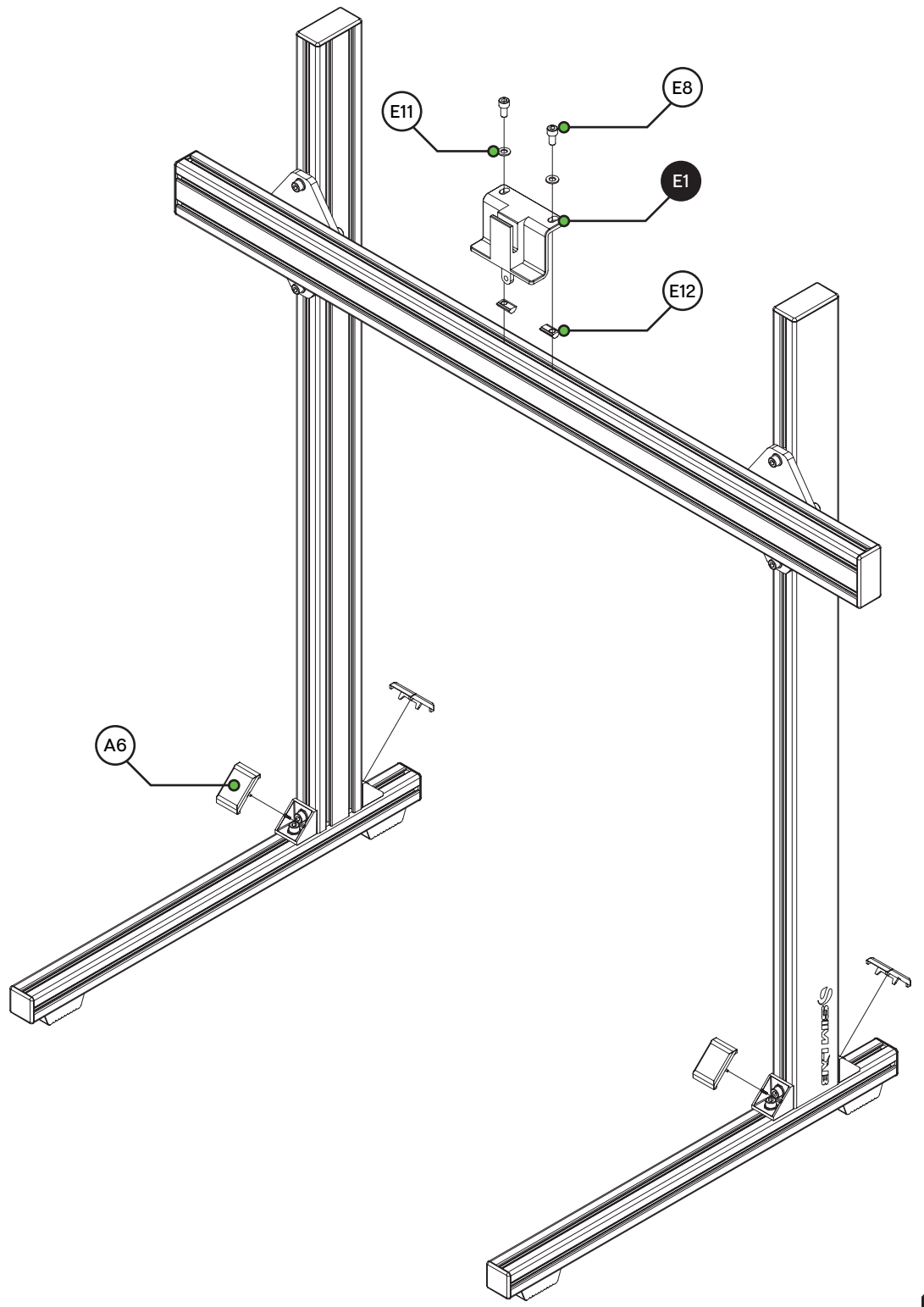
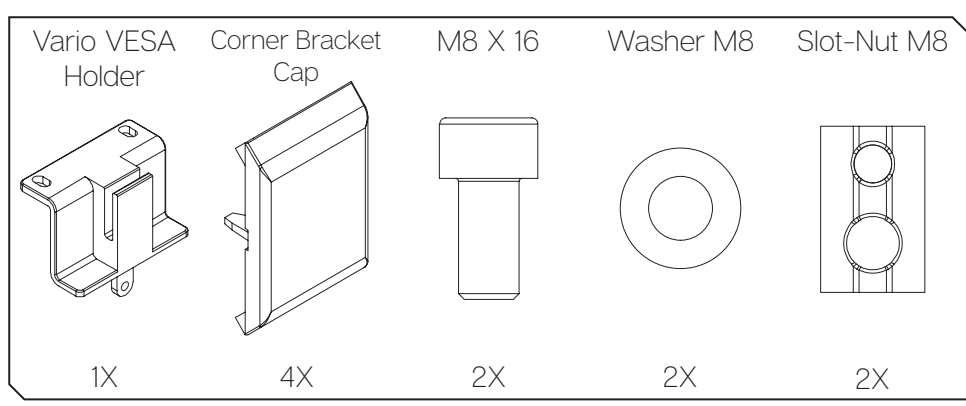


4X

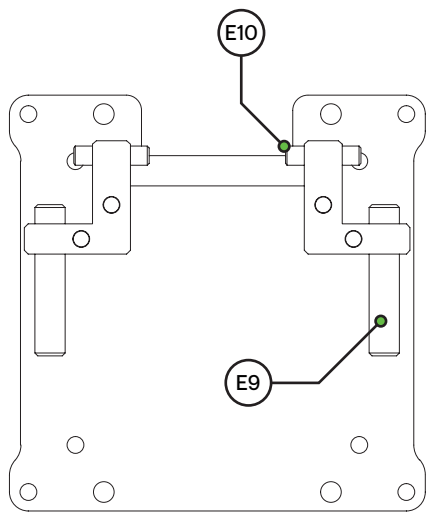
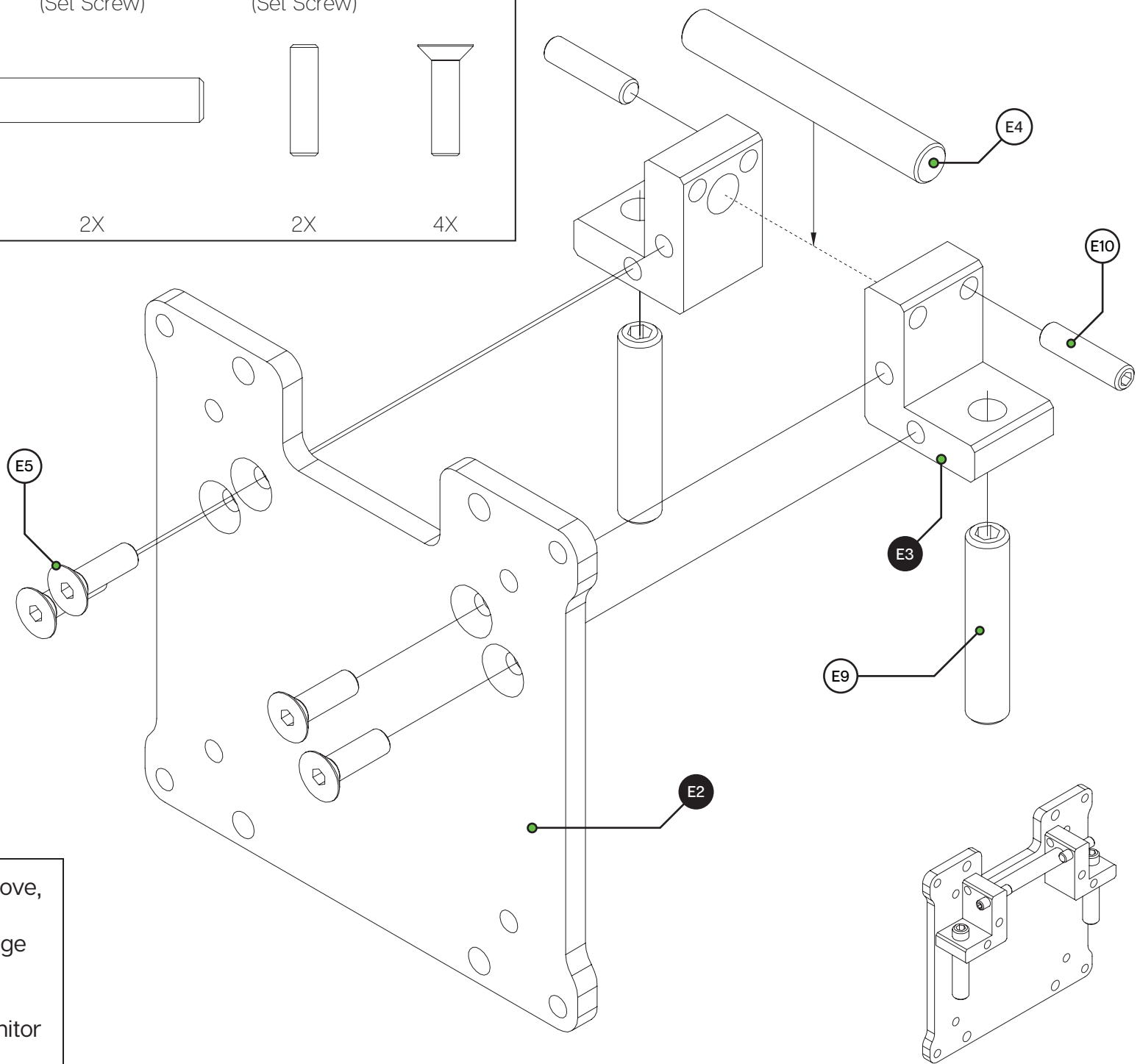
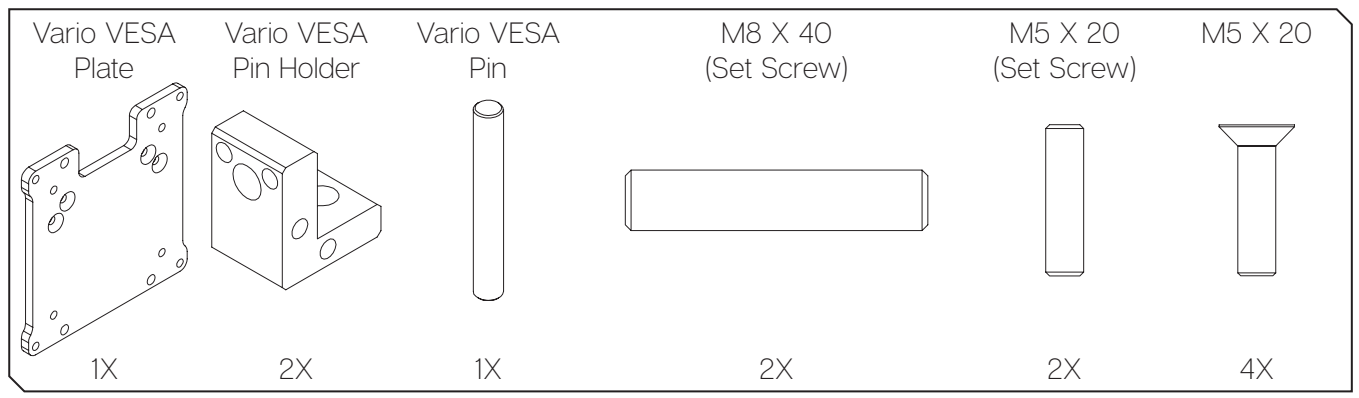


4X



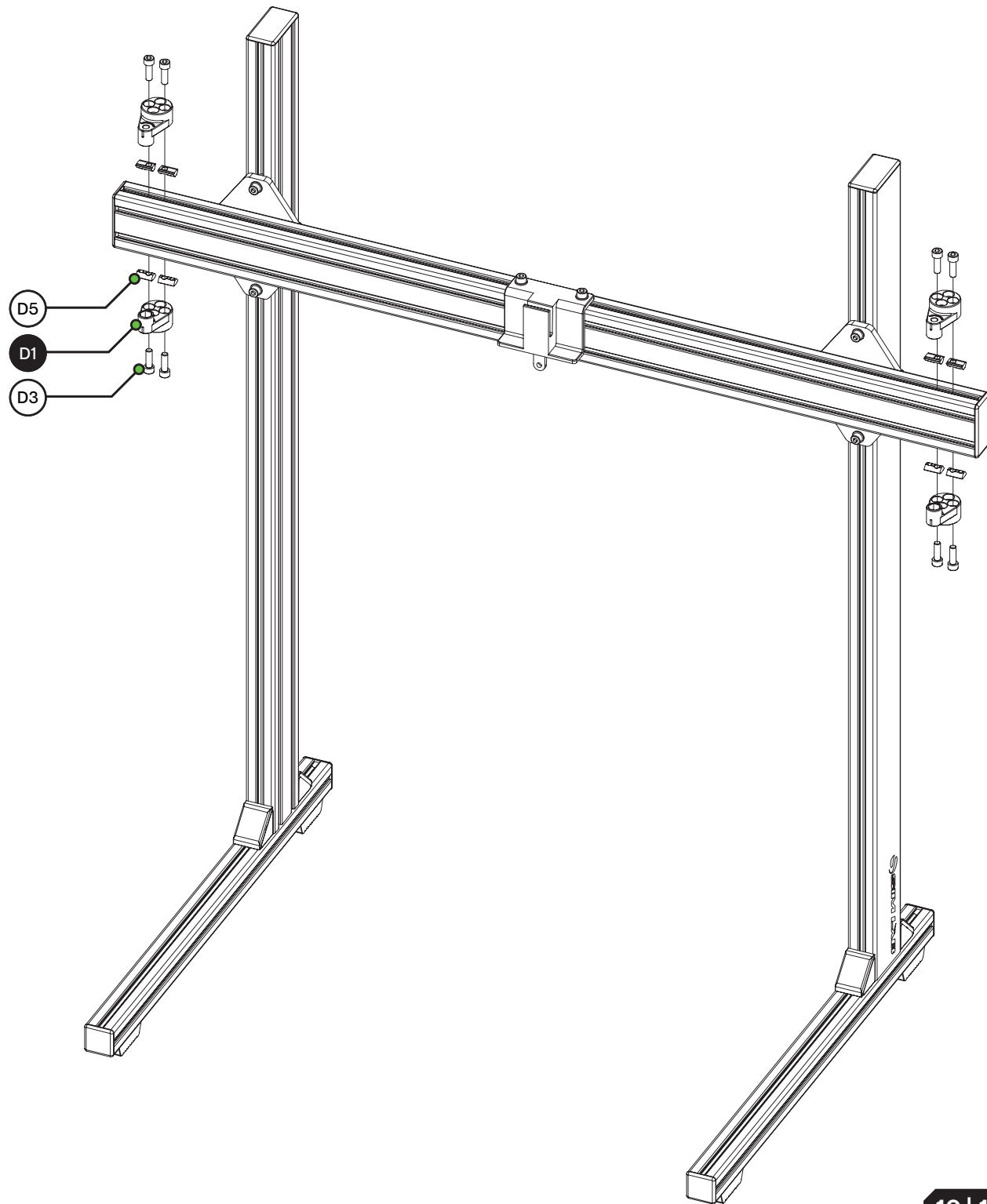
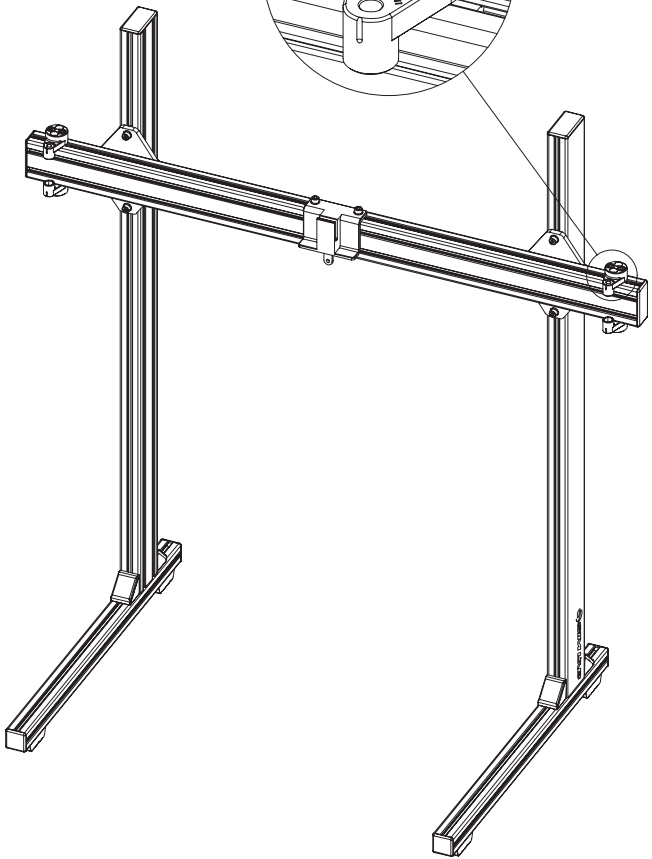
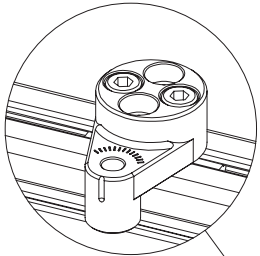
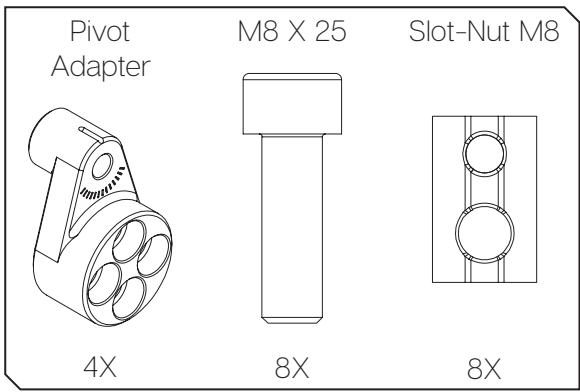


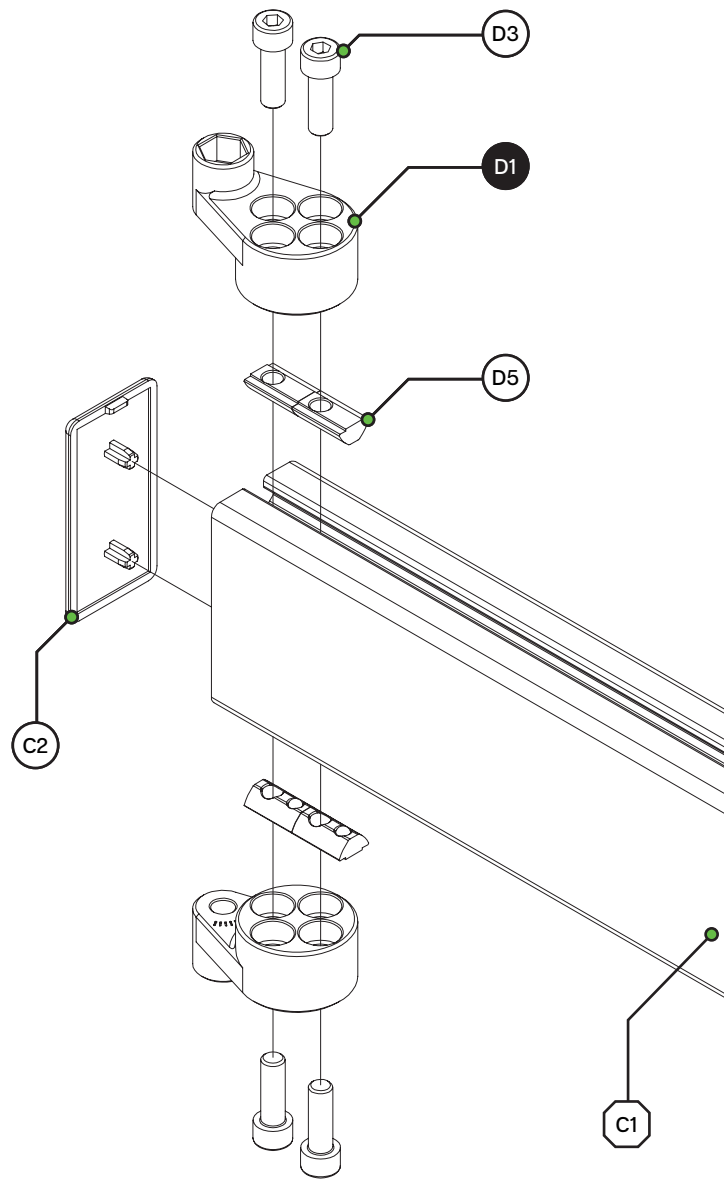
If you purchased the 'Triple Upgrade', please continue on page 10.



When parts E9 and E10 are installed like above, monitors are easy to install in a neutral position. Parts E9 can be adjusted to change the tilt and/or height.

Parts E10 can be adjusted to adjust the monitor sideways if needed, and fix it in place.

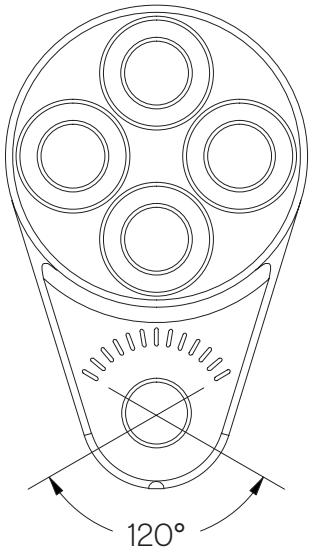
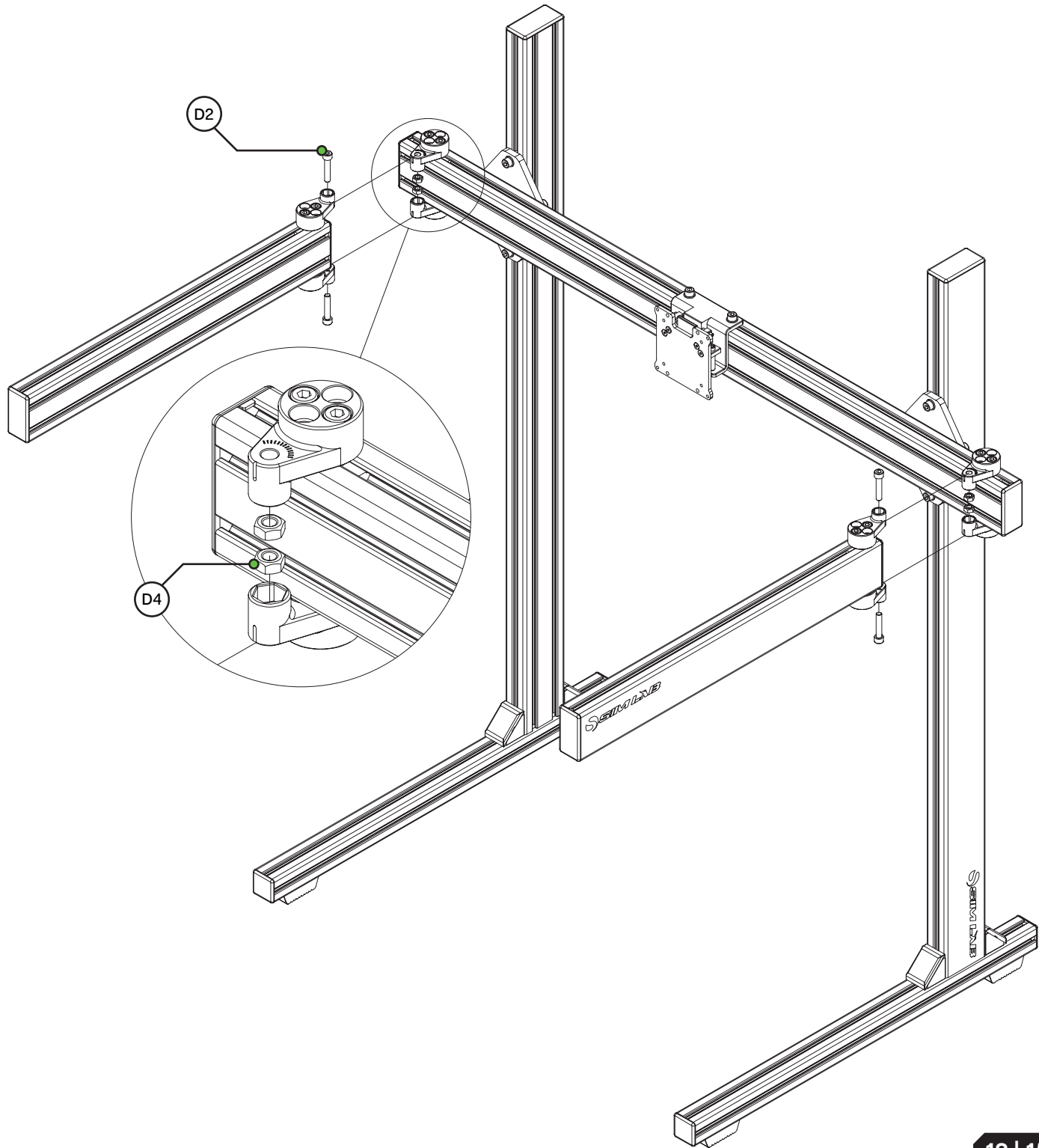
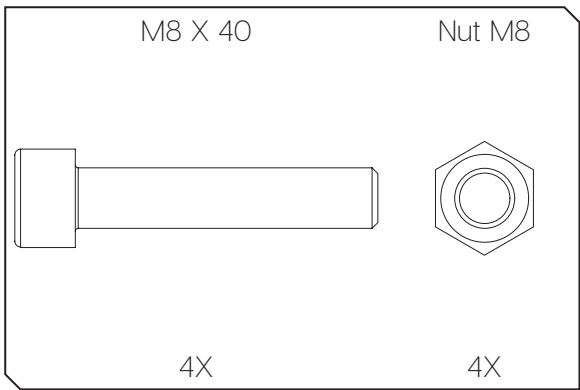




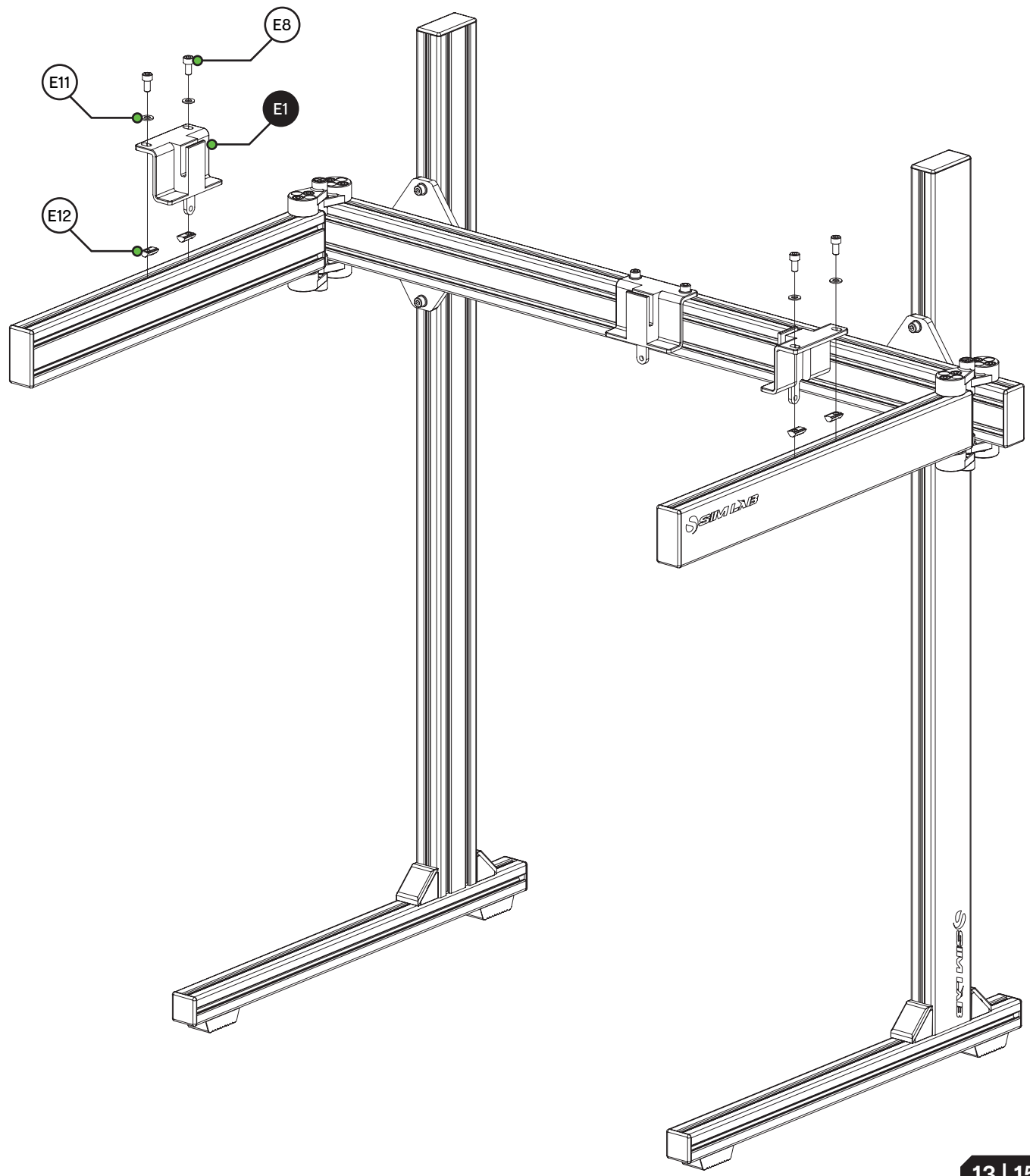
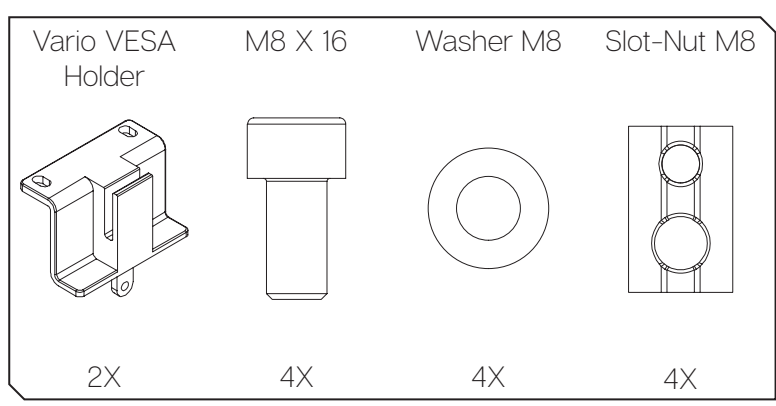
C1	Profile 80X40 End-Cap	Pivot Adapter	M8 X 25	Slot-Nut M8
1X	2X	2X	4X	4X
BUILD 2X				

Instructions for the right side (C1) are similar. See the next page for the orientation of the profile.

* Mind the orientation of the Slot-Nuts.



Adjust arm angles to your preference.
 We included markings in the pivots.
 Markings are placed in 10° increments.



**BOX A - VARIO SINGLE MONITOR MOUNT
PROFILE KIT**

#	Part	QTY	Note
A1	80X40 Length=1195mm	1	
A2	80X40 3N Length=1195mm	2	
A3	40X40 Length=580mm	2	

HARDWARE KIT

A4	Triple sandwich plate 80	2	
A5	Corner bracket 40x40	4	
A6	Corner bracket 40x40 cap	4	
A7	Profile 80x40 end-cap	4	
A8	Profile 40x40 end-cap	4	
A9	Bolt M8 X 20 DIN 912	12	
A10	Bolt M8 X 16 DIN 912	8	
A11	Washer M8 DIN 125-A	20	
A12	Slot-Nut M8	20	

**BOX B - RUBBER FEET
HARDWARE KIT**

#	Part	QTY	Note
B1	Rubber foot	4	
B2	Bolt M8 X 20 DIN 7380	4	Buttonhead.
B3	Slot-Nut M8	4	

**BOX C - TRIPLE MONITOR MOUNT (upgrade, depending on purchase)
PROFILE KIT**

#	Part	QTY	Note
C1	80X40 3N Length=580mm	2	

HARDWARE KIT

C2	Profile 80x40 end-cap	4	
----	-----------------------	---	--

**BOX D - Xero-Play triple pivot set (upgrade, depending on purchase)
HARDWARE KIT**

#	Part	QTY	Note
D1	Xero-Play triple pivot adapter	8	
D2	Bolt M8 X 40 DIN 912	4	
D3	Bolt M8 X 25 DIN 912	16	
D4	Nut M8	4	
D5	Slot-Nut M8	16	

**BOX E - Vario VESA adapter set (amounts depending on purchase)
HARDWARE KIT**

#	Part	QTY	Note
E1	Vario VESA holder	1	
E2	Vario VESA plate	1	
E3	Vario VESA pin holder	2	
E4	Vario VESA pin	1	
E5	Bolt M5 X 20 DIN 7991	4	
E6	Screw M4 X 16 DIN 7985	4	Philips head.
E7	Screw M4 X 10 DIN 7985	4	Philips head.
E8	Bolt M8 X 16 DIN 912	2	
E9	Set screw M8 X 40 DIN 916	3	
E10	Set screw M5 X 20 DIN 916	2	
E11	Washer M8 DIN 125-A	2	
E12	Slot-Nut M8	2	
E13	Standoff M4 x 10	4	

Disclaimer: for some entries on this page, we supply more than required as spare materials. Don't worry if you have some leftovers, this is intentional.

If you still have some questions regarding assembly of this product or about the manual itself, please refer to our support department. They can be reached at

support@sim-lab.eu

Alternatively, we now have a Discord server where there are quite some experienced Sim-Lab customers hanging out. They might just help you along if you ask them nicely ;)

www.sim-lab.eu/discord

If you feel like printing this manual, please consider the environment before doing so. For the best results, make sure you print at 100% scale without borders.

[Product page on the Sim-Lab website:](#)

