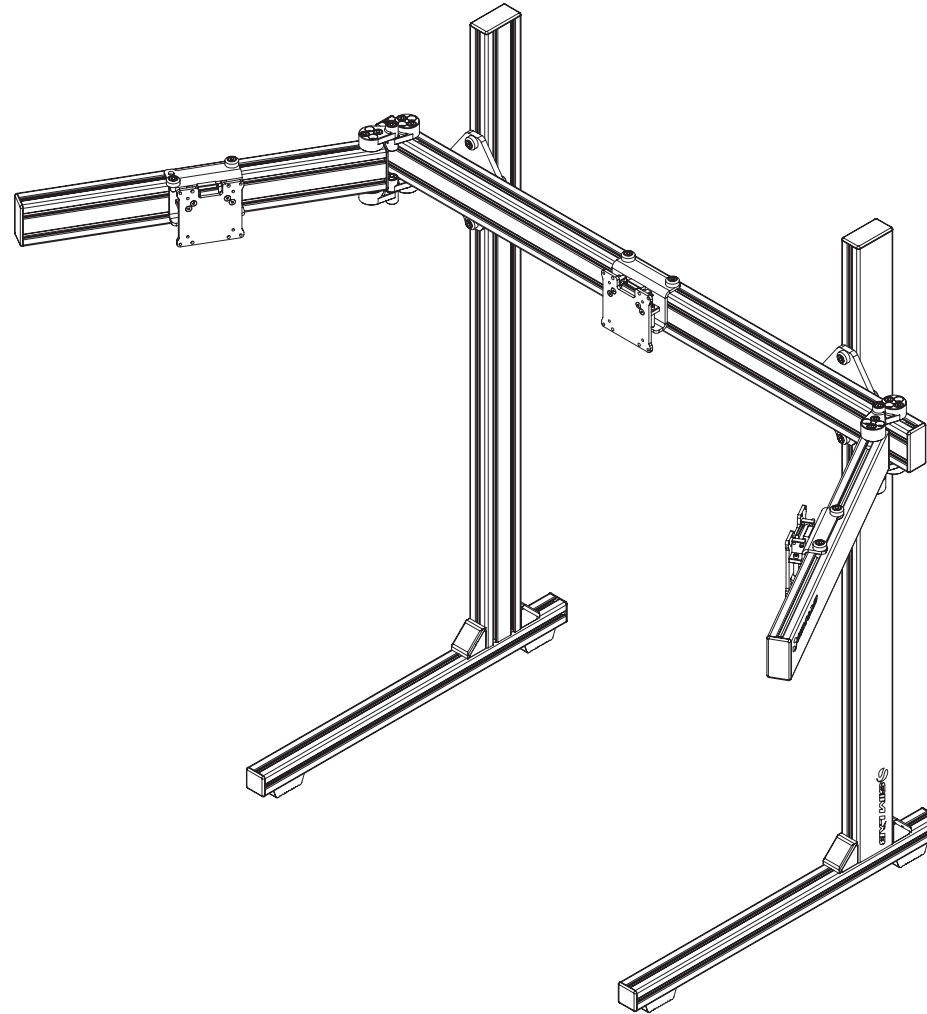


SIM LAB

INSTRUCTION MANUAL



VARIO™ TRIPLE MONITOR MOUNT

75/100 + 100/200

VERSION 1.2
Last updated: 19-07-2023

BEFORE YOU START:

Thank you for purchasing this Sim-Lab product! On the following pages, you will find detailed instructions on assembly. This requires only a set of simple tools and some of your time. Please check the bill of materials before starting (page 13) and make sure all the parts are delivered.

This product combines some products we normally offer separately. In some cases there are slight changes in the assembly instructions in this manual versus what the products' own manual states.

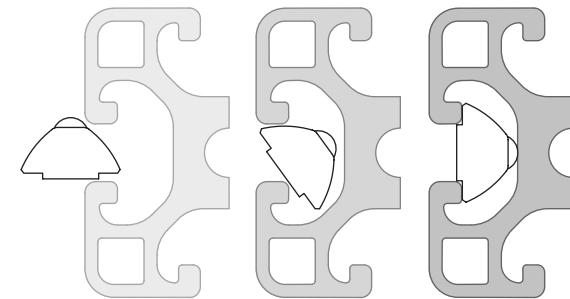
We encourage you to read the product manuals for included products if this one doesn't answer all of your questions. Please refer to the following if needed:

www.sim-lab.eu/xero-play-pivots-manual

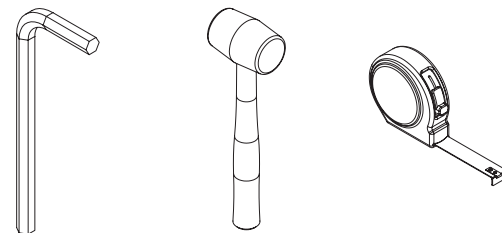
www.sim-lab.eu/vario-vesa-manual

Inserting Slot-Nuts:

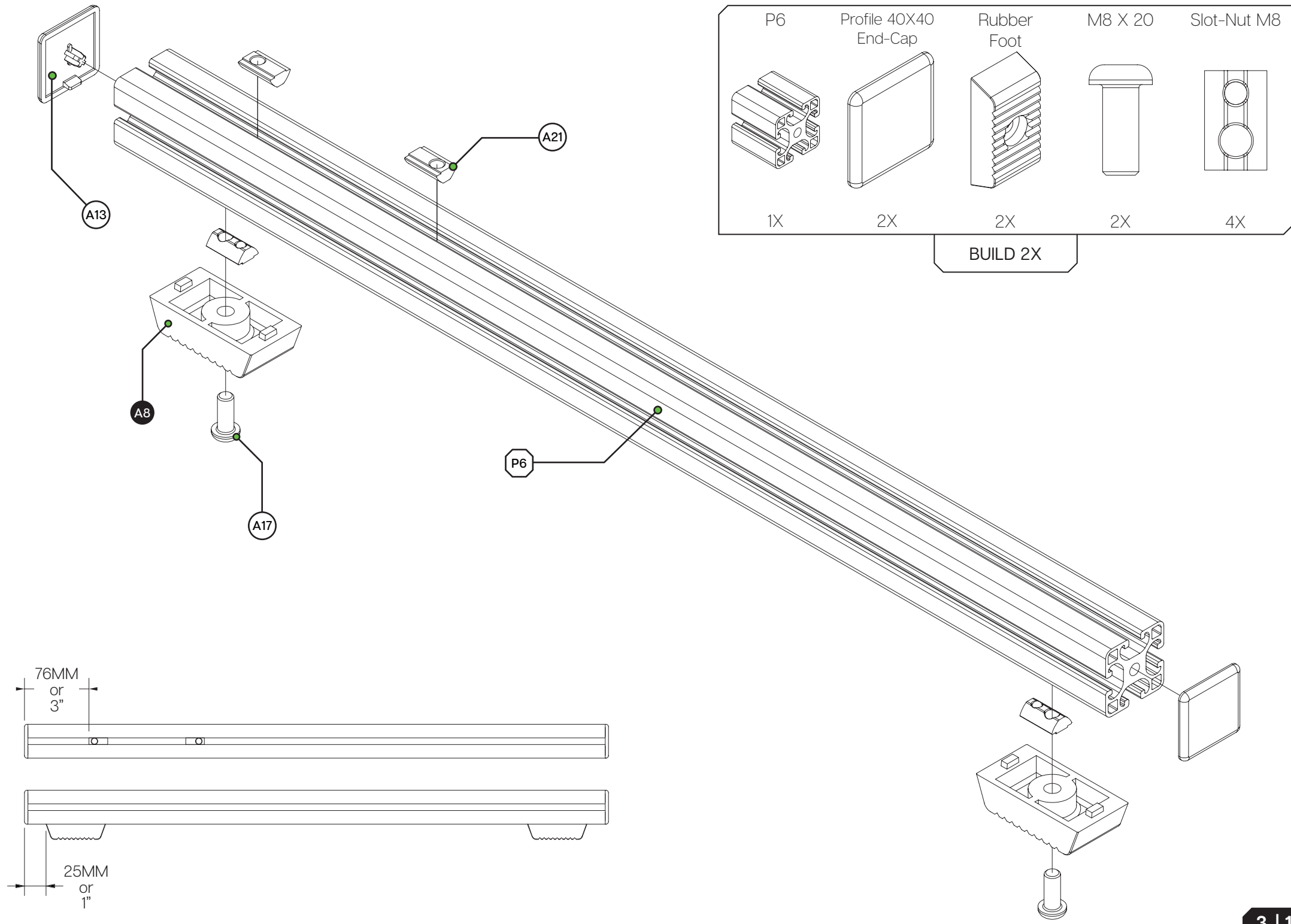
You got excited, finished the build, put the caps on, but forgot to install one element. Do not worry. It happens to everyone. In this diagram, you can see how to insert a Slot-Nut directly into the slot from the side. You can also use one of your smaller Hex wrenches to help wiggle the Slot-Nut in place.

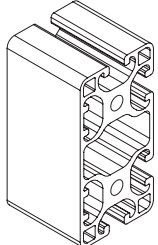
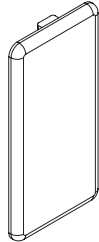
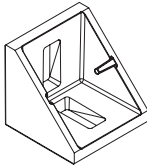
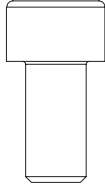
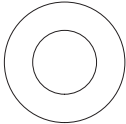
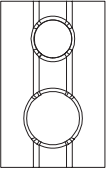


Tools needed:

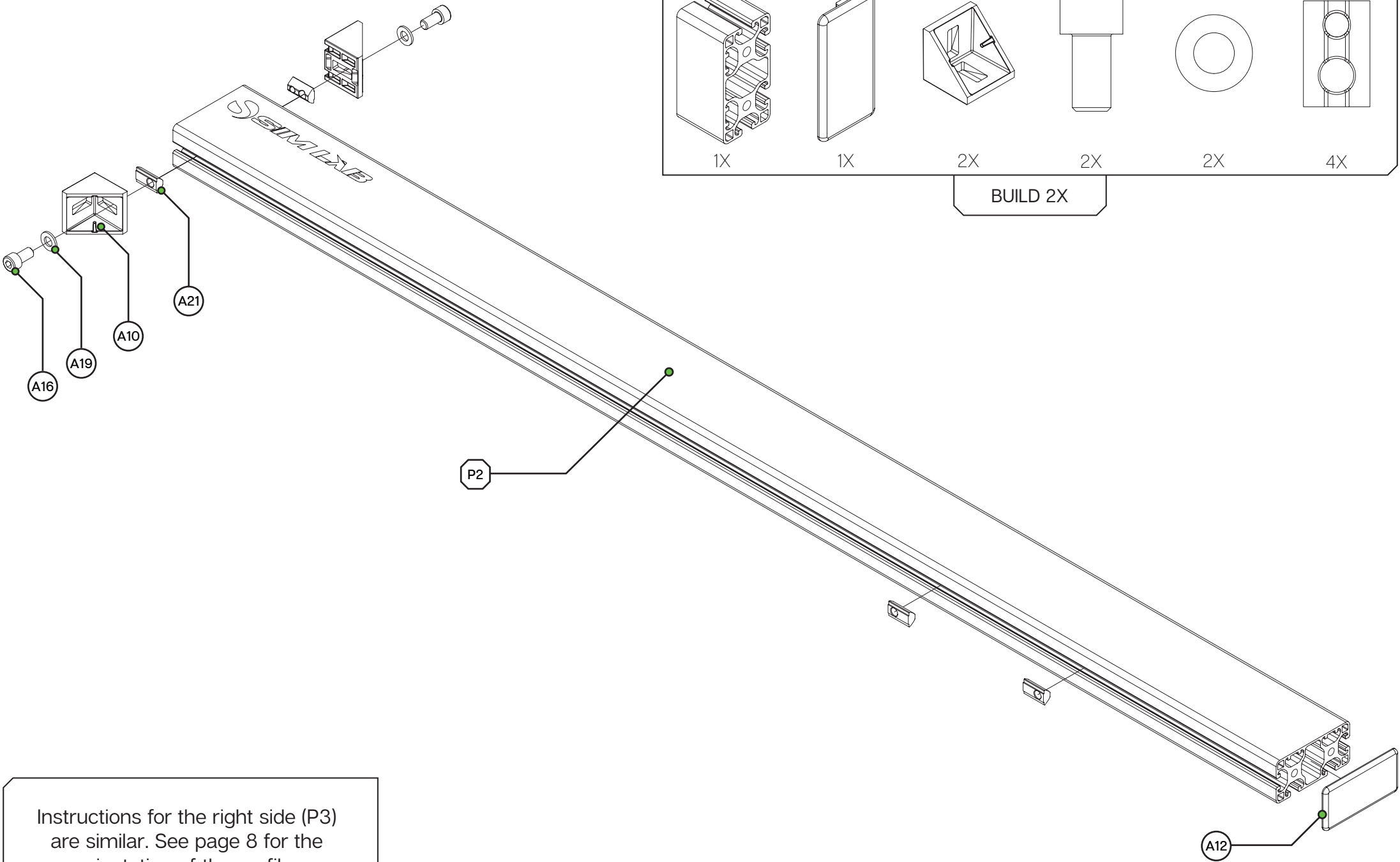


5/6MM

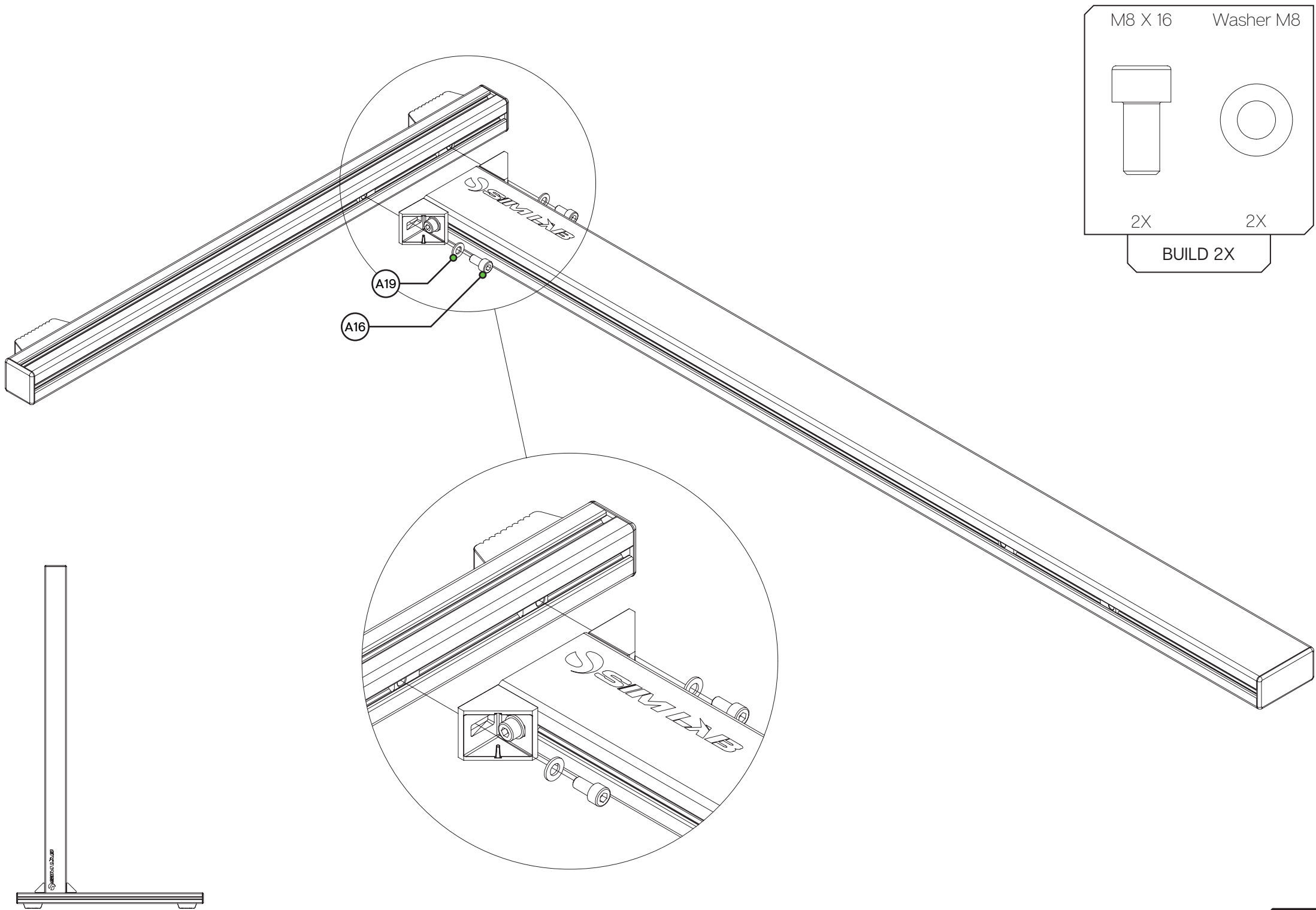


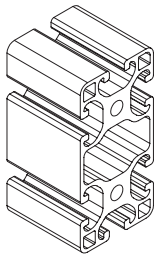

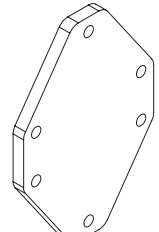
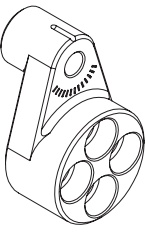
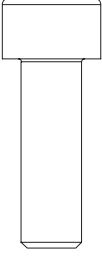
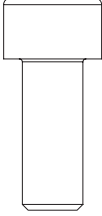
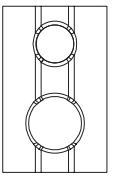
P2 (LEFT)	Profile 80X40 End-Cap	Corner Bracket	M8 X 16	Washer M8	Slot-Nut M8
					
1X	1X	2X	2X	2X	4X

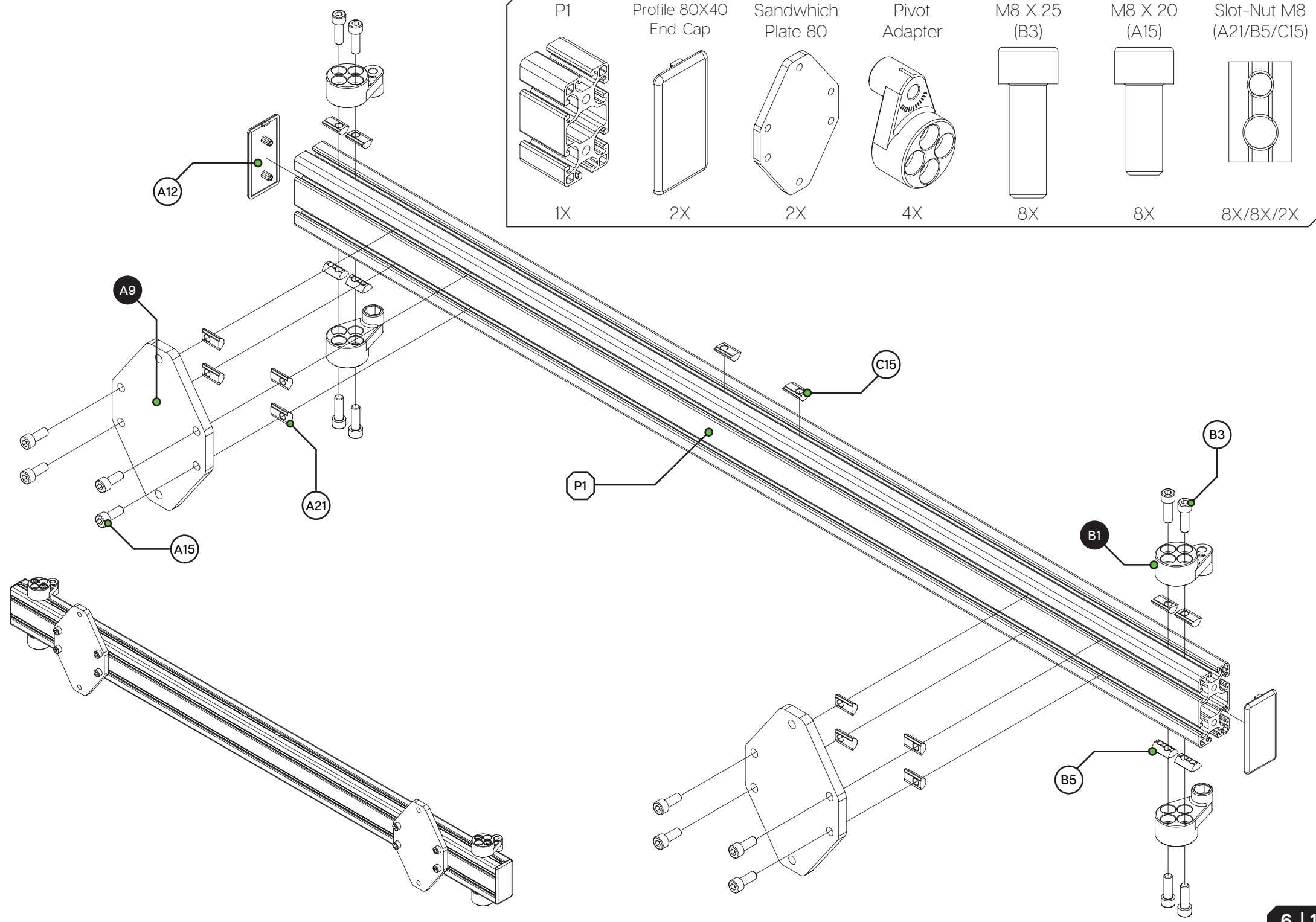
BUILD 2X

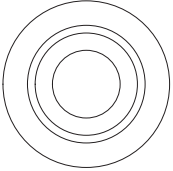
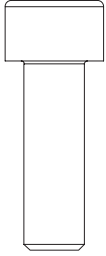
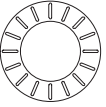


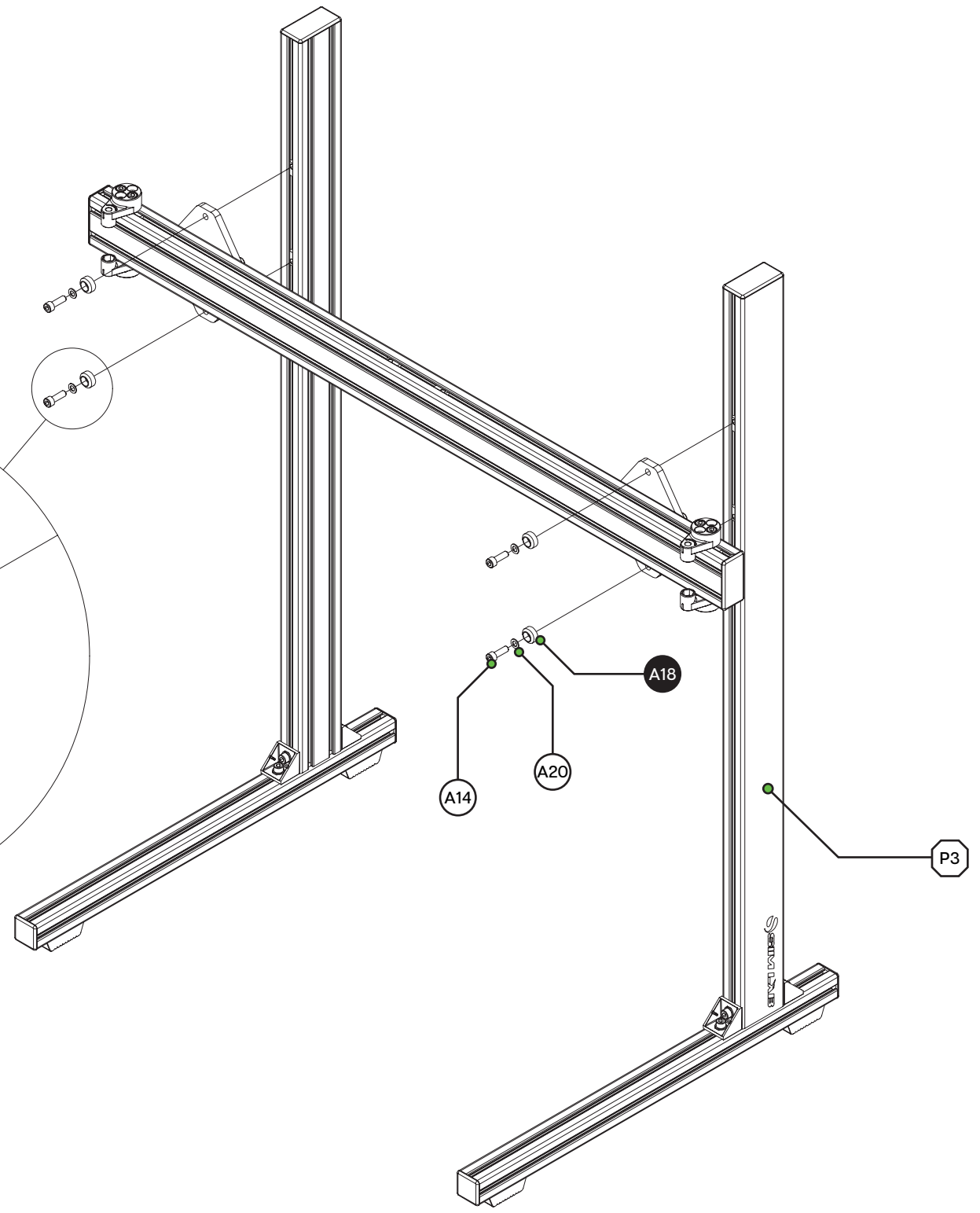
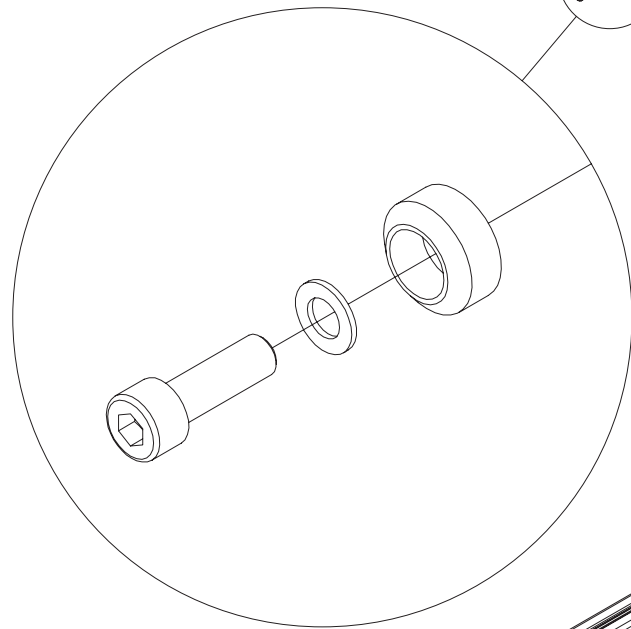
Instructions for the right side (P3) are similar. See page 8 for the orientation of the profile.

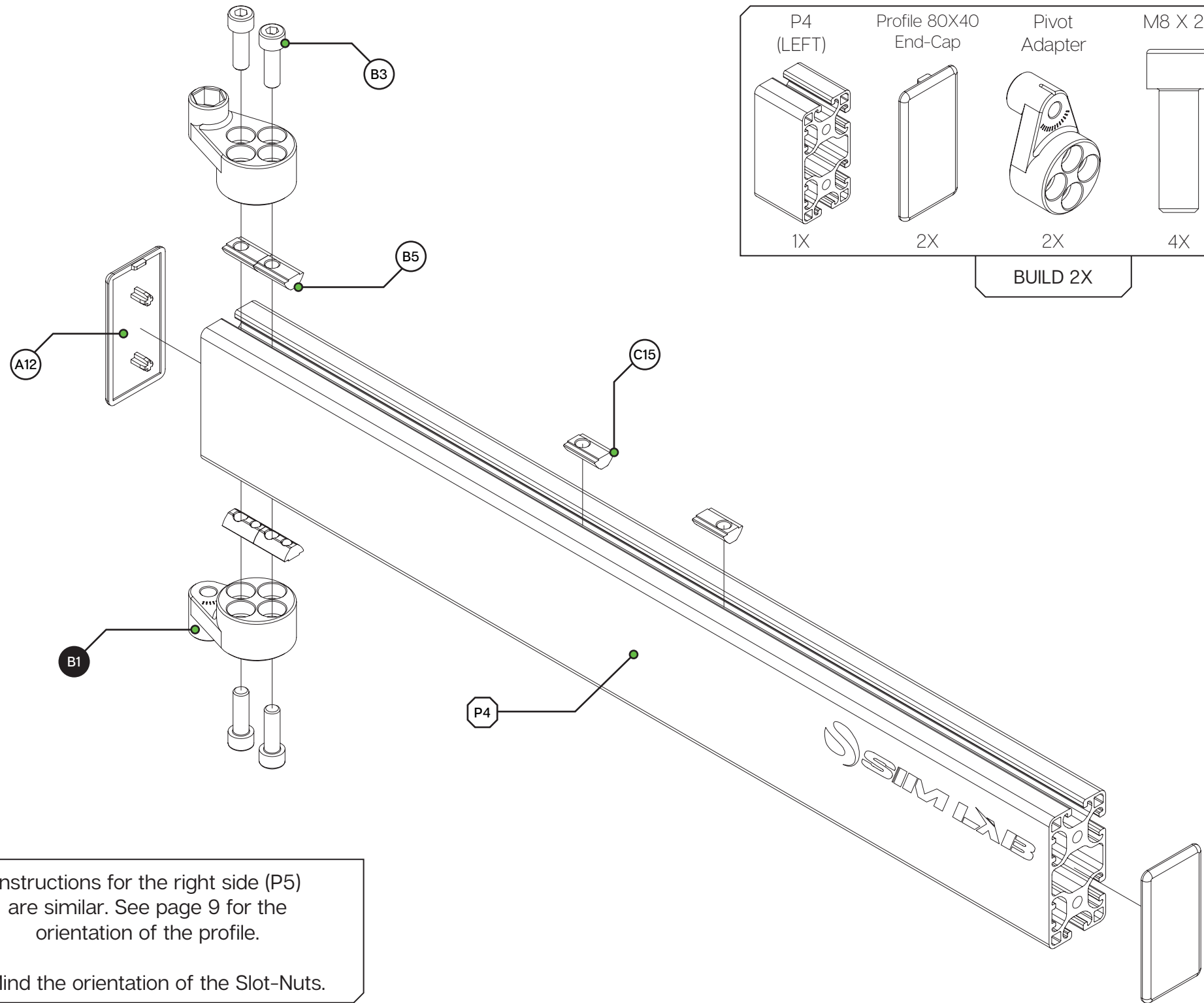


P1	Profile 80X40 End-Cap	Sandwich Plate 80	Pivot Adapter	M8 X 25 (B3)	M8 X 20 (A15)	Slot-Nut M8 (A21/B5/C15)
						
1X	2X	2X	4X	8X	8X	8X/8X/2X



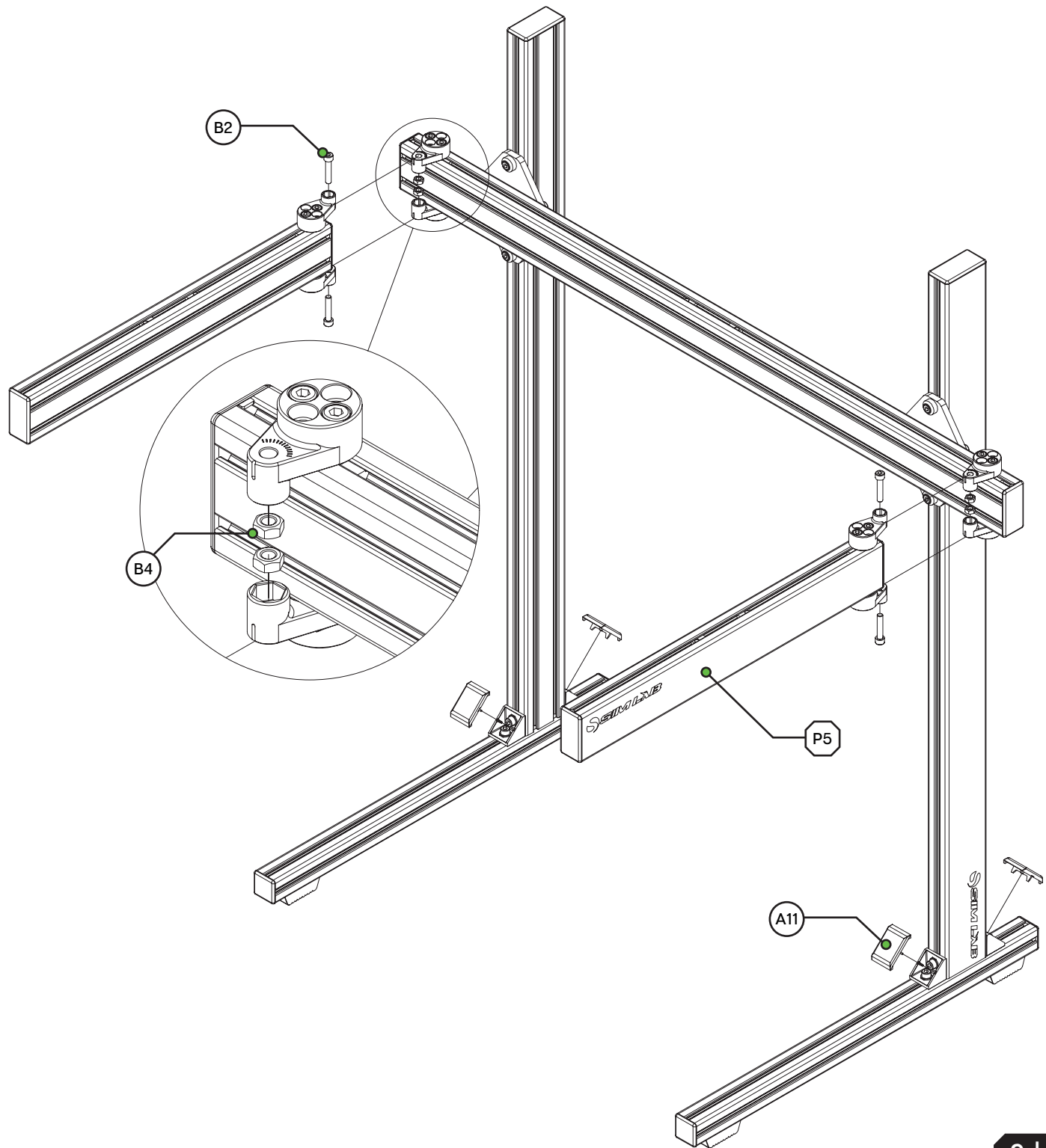
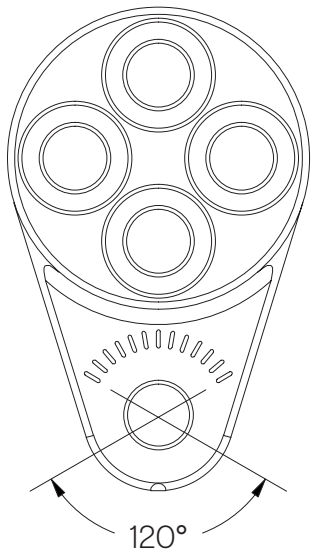
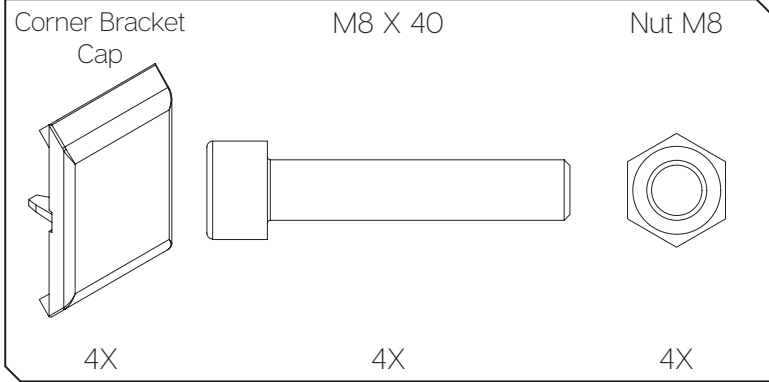
Cap-Washer M8	M8 X 25	Washer M8 (DIN 988)
		
4X	4X	4X





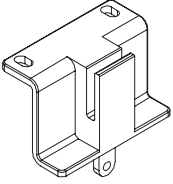
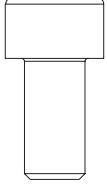
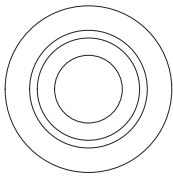
Instructions for the right side (P5) are similar. See page 9 for the orientation of the profile.

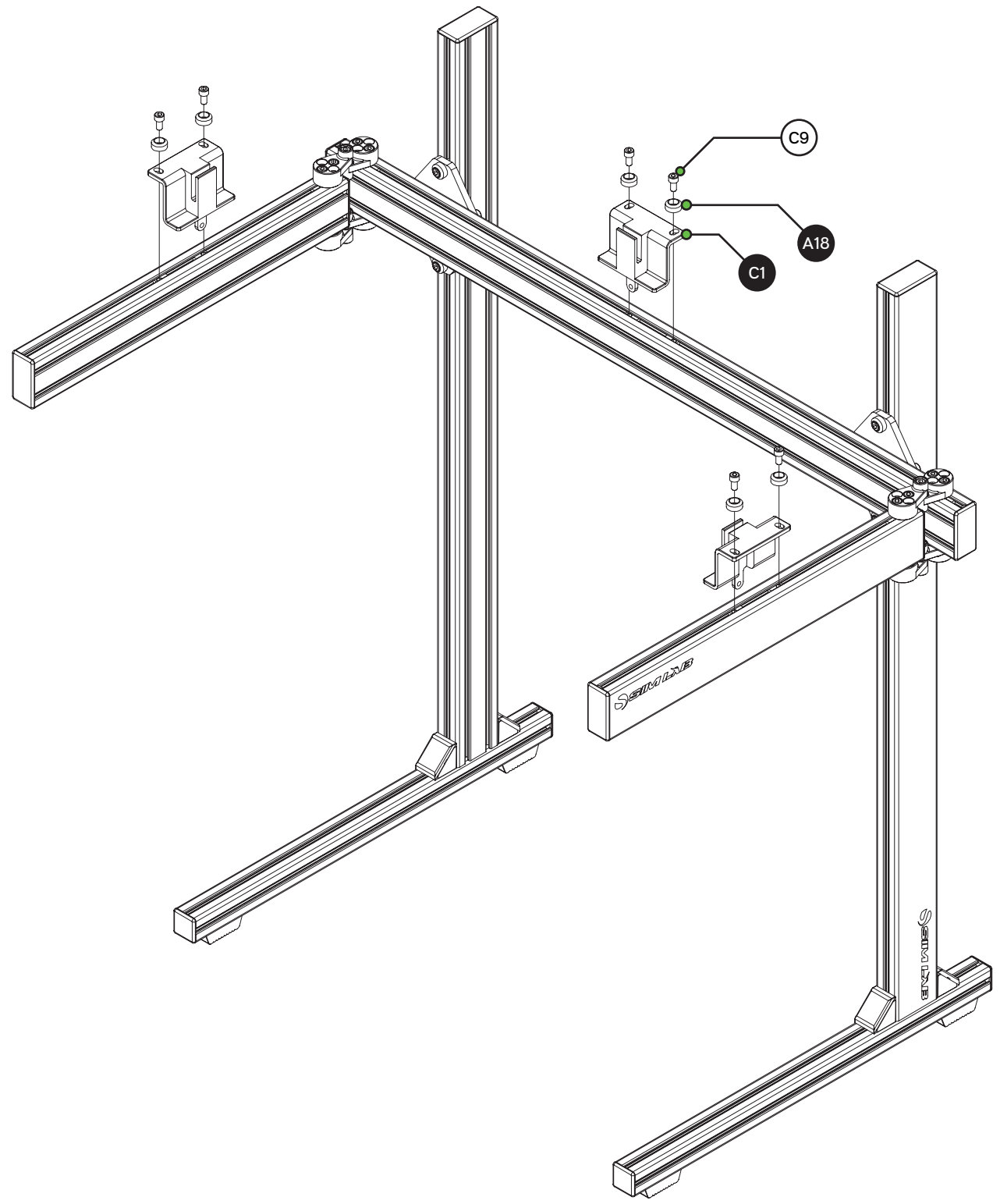
* Mind the orientation of the Slot-Nuts.

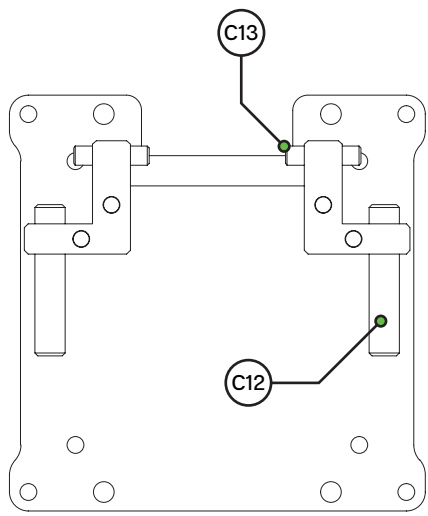
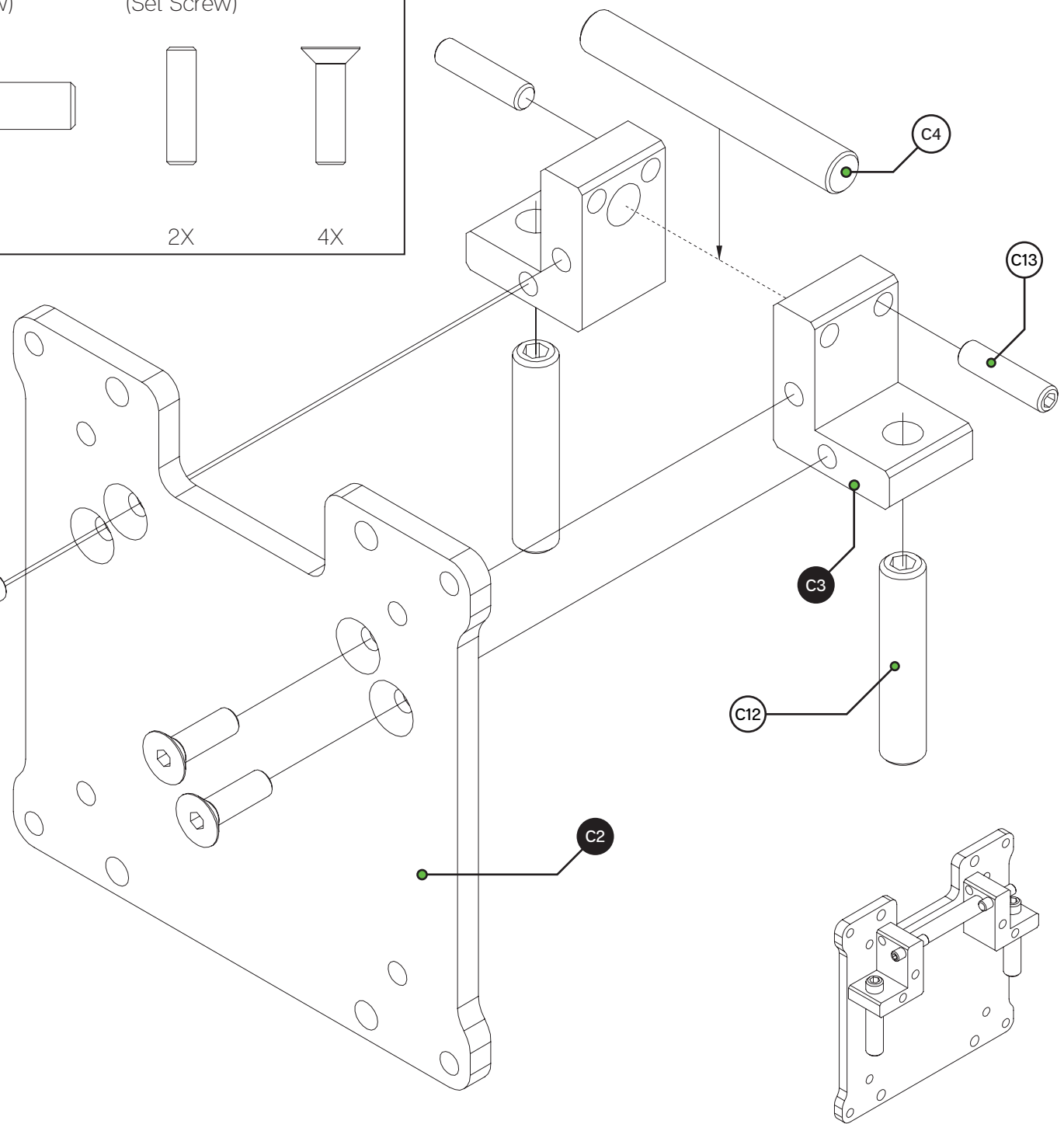
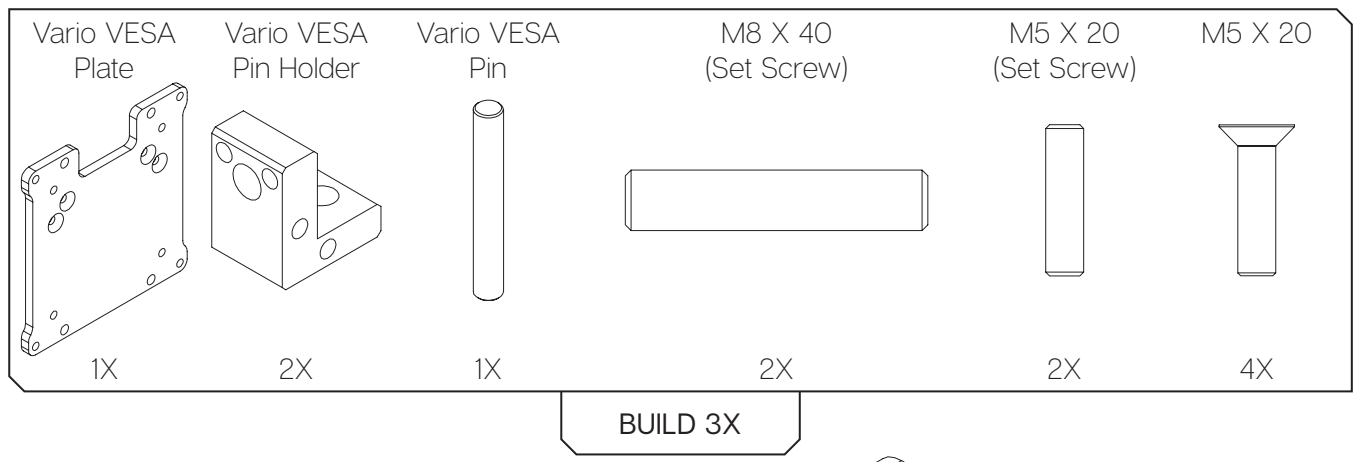


Adjust arm angles to your preference.
We included markings in the pivots.

Markings are placed in 10° increments.

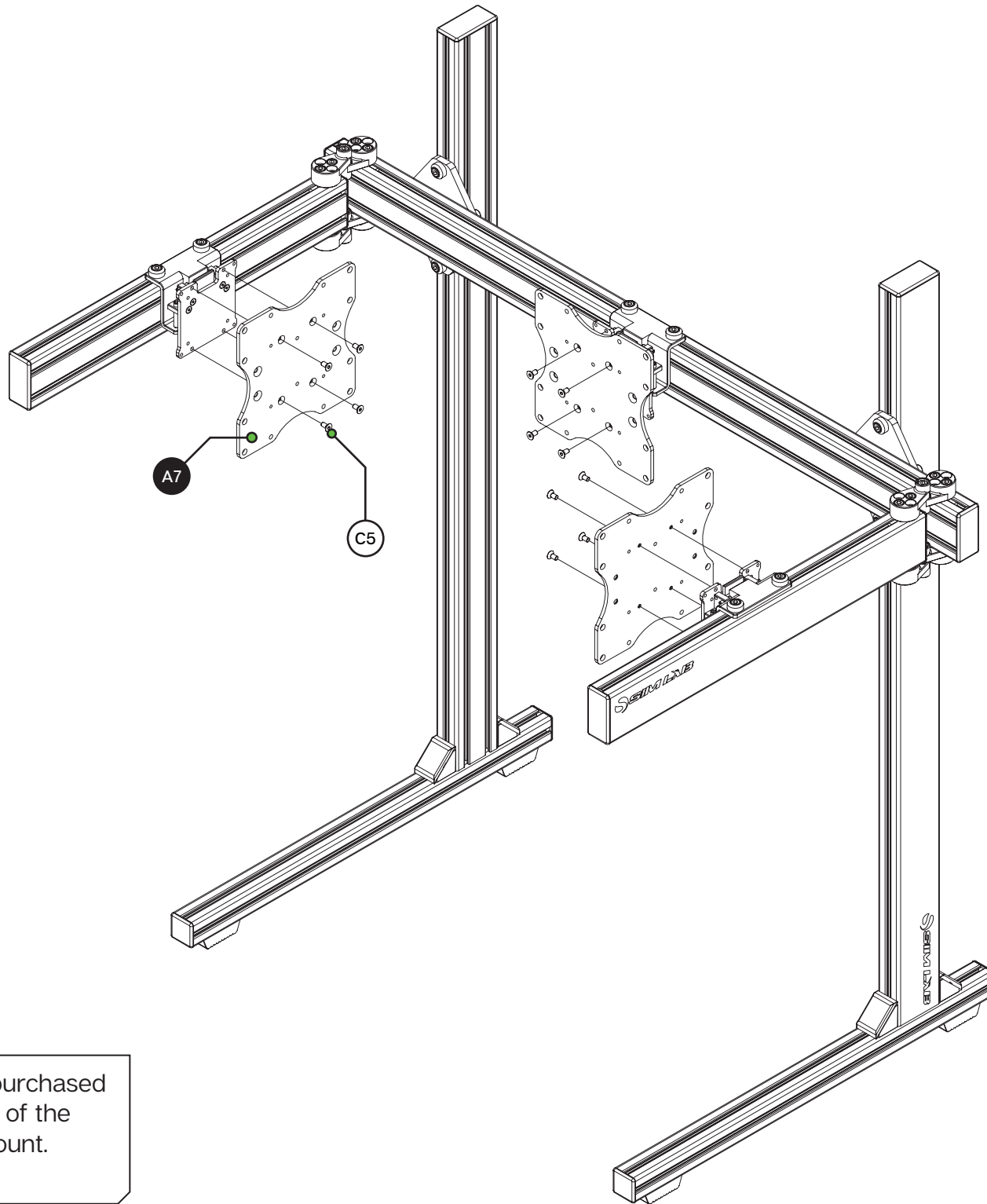
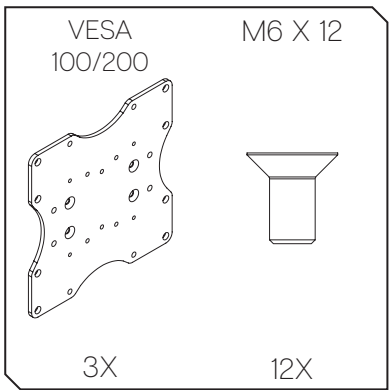
Vario VESA Holder	M8 X 16	Cap-Washer M8
		
3X	6X	6X





When parts C12 and C13 are installed like above, monitors are easy to install in a neutral position. Parts C12 can be adjusted to change the tilt and/or height.

Parts C13 can be adjusted to adjust the monitor sideways if needed, and fix it in place.



This page only applies if you purchased the VESA 100/200 version of the VARIO™ triple monitor mount.

BOX A - VARIO TRIPLE MONITOR MOUNT PROFILE KIT

#	Part	QTY	Note
P1	80X40 Length=1195mm	1	
P2	80X40 3N Length=1195mm	1	Left upright, engraved.
P3	80X40 3N Length=1195mm	1	Right upright, engraved.
P4	80X40 3N Length=580mm	1	Left arm, engraved.
P5	80X40 3N Length=580mm	1	Right arm, engraved.
P6	40X40 Length=580mm	2	

HARDWARE KIT

A7	VESA 100/200 adapter (optional)	4	Depends on purchase.
A8	Rubber foot	4	
A9	Triple sandwich plate 80	2	
A10	Corner bracket 40x40	4	
A11	Corner bracket 40x40 cap	4	
A12	Profile 80x40 end-cap	8	
A13	Profile 40x40 end-cap	4	
A14	Bolt M8 X 25 DIN 912	4	
A15	Bolt M8 X 20 DIN 912	8	
A16	Bolt M8 X 16 DIN 912	8	
A17	Bolt M8 X 20 DIN 7380	4	Buttonhead.
A18	Cap-Washer M8	10	
A19	Washer M8 DIN 125-A	8	
A20	Washer M8 DIN 988	4	
A21	Slot-Nut M8	24	

Disclaimer: for some entries on this page, we supply more than required as spare materials. Don't worry if you have some leftovers, this is intentional.

BOX B - Xero-Play triple pivot set HARDWARE KIT

#	Part	QTY	Note
B1	Xero-Play triple pivot adapter	8	
B2	Bolt M8 X 40 DIN 912	4	
B3	Bolt M8 X 25 DIN 912	16	
B4	Nut M8	4	
B5	Slot-Nut M8	16	

BOX C - Vario VESA triple adapter set HARDWARE KIT

#	Part	QTY	Note
C1	Vario VESA holder	3	
C2	Vario VESA plate	3	
C3	Vario VESA pin holder	6	
C4	Vario VESA pin	3	
C5	Bolt M6 X 12 DIN 7991	12	Used with VESA 100/200 adapter.
C6	Bolt M5 X 20 DIN 7991	12	
C7	Bolt M4 X 16 DIN 7985	12	Philips head.
C8	Bolt M4 X 10 DIN 7985	12	Philips head.
C9	Bolt M8 X 16 DIN 912	6	
C10	Bolt M6 X 16 DIN 912	12	
C11	Bolt M5 X 16 DIN 912	12	
C12	Set screw M8 X 40 DIN 916	9	
C13	Set screw M5 X 20 DIN 916	6	
C14	Washer M8 DIN 125-A	6	
C15	Slot-Nut M8	6	

If you still have some questions regarding assembly of this product or about the manual itself, please refer to our support department. They can be reached at

support@sim-lab.eu

Alternatively, we now have a Discord server where there are quite some experienced Sim-Lab customers hanging out. They might just help you along if you ask them nicely ;)

www.sim-lab.eu/discord

If you feel like printing this manual, please consider the environment before doing so. For the best results, make sure you print at 100% scale without borders.

[Product page on the Sim-Lab website:](#)

