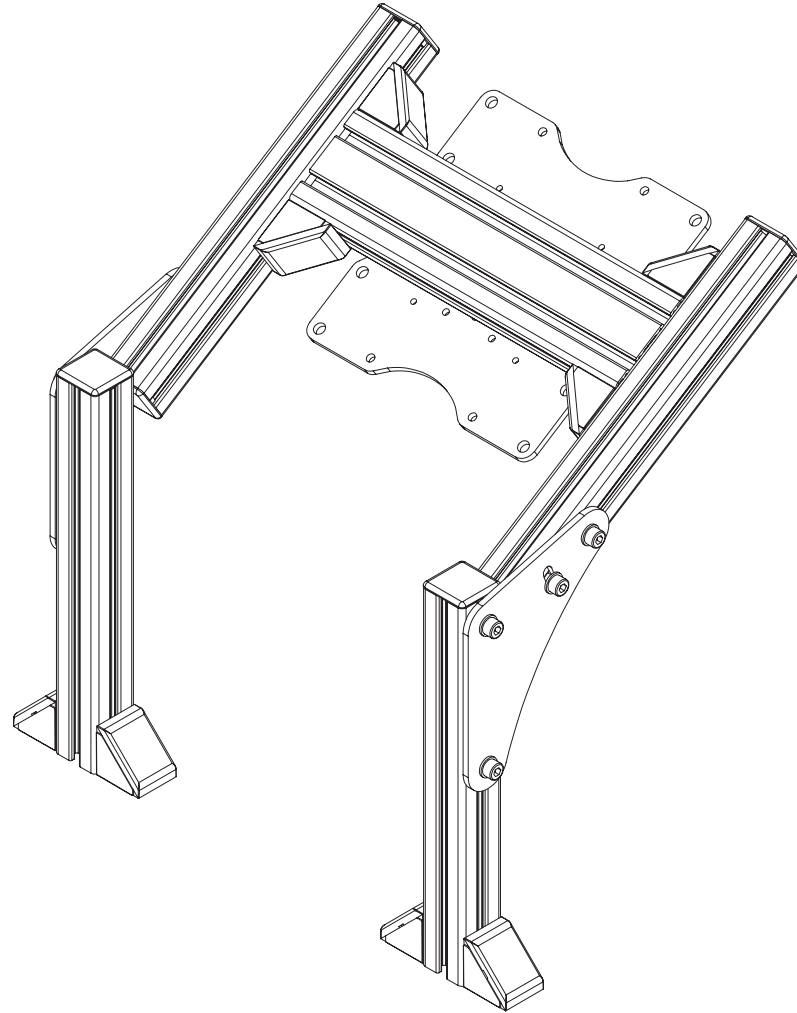


SIM LAB

INSTRUCTION MANUAL



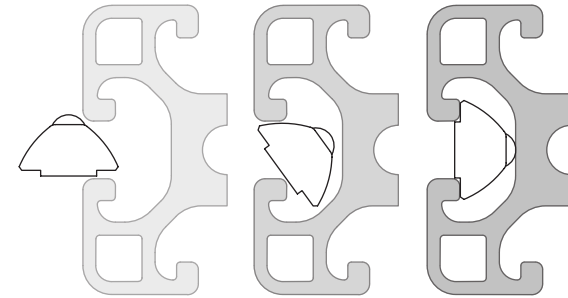
QUAD ADD-ON
VERSION 1.2
Last updated: 11-10-2023

BEFORE YOU START:

Thank you for purchasing this Sim-Lab product! On the following pages, you will find detailed instructions on assembly. This requires only a set of simple tools and some of your time. Please check the bill of materials before starting (page 10) and make sure all the parts are delivered.


Inserting Slot-Nuts:

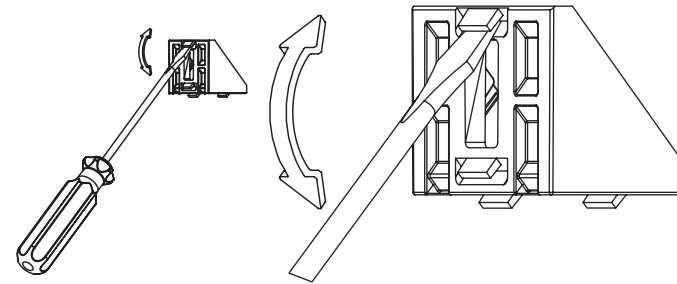
You got excited, finished the build, put the caps on, but forgot to install one element. Do not worry. It happens to everyone. In this diagram, you can see how to insert a Slot-Nut directly into the slot from the side. You can also use one of your smaller Hex wrenches to help wiggle the Slot-Nut in place.



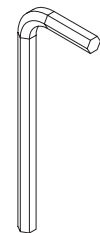
Breaking tabs:

Sometimes tabs from corner brackets need to be broken off in order to fit as instructed. Place a flathead screwdriver behind the tab and tilt upwards.

Always make sure to point away from you while doing so. To know when to do this, we will show the following symbol  next to the brackets.



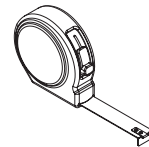
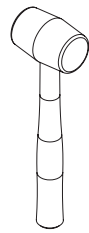
Tools needed:

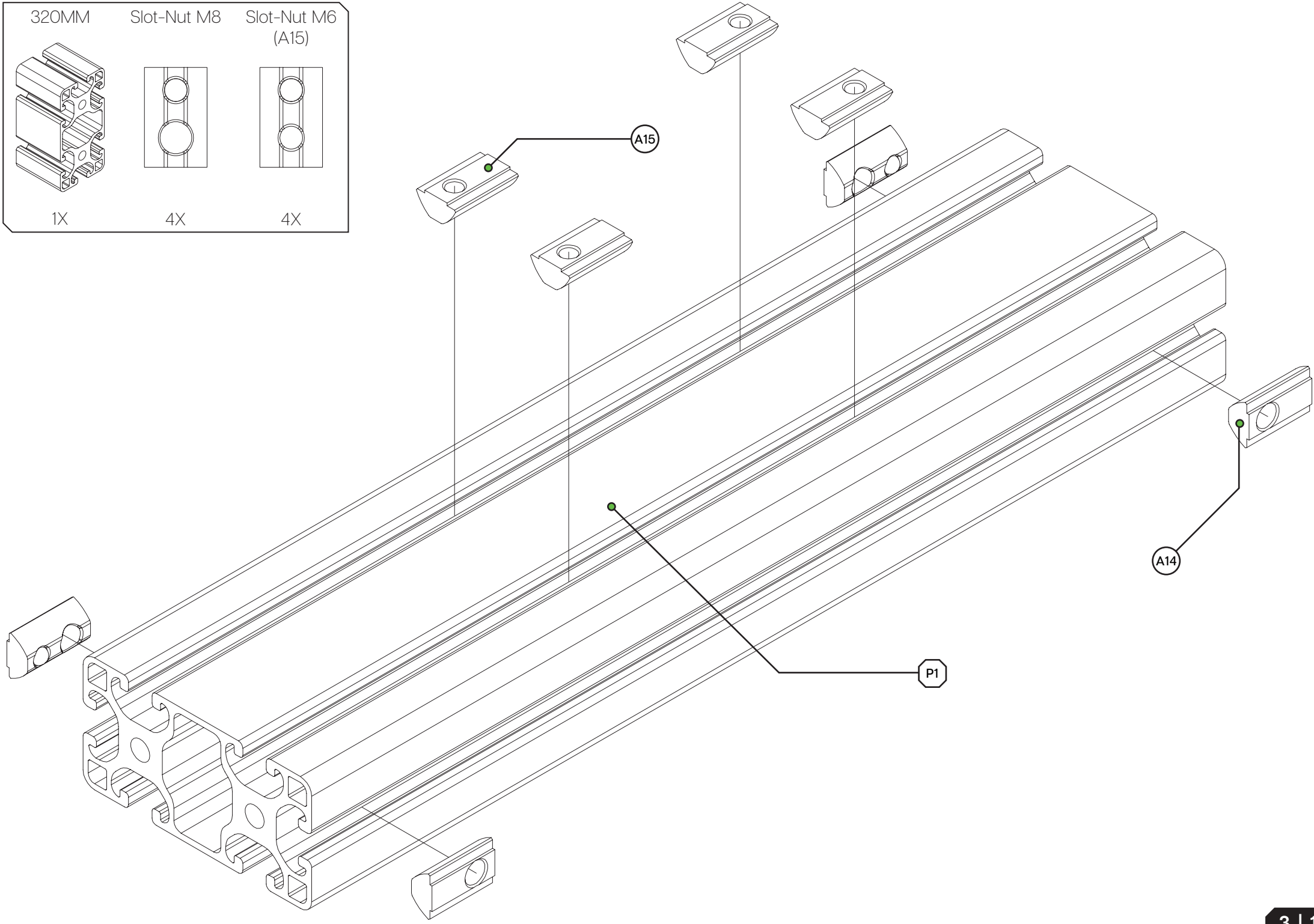
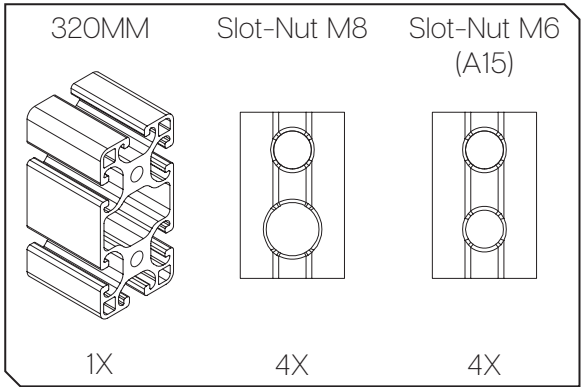


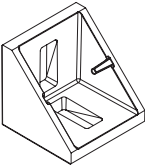
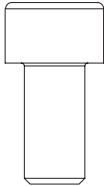
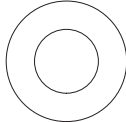
4/6MM

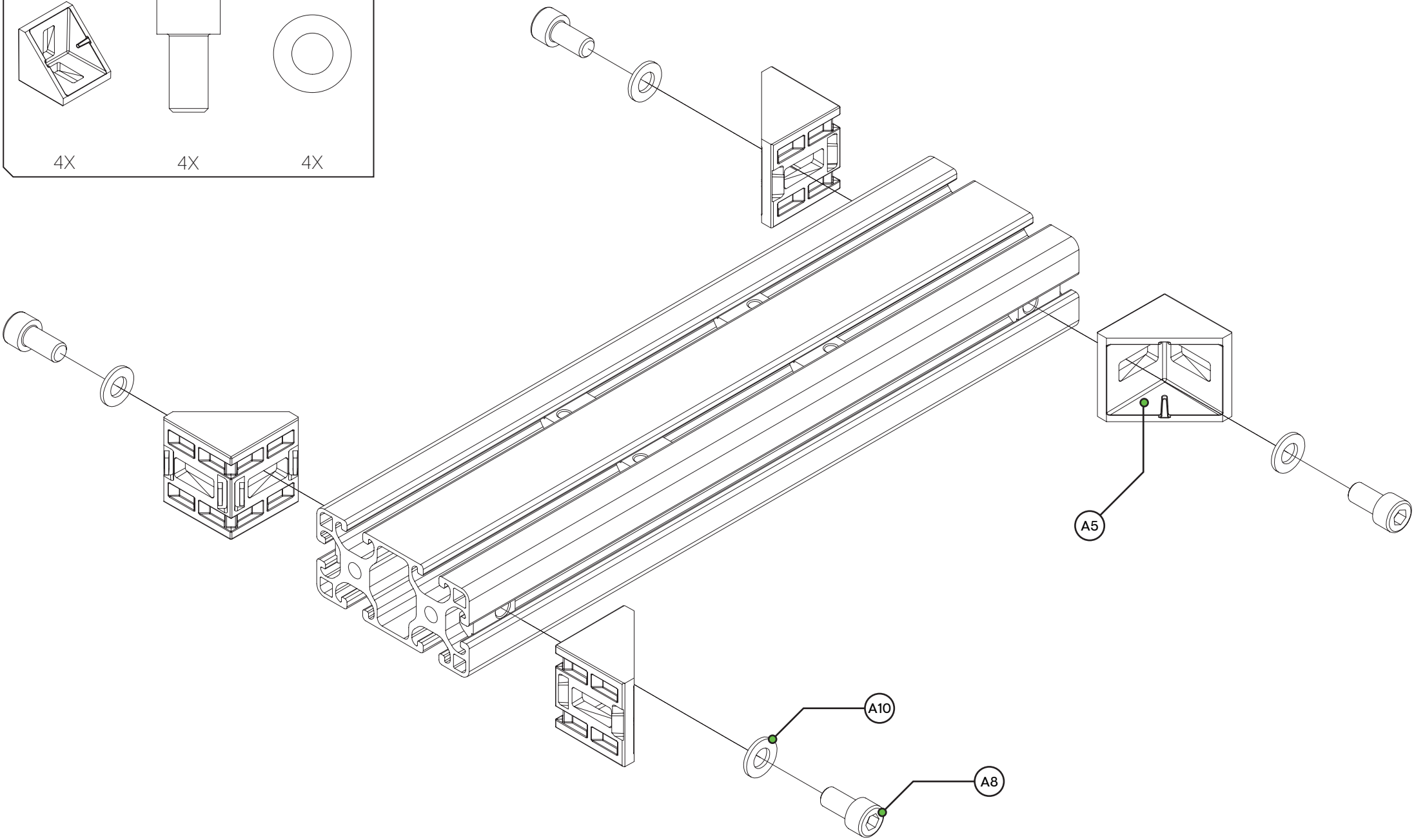


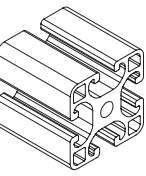
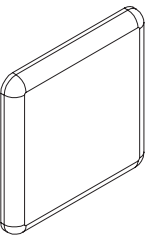
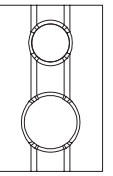
+

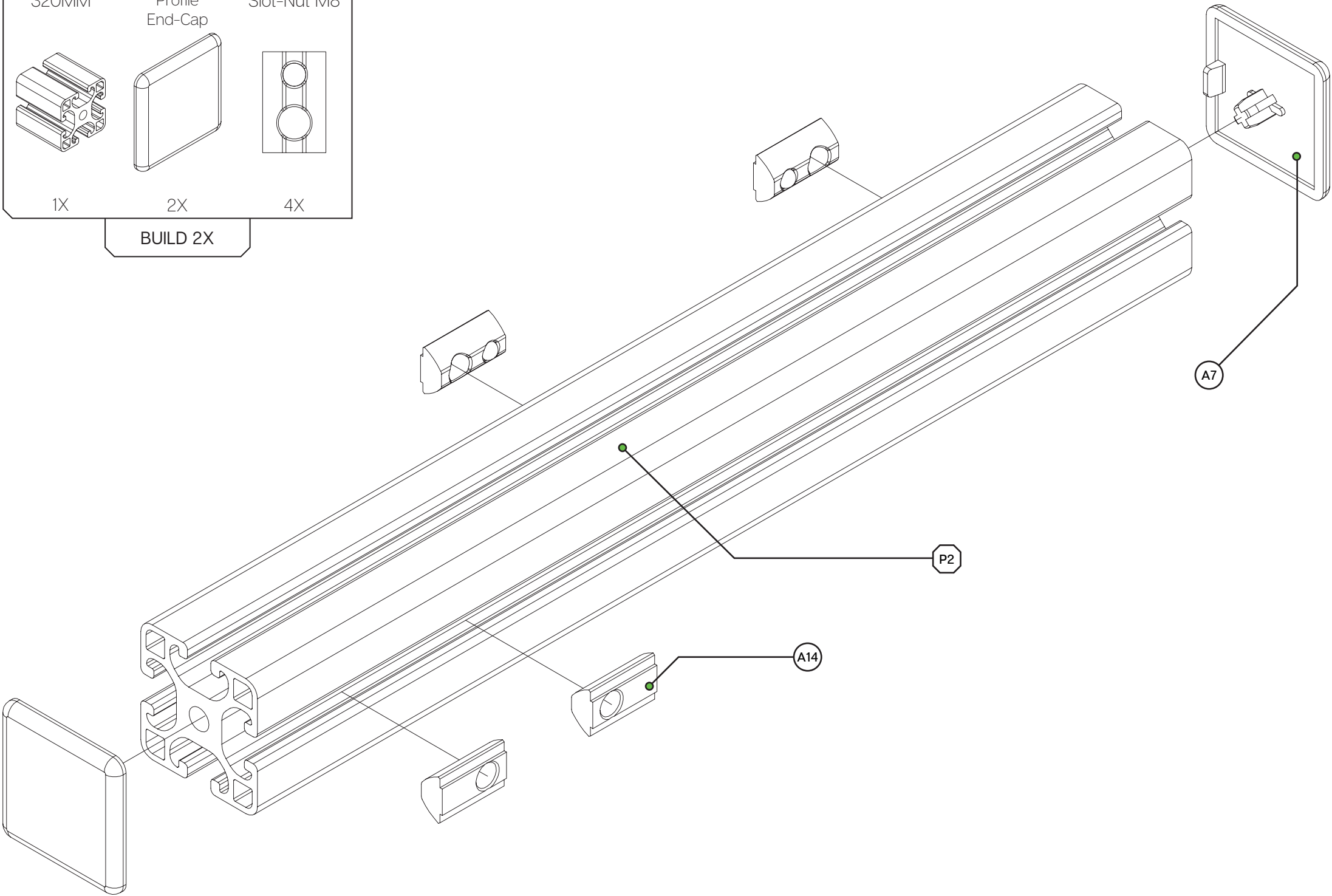




Corner Bracket	M8 X 16	Washer M8
		
4X	4X	4X

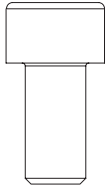


320MM	Profile End-Cap	Slot-Nut M8
		
1X	2X	4X
BUILD 2X		

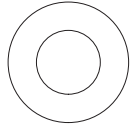


M8 X 16

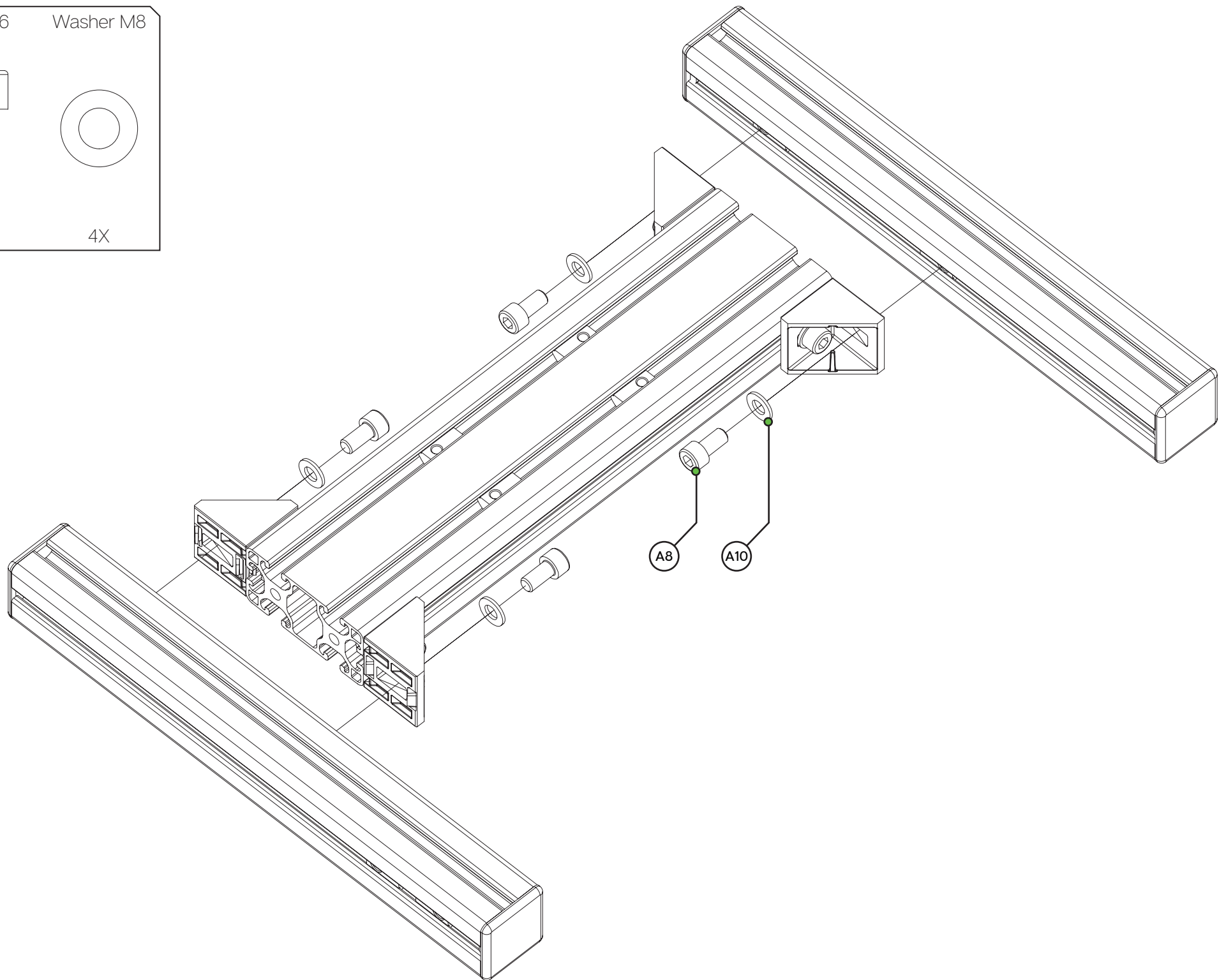
Washer M8



4X

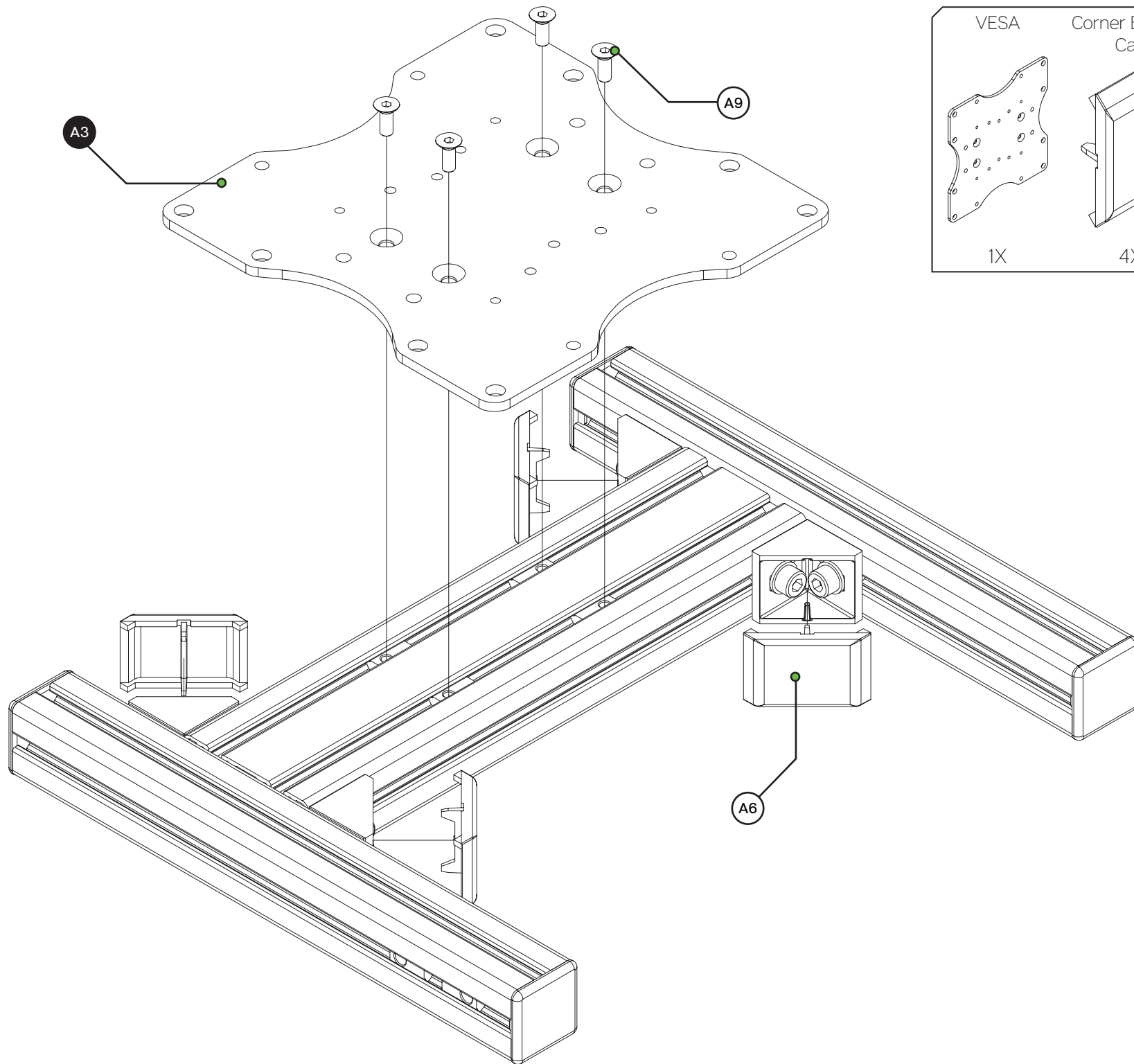


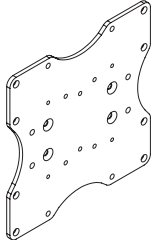
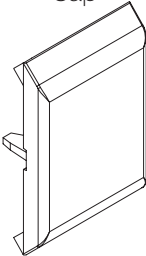
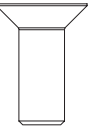
4X

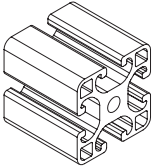
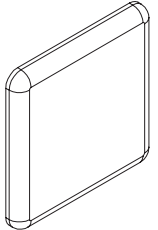
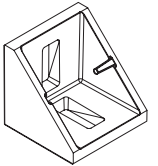
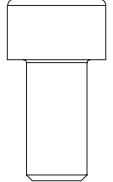
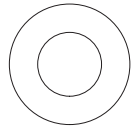
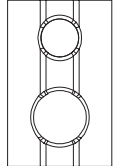


A8

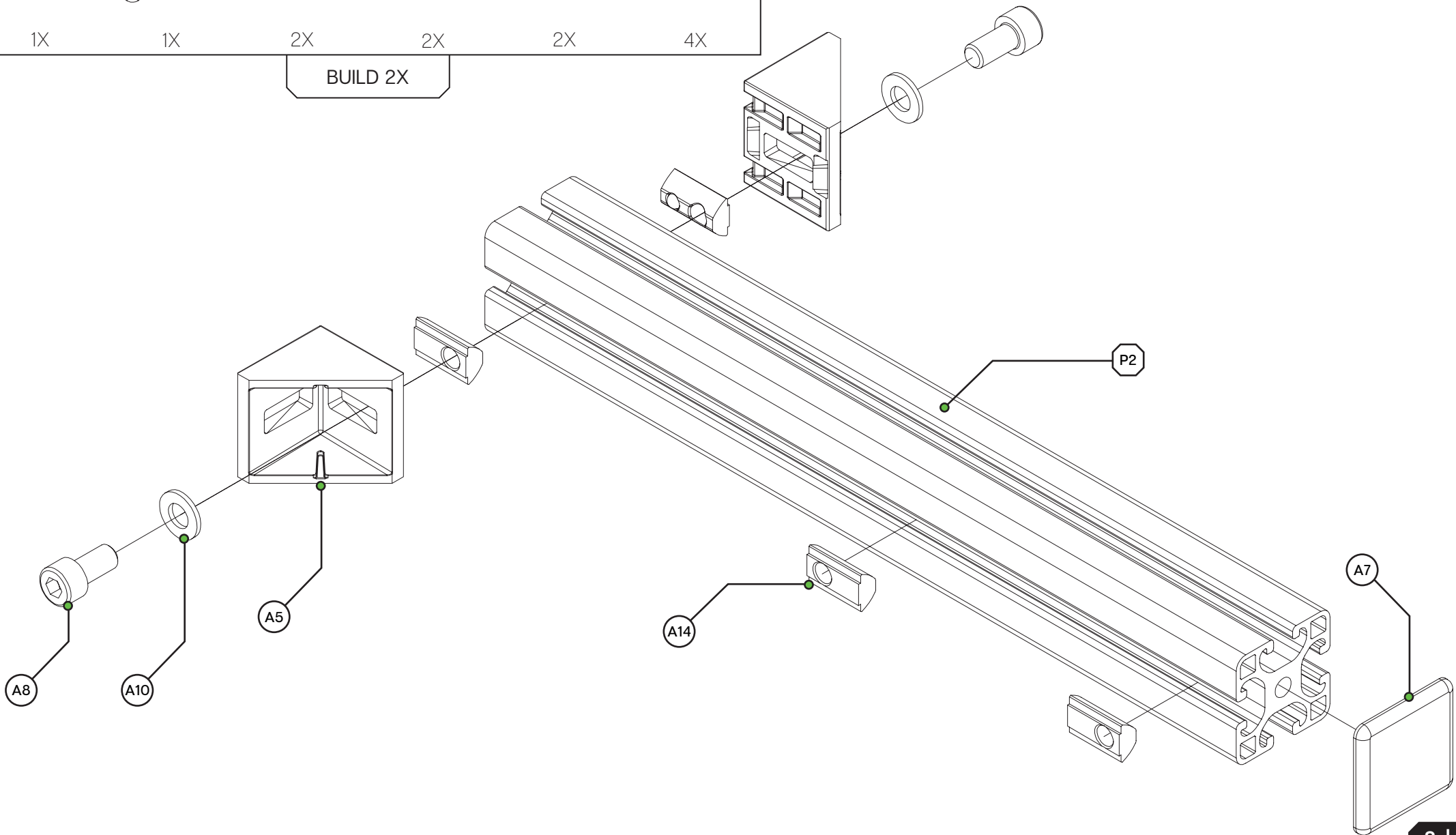
A10

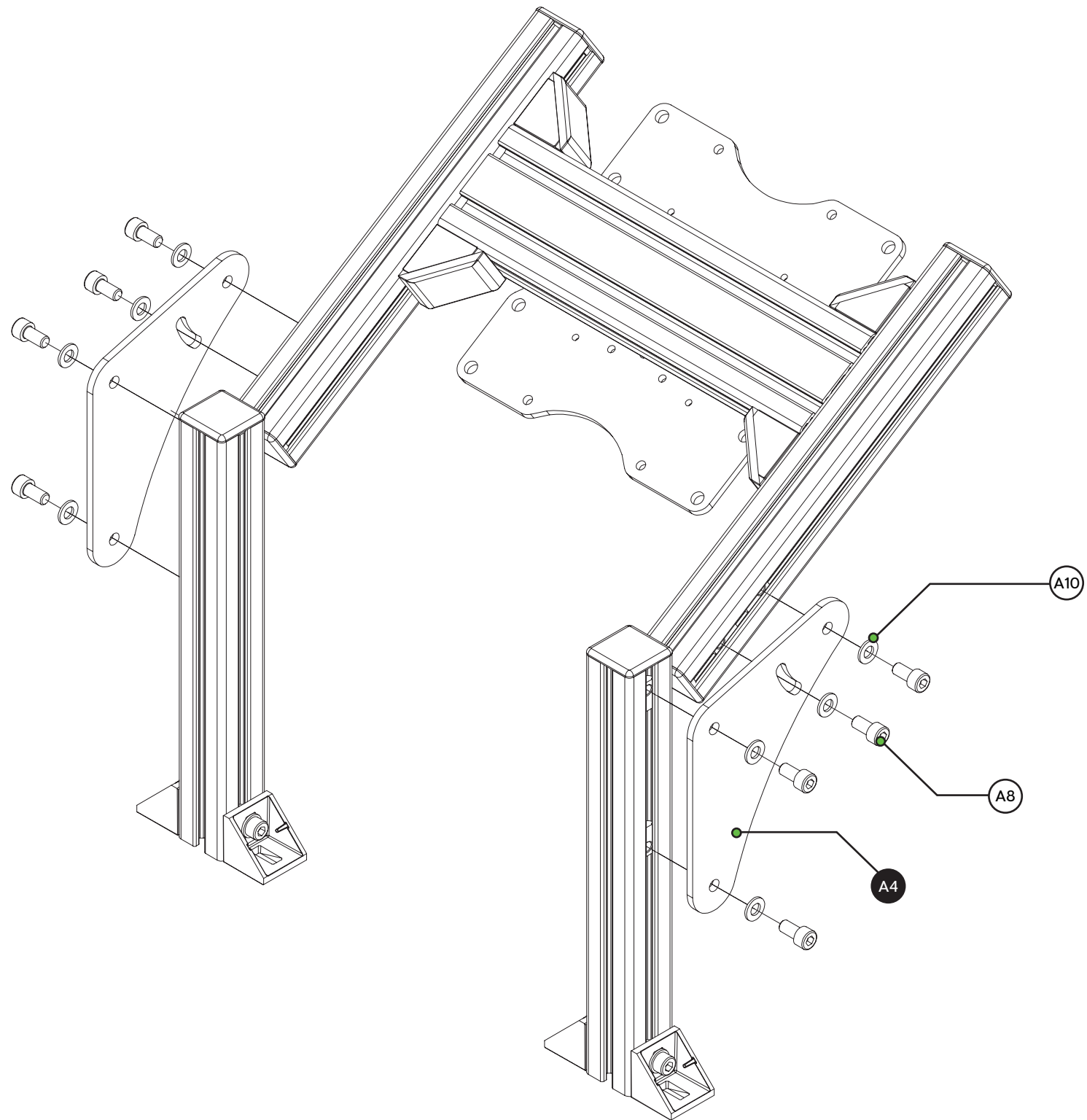


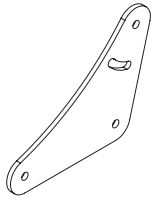
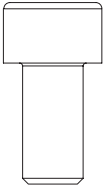
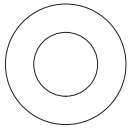
VESA	Corner Bracket Cap	M6 X 16
		
1X	4X	4X

320MM	Profile End-Cap	Corner Bracket	M8 X 16	Washer M8	Slot-Nut M8
					
1X	1X	2X	2X	2X	4X

BUILD 2X





Pivot Plate	M8 X 16	Washer M8
		
2X	8X	8X

PROFILE KIT			
#	Part	QTY	Note
P1	80X40 Length=320mm	1	
P2	40X40 Length=320mm	4	
HARDWARE KIT			
A3	VESA 200 adapter	1	
A4	Pivot plate	2	
A5	Corner bracket 40x40	8	
A6	Corner bracket 40x40 cap	8	
A7	Profile 40x40 end-cap	6	
A8	Bolt M8 X 16 DIN 912	24	
A9	Bolt M6 X 16 DIN 7991	4	
A10	Washer M8 DIN 125-A	24	
A11	Screw Philips M4 X 16 DIN 7985	4	Extra
A12	Screw Philips M4 X 10 DIN 7985	4	Extra
A13	Spacer male/female M4 X 10	4	Extra
A14	Slot-Nut M8	24	
A15	Slot-Nut M6	4	
<i>Disclaimer: for some entries on this list, we supply more than required as spare materials. Don't worry if you have some leftovers, this is intentional.</i>			

If you still have some questions regarding assembly of this product or about the manual itself, please refer to our support department. They can be reached at

support@sim-lab.eu

Alternatively, we now have a Discord server where there are quite some experienced Sim-Lab customers hanging out. They might just help you along if you ask them nicely ;)

www.sim-lab.eu/discord

If you feel like printing this manual, please consider the environment before doing so. For the best results, make sure you print at 100% scale without borders.

[Product page on the Sim-Lab website:](#)

