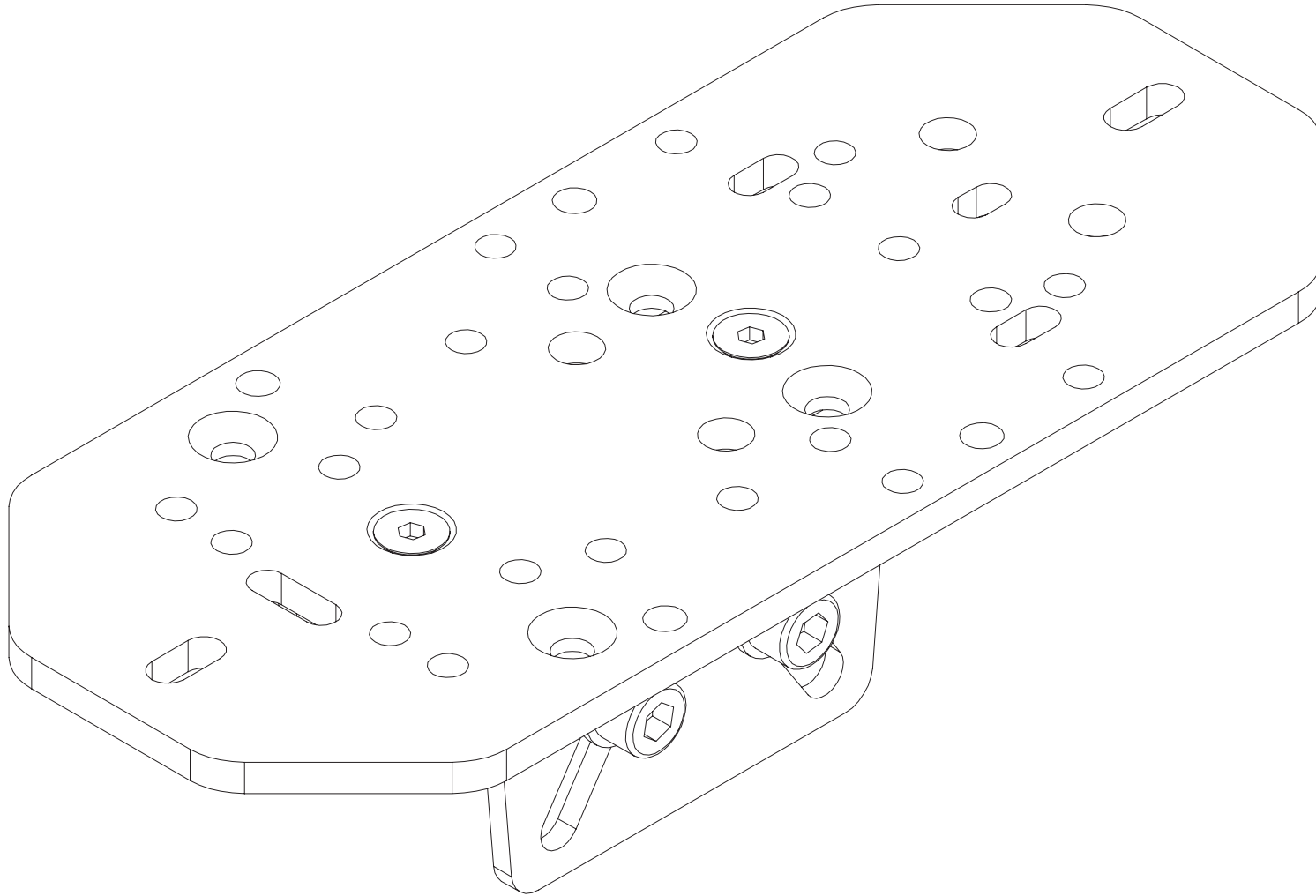


# **SIM LAB**

## INSTRUCTION MANUAL



### **SHIFTER & HANDBRAKE BRACKET**

**VERSION 1.1**

Last updated: 02-01-2024

## BEFORE YOU START:

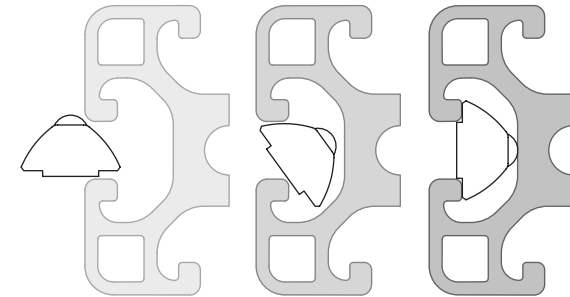
Thank you for purchasing this Sim-Lab product! On the following pages, you will find detailed instructions on assembly. This requires only a set of simple tools and some of your time. Please check the bill of materials before starting (page 8) and make sure all the parts are delivered.

At the end of this manual you will find the right holes per hardware mapped out. Depending on your hardware, different sizes of fasteners need to be used. These are all supplied in the box.

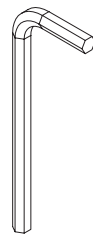
During development, Heusinkveld released a new handbrake. Unfortunately, we already produced stock to satisfy initial demand. This means this great piece of kit is sadly not supported at this time.

### Inserting Slot-Nuts:

You got excited, finished the build, put the caps on, but forgot to install one element. Do not worry. It happens to everyone. In this diagram, you can see how to insert a Slot-Nut directly into the slot from the side. You can also use one of your smaller Hex wrenches to help wiggle the Slot-Nut in place.



### Tools needed:

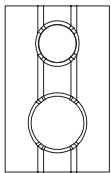


4/5/6MM



10MM

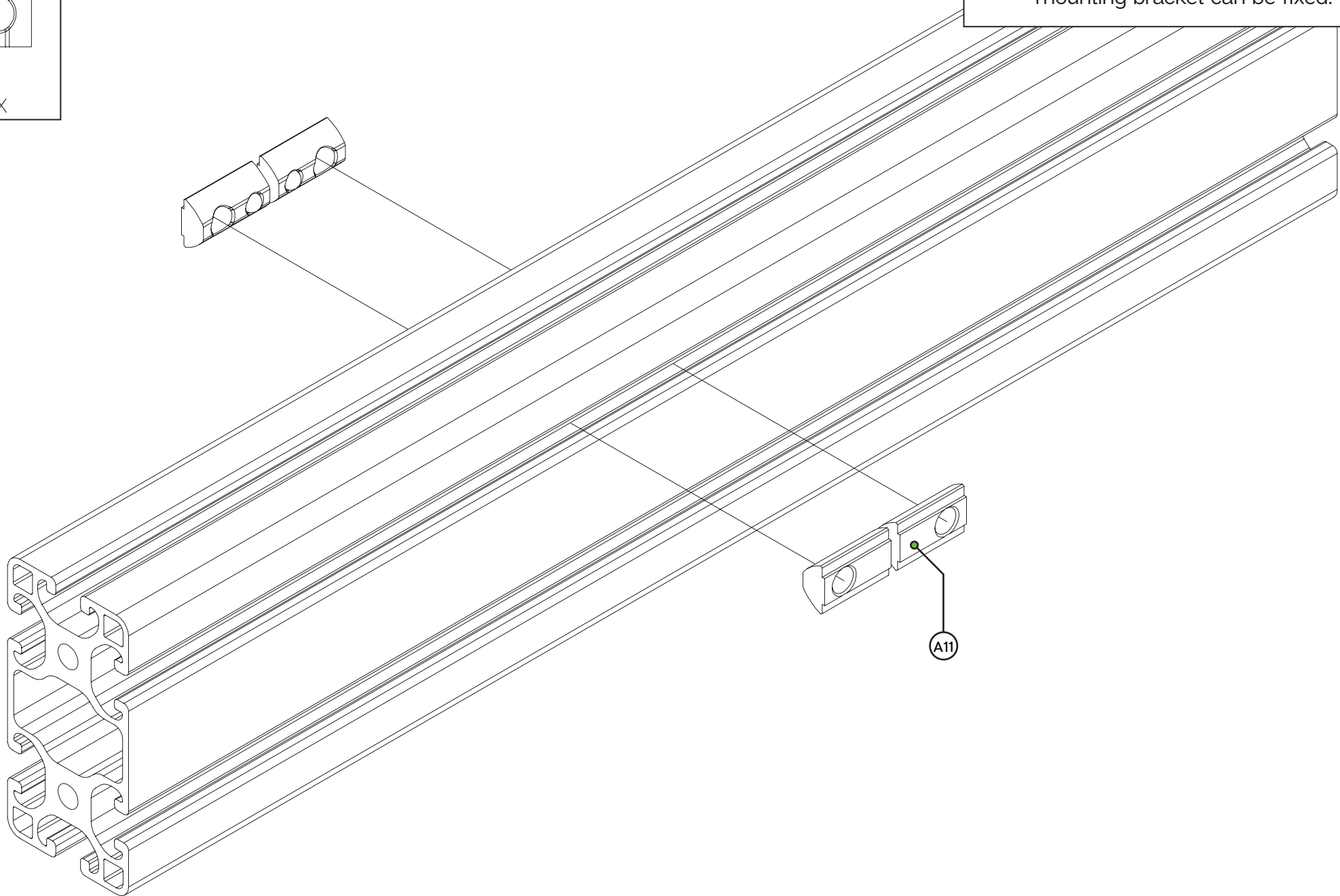
Slot-Nut M8



4X

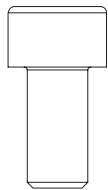
Profile used resembles the sidemounts for a P1-X, GT1-EVO or RaceX cockpit.

For a WS-PRO, only one half of the mounting bracket can be fixed.

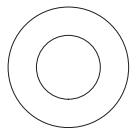


M8 X 16

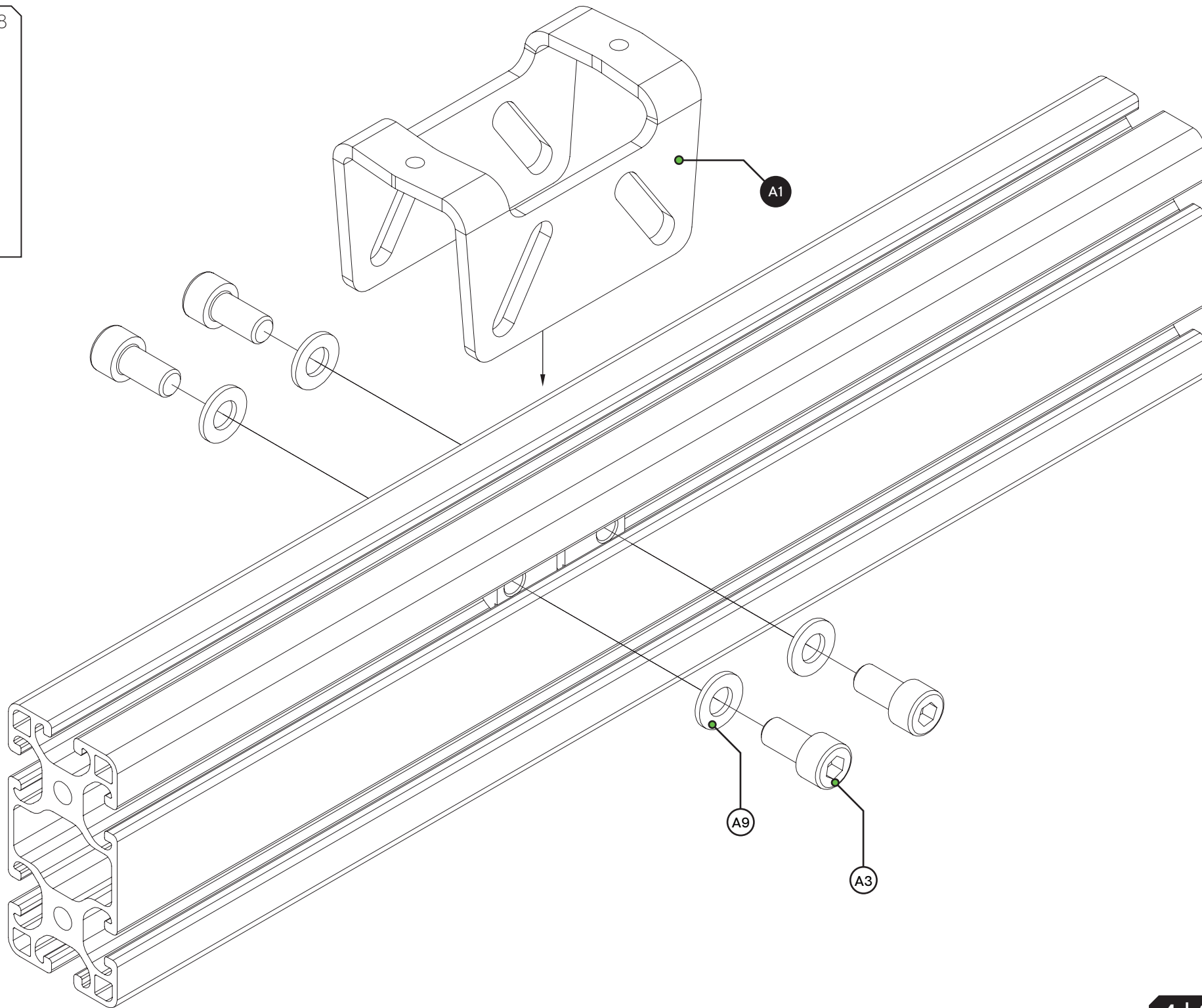
Washer M8



4X



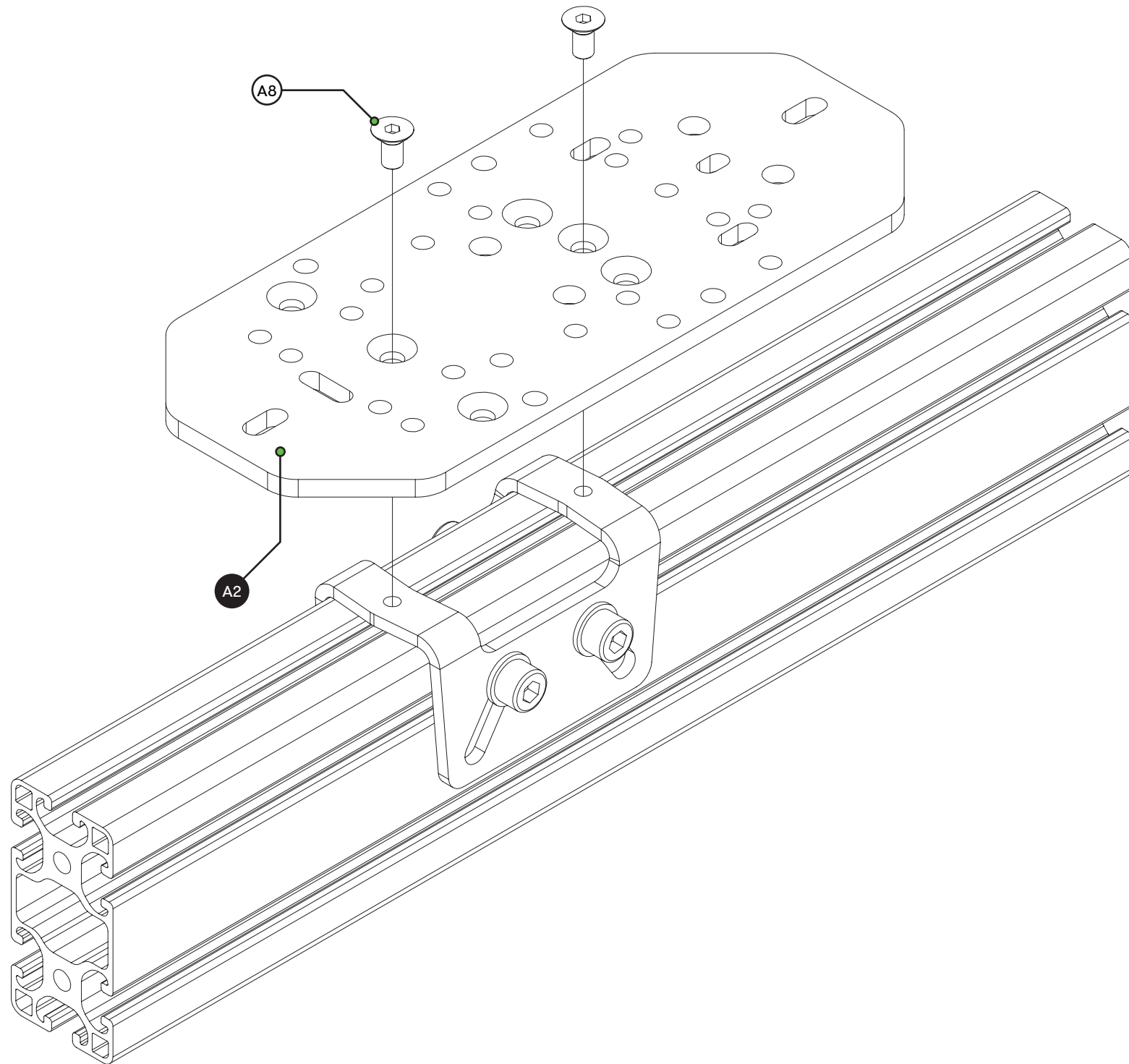
4X



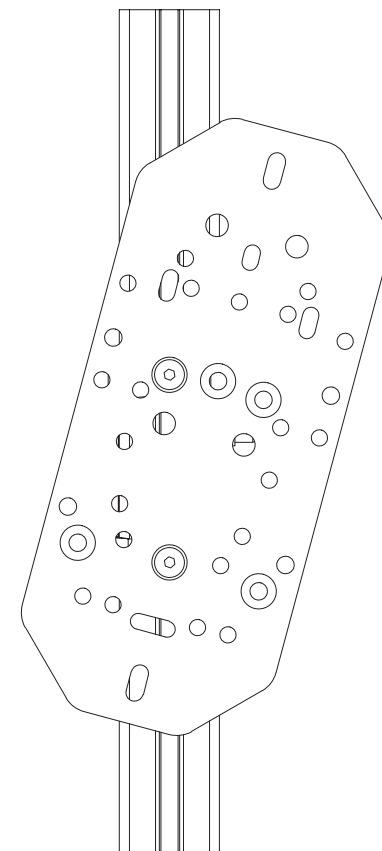
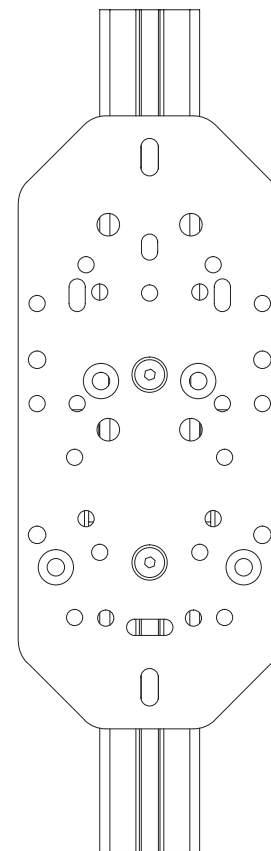
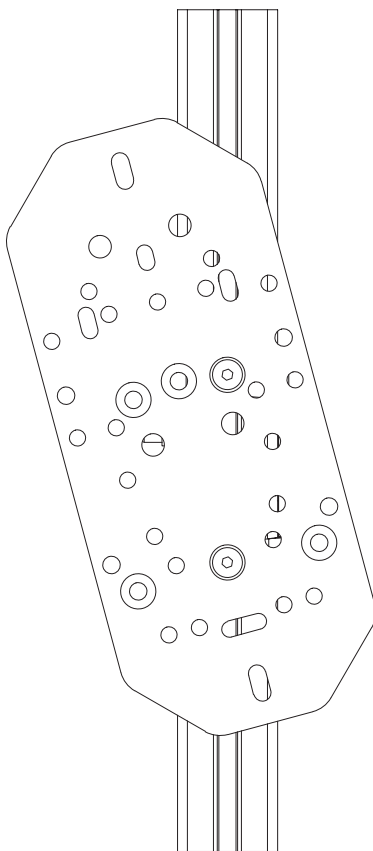
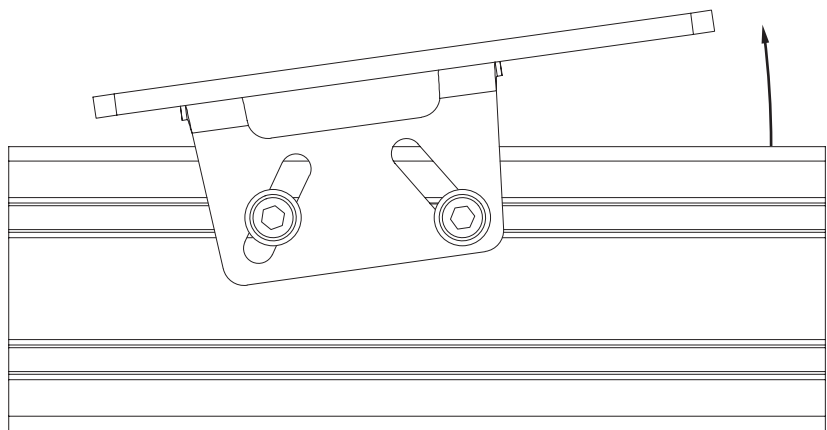
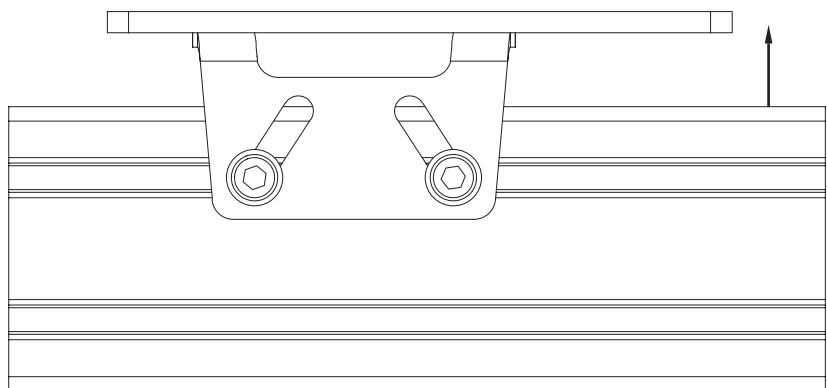
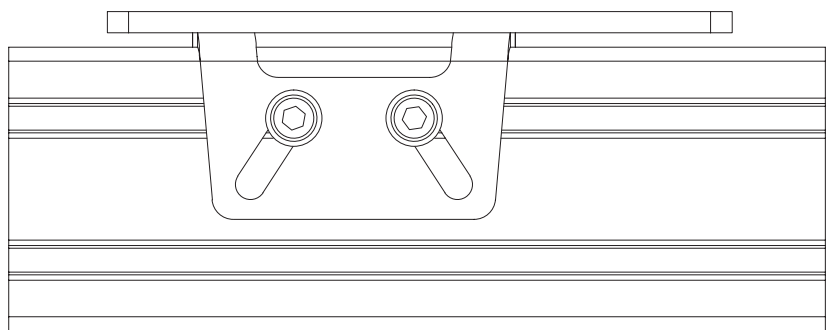
M6 X 12



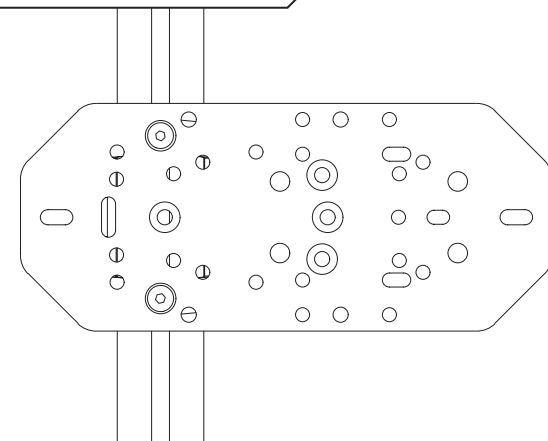
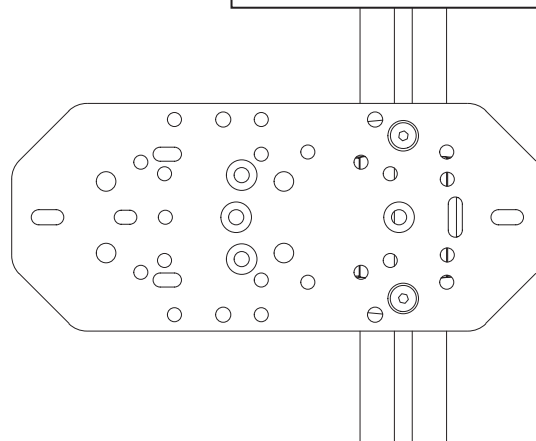
2X



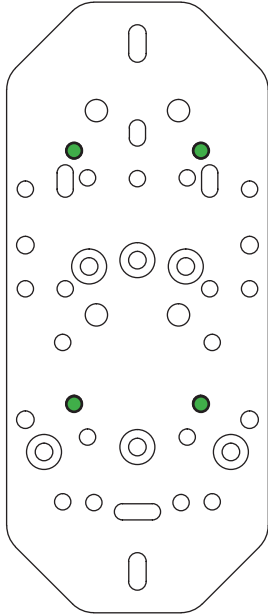
The Shifter + HB bracket allows for several orientation options. Note that sometimes your hardware demands a certain orientation.



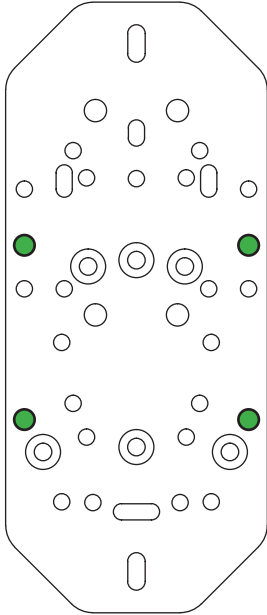
Thrustmaster TH8 and Logitech G27/29 shifters require you to rotate the mounting plate like below.



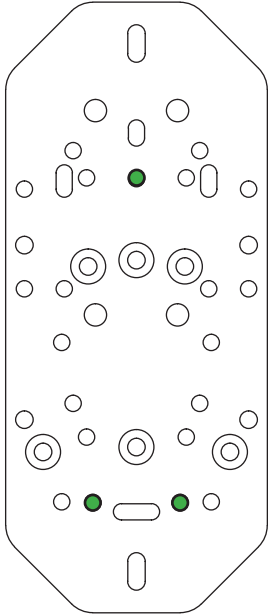
DSD Sequential Pro



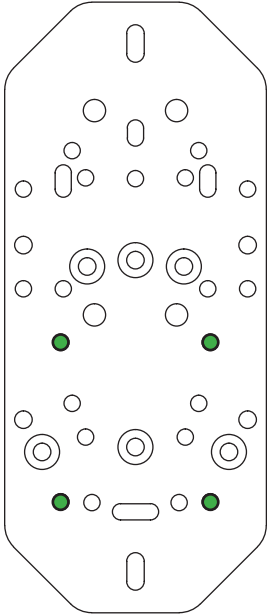
Fanatec CS Shifter SQ



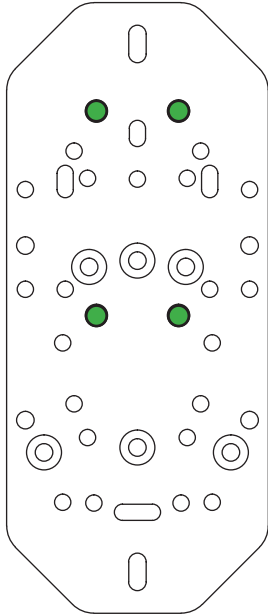
Fanatec Handbrake



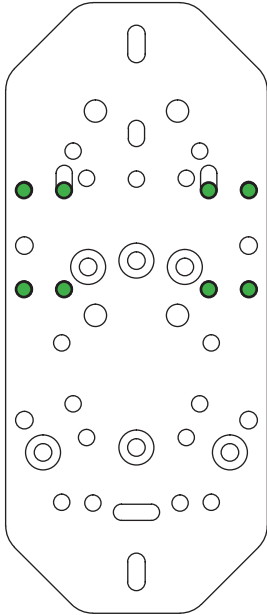
Heusinkveld Handbrake (Pre-2022)



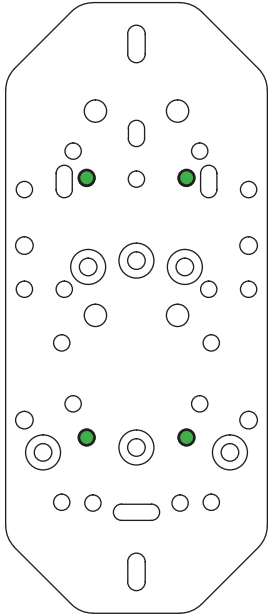
Logitech G27/29



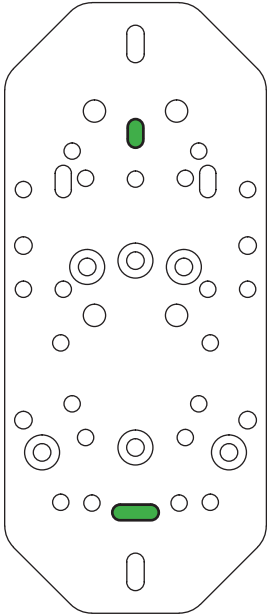
Thrustmaster TH8



Thrustmaster TSS



Sim-Lab XB1 Handbrake



<b>HARDWARE KIT</b>			
<b>#</b>	<b>Part</b>	<b>QTY</b>	<b>Note</b>
A1	Shifter + HB bracket	1	
A2	Shifter + HB mounting plate	1	
A3	Bolt M8 X 16 DIN 912	6	
A4	Bolt M8 X 12 DIN 912	2	
A5	Bolt M6 X 20 DIN 912	4	
A6	Bolt M6 X 16 DIN 912	4	
A7	Bolt M6 X 16 DIN 7991	2	Countersunk
A8	Bolt M6 X 12 DIN 7991	2	Countersunk
A9	Washer M8 DIN 125-A	12	
A10	Washer M6 DIN 125-A	6	
A11	Slot-Nut M8	6	
A12	Lock-Nut M6	6	
<p><i>Disclaimer: for some entries on this list, we supply more than required as spare materials. Don't worry if you have some leftovers, this is intentional.</i></p>			



If you still have some questions regarding assembly of this product or about the manual itself, please refer to our support department. They can be reached at

support@sim-lab.eu

Alternatively, we now have a Discord server where there are quite some experienced Sim-Lab customers hanging out. They might just help you along if you ask them nicely ;)

[www.sim-lab.eu/discord](http://www.sim-lab.eu/discord)

If you feel like printing this manual, please consider the environment before doing so. For the best results, make sure you print at 100% scale without borders.

[Product page on the Sim-Lab website:](#)

