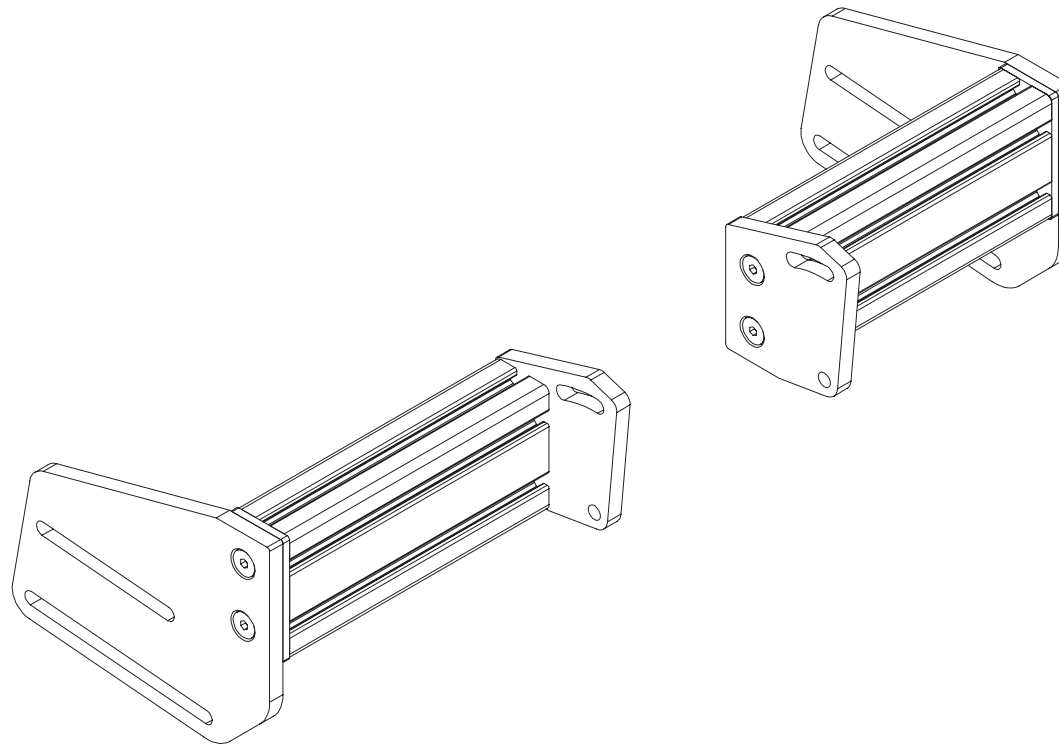


# **SIM LAB**

## INSTRUCTION MANUAL



### **PODIUM BRACKET SET**

**VERSION 1.0**

Last updated: 09-06-2023

## BEFORE YOU START:

Thank you for purchasing this Sim-Lab product! On the following pages, you will find detailed instructions on assembly. This requires only a set of simple tools and some of your time. Please check the bill of materials before starting (page 6) and make sure all the parts are delivered.

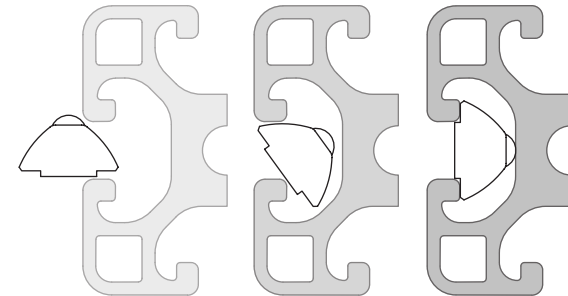
### Notes:

Depending on the hardware used, assembly might differ. When used with the CSL-DD/DD-Pro, use the spacers as indicated on page 4.

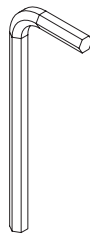
Example installation is shown on a P1-X, however this Podium Bracket Set is also compatible with the GT1-EVO. *For a GT1-EVO OLDER than 2020, compatibility has been dropped.*

### Inserting Slot-Nuts:

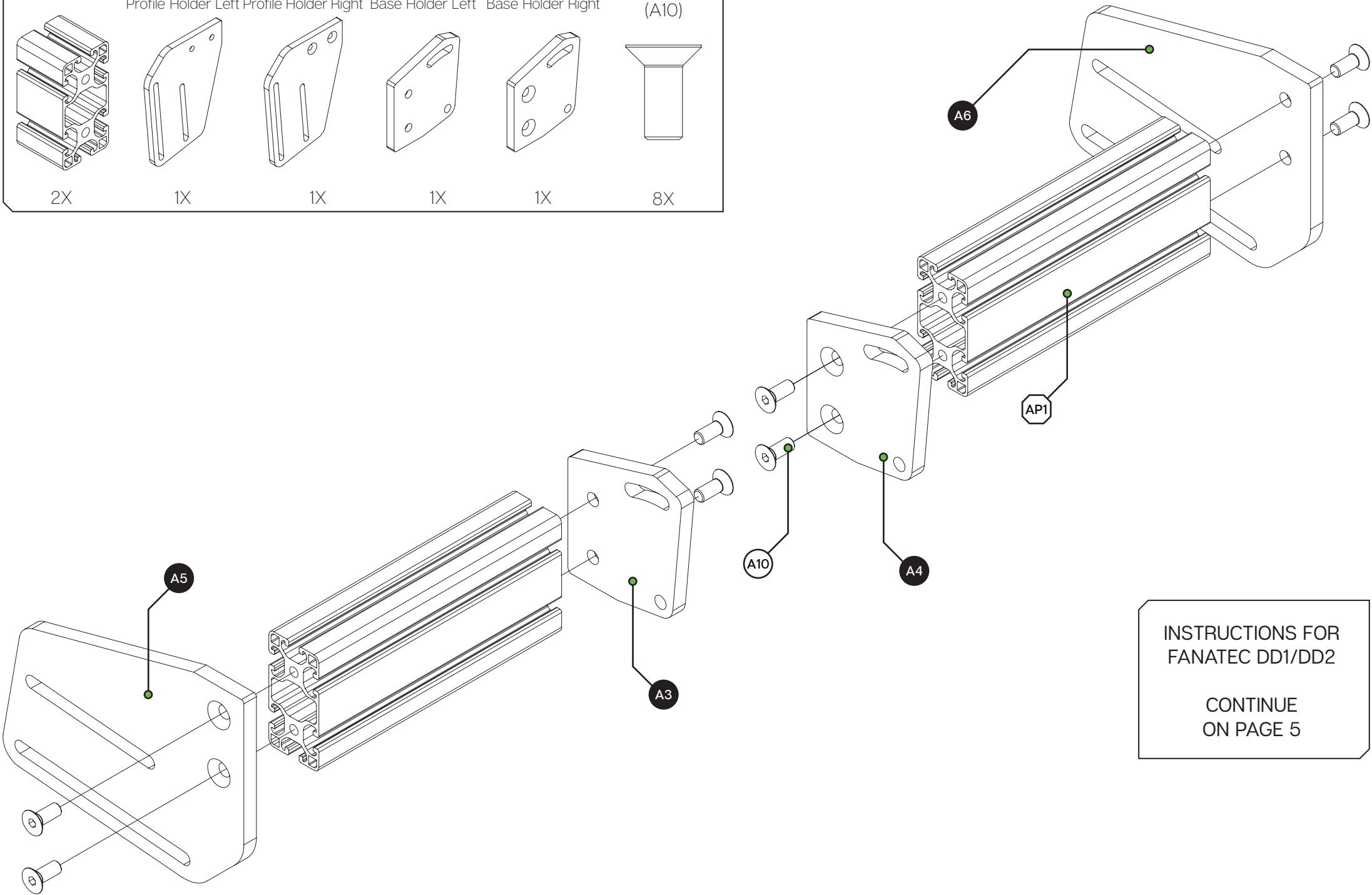
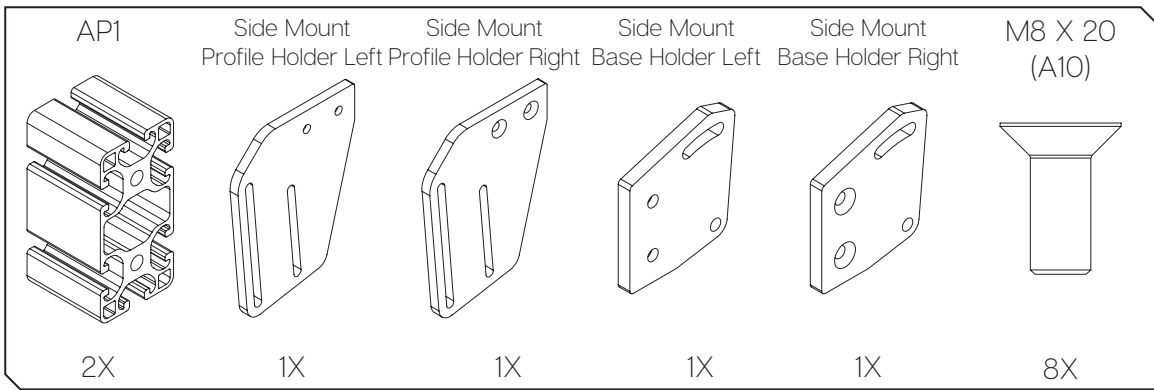
You got excited, finished the build, put the caps on, but forgot to install one element. Do not worry. It happens to everyone. In this diagram, you can see how to insert a Slot-Nut directly into the slot from the side. You can also use one of your smaller Hex wrenches to help wiggle the Slot-Nut in place.



### Tools needed:

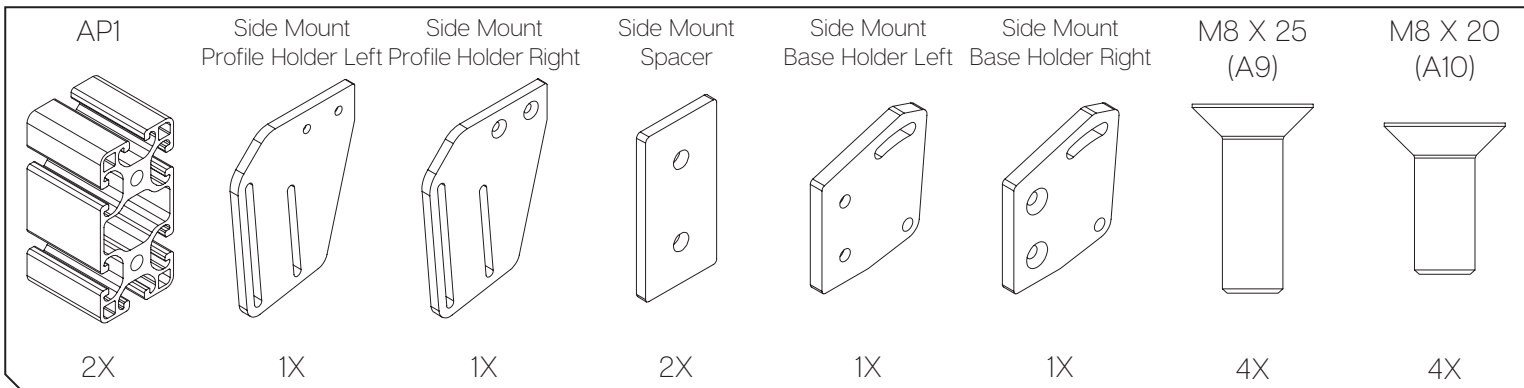


5/6MM



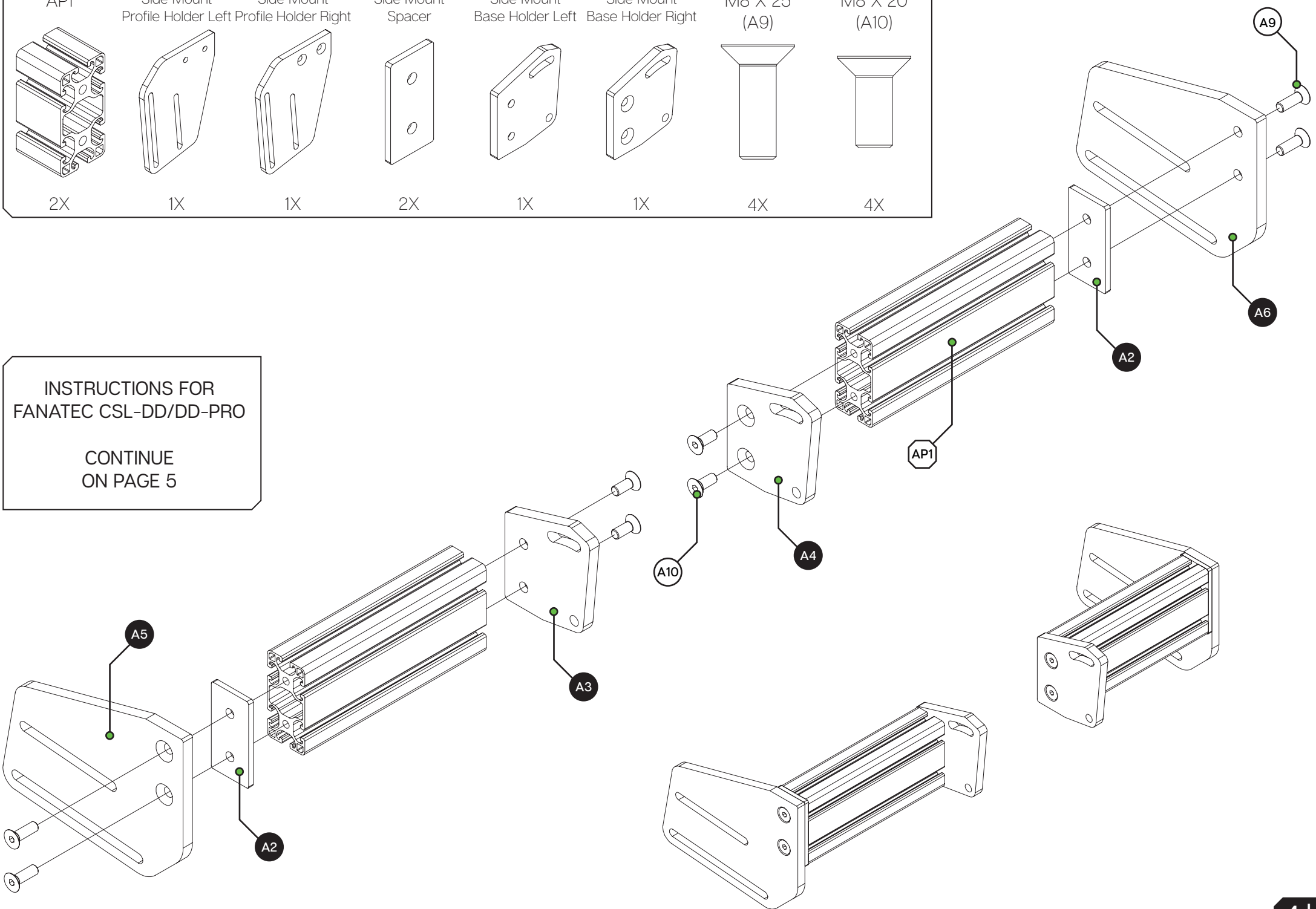
INSTRUCTIONS FOR  
FANATEC DD1/DD2

CONTINUE  
ON PAGE 5



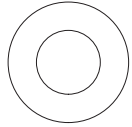
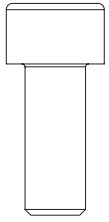
INSTRUCTIONS FOR  
FANATEC CSL-DD/DD-PRO

CONTINUE  
ON PAGE 5



M8 X 20  
(A7)

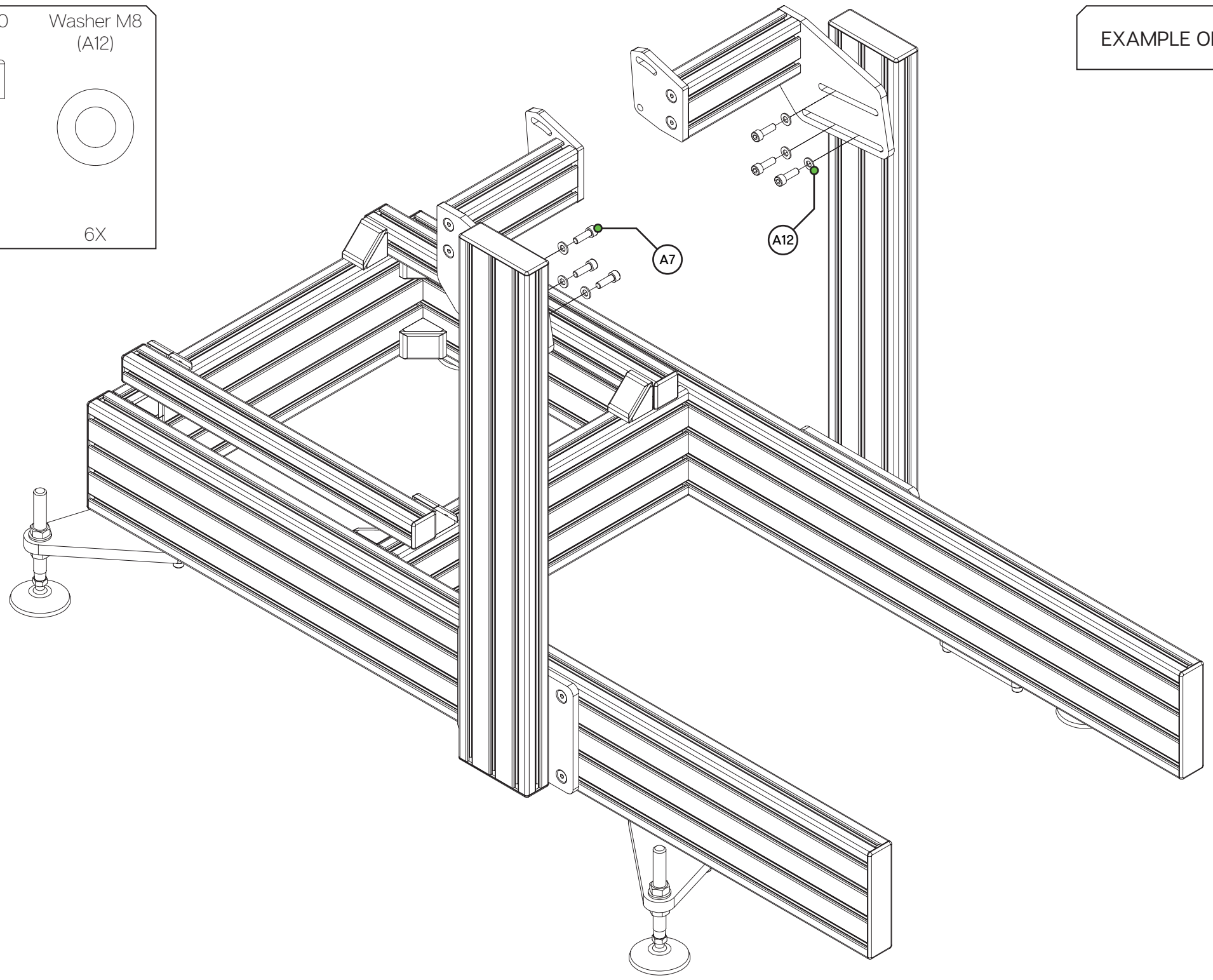
Washer M8  
(A12)



6X

6X

EXAMPLE ON P1-X



<b>PODIUM BRACKET SET PROFILE KIT</b>			
AP1	80X40	2	Threaded M8
<b>HARDWARE KIT</b>			
A2	Side mount spacer	2	Use with CSL-DD/DD-PRO.
A3	Side mount base holder LEFT	1	
A4	Side mount base holder RIGHT	1	
A5	Side mount profile holder LEFT	1	
A6	Side mount profile holder RIGHT	1	
A7	Bolt M8 X 20 DIN 912	8	
A8	Bolt M6 X 20 DIN 912	4	
A9	Bolt M8 X 25 DIN 7991	4	Countersunk
A10	Bolt M8 X 20 DIN 7991	8	Countersunk
A11	Bolt M6 X 20 DIN 7991	4	Countersunk
A12	Washer M8 DIN 125-A	8	
A13	Washer M6 DIN 125-A	6	
A14	Slot-Nut M8	8	
<i>Disclaimer: for some entries on this list, we supply more than required as spare materials. Don't worry if you have some leftovers, this is intentional.</i>			

If you still have some questions regarding assembly of this product or about the manual itself, please refer to our support department. They can be reached at

support@sim-lab.eu

Alternatively, we now have a Discord server where there are quite some experienced Sim-Lab customers hanging out. They might just help you along if you ask them nicely ;)

[www.sim-lab.eu/discord](http://www.sim-lab.eu/discord)

If you feel like printing this manual, please consider the environment before doing so. For the best results, make sure you print at 100% scale without borders.

[Product page on the Sim-Lab website:](#)

