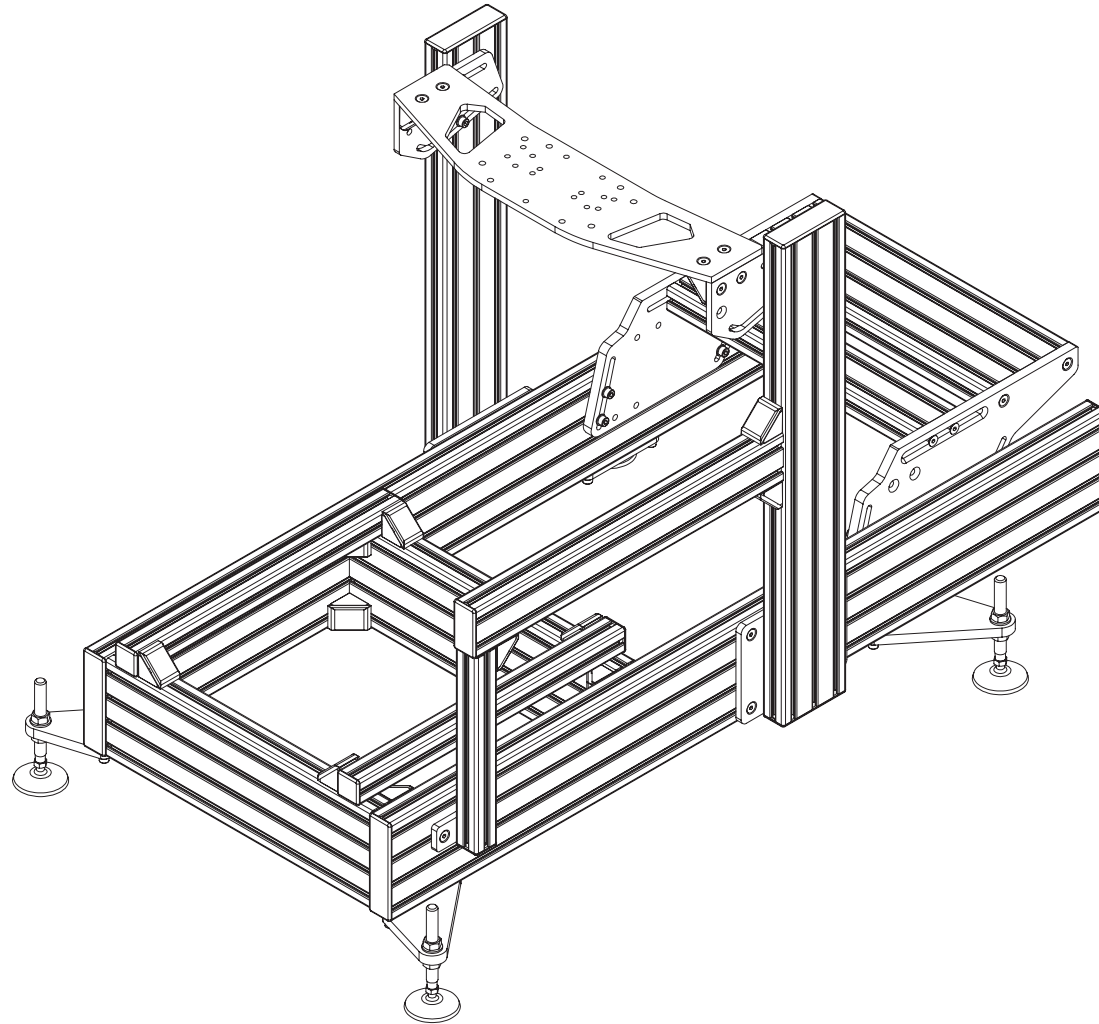


# **SIM LAB**

## INSTRUCTION MANUAL



**P1-X**  
**VERSION 2.3**  
Last updated: 06-01-2023

# BEFORE YOU START:

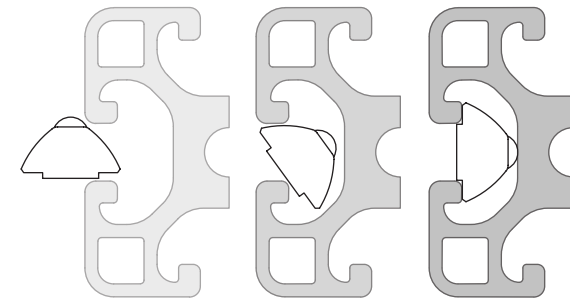
Thank you for purchasing this Sim-Lab product! On the following pages, you will find detailed instructions on assembly. This requires only a set of simple tools and some of your time. Please check the bill of materials before starting (pages 26/27) and make sure all the parts are delivered.

Note:

Depending on your date of purchase, you may or may not have received a large bag of additional washers. If this is the case, use one on every M8 bolt to install brackets. This was a temporary solution and will be phased out as soon as possible and therefore is omitted from this instruction manual.


## Inserting Slot-Nuts:

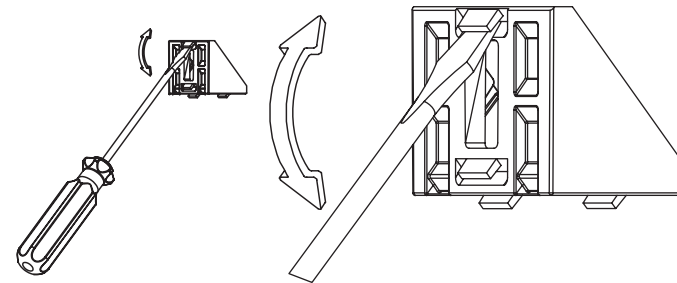
You got excited, finished the build, put the caps on, but forgot to install one element. Do not worry. It happens to everyone. In this diagram, you can see how to insert a Slot-Nut directly into the slot from the side. You can also use one of your smaller Hex wrenches to help wiggle the Slot-Nut in place.



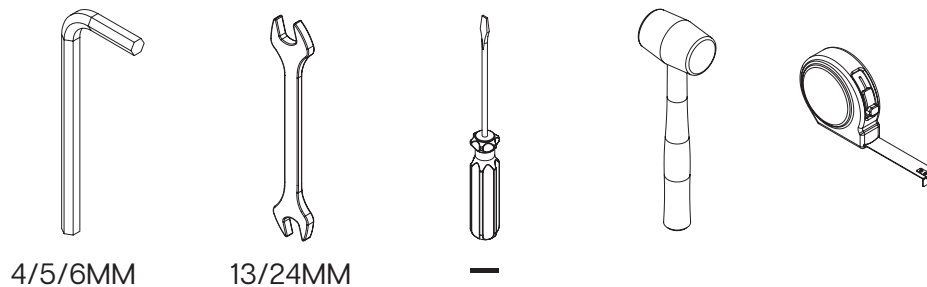
## Breaking tabs:

Sometimes tabs from corner brackets need to be broken off in order to fit as instructed. Place a flathead screwdriver behind the tab and tilt upwards.

Always make sure to point away from you while doing so. To know when to do this, we will show the following symbol  next to the brackets.



## Tools needed:



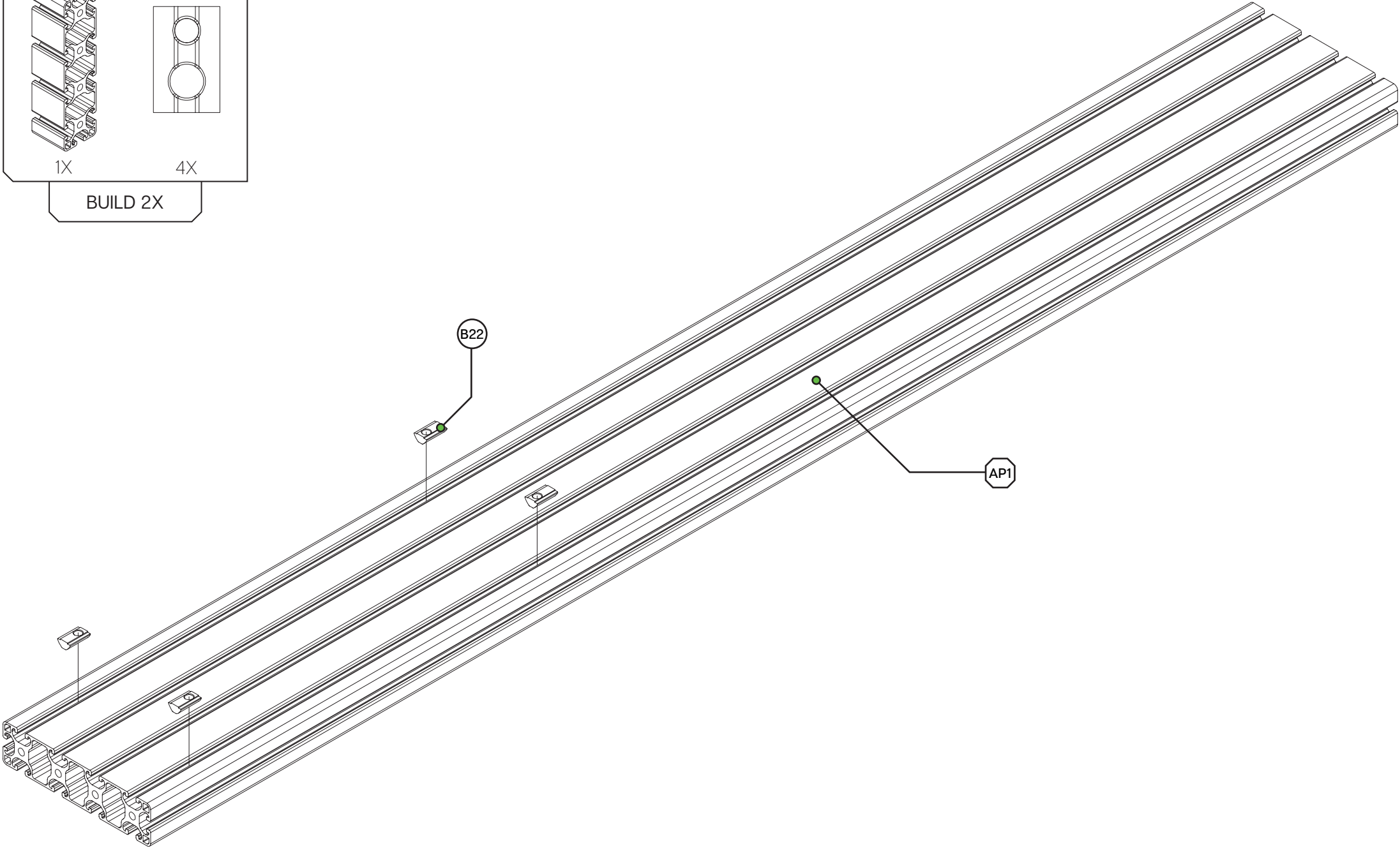
1350MM

Slot-Nut M8

1X

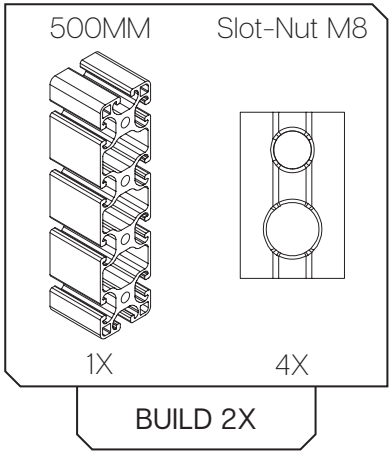
4X

BUILD 2X



500MM

Slot-Nut M8

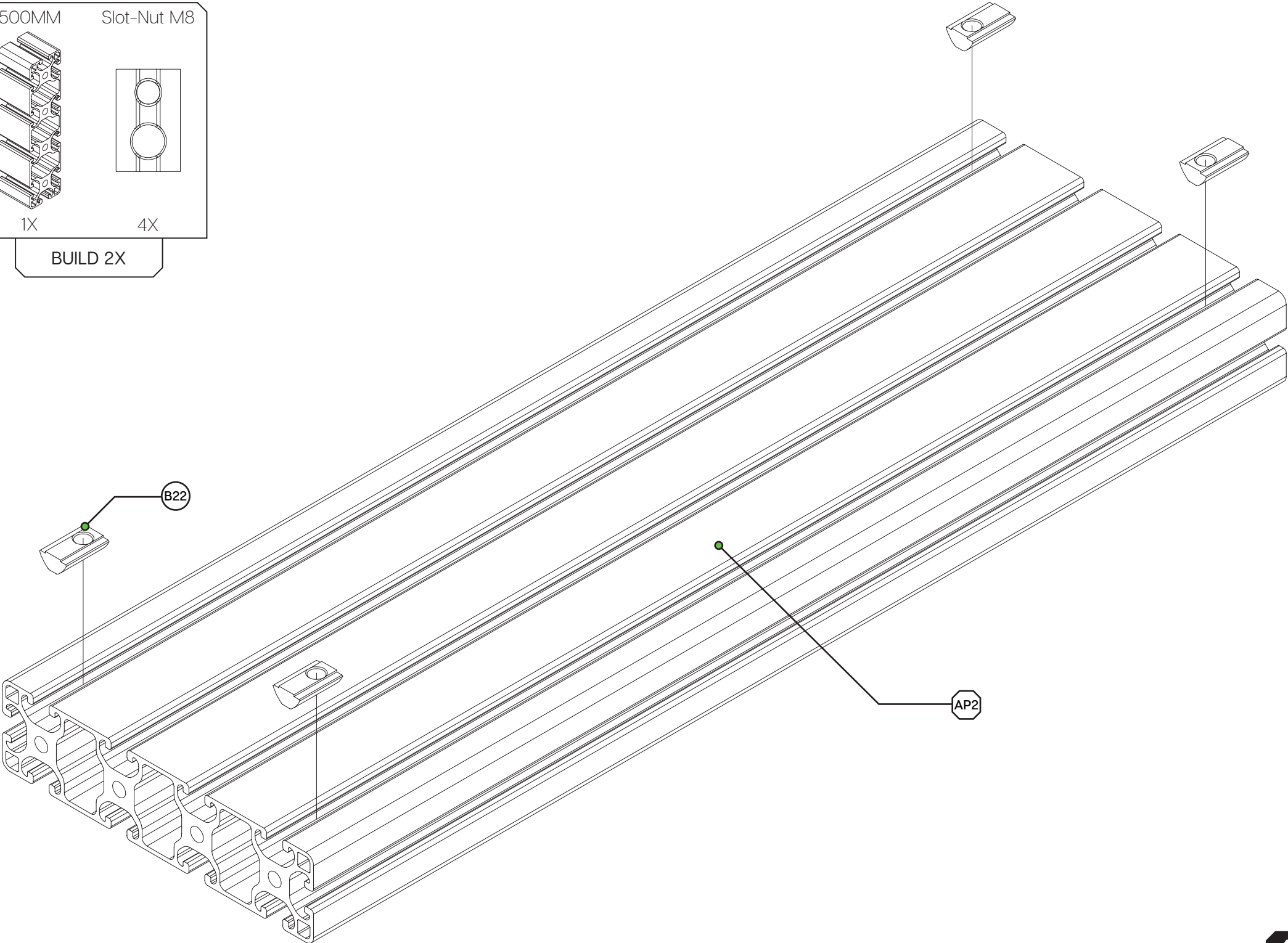


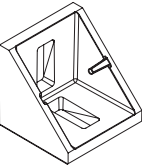
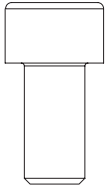
1X

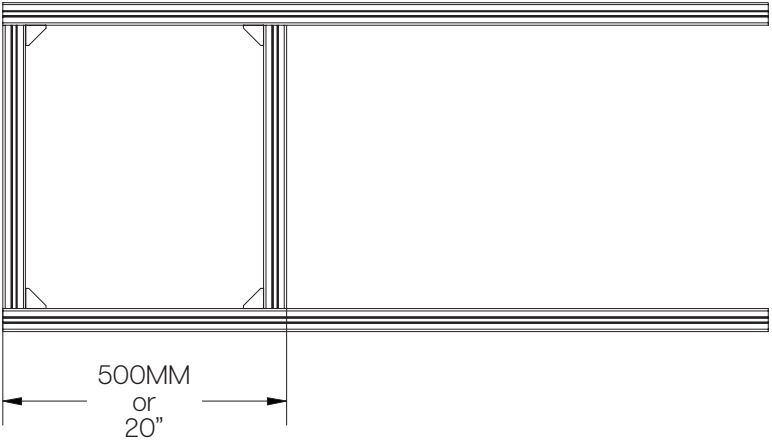
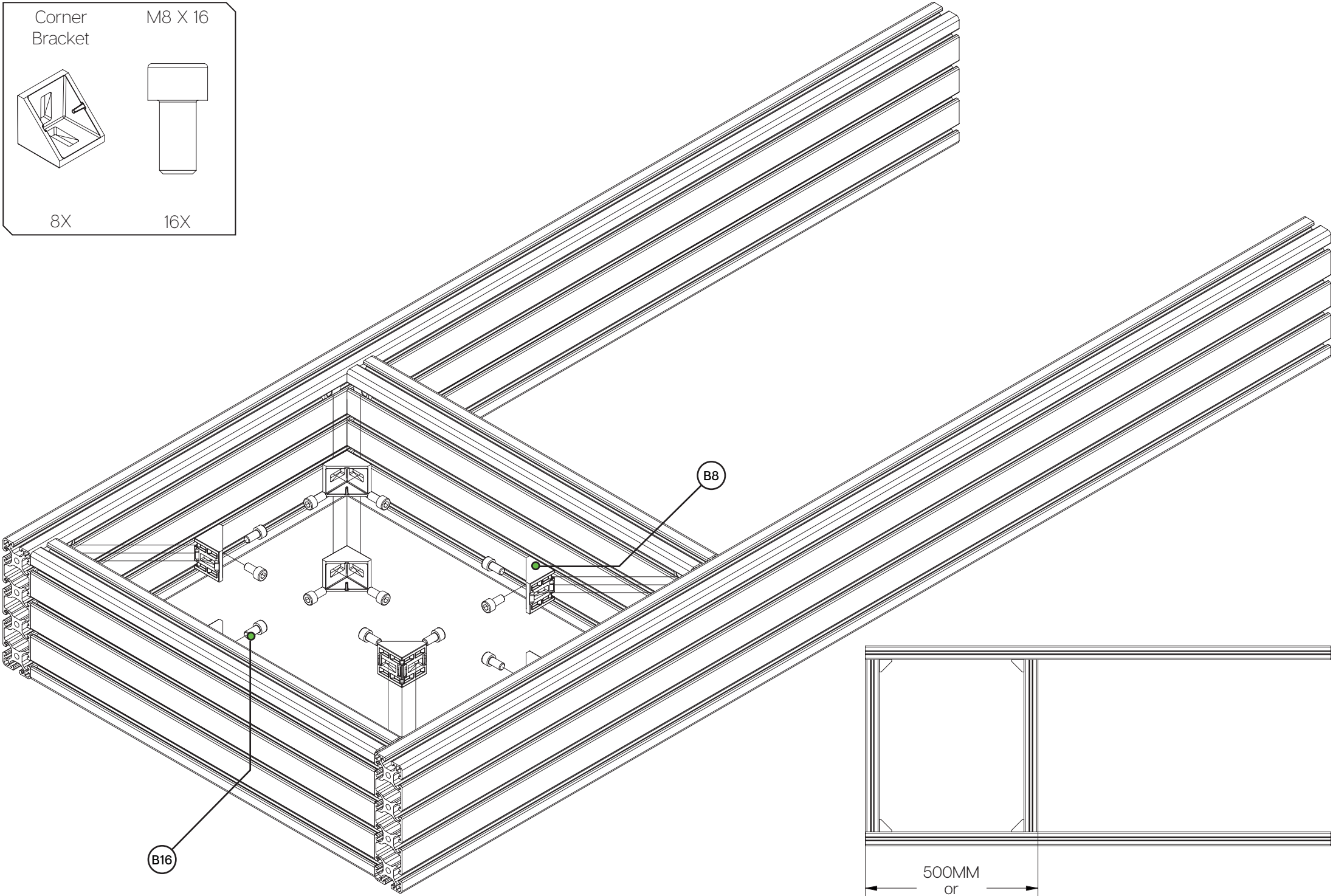
4X

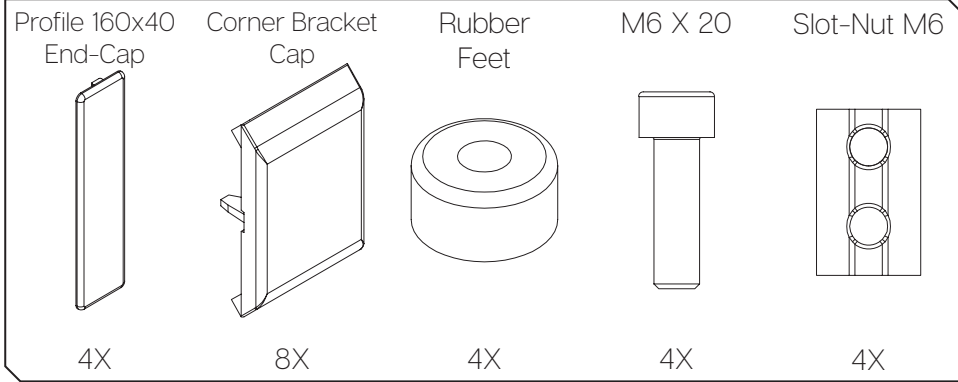
BUILD 2X

Detailed description: This inset box contains technical drawings. On the left, a 500mm long slot-nut is shown in a perspective view, labeled '1X'. On the right, a slot-nut with two circular holes is shown in a top-down view, labeled '4X'. Below these drawings, the text 'BUILD 2X' is centered.



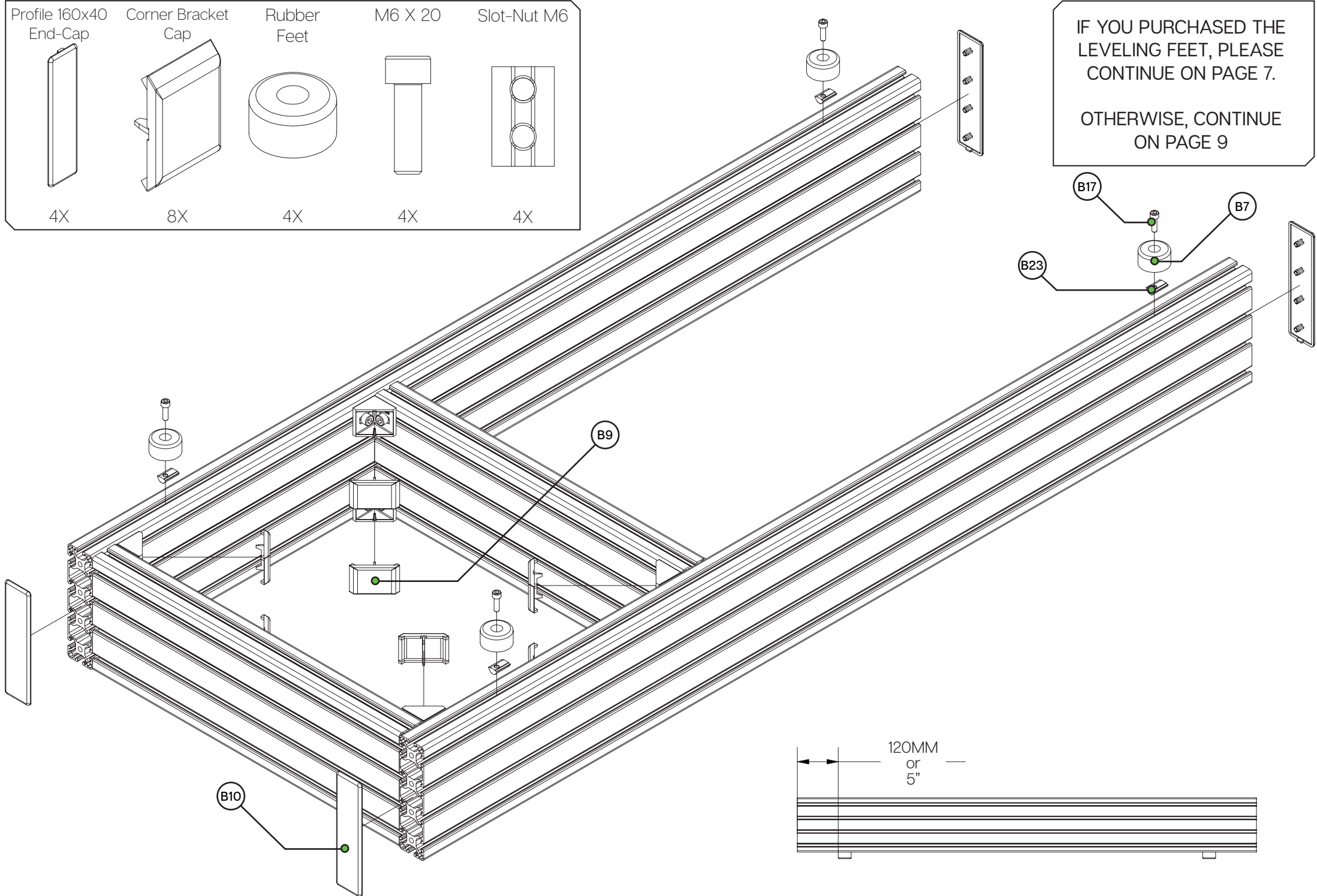
Corner Bracket	M8 X 16
	
8X	16X

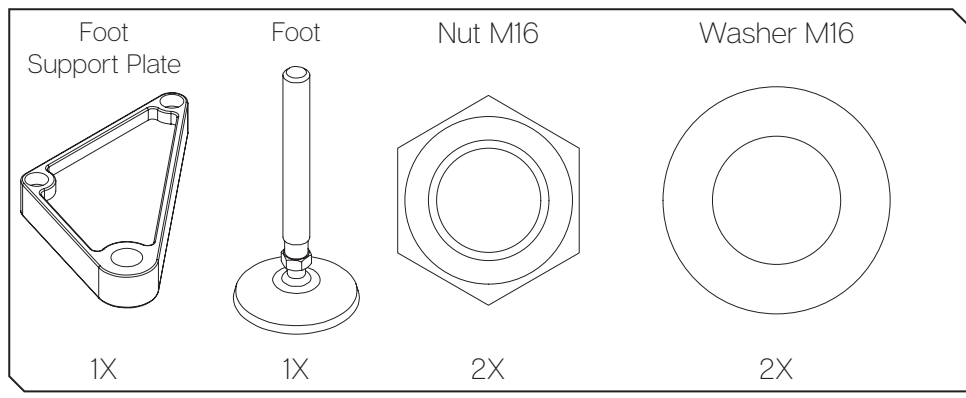




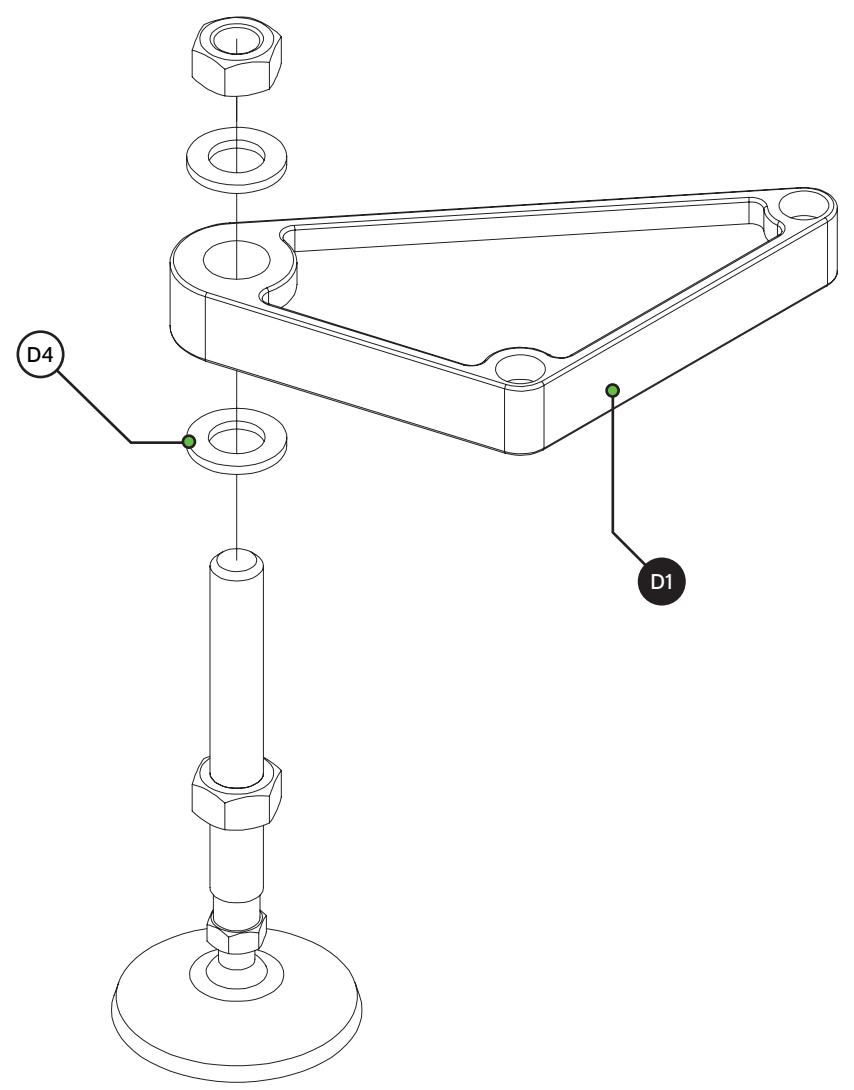
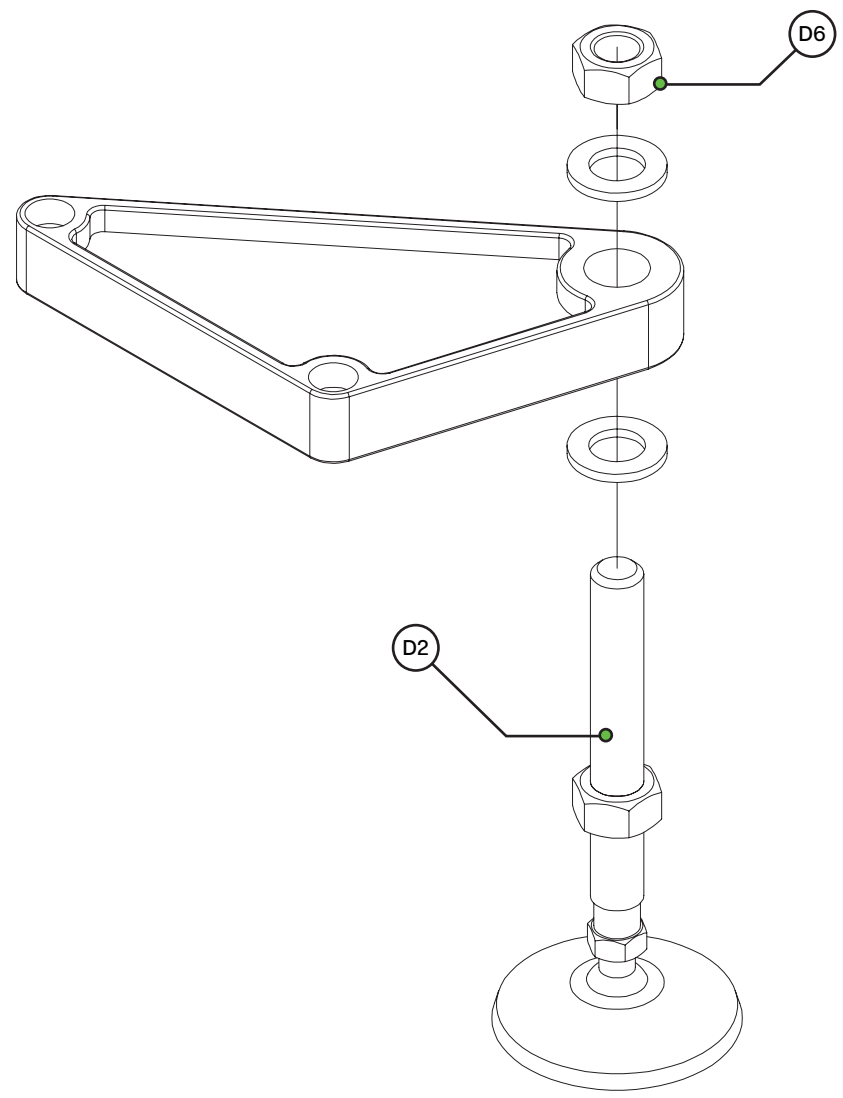
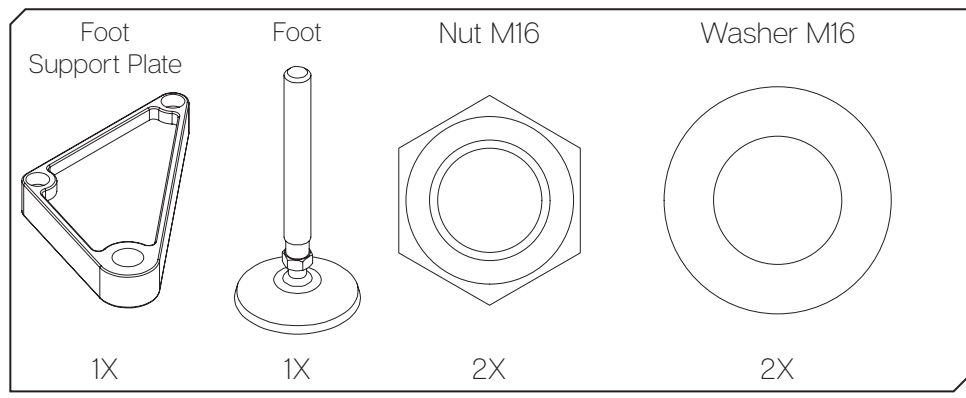
IF YOU PURCHASED THE  
LEVELING FEET, PLEASE  
CONTINUE ON PAGE 7.


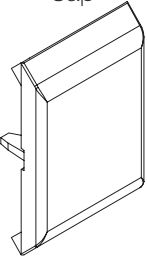
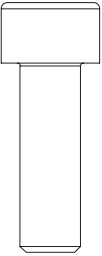
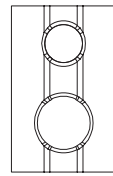
OTHERWISE, CONTINUE  
ON PAGE 9

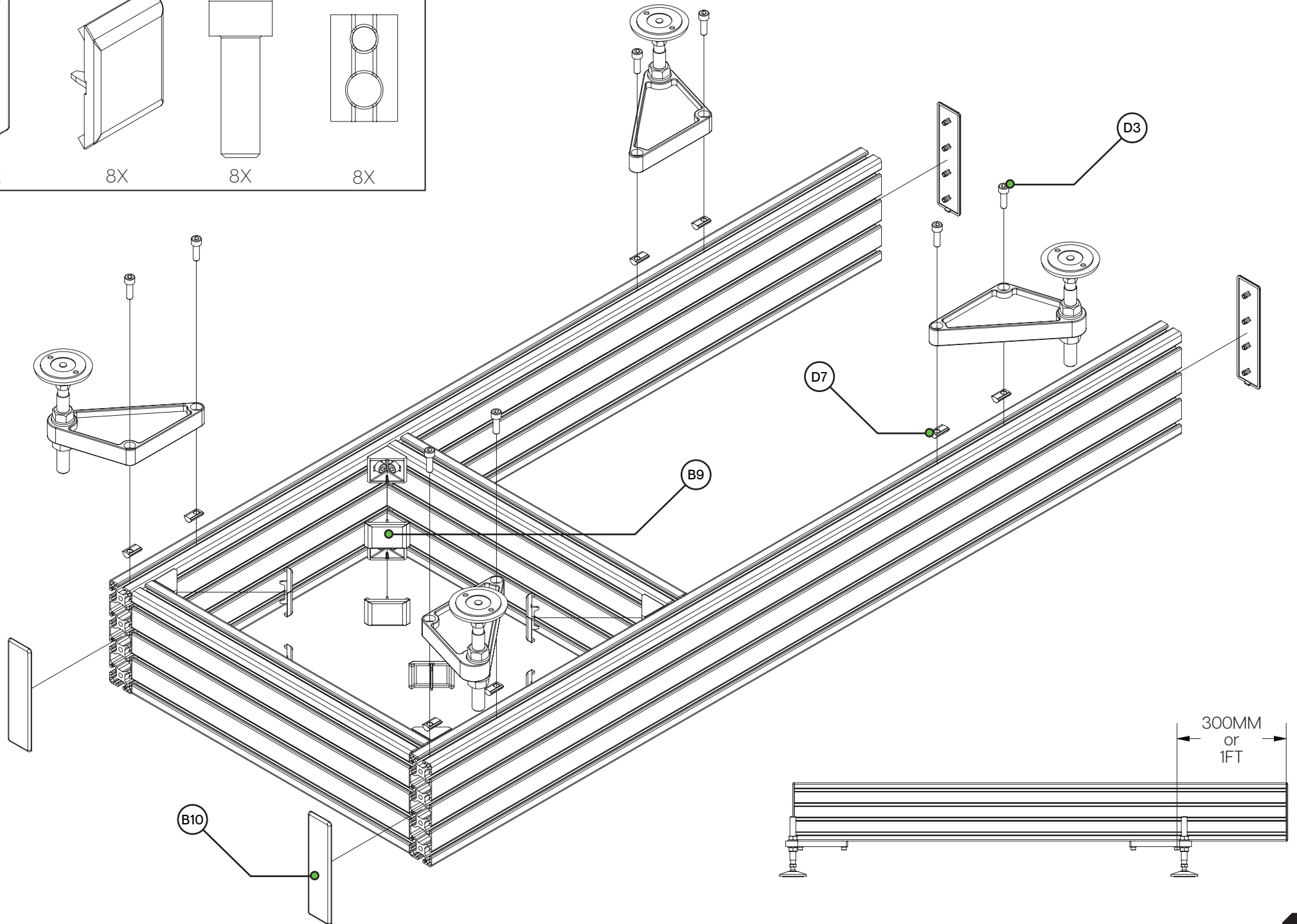




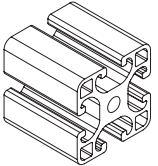
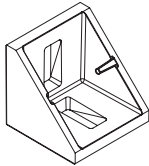
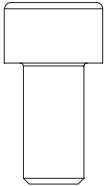
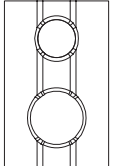
BUILD BOTH VERSIONS 2X

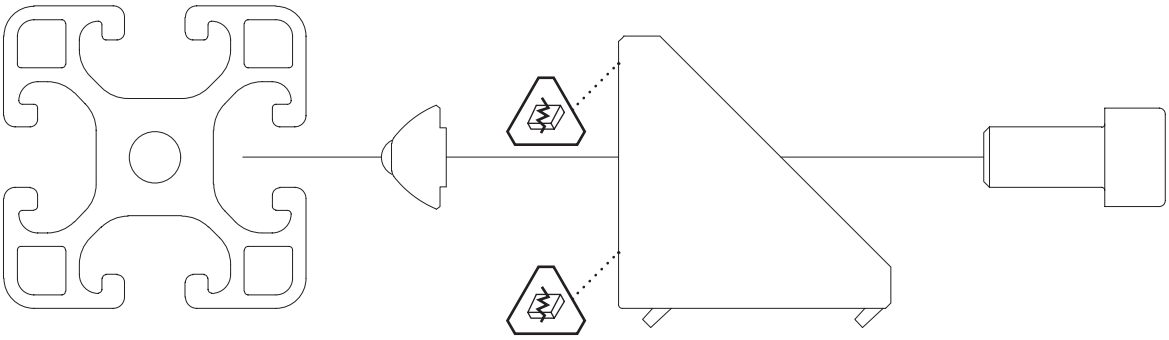
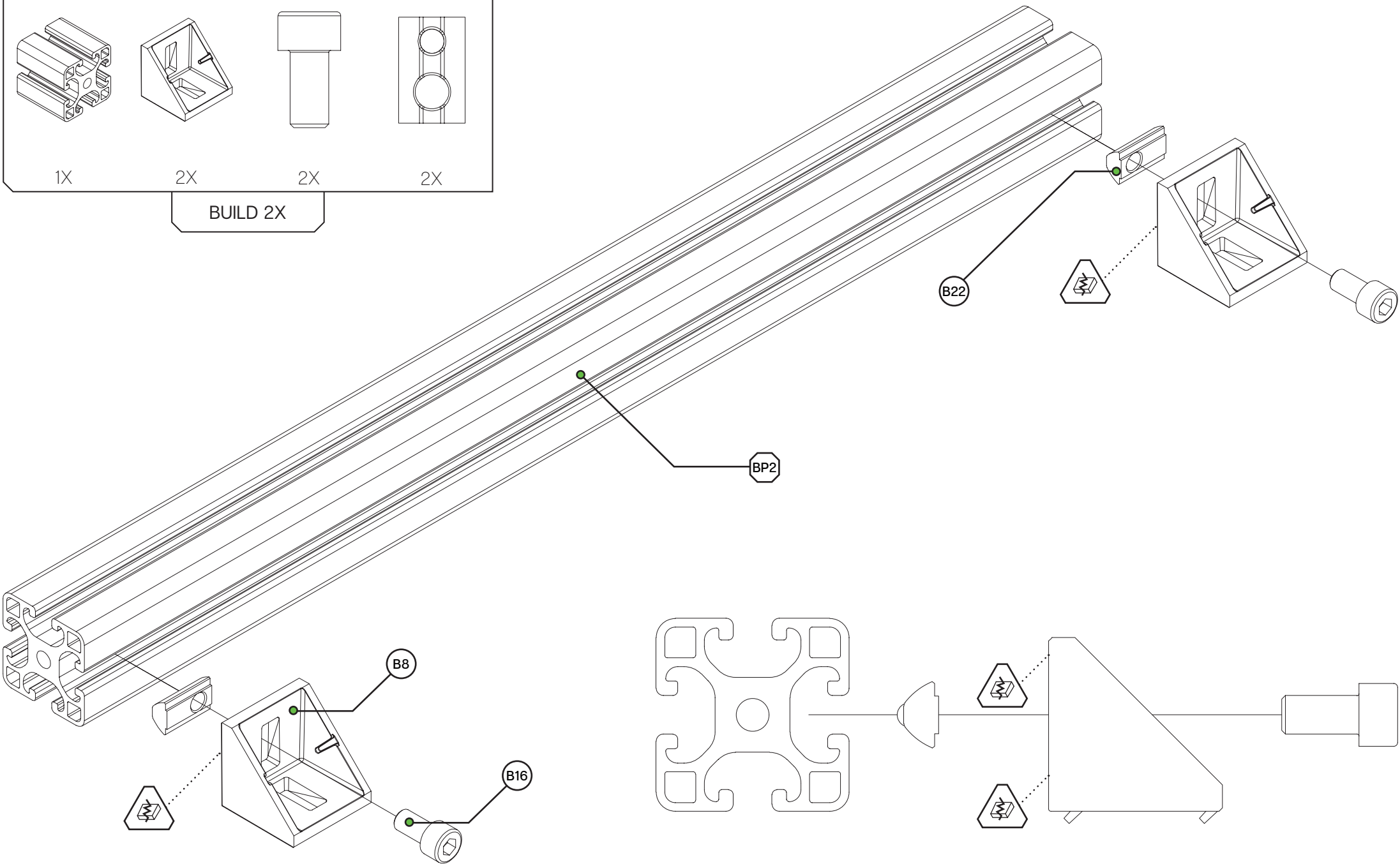


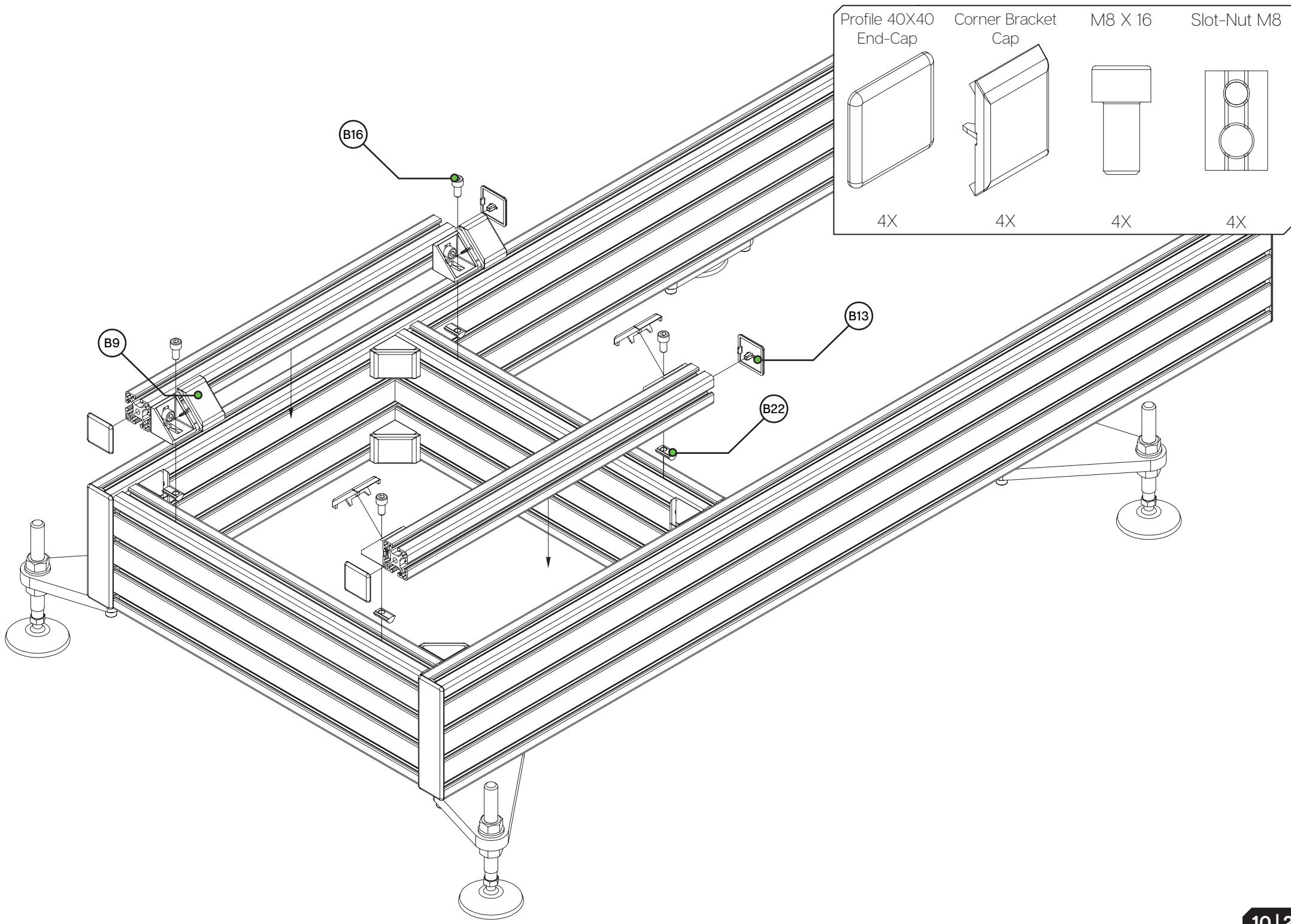
Profile 160x40 End-Cap	Corner Bracket Cap	M8 X 25 (D3)	Slot-Nut M8 (D7)
			
4X	8X	8X	8X

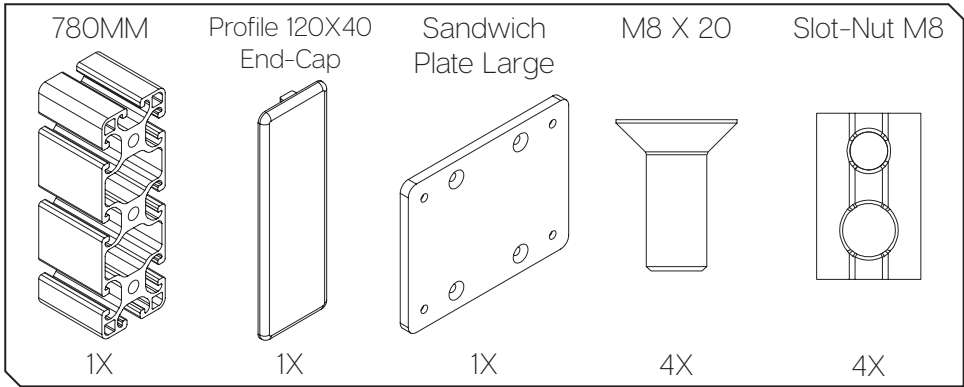




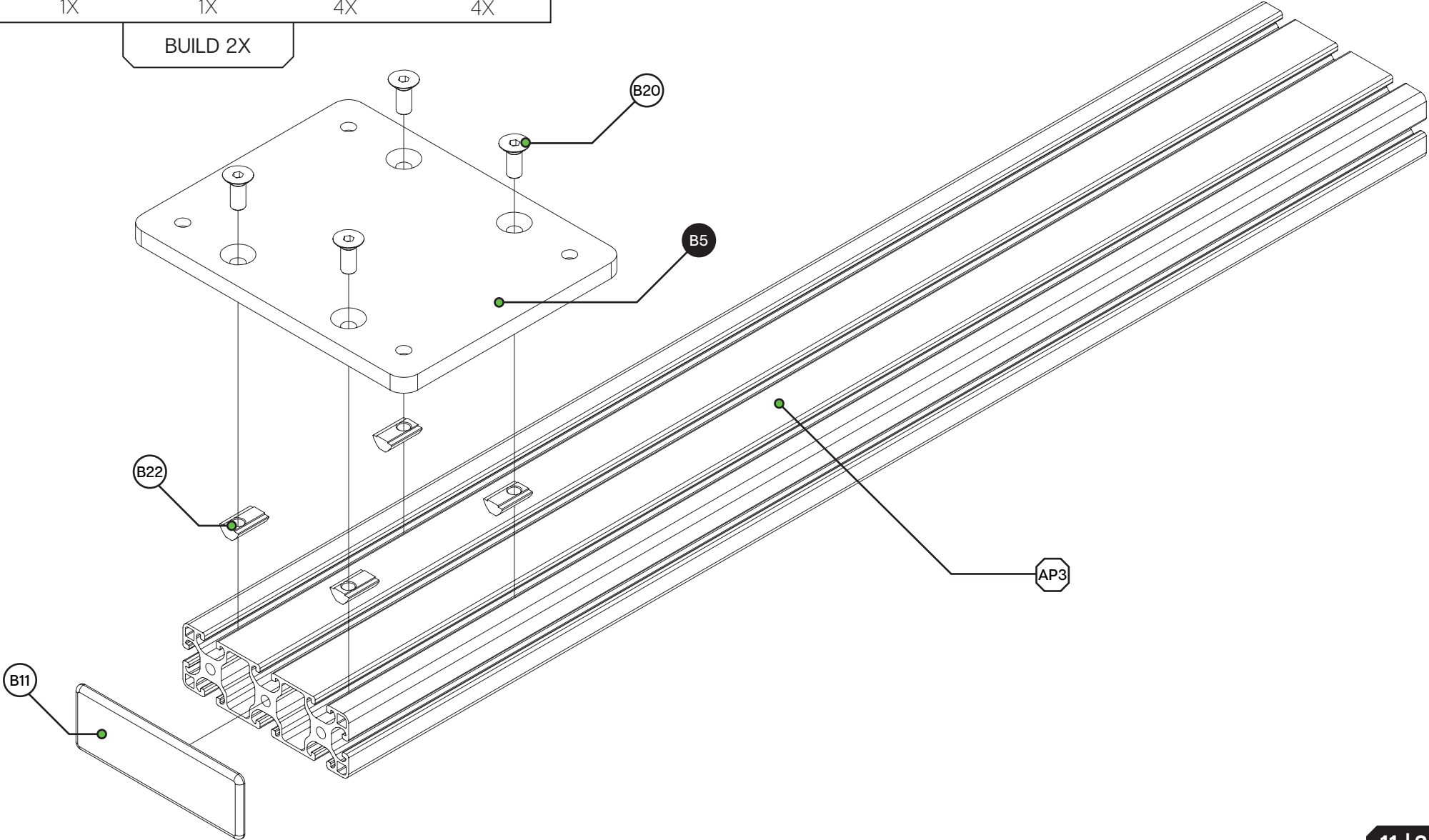
500MM	Corner Bracket*	M8 X 16	Slot-Nut M8
			
1X	2X	2X	2X
BUILD 2X			

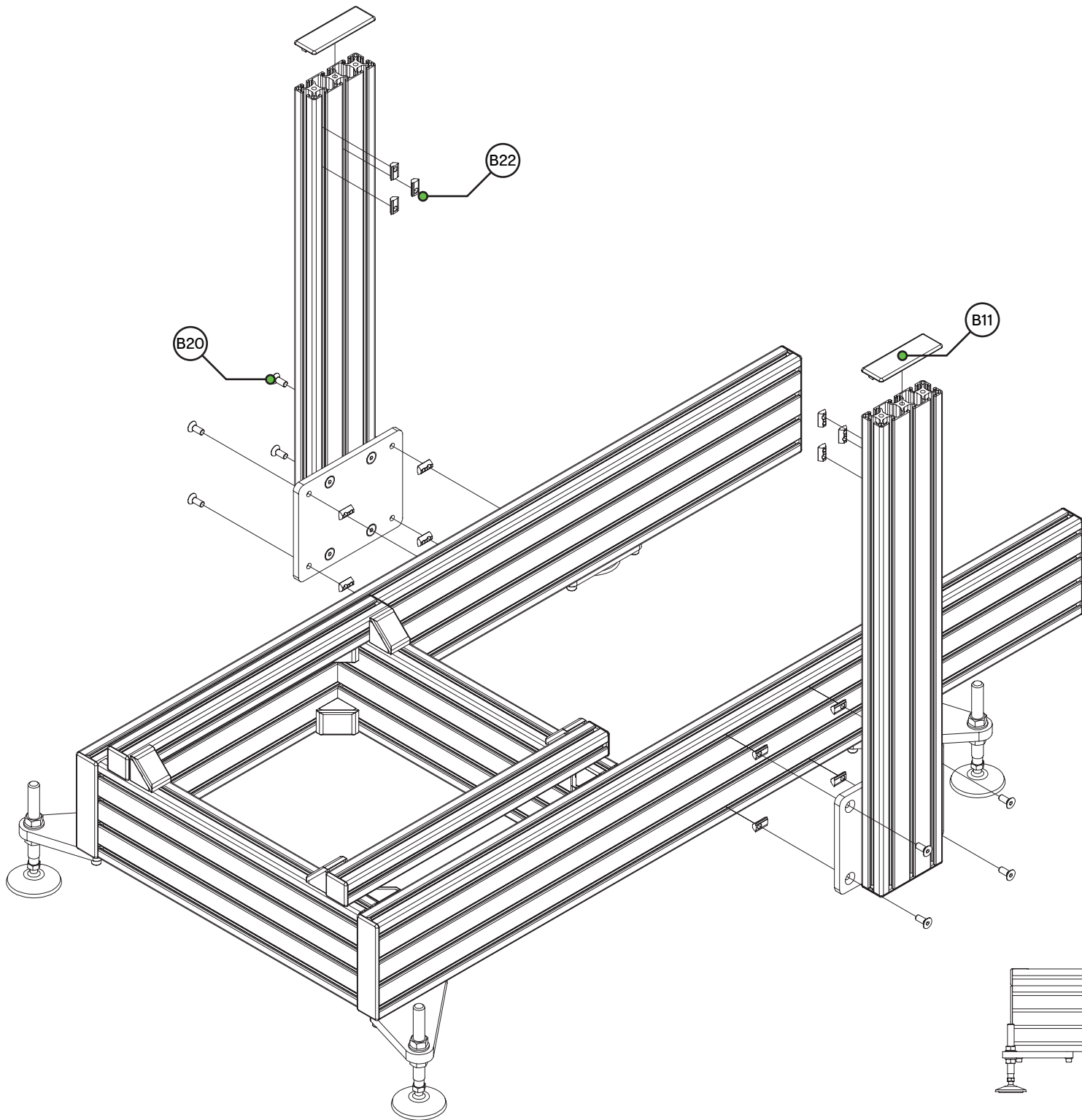


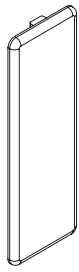
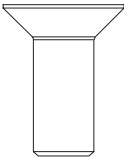
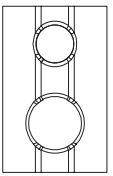


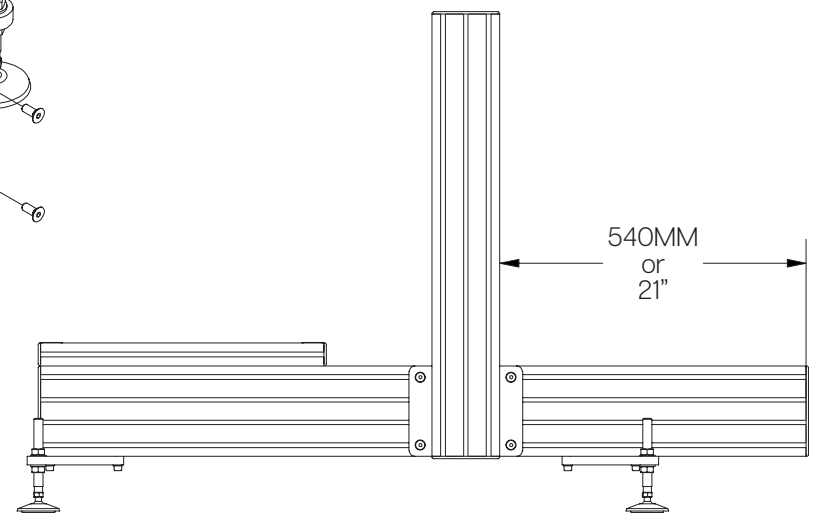


BUILD 2X

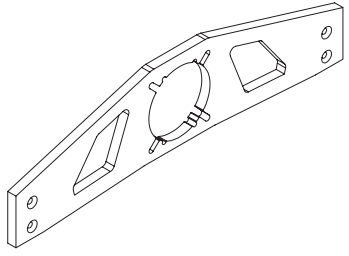




Profile 120X40 End-Cap	M8 X 20	Slot-Nut M8
		
2X	8X	14X

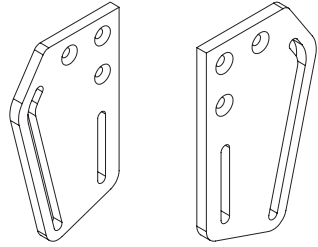


Front Mount

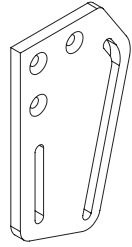


1X

Front Mount Side Plate Left Side Plate Right

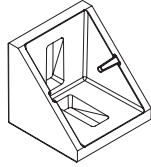


1X



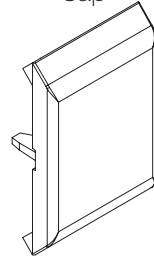
1X

Corner Bracket\*\*



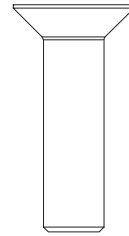
4X

Corner Bracket Cap



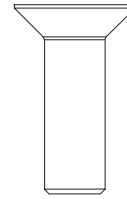
4X

M8 X 30 (F9)



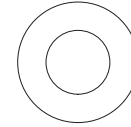
4X

M8 X 25 (F10)



4X

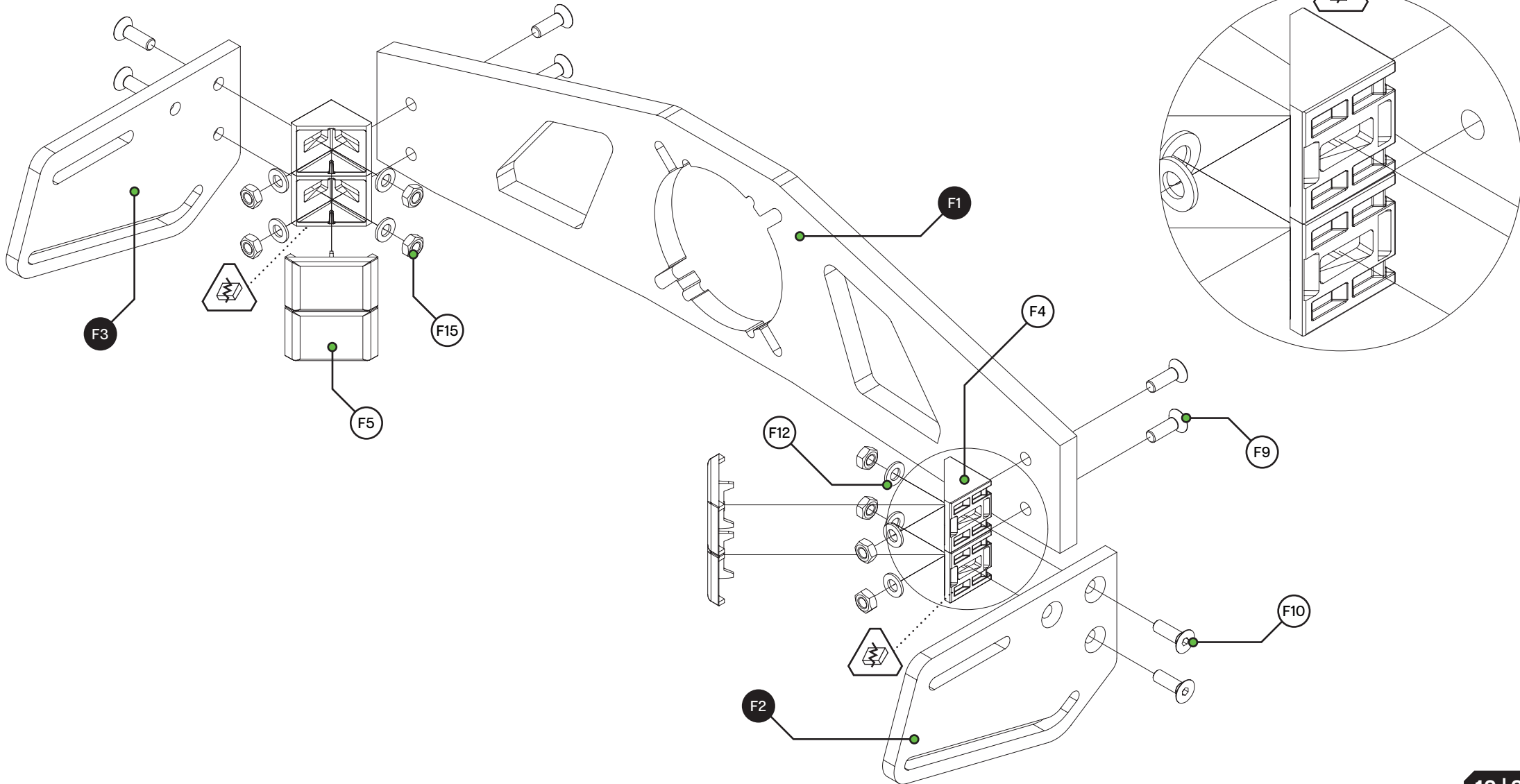
Washer M8 (F12)



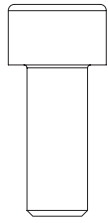
8X

IF YOU PURCHASED THE WHEEL DECK, CONTINUE ON PAGE 15

IF YOU PURCHASED THE SIDE MOUNT, CONTINUE ON PAGE 17

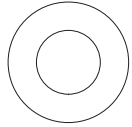


M8 X 20  
(F7)



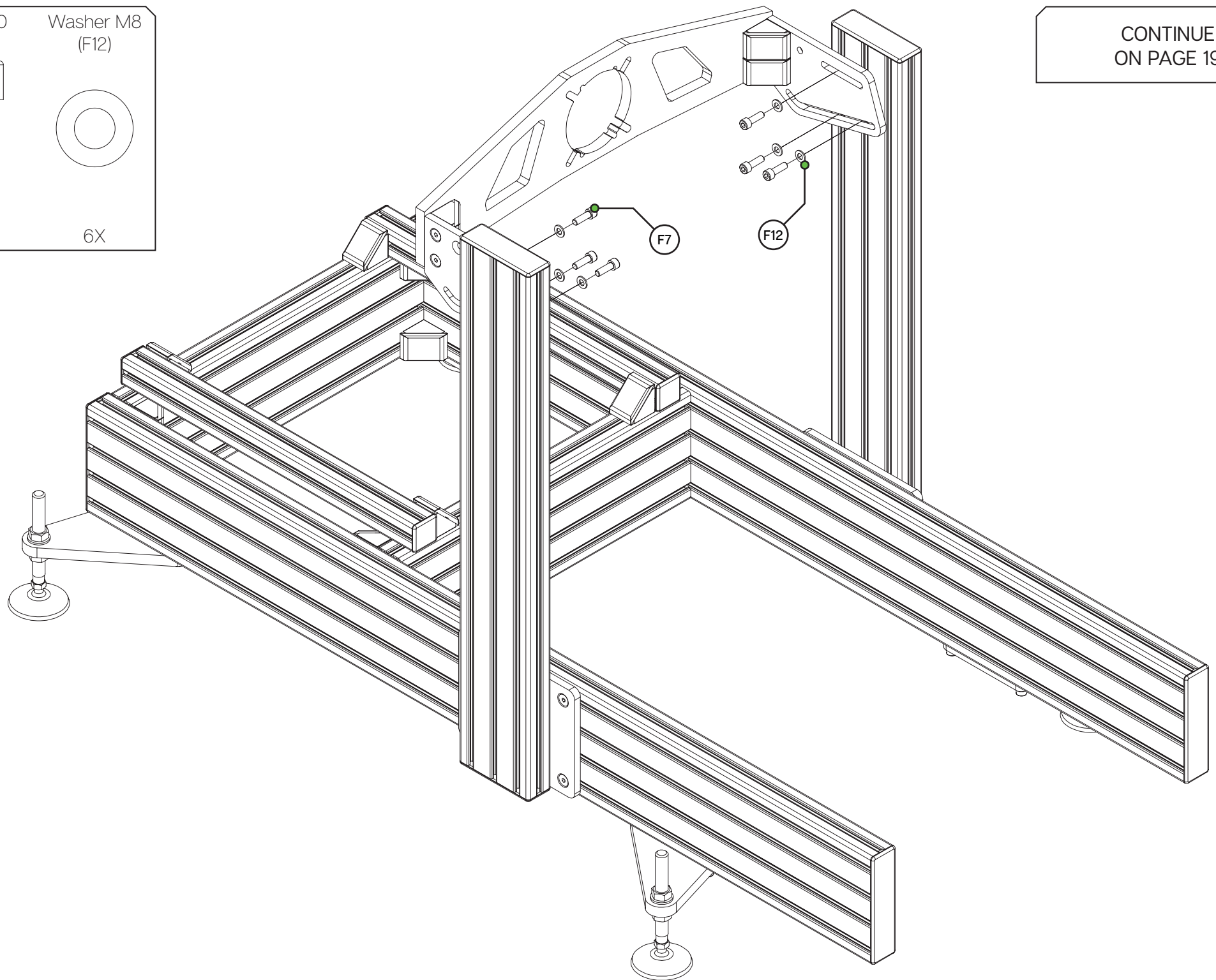
6X

Washer M8  
(F12)

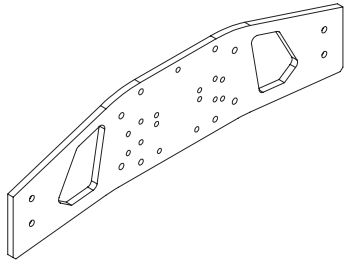


6X

CONTINUE  
ON PAGE 19

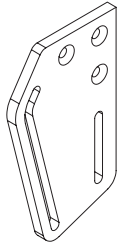


Wheel Deck

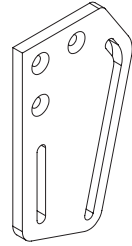


1X

Wheel Deck Side Plate Left Side Plate Right

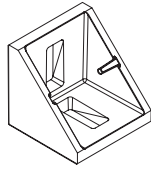


1X



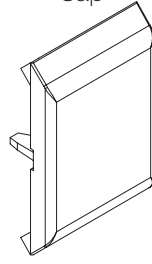
1X

Corner Bracket\*\*



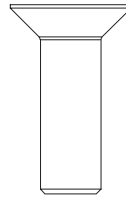
4X

Corner Bracket Cap



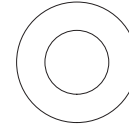
4X

M8 X 25 (W8)



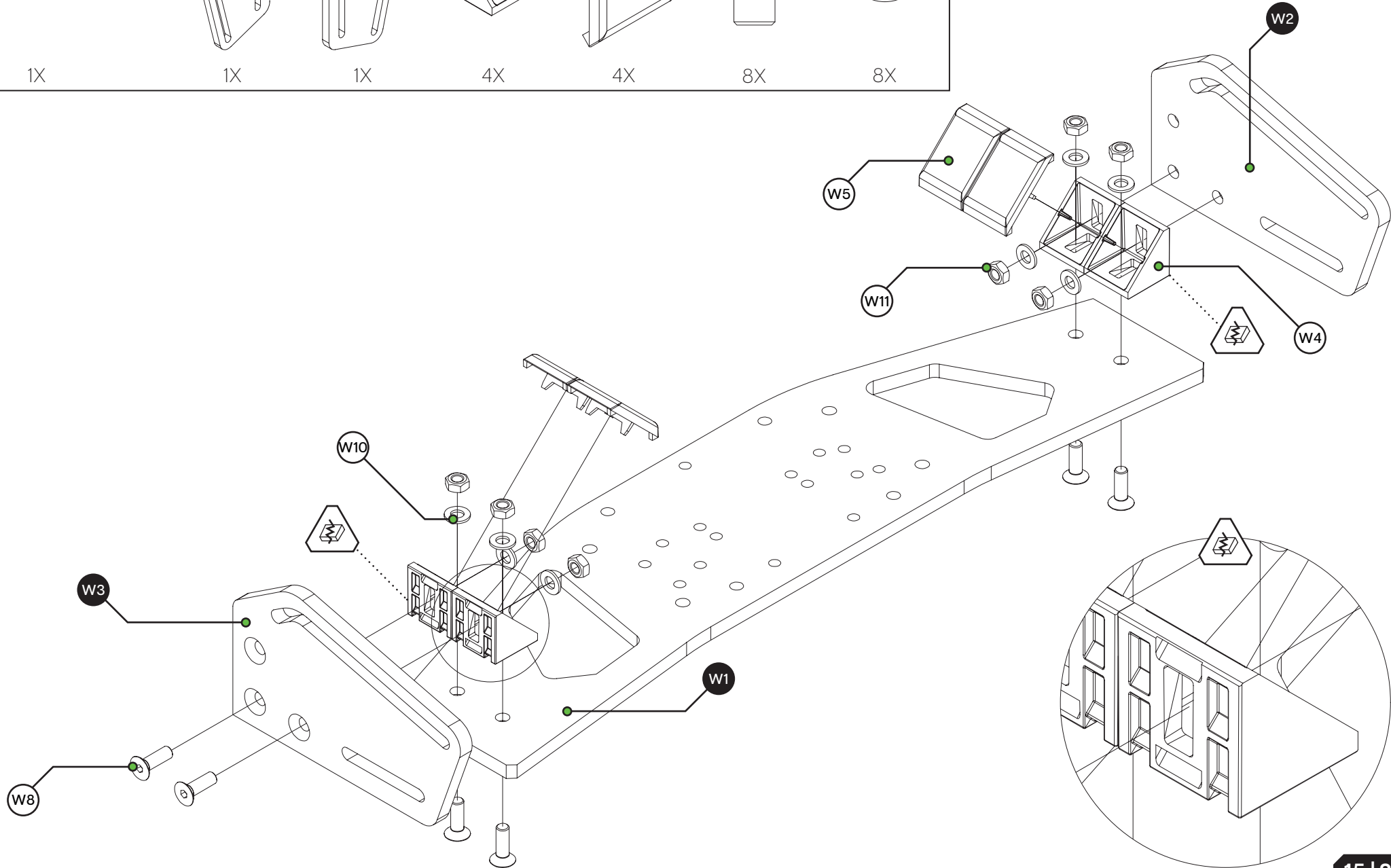
8X

Washer M8 (W10)

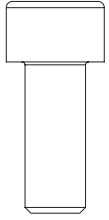


8X

IF YOU PURCHASED THE SIDE MOUNT, CONTINUE ON PAGE 17

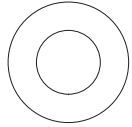


M8 X 20  
(W6)



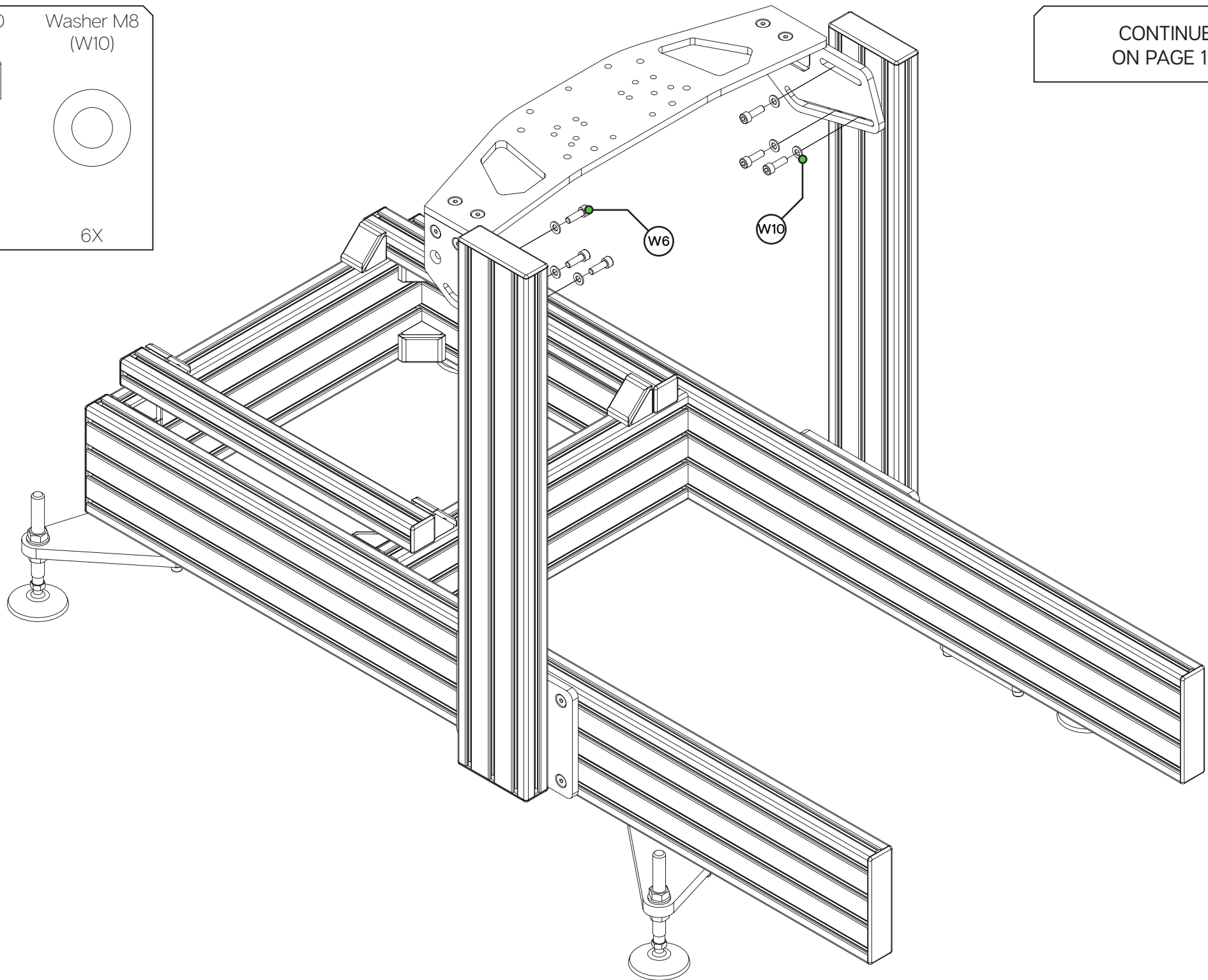
6X

Washer M8  
(W10)

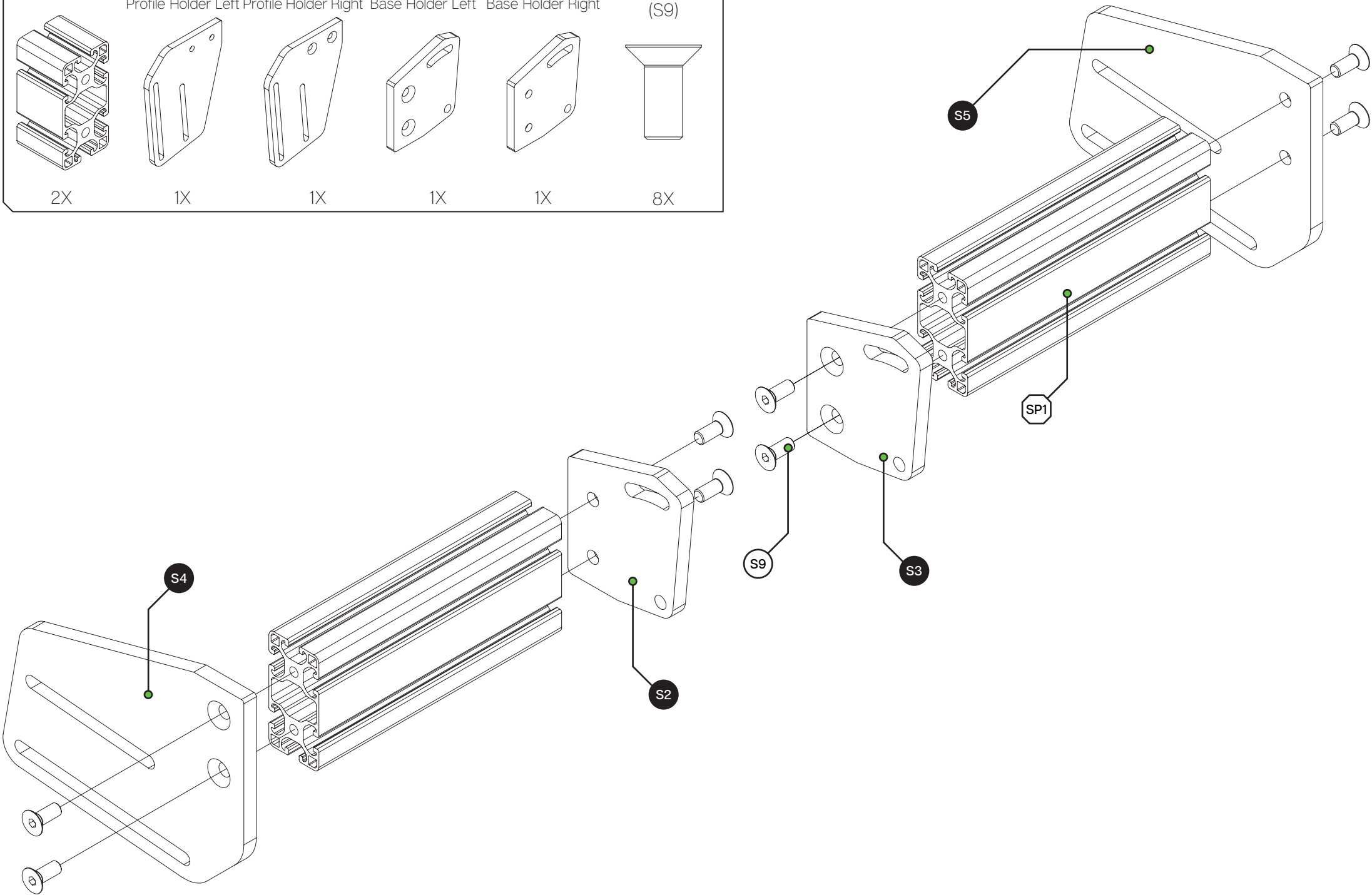
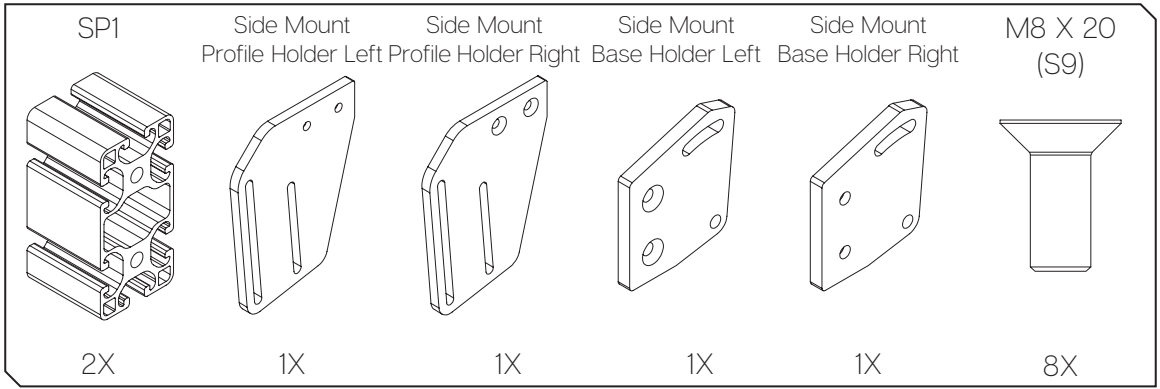


6X

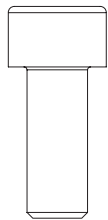
CONTINUE  
ON PAGE 19





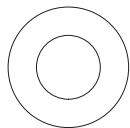


M8 X 20  
(S6)

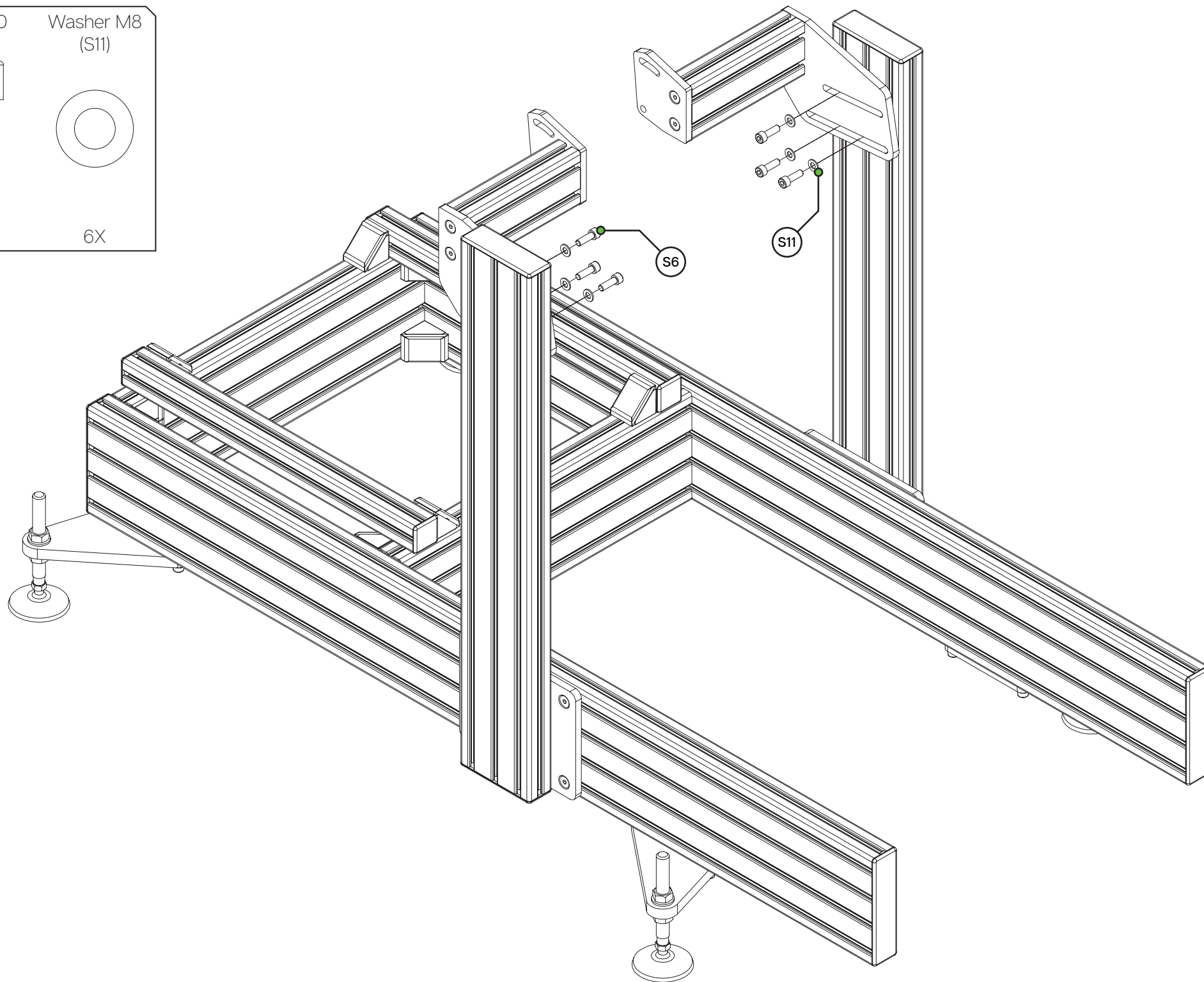


6X

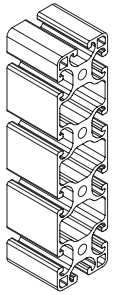
Washer M8  
(S11)



6X

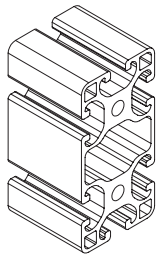


470MM



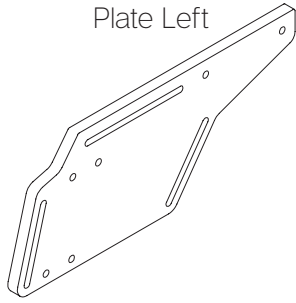
1X

470MM



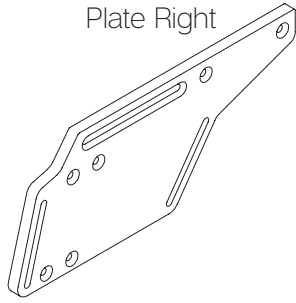
1X

P1-X Pedal  
Plate Left



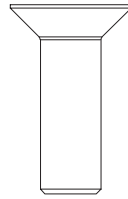
1X

P1-X Pedal  
Plate Right

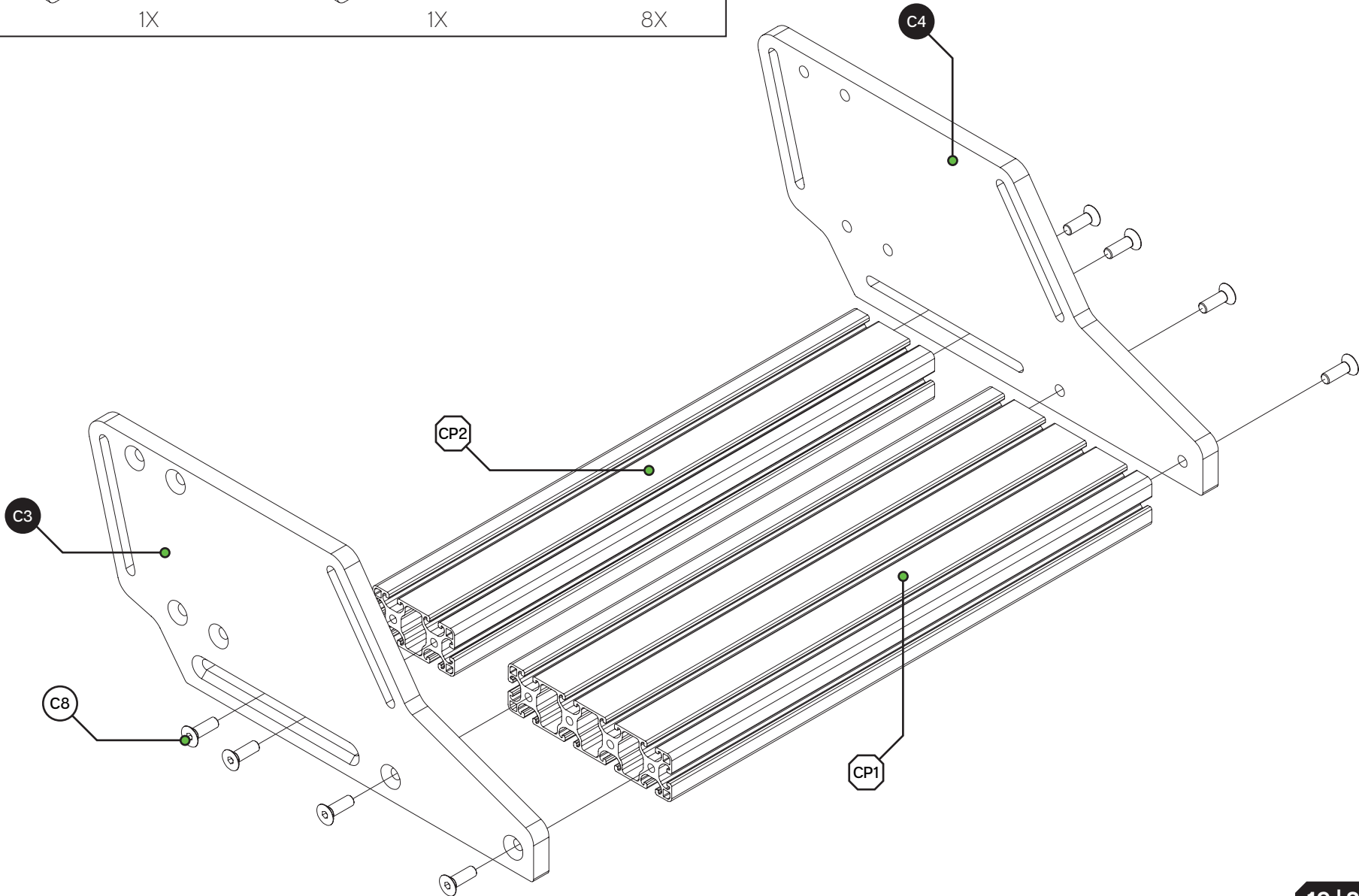


1X

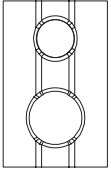
M8 X 25



8X

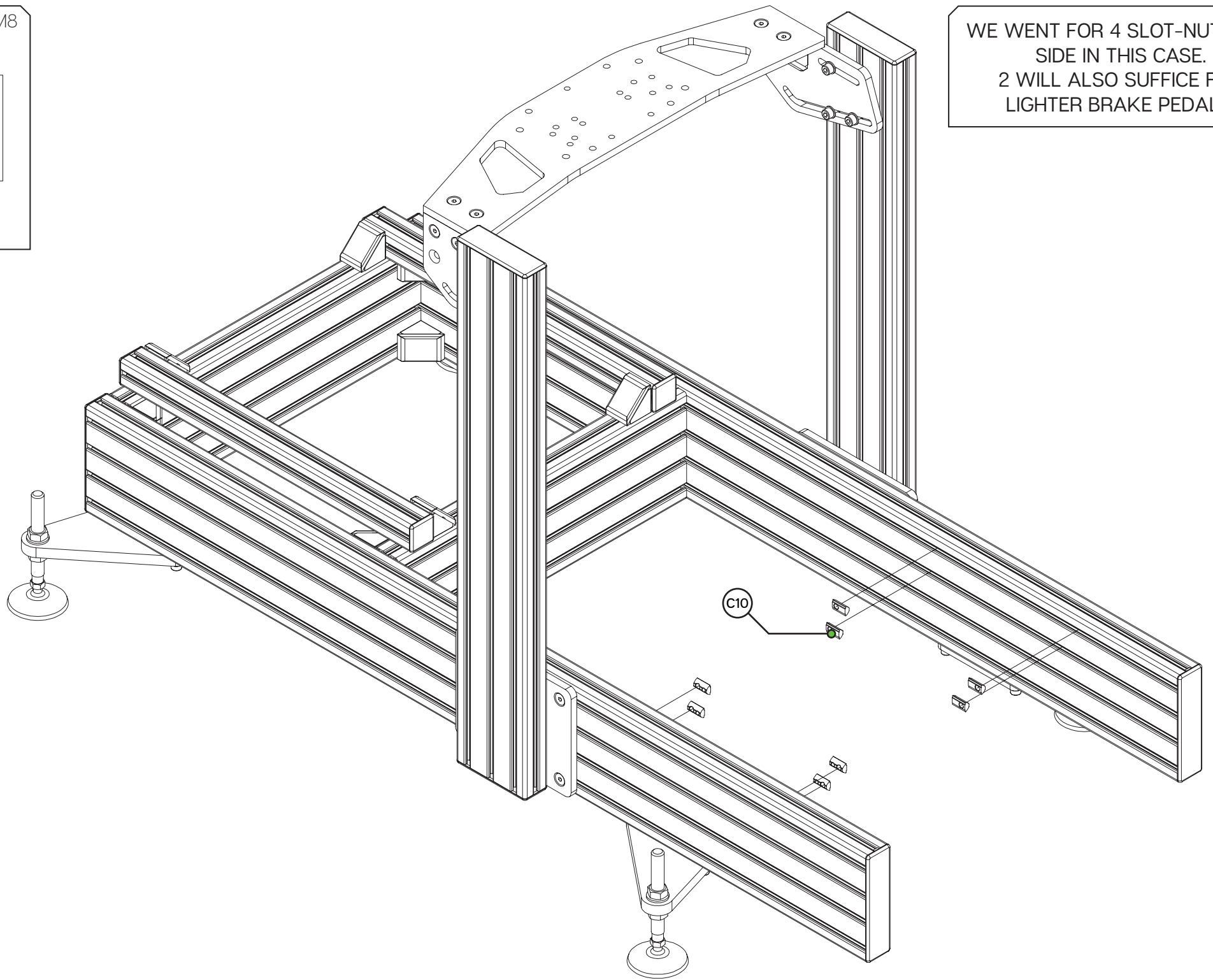


Slot-Nut M8



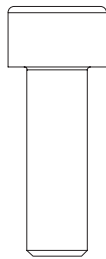
4/8X

WE WENT FOR 4 SLOT-NUTS PER SIDE IN THIS CASE. 2 WILL ALSO SUFFICE FOR LIGHTER BRAKE PEDALS.

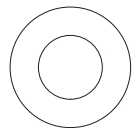


M8 X 25

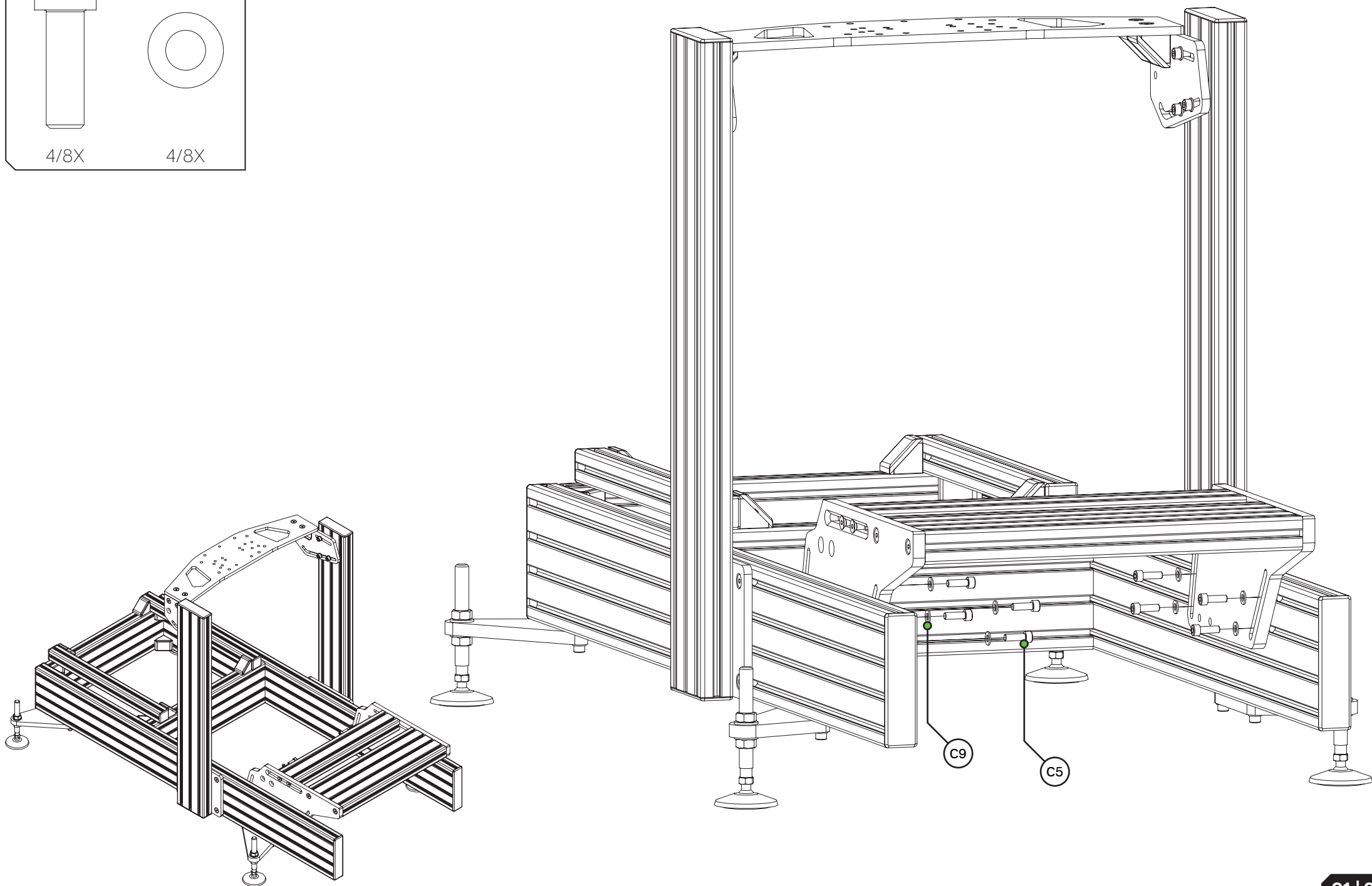
Washer M8

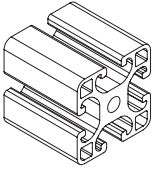
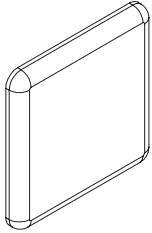
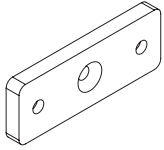
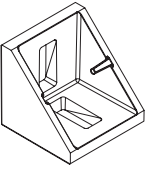
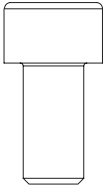
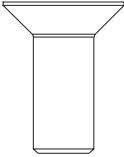
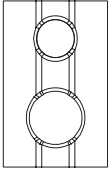


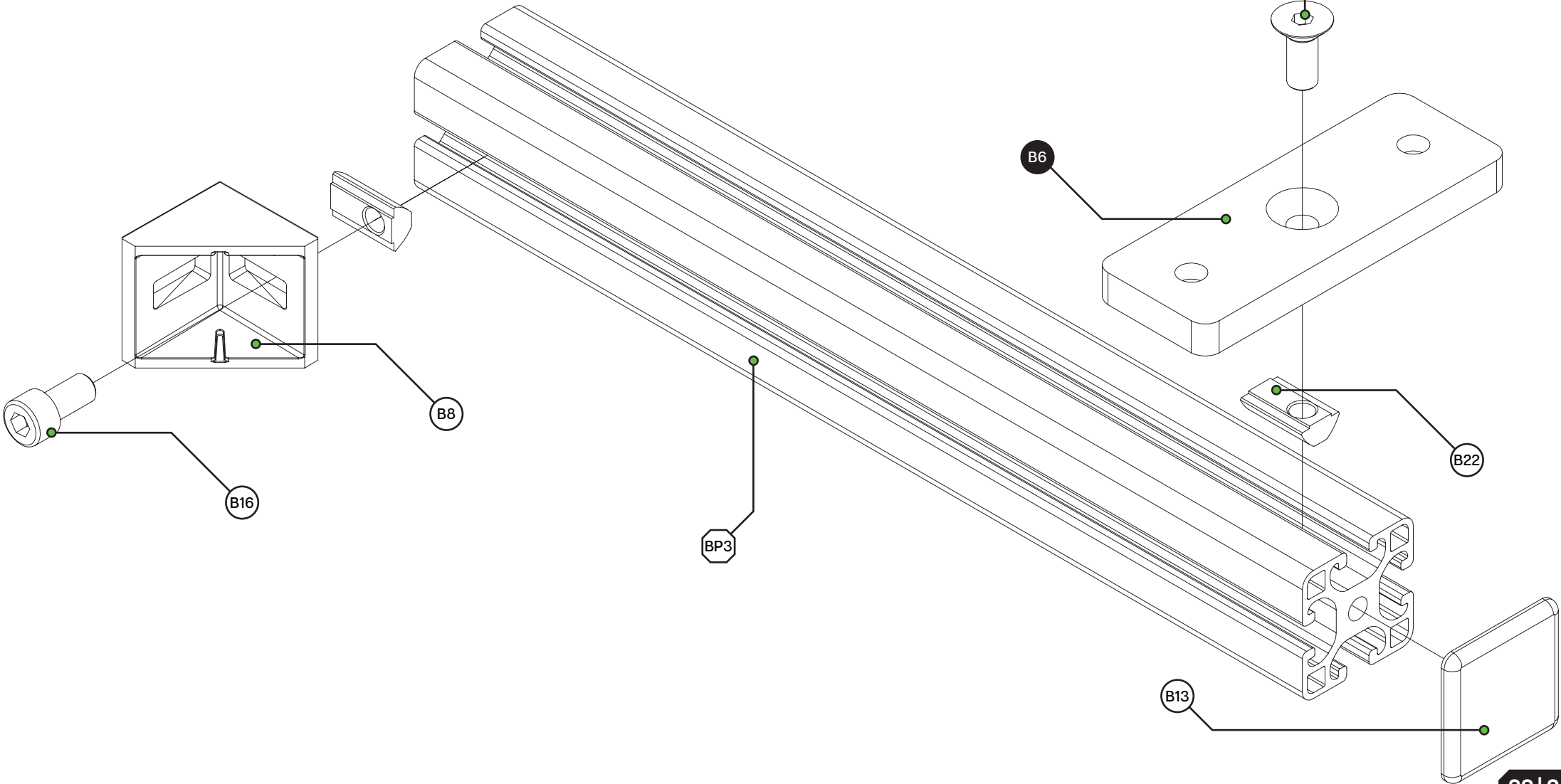
4/8X

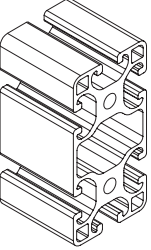
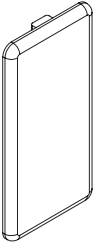
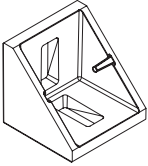
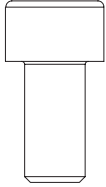
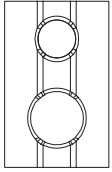


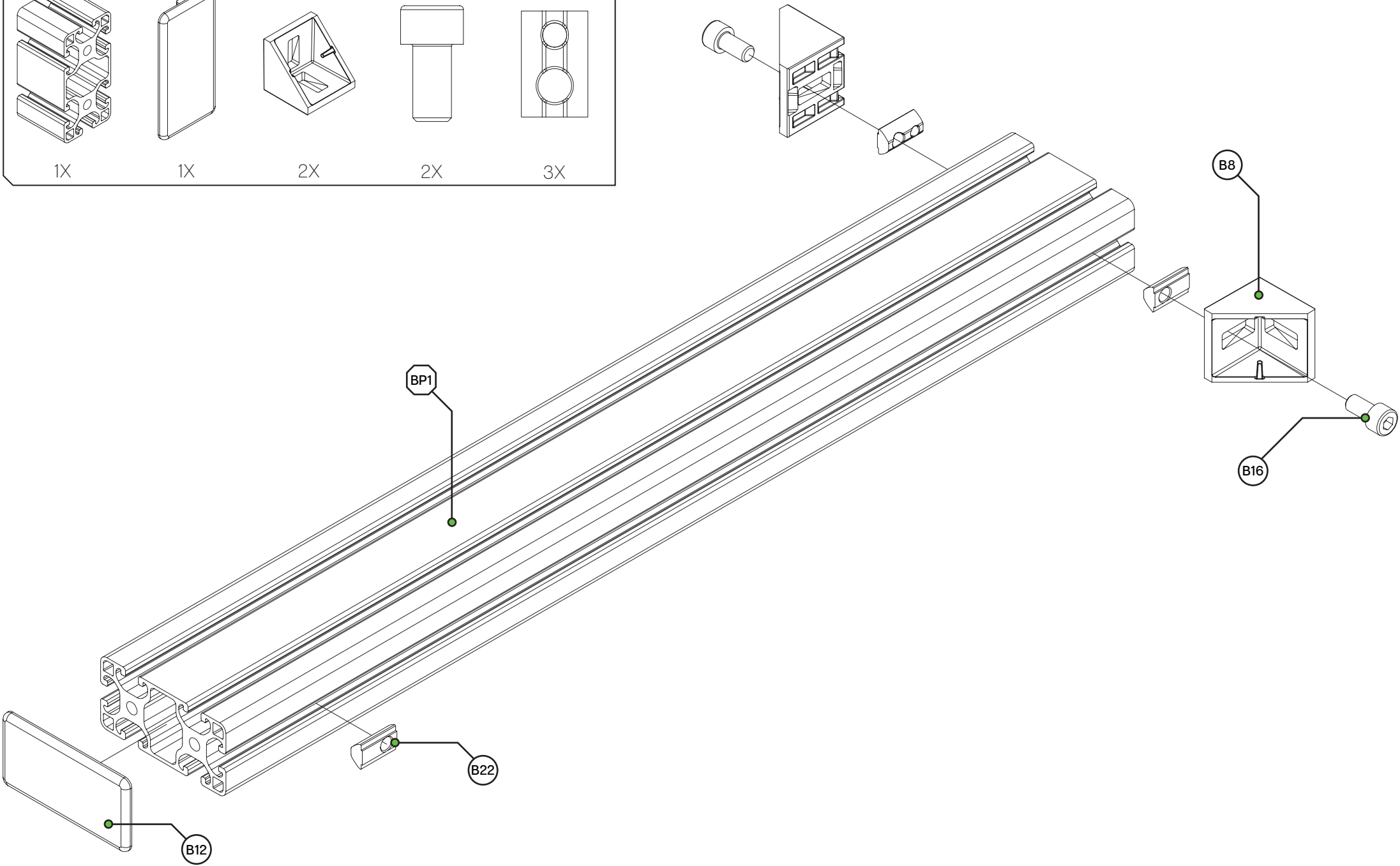
4/8X

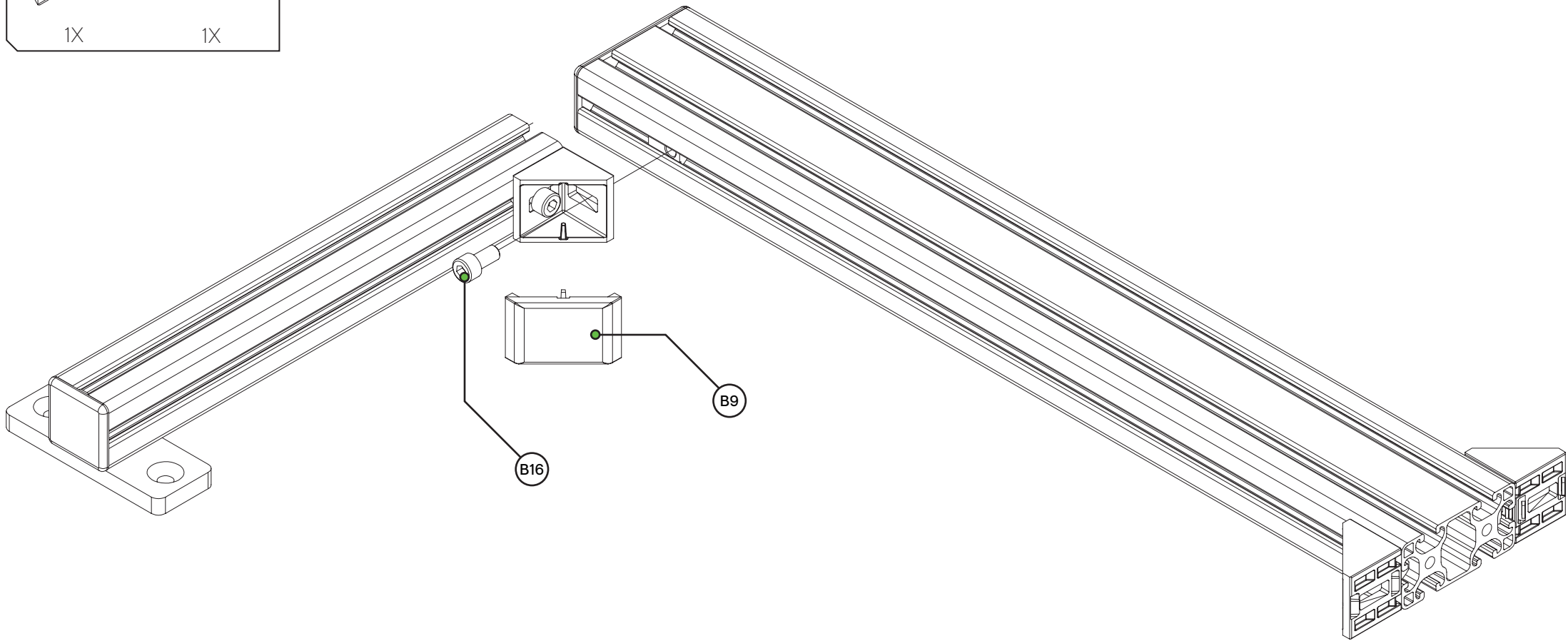
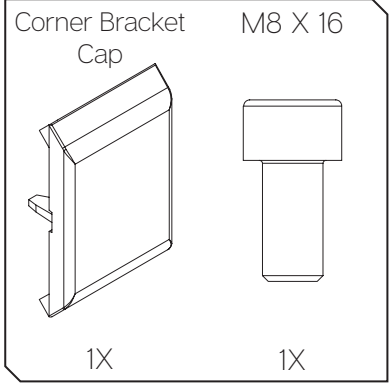


320MM	Profile 40X40 End-Cap	Sandwich Plate Small	Corner Bracket	M8 X 16 (B16)	M8 X 20 (B20)	Slot-Nut M8
						
1X	1X	1X	1X	1X	1X	2X

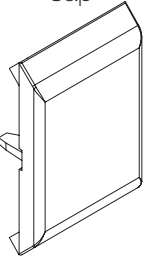
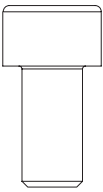
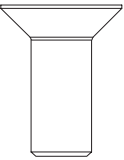
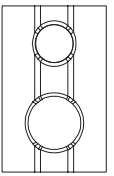


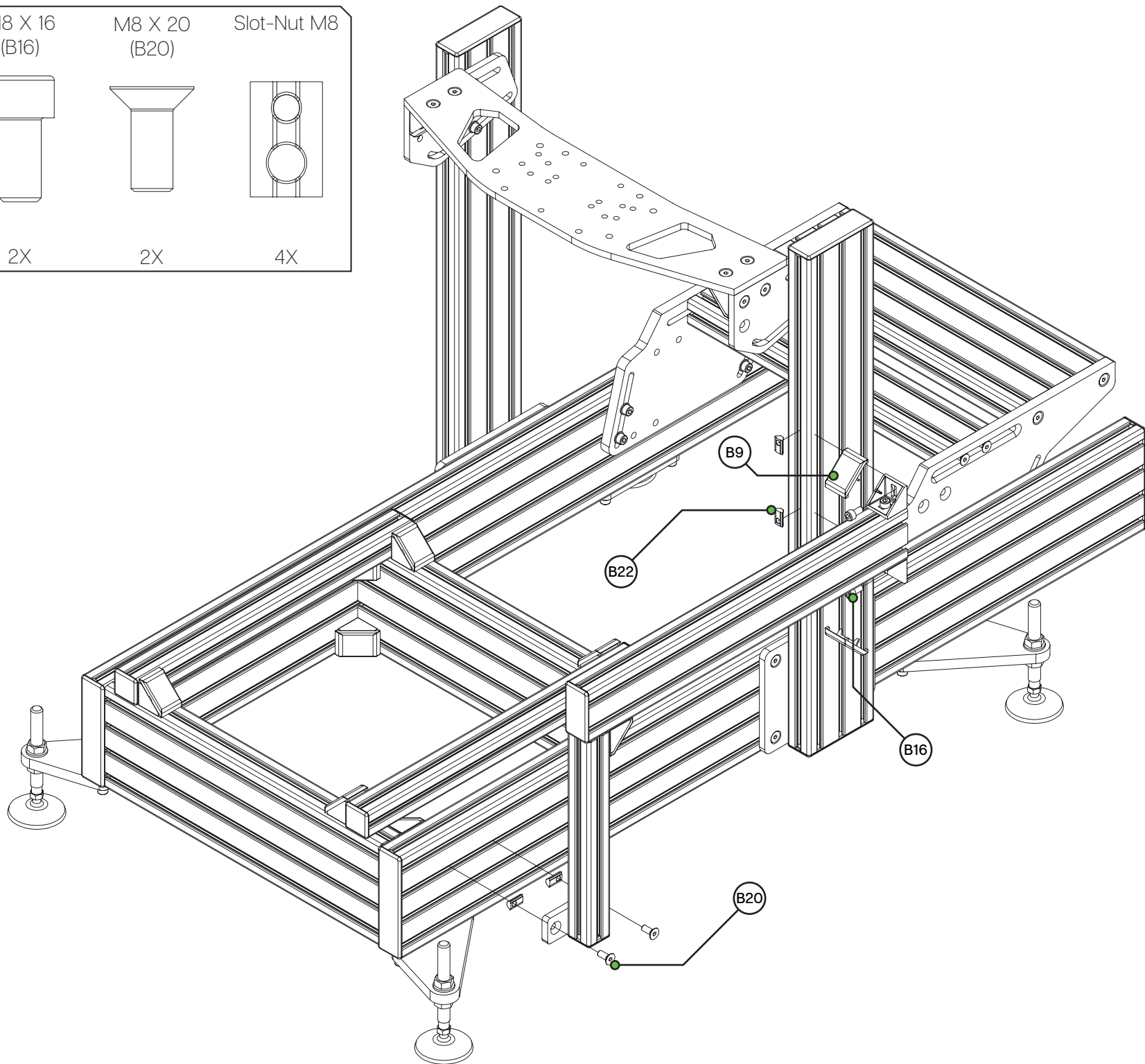
550MM	Profile 80X40 End-Cap	Corner Bracket	M8 X 16	Slot-Nut M8
				
1X	1X	2X	2X	3X







Corner Bracket Cap	M8 X 16 (B16)	M8 X 20 (B20)	Slot-Nut M8
			
2X	2X	2X	4X



<b>BOX A PROFILE KIT</b>			
#	Part	QTY	Note
AP1	160X40 Length=1350mm	2	
AP2	160X40 Length=500mm	2	
AP3	120X40 Length=780mm	2	

<b>BOX B PROFILE KIT</b>			
BP1	80X40 Length=550mm	1	
BP2	40X40 Length=500mm	2	
BP3	40X40 Length=320mm	1	
BP4	40X40 Length=200mm	2	
<b>HARDWARE KIT</b>			
B5	Sandwich plate large	2	
B6	Sandwich plate small	1	
B7	Rubber Feet	4	
B8	Corner bracket 40x40	20	
B9	Corner bracket 40x40 cap	20	
B10	Profile 160x40 end-cap	4	
B11	Profile 120x40 end-cap	4	
B12	Profile 80x40 end-cap	1	
B13	Profile 40x40 end-cap	9	
B14	Bolt M8 X 25 DIN 912	8	Bag HW 40.D
B15	Bolt M8 X 20 DIN 912	10	Bag HW 40.D
B16	Bolt M8 X 16 DIN 912	50	Bag HW 40.C
B17	Bolt M6 X 20 DIN 912	8	Bag HW 40.D
B18	Bolt M6 X 12 DIN 912	4	Bag HW 40.D

#	Part	QTY	Note
B19	Bolt M8 X 25 DIN 7991	12	Countersunk, Bag HW 40.D
B20	Bolt M8 X 20 DIN 7991	20	Countersunk, Bag HW 40.D
B21	Washer M8 DIN 125-A	10	Bag HW 40.D
B22	Slot-Nut M8	65	Bag HW 40.A
B23	Slot-Nut M6	12	Bag HW 40.B
B24	Slot-Nut M5	4	Bag HW 40.D
B25	Slot-Nut M4	4	Bag HW 40.D

<b>BOX C - Pedal Tray PROFILE KIT</b>			
CP1	160X40 Length=470mm	1	
CP2	80X40 Length=470mm	1	
<b>HARDWARE KIT</b>			
C3	P1-X pedal plate LEFT	1	
C4	P1-X pedal plate RIGHT	1	
C5	Bolt M8 X 25 DIN 912	10	
C6	Bolt M6 X 16 DIN 912	12	
C7	Bolt M5 X 16 DIN 912	12	
C8	Bolt M8 X 25 DIN 7991	10	Countersunk
C9	Washer M8 DIN 125-A	10	
C10	Slot-Nut M8	10	
C11	Slot-Nut M6	12	
C12	Slot-Nut M5	12	
<i>Disclaimer: for some entries on this list, we supply more than required as spare materials. Don't worry if you have some leftovers, this is intentional.</i>			

**BOX D - Sim Feet (optional purchase)****HARDWARE KIT**

#	Part	QTY	Note
D1	Foot support plate	4	
D2	Foot	4	Threaded ball-joint rod fixed
D3	Bolt M8 X 25 DIN 912	8	
D4	Washer M16 DIN 125-A	8	
D5	Washer M8 DIN 125-A	8	
D6	Nut M16	8	
D7	Slot-Nut M8	8	

**WHEEL DECK (optional purchase)****HARDWARE KIT**

#	Part	QTY	Note
W1	Wheel deck	1	
W2	Wheel deck side plate LEFT	1	
W3	Wheel deck side plate RIGHT	1	
W4	Corner bracket 40x40	4	
W5	Corner bracket 40x40 cap	4	
W6	Bolt M8 X 20 DIN 912	8	
W7	Bolt M8 X 16 DIN 912	4	
W8	Bolt M8 X 25 DIN 7991	8	Countersunk
W9	Bolt M8 X 16 DIN 7991	2	Countersunk
W10	Washer M8 DIN 125-A	18	
W11	Nut M8	10	
W12	Slot-Nut M8	10	

**FRONT MOUNT (optional purchase)****HARDWARE KIT**

F1	Front mount	1	
F2	Front mount side plate LEFT	1	
F3	Front mount side plate RIGHT	1	
F4	Corner bracket 40x40	4	
F5	Corner bracket 40x40 cap	4	
F6	Bolt M8 X 40 DIN 912	4	
F7	Bolt M8 X 20 DIN 912	8	
F8	Bolt M6 X 20 DIN 912	4	
F9	Bolt M8 X 30 DIN 7991	4	Countersunk
F10	Bolt M8 X 25 DIN 7991	4	Countersunk
F11	Bolt M8 X 16 DIN 7991	2	Countersunk
F12	Washer M8 DIN 125-A	12	
F13	Spacer male/female M6 X 10	4	
F14	Slot-Nut M8	10	
F15	Nut M8	14	

**SIDE MOUNT FOR FANATEC (optional purchase)****PROFILE KIT**

SP1	80X40 Length=DD1 or CSL version	2	Threaded M8
-----	---------------------------------	---	-------------

**HARDWARE KIT**

S2	Side mount base holder LEFT	1	
S3	Side mount base holder RIGHT	1	
S4	Side mount profile holder LEFT	1	
S5	Side mount profile holder RIGHT	1	
S6	Bolt M8 X 20 DIN 912	8	
S8	Bolt M6 X 20 DIN 912	4	
S9	Bolt M8 X 20 DIN 7991	8	Countersunk
S10	Bolt M6 X 20 DIN 7991	4	Countersunk
S11	Washer M8 DIN 125-A	8	
S12	Washer M6 DIN 125-A	6	
S13	Slot-Nut M8	8	

*Disclaimer: for some entries on this list, we supply more than required as spare materials. Don't worry if you have some leftovers, this is intentional.*

If you still have some questions regarding assembly of this product or about the manual itself, please refer to our support department. They can be reached at

support@sim-lab.eu

Alternatively, we now have a Discord server where there are quite some experienced Sim-Lab customers hanging out. They might just help you along if you ask them nicely ;)

[www.sim-lab.eu/discord](http://www.sim-lab.eu/discord)

If you feel like printing this manual, please consider the environment before doing so. For the best results, make sure you print at 100% scale without borders.

[Product page on the Sim-Lab website:](#)



[Instruction video on YouTube:](#)

