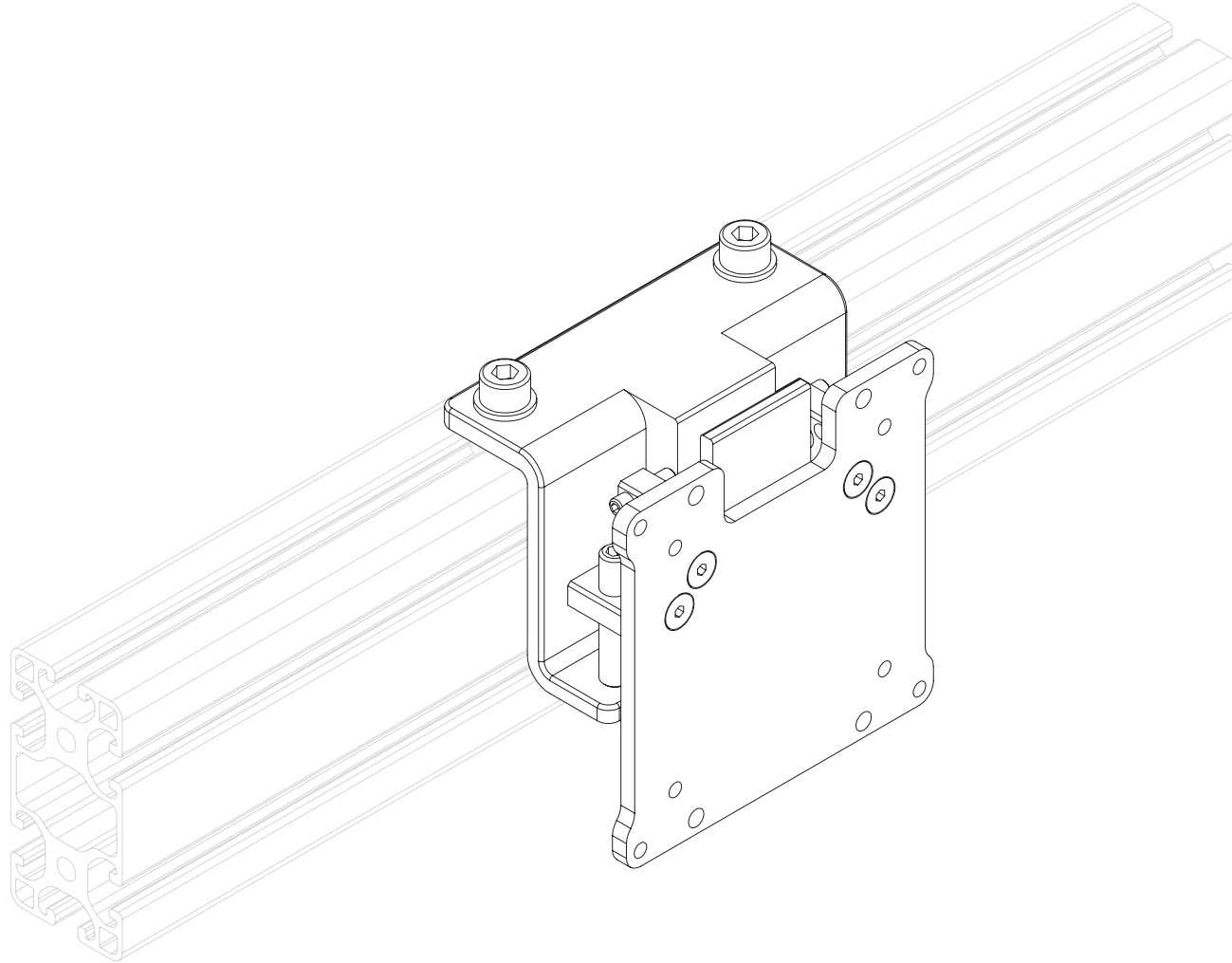


SIM LAB

INSTRUCTION MANUAL



VARIO™ VESA TRIPLE ADAPTER SET

VERSION 2.3

Last updated: 19-02-2024

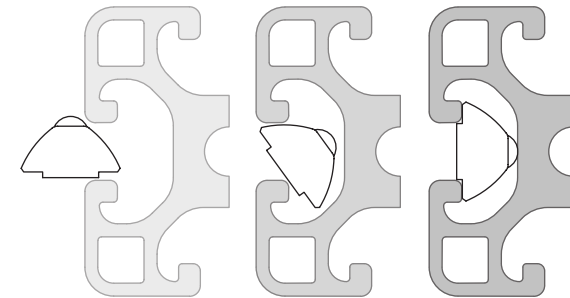
BEFORE YOU START:

Thank you for purchasing this Sim-Lab product! On the following pages, you will find detailed instructions on assembly. This requires only a set of simple tools and some of your time. Please check the bill of materials before starting (page 11) and make sure all the parts are delivered.

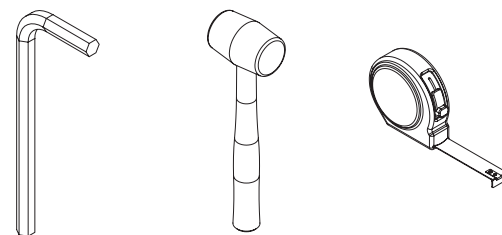
This product is available in a set of 3 while also being available individually. This manual will focus on the set of 3, hence the quantities in the bill of materials are what they are.

Inserting Slot-Nuts:

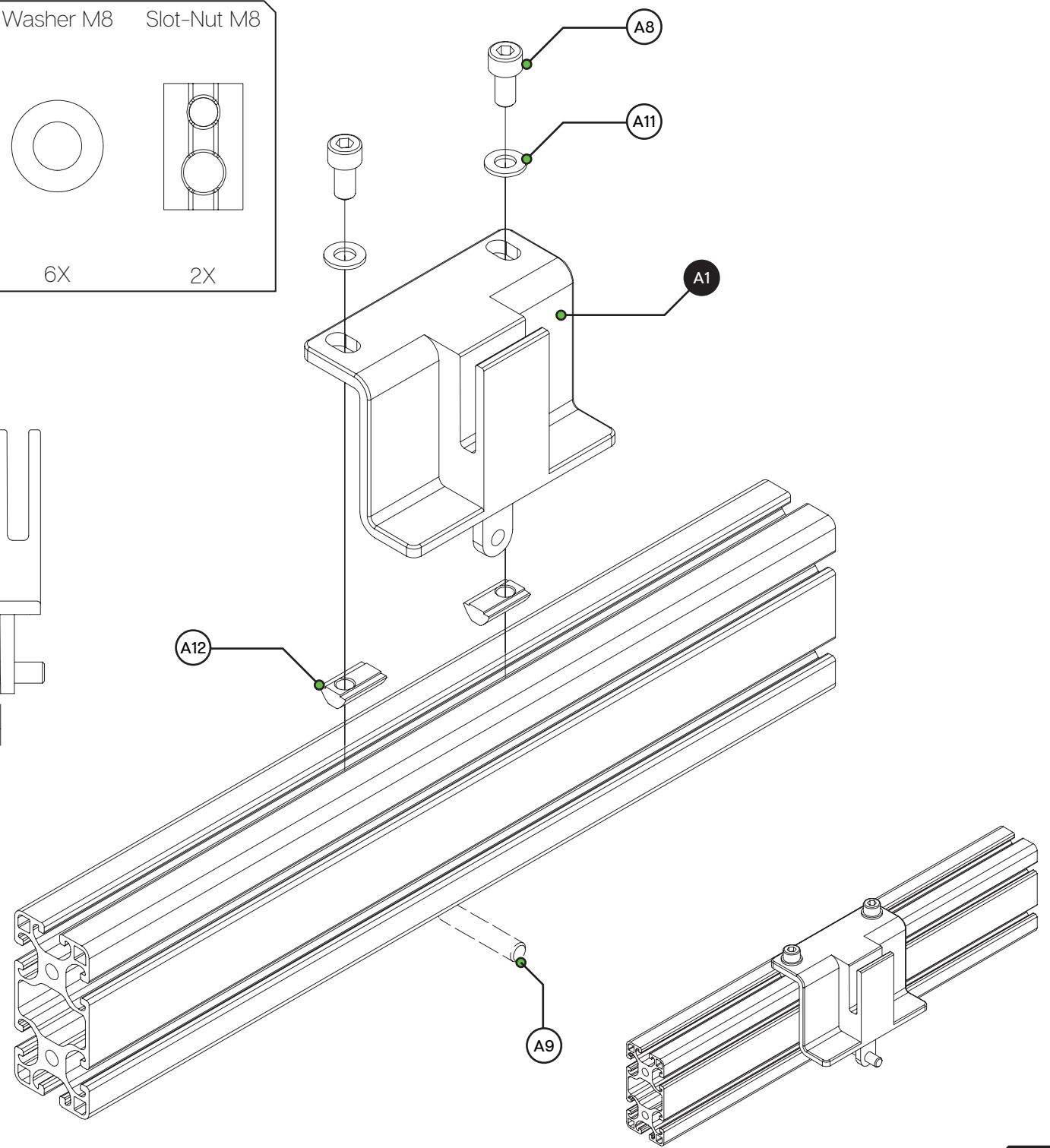
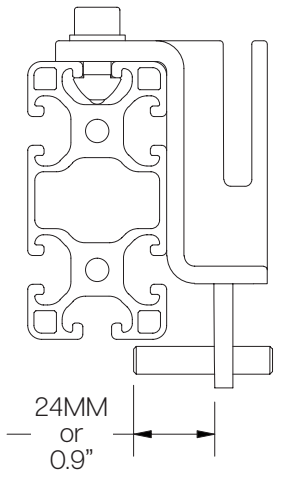
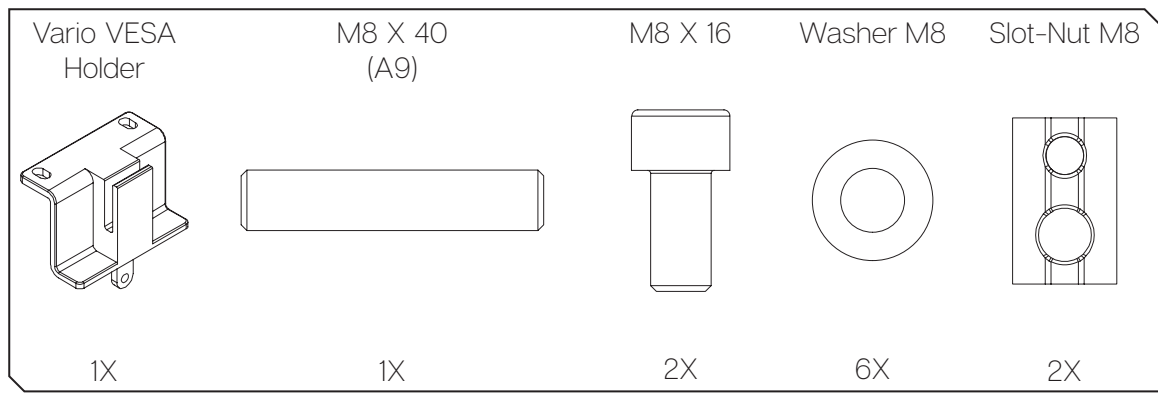
You got excited, finished the build, put the caps on, but forgot to install one element. Do not worry. It happens to everyone. In this diagram, you can see how to insert a Slot-Nut directly into the slot from the side. You can also use one of your smaller Hex wrenches to help wiggle the Slot-Nut in place.



Tools needed:

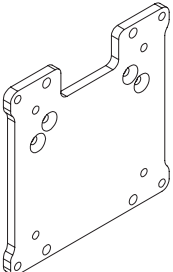
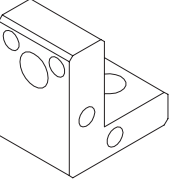

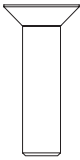


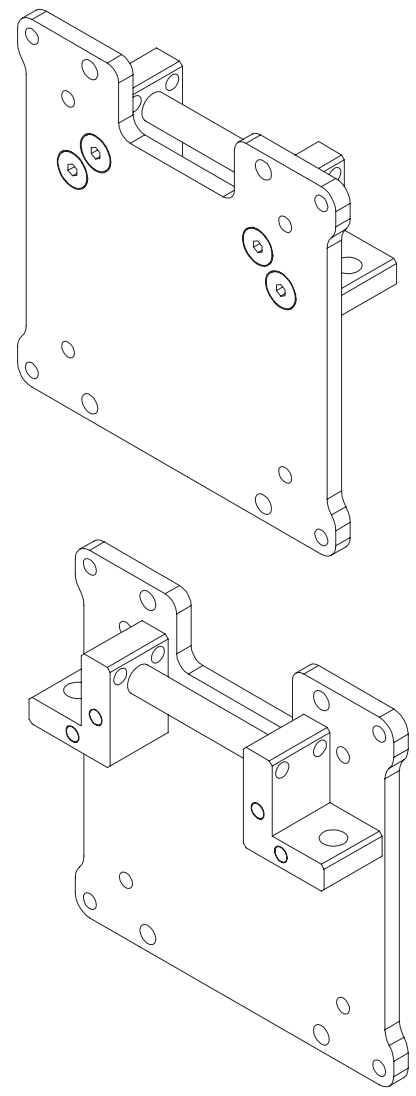
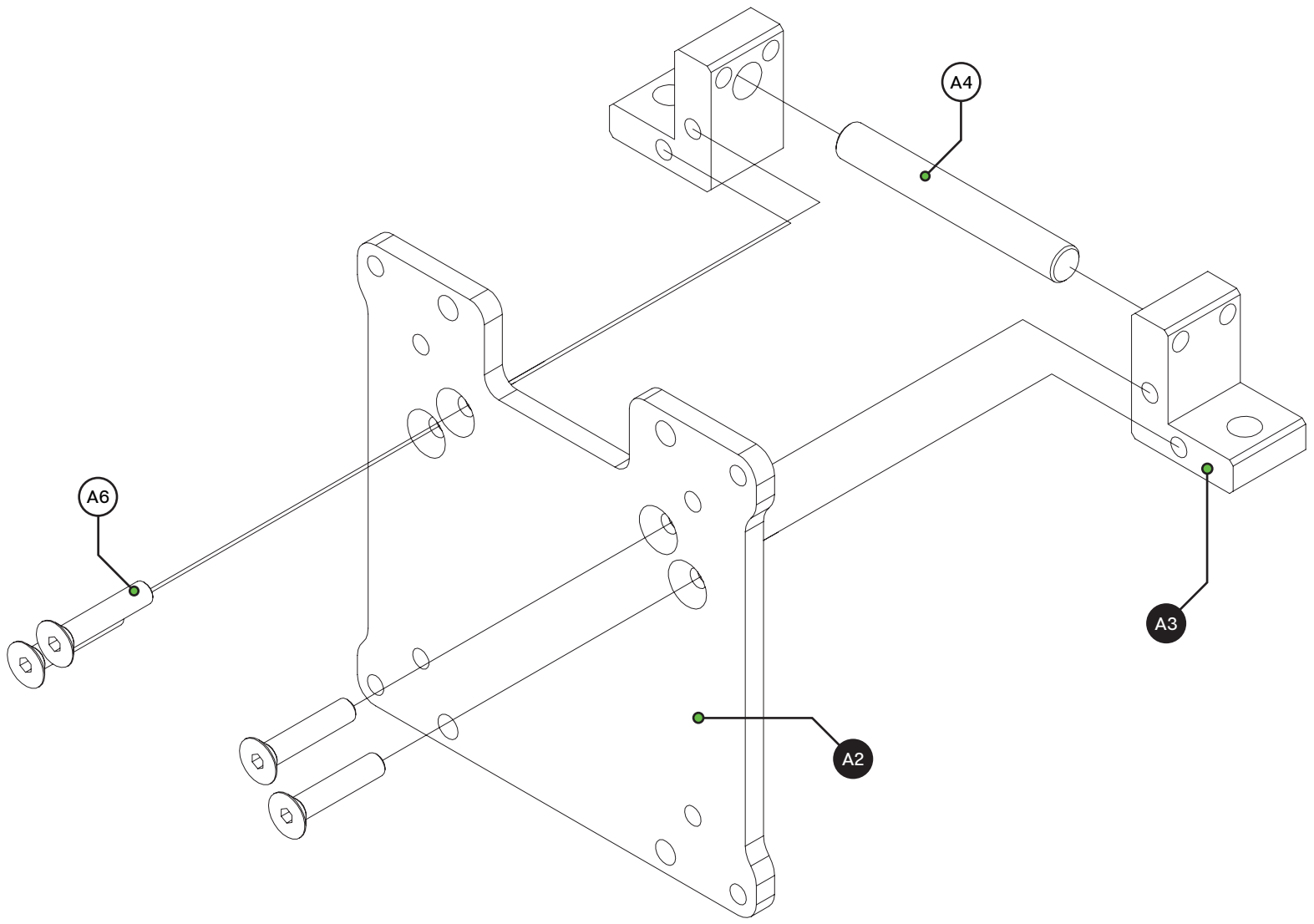
5/6MM

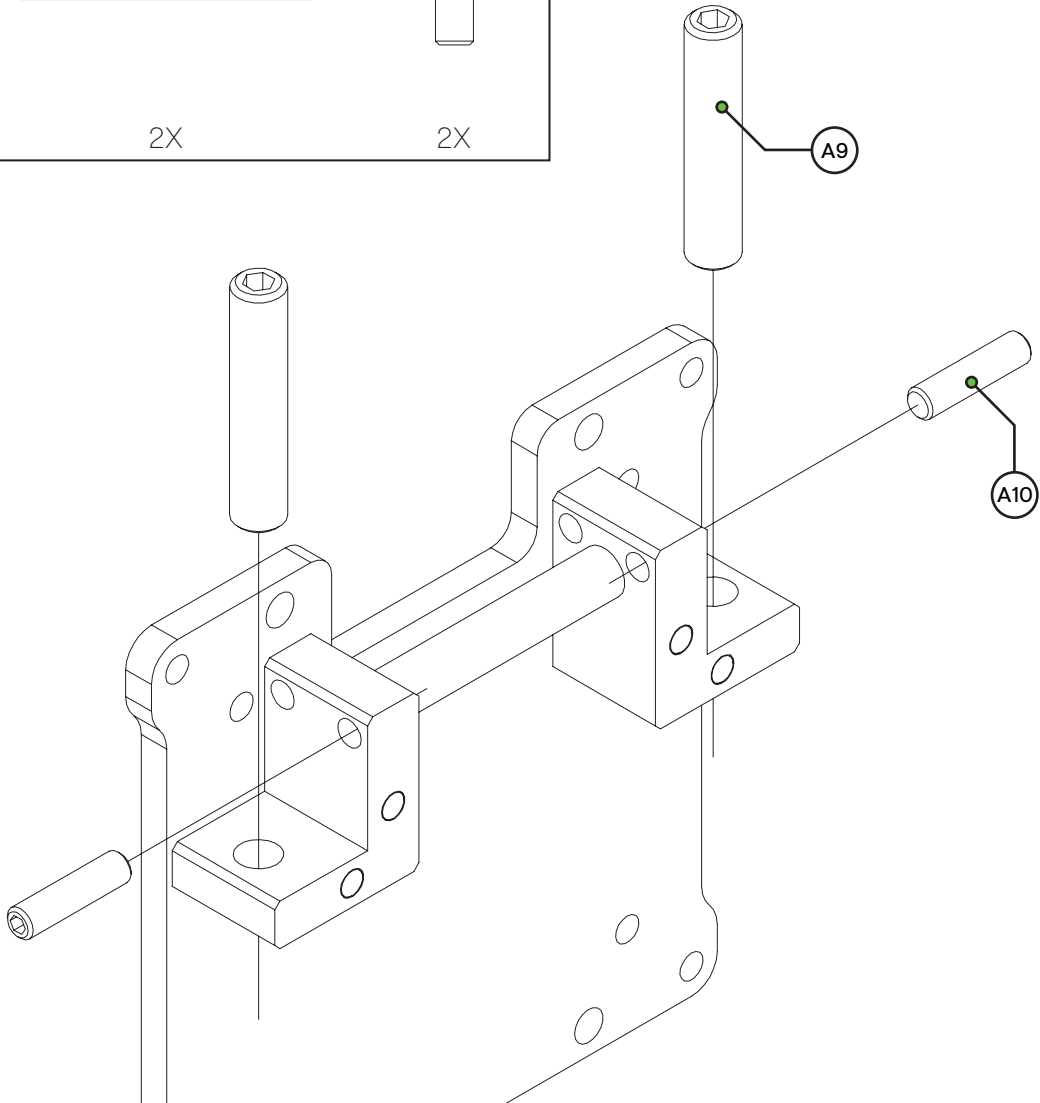
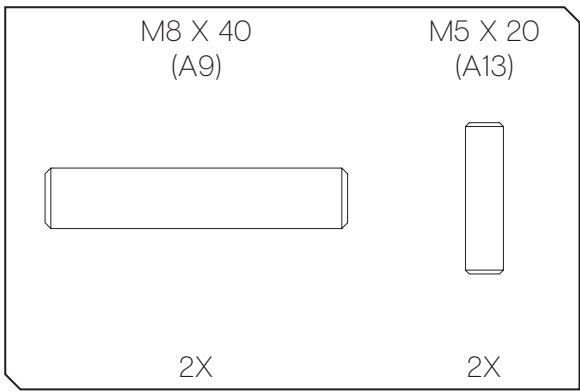


Measurements given are just reference measurements to allow for easy installation and offer a baseline.

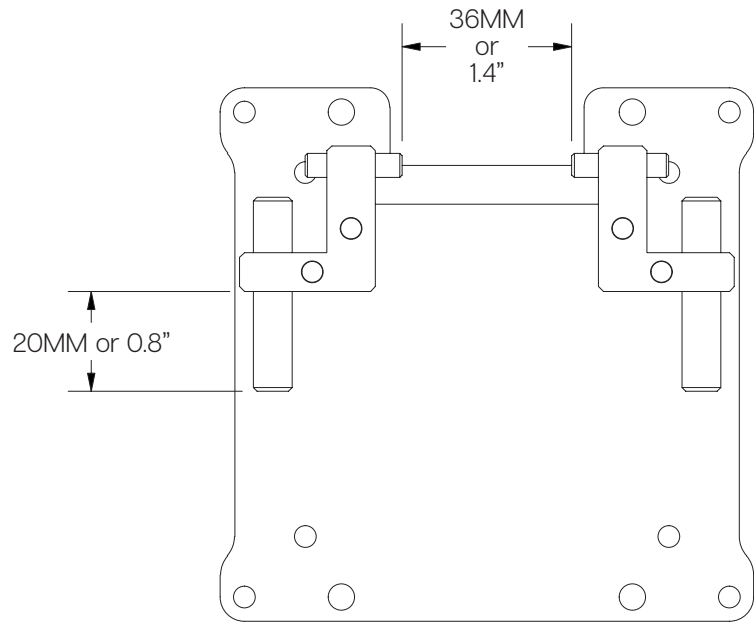
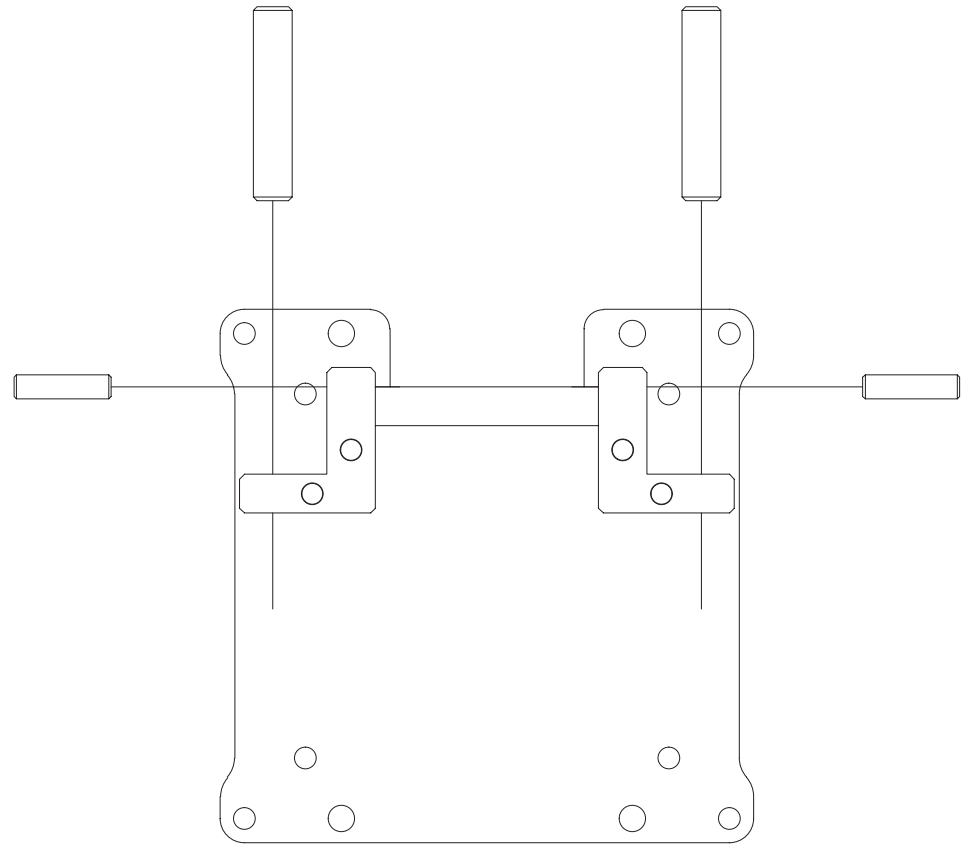
Install A9 only *after* the Vario VESA holder has been mounted to a profile.

Vario VESA Plate	Vario VESA Pin Holder	Vario VESA Pin	M5 X 20
			
1X	2X	1X	4X

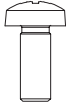




Measurements given are just reference measurements to allow for easy installation and offer a baseline.

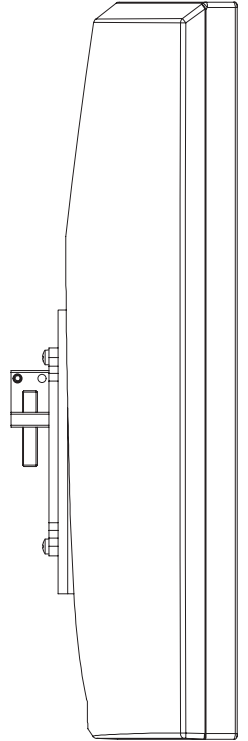
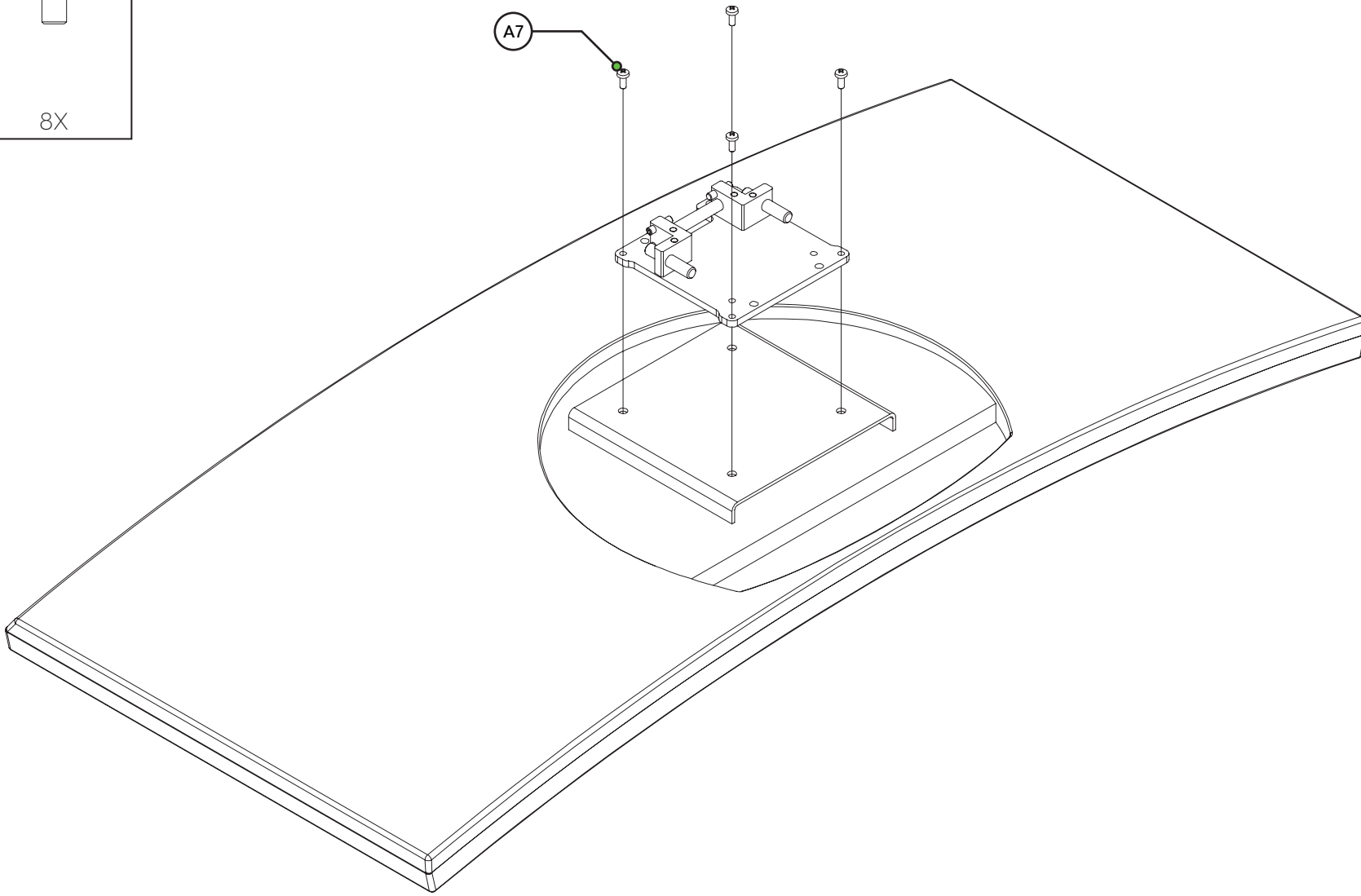


M4 X 10
(A7)

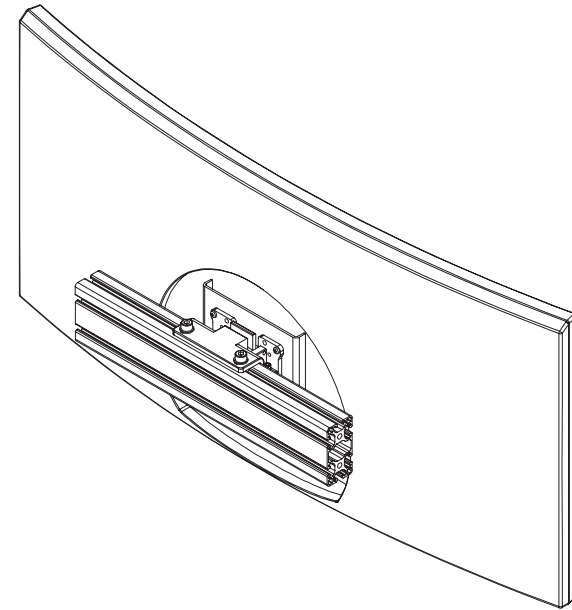
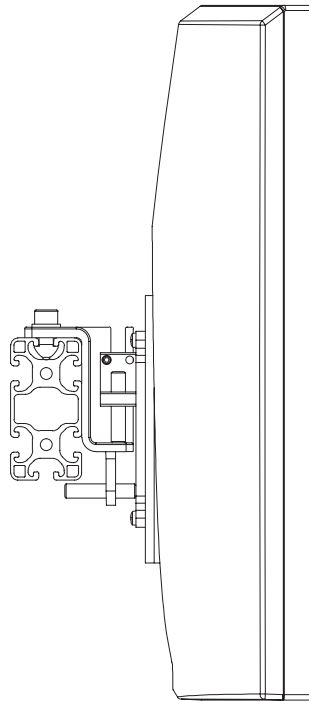
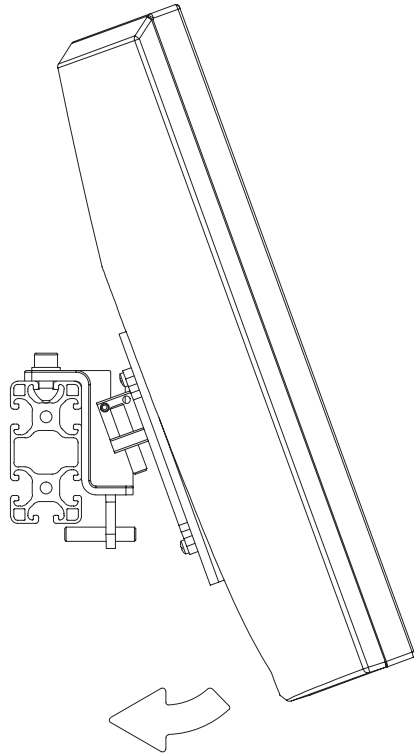
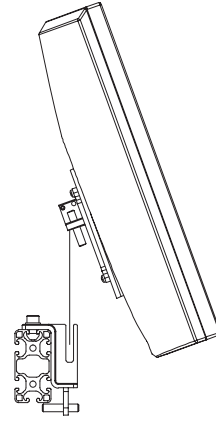
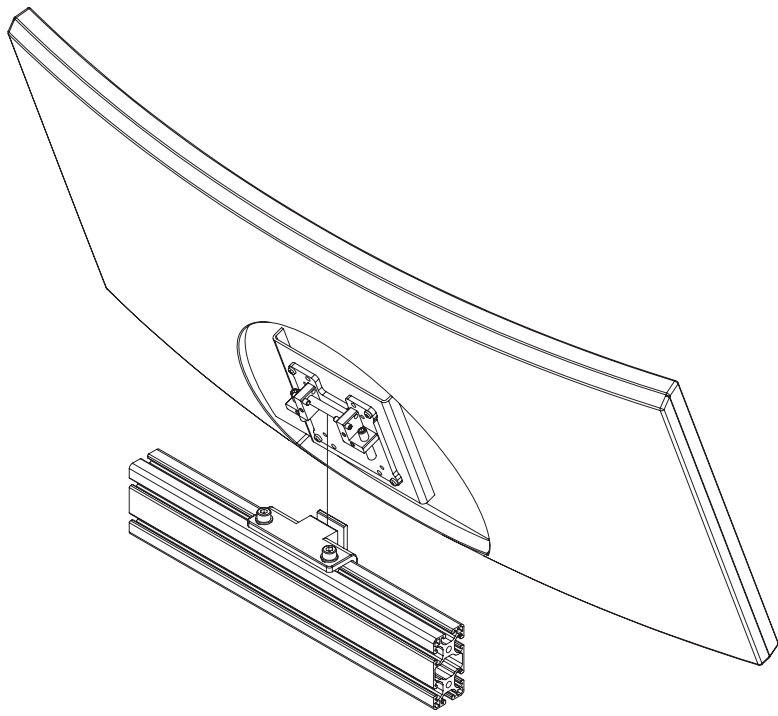


8X

A7



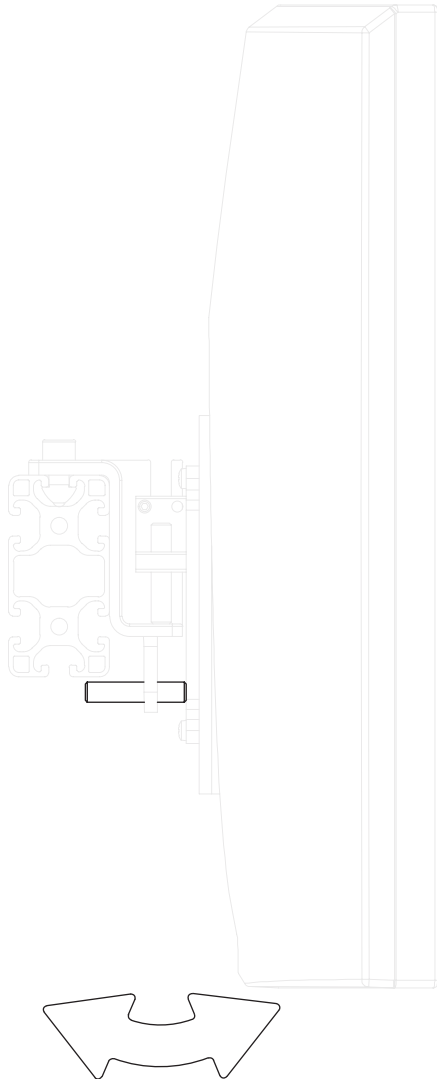
Drop the pin (A4) into the slot and carefully angle the monitor downwards to rest on the end of part A12.
Now you can make all necessary adjustments.



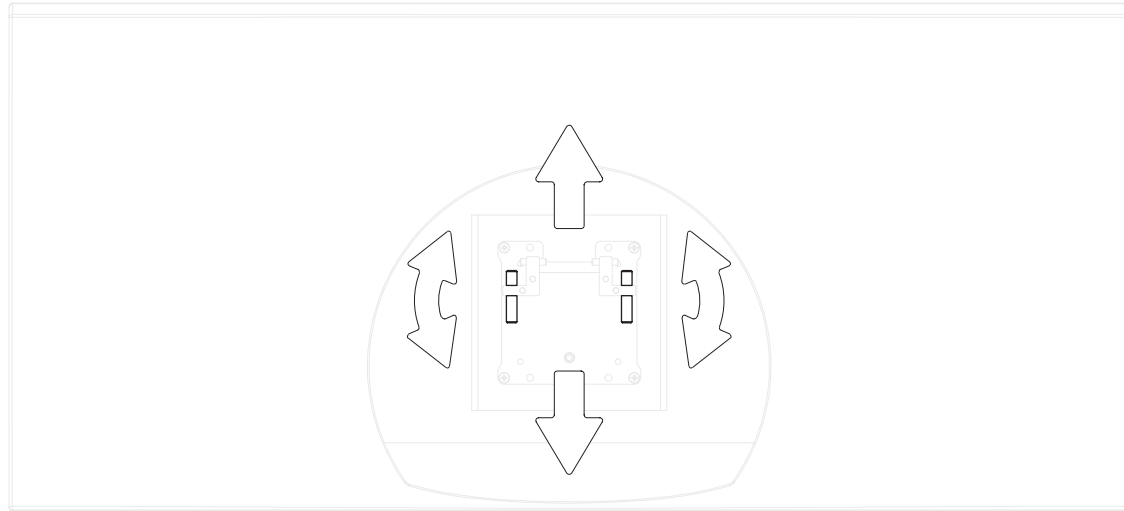
The highlighted parts are responsible for the adjustments shown.

All adjustments are done by simply threading an adjustment screw in/out depending on what you want to achieve.

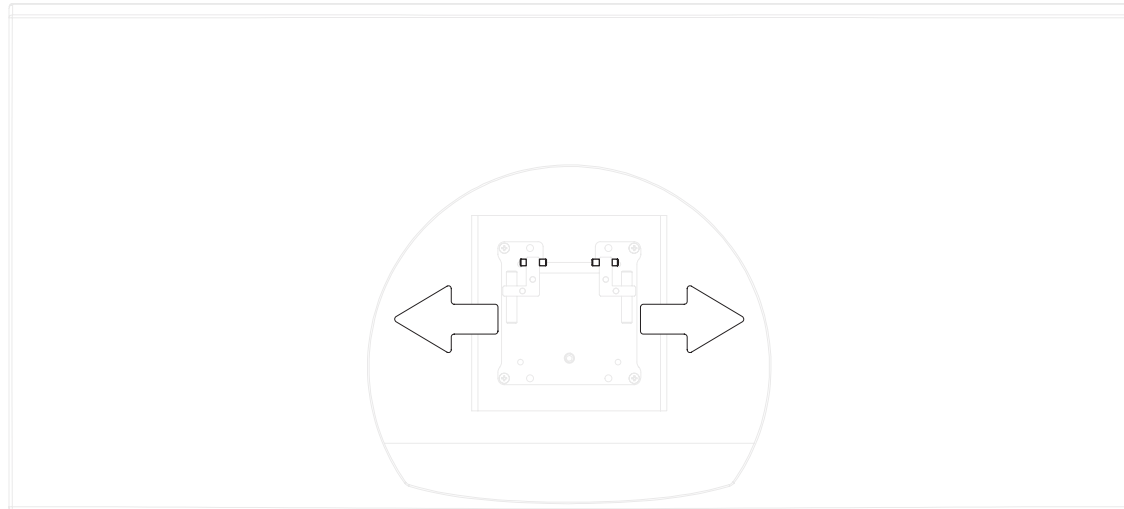
TILT



HEIGHT/ROTATION



SIDEWAYS



**BOX A - Vario VESA triple adapter set
HARDWARE KIT**

#	Part	QTY	Note
A1	Vario VESA holder	1	
A2	Vario VESA plate	1	
A3	Vario VESA pin holder	2	
A4	Vario VESA pin	1	
A5	Bolt M5 X 20 DIN 7991	4	
A6	Screw M4 X 16 DIN 7985	4	Philips head.
A7	Screw M4 X 10 DIN 7985	4	Philips head.
A8	Bolt M8 X 16 DIN 912	2	
A9	Set screw M8 X 40 DIN 916	3	
A10	Set screw M5 X 20 DIN 916	2	
A11	Washer M8 DIN 125-A	2	
A12	Slot-Nut M8	2	
A13	Standoff M4 x 10	4	

Disclaimer: for some entries on this page, we supply more than required as spare materials. Don't worry if you have some leftovers, this is intentional.

If you still have some questions regarding assembly of this product or about the manual itself, please refer to our support department. They can be reached at

support@sim-lab.eu

Alternatively, we now have a Discord server where there are quite some experienced Sim-Lab customers hanging out. They might just help you along if you ask them nicely ;)

www.sim-lab.eu/discord

If you feel like printing this manual, please consider the environment before doing so. For the best results, make sure you print at 100% scale without borders.

[Product page on the Sim-Lab website:](#)

