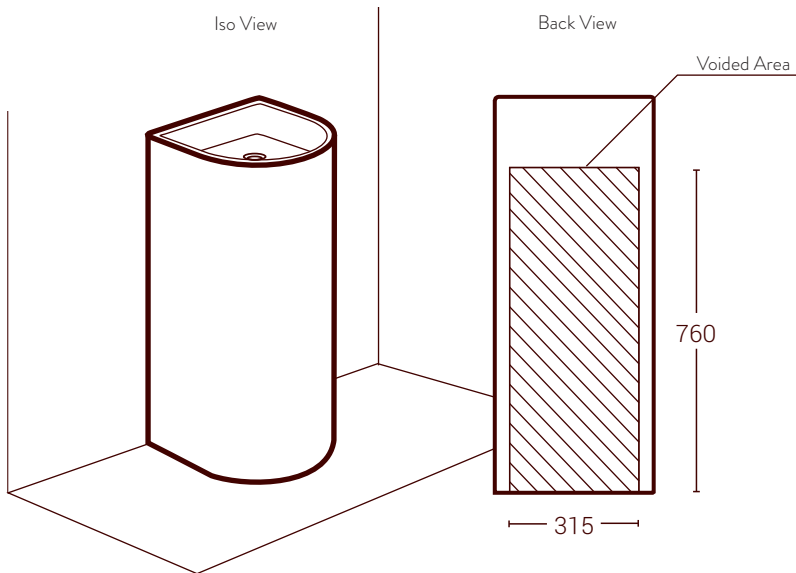


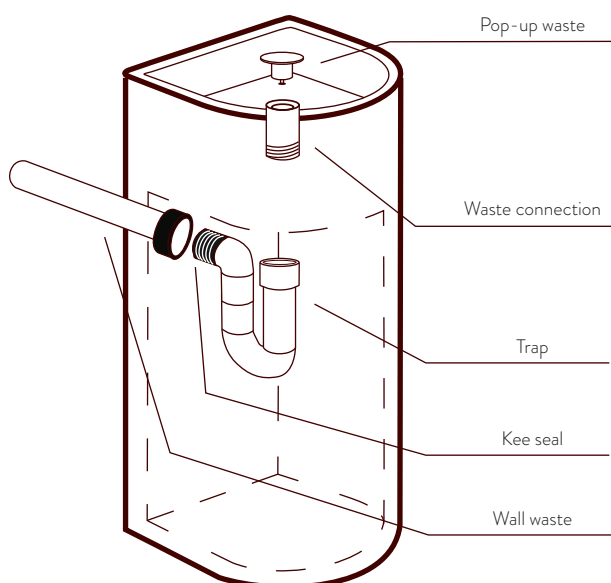
INSTALLATION GUIDE: AURORA PEDESTAL CONCRETE BASIN

Installation of this product should be carried out by a licensed plumber. This document is provided as a general installation guide. Installation in Australia and New Zealand need to adhere to AS/NZS 3500 to ensure compliance with building/plumbing standards.

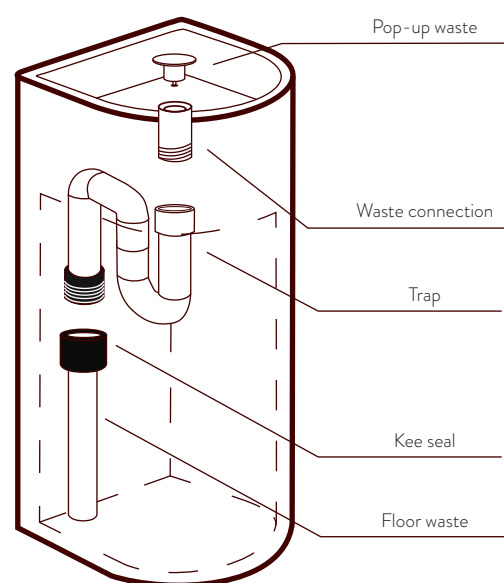


1. Position the Aurora Pedestal Concrete Basin in its final location.
2. Mark out the location of the basin on the floor and wall.
3. Remove the basin away from its final location. Install the plug waste and trap to the basin as required.
4. Take measurements of the location of the trap drainage connection of the basin. Adjust the drainage in the wall or floor to correlate to the basin in its final location. Use a kee seal to connect the basin waste to the plumbing waste connection.

5. For horizontal wall waste connections - move the basin back into its final location. Keep the basin offset from the wall. Align the basin to the marks on the wall, push the basin back into position to connect the kee seal. Silicone around the base of the basin and wipe off any excess.



6. For vertical floor waste connections - move the basin back into its final location. Before lowering, ensure the basin aligns with the waste. Slowly lower the basin to the ground, in turn connecting the kee seal waste. Silicone around the base of the basin and wipe off any excess.



* All dimensions and weights are estimated. Due to the nature of concrete, there may be slight variation in colour, finish and weight. Do not scale drawing.