

ARIES CONCRETE PEDESTAL BASIN



PRODUCT INFORMATION

WEIGHT* 35 kg

DIMENSIONS* Length: 450mm
Width: 250mm
Height: 890mm

MATERIAL Fibre Reinforced Concrete

FINISH Satin - Low gloss

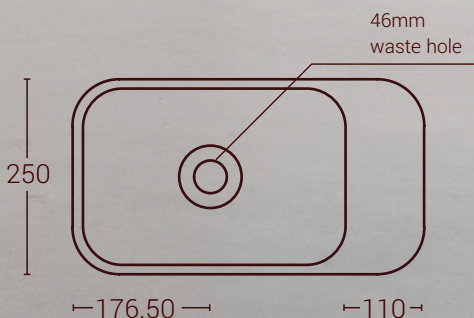
MOUNT TYPE Standing

WASTE Waste not included.
46mm diameter waste
hole, making it compatible
with a 32mm or 40mm
waste

INSTALLATION To be installed by licensed
trades person. Follow
the instructions in the
Installation Guide. When
installing the waste do not
over tighten the plug/waste

* All dimensions and weights are estimated. Due to the nature of concrete, there may be slight variation in colour, finish and weight. Do not scale drawing.

TOP VIEW



FRONT VIEW



CROSS-SECTION VIEW

