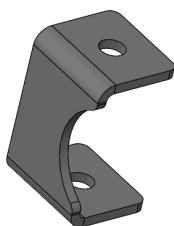
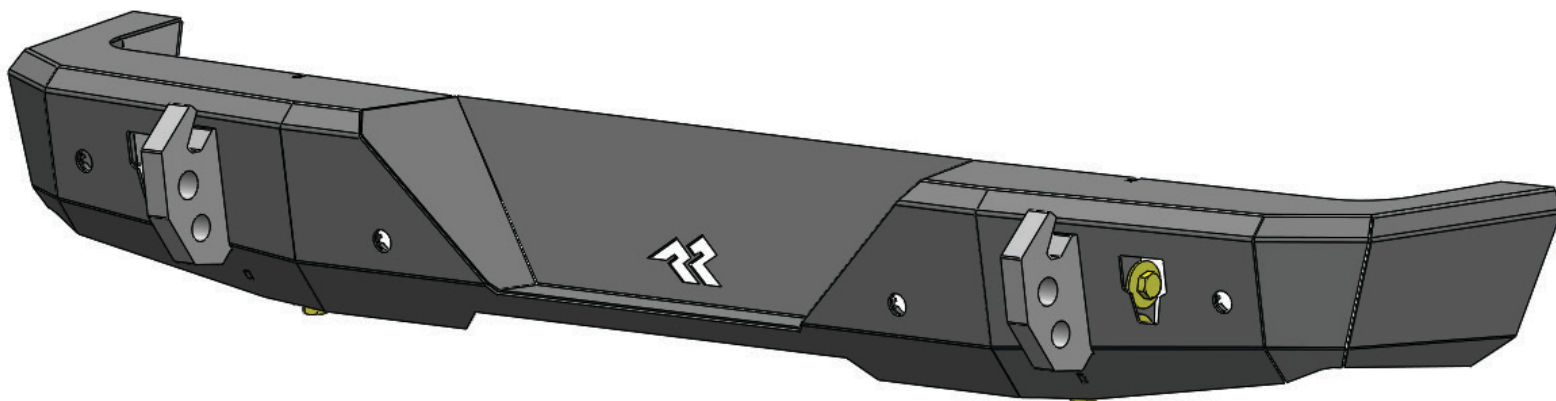
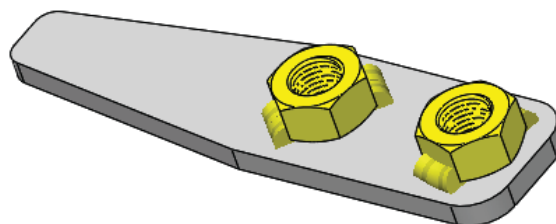


## Rugged Ridge HD Rear Bumper, JL



Back-Up Sensor Bracket



Passenger-Side Nut Plate

### Components

|    |  |   |
|----|--|---|
| 1. | Back-up Sensor Bracket.....            | 4 |
| 2. | Passenger Side Nut-plate .....         | 1 |
| 3. | M14 x 1.25 Gold Zinc Bolt.....         | 8 |
| 4. | M14 Gold Zinc Flat Washer.....         | 8 |
| 5. | M6 x 1.0mm Gold Zinc Bolt.....         | 8 |
| 6. | M6 Gold Zinc Flat Washer.....          | 8 |
| 7. | M6 Gold Zinc Serrated Flange nut ..... | 8 |

OMIX-ADA® TECHNICAL SUPPORT

PHONE: M-F 8am - 5pm EST 1-800-449-6649

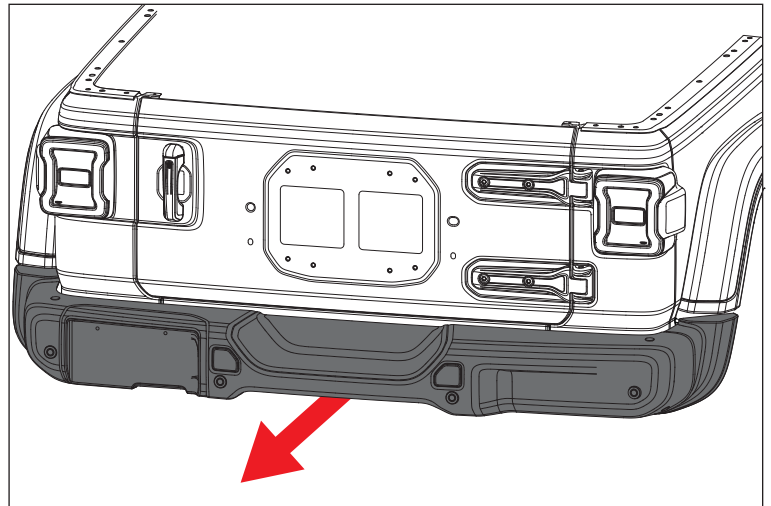
FOR WARRANTY OR TECH CONCERNS EMAIL: [webmaster@omixsupport.com](mailto:webmaster@omixsupport.com)

**ATTN: STATE OF CALIFORNIA CONSUMERS**

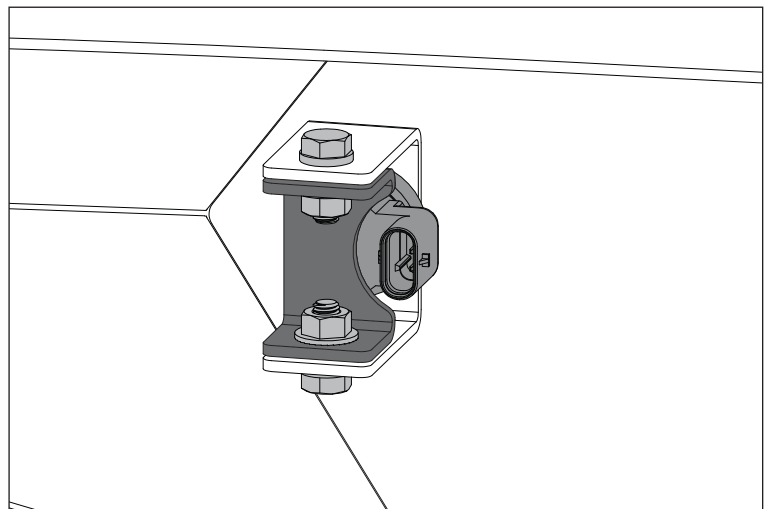
**⚠ WARNING: Cancer and Reproductive Harm - [www.P65Warnings.ca.gov](http://www.P65Warnings.ca.gov).**

## Rugged Ridge HD Rear Bumper, JL

1. To remove the OE rear bumper, start by removing the spare from the tailgate. Next, unplug the rear sensor and tag light harness from underneath the Jeep. There are two wire loom retainers attached to the Jeep. Pull these two retainers from the body, allowing this electrical connection free from the Jeep. Next remove the nuts from the studs of the bumper, two per side. Now remove the two bolts holding the bumper to the cross frame. With an assistant lift bumper up and away from the Jeep. Now remove the two bumper brackets from the frame, each is held with two bolts on the side of the frame. Now return to the bumper and gently remove the rear sensors from the OE bumper to install on your HD rear Bumper.



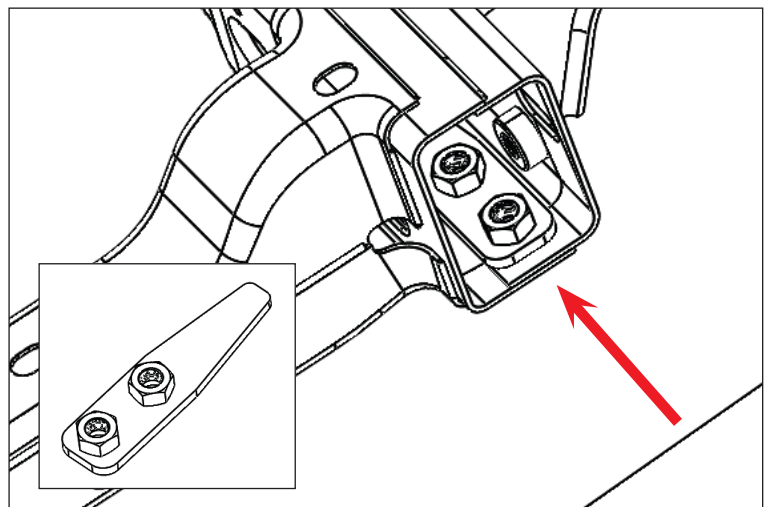
2. Pre-install the rear back-up sensors to the HD Rear Bumper. In the OE bumper the sensor was installed using an inner and outer ring. The HD bumper does not use the rings to mount, remove any of the rings from the sensors. Each sensor will lock into the grooves of the HD Bumper. With sensor locked into the grooves of the bumper place rear bracket against the back of the sensor. Now use the M6 hardware to mount this bracket.



Attach all four sensors. Route the wire harness so it won't be pitched during installation.

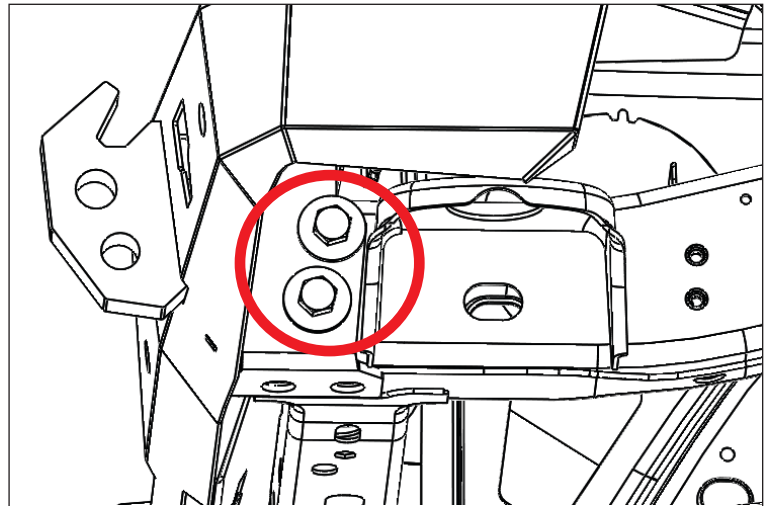
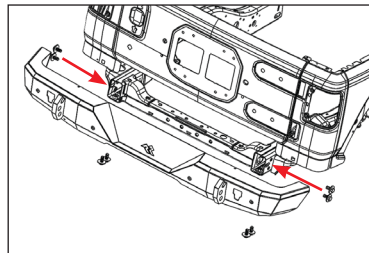
Keep in mind you also have the rear tag light plug to adapt to the tag location you choose.

3. Next install the passenger side nut plate into the passenger side fender rail. Make sure the nut plate sits flat in the frame, it may require cleaning this area of dirt and debris. Also make sure the threaded nuts are accessible through the holes underneath the frame to thread bolts through.

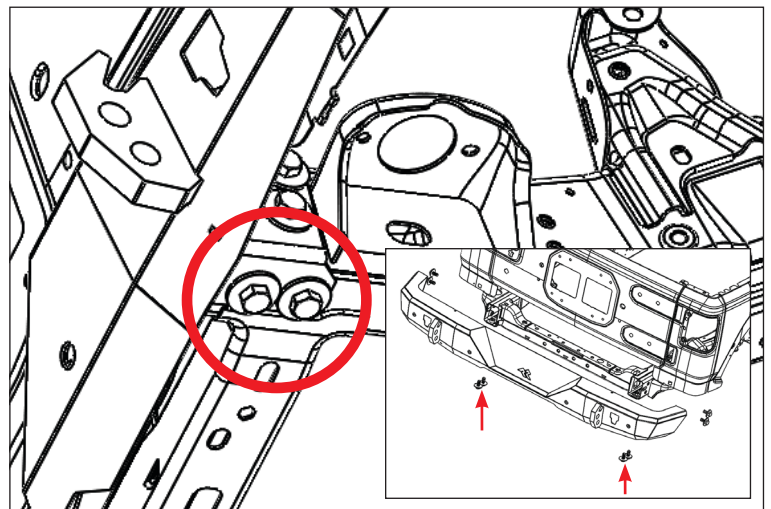


## Rugged Ridge HD Rear Bumper, JL

4. It's recommended to place painters tape to the lower corners of the Jeep body to avoid the bumper from rubbing and scratching the paint during installation. Now lift and place the bumper to the Jeep frame rails. It's best to have an assistant to lift and hold the bumper in place. Thread M14 bolt and washer into the side of the frameraills.



5. Begin threading M14 bolt and washer to the under side of the frameraills. Keep in mind the passenger side threads into the nut plate installed earlier. It may require moving the nut plate to assure it aligns to thread bolts through. Now that the mounting hardware is all installed adjust bumper level to the body of the Jeep. Once in desired position tighten all hardware (4 bottom frame bolts and 4 side frame bolts) in a alternating pattern. **Avoid using power or air tools.** Tighten to 60ft lbs torque to secure the bumper to the Jeep.



6. Plug rear back-up sensors harness in. Now zip tie wires up and free from hanging. Remove the protective painters tape from the Jeep body.

This completes the installation of your HD Rear Bumper.

