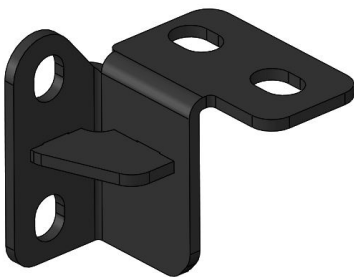
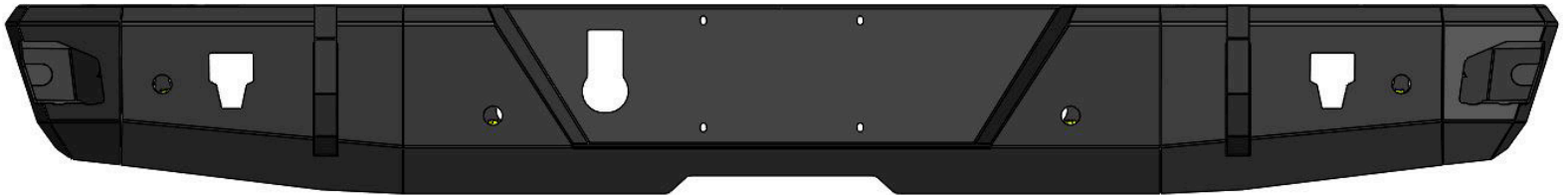
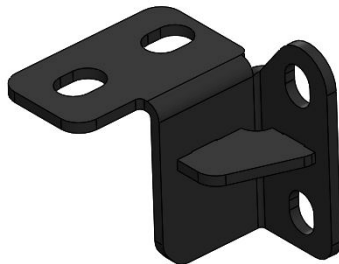


Rugged Ridge HD Rear Bumper, JT



Passenger Side Frame Bracket



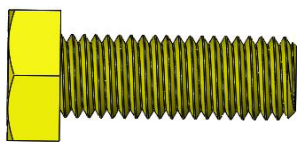
Driver Side Frame Bracket



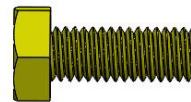
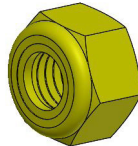
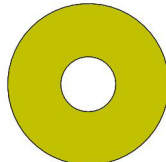
Back-up Sensor Retainer



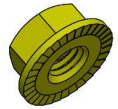
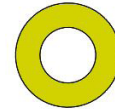
Plug



M14 Hardware



M6 Hardware



Components

1. Bumper	1	7. M14 Flat Washer	16
2. Passenger Side Frame Bracket	1	8. M14 Ny-lock Nut	8
3. Driver Side Frame Bracket	1	9. M6 x 16mm Hex Head Bolt	8
4. Back-up Sensor Retainer	4	10. M6 Flat Washer	16
5. Back-up Sensor Plug	4	11. M6 Flange Nut	8
6. M14 x 40mm Hex Head Bolt	8		

OMIX-ADA® TECHNICAL SUPPORT

PHONE: M-F 8am - 5pm EST 1-800-449-6649

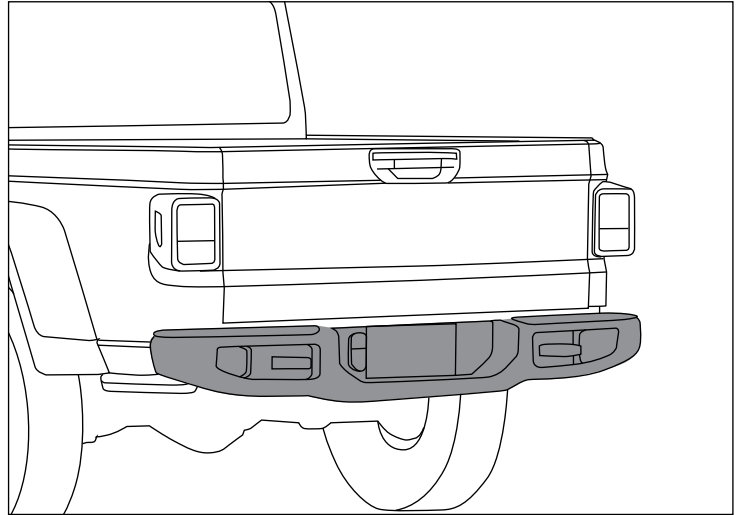
FOR WARRANTY OR TECH CONCERNS EMAIL: webmaster@omixsupport.com

ATTN: STATE OF CALIFORNIA CONSUMERS

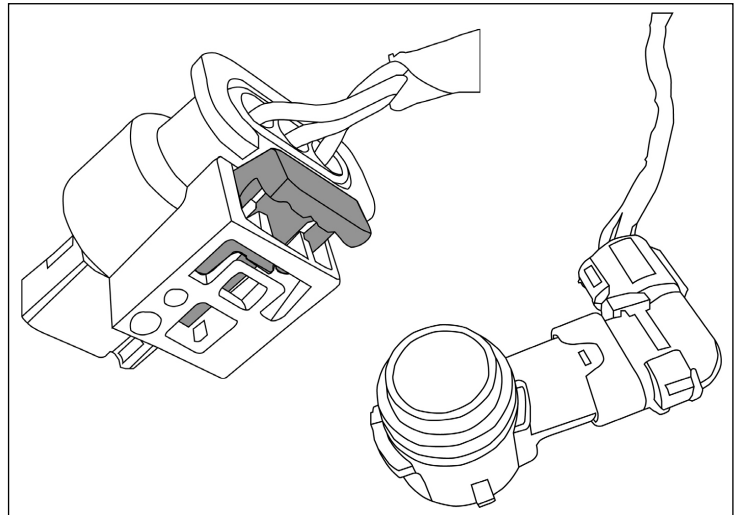
⚠ WARNING: Cancer and Reproductive Harm - www.P65Warnings.ca.gov.

Rugged Ridge HD Rear Bumper, JT

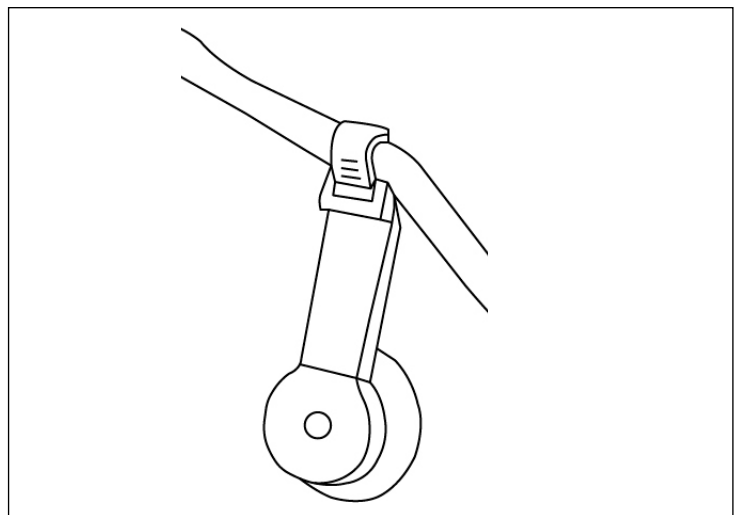
1. Remove the OE bumper (see Jeep documentation for instructions, if needed).



2. Remove the harness connectors from the sensors on the OE bumper. There's a gray clip on each one that can be pried backwards with a pick or screwdriver. Press the clip towards the wiring and pull the connector off. Repeat for all four of the sensors.



3. Once all connectors are disconnected, use a flat-blade screwdriver to pop all the harness fasteners off the bumper. Remove the harness and set it aside. Label each sensor on the OE bumper (outer left, inner left, inner right, outer right) with a sharpie or by other means.

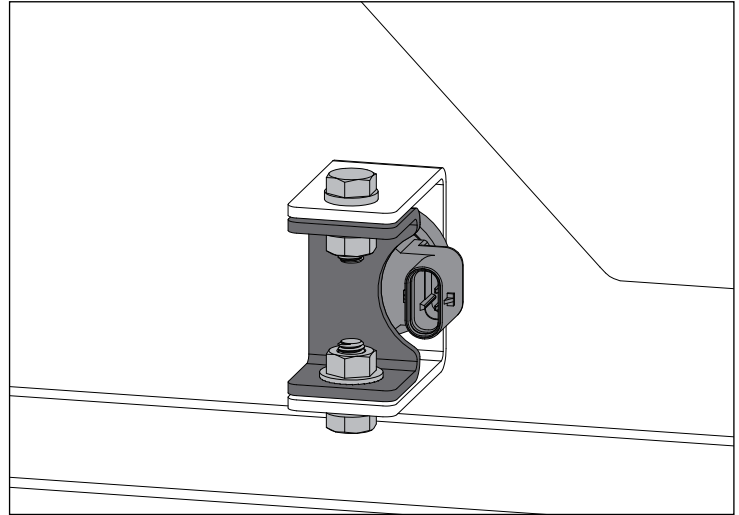


Rugged Ridge HD Rear Bumper, JT

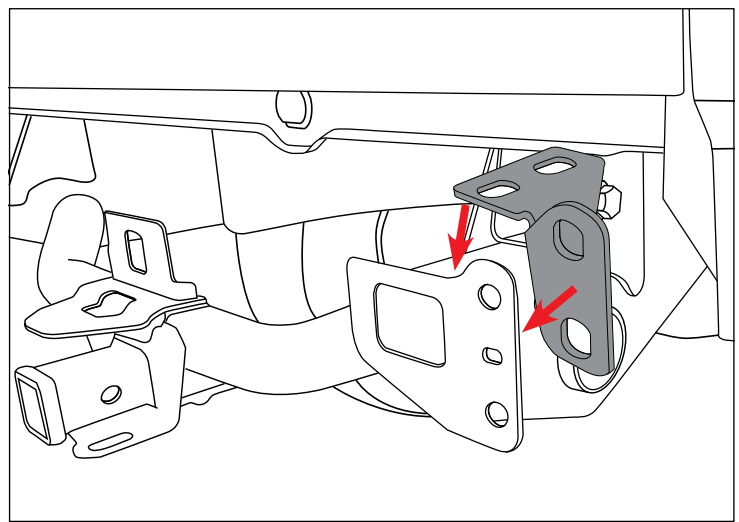
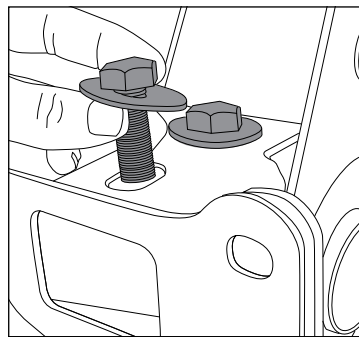
4. Pre-install the rear back-up sensors to the HD Rear Bumper. In the OE bumper the sensor was installed using an inner and outer ring. The HD bumper does not use the rings to mount, remove any of the rings from the sensors. Each sensor will lock into the grooves of the HD Bumper. With sensor locked into the grooves of the bumper place rear bracket against the back of the sensor. Now use the M6 hardware to mount this bracket.

Attach all four sensors. Route the wire harness so it won't be pinched during installation.

Keep in mind you also have the rear tag light plug to adapt to the tag light of your choice.



5. Install Frame Mounting Brackets over the frame rails on both sides. Install M14 bolts, washers and nuts at the top of the frame rail.



6. Carefully place bumper on the frame rail brackets. This is best done with an assistant. Be aware of protecting the paint and body of your Jeep. Once the bumper is resting on the brackets and hitch tab have the bumper held in place and insert the M14 hardware through the bumper and brackets. Adjust bumper to make level and equal gaps to the body, now fully tighten all hardware.

Press in trailer light harness. On the back side of the harness assure the steel tabs are open holding it in place. It may require prying with a screwdriver to fully secure. Plug all the back-up sensors, tag lights, light harness and zip tie all the wires away.

