



**IMPORTANT NOTICE!**  
**PLEASE READ FIRST BEFORE INSTALLING SPEAKERS**

Congratulations on your purchase of high quality speakers from Alpine. Your listening satisfaction is important to us. In order to maximize and maintain peak speaker performance the following guidelines are being provided. Please read this notice carefully before operating the speakers.

- 1. Do not over-drive the amplifier. Over-driving the amplifier will result in distortion or clipping and can damage any speaker.**
- 2. Make sure gain controls are properly set. (Follow instructions in amplifier owner's manual.)**
- 3. Make sure that the speaker is properly rated for the amplifier.**
- 4. Make sure that volume, bass, treble, equalization or crossover settings do not cause the amplifier to over-drive.**

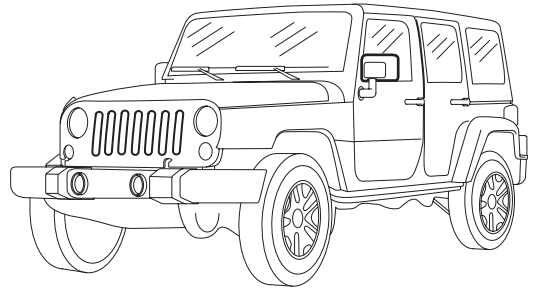
Failure to follow these guidelines may result in burned or damaged speaker voice coils which will void your warranty.

If further assistance is necessary, please contact your Alpine authorized dealer.

# Jeep Wrangler PSS-22WRA Sound System Installation Manual

- Model: 4-Door Wrangler Unlimited JK
- Model Year: 2011 – 2018

**\*Not compatible with factory amplified systems**  
**\*\*Not compatible with manual transmission models**



| Model                   | Year        |
|-------------------------|-------------|
| Jeep Wrangler Unlimited | 2011 – 2018 |

\* The specified vehicles have been tested and have met compatibility specs at the time of testing. Compatibility is not guaranteed if the manufacturer has made production changes to the listed vehicles above.

**⚠ Warning: Before you begin, remove the ground wire from the NEGATIVE (-) terminal of the battery. Failing to do so can lead to electric shock, injury or damage to equipment.**

## Introduction

- Congratulations on purchasing the PSS-22WRA. This installation manual is designed to take you through the step-by-step installation of the PSS-22WRA into a 2011 - 2018 Jeep Wrangler Unlimited. Please familiarize yourself with the owner’s manual and if you still have additional questions please call 1-800-TECH-101.



## Note

- Design and specifications are subject to change without notice for improvement.





## To Ensure Safe Use Always Follow These Precautions

- The installation of this product requires specialized skills and experience. We recommend that you have the product installed by an Alpine authorized dealer.
- Before you use this product, be sure to carefully read this installation manual and the separate user's manual so that you can use the product correctly. Alpine Electronics bears no responsibility for problems that arise as a result of failure to follow the instructions in the manuals.
- This manual includes a number of symbols that are intended to help you use the product safely, to prevent harm to you and others, and to protect against damage to property. These symbols and their meanings are listed below. Make sure you fully understand these symbols before you begin reading the main text.

### Explanations of Injury and Damage That May Result from Incorrect Use

|  |   |
|--|---|
|  <b>Warning</b> | Ignoring the content marked by this indication and using the product incorrectly may lead to death or serious injury.   |
|  <b>Caution</b> | Ignoring the content marked by this indication and using the product incorrectly may lead to injury or property damage. |

## Types of Precautions

|  |  |
|--|--|
| <br>Forbidder | Indicates actions that are forbidden (must not be performed) |
| <br>Forbidder | Indicates that disassembly is forbidden.                     |
| <br>Mandatory | Indicates actions that are mandatory (must be performed)     |
|               | Marks content that should receive your full attention.       |

### Warning

Do not disassemble or modify the product. Doing so could lead to an accident fire or electric shock.



Store screws and other small objects where small children cannot reach them. If one of these small objects is swallowed, consult with a doctor immediately.



When replacing fuses, be sure to use fuses with the specified current rating. Failing to do so could lead to an accident or fire.



Only connect the product to a 12 VDC negative ground car. Failing to do so could lead to an accident or fire.



Before you begin wiring, remove the ground wire from the negative terminal of the battery. Failing to do so could lead to electric shock or injury.



Do not cut the insulation on a cord and take power from another device. Doing so could lead to fire or electric shock.



Do not install the product in a location where it will obstruct the driver's forward view; interfere with the operation of the steering wheel, gearshift, or the like; or pose a threat to passengers. Doing so could lead to an accident or injury.



When making a hole in the vehicle body, be careful to avoid damaging pipes, the fuel tank, electrical wiring, and the like. This kind of damage could lead to an accident or fire.



When installing and grounding the product, do not use any of the bolts or nuts of the steering wheel, brakes, fuel tank, or the like. Doing so could make the brakes stop working or lead to fire.



Do not install the product near the passenger-side airbag. Doing so could interfere with the operation of the airbag and lead to an accident or injury.



Bundle cords so that they don't interfere with driving. Wrapping cords around the steering wheel, gearshift, brake pedal, or the like, could lead to an accident or damage equipment.



### Caution

Connect the product properly according to the instructions. Failing to do so could lead to fire or an accident.



Do not sandwich cords between the seat railing or allow them to touch protrusions. Resulting breaks or shorts could lead to electric shock or fire.



Do not block vents or heat sinks. Doing so could lead to fire or damage equipment.



Use the accessories according to the instructions, and attach them securely. Failing to do so could lead to an accident or damage equipment.




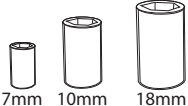
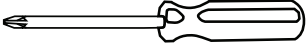
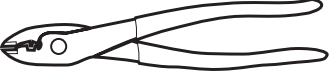
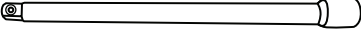
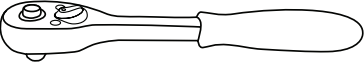
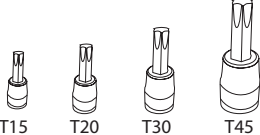
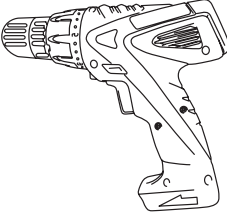
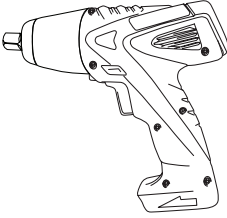
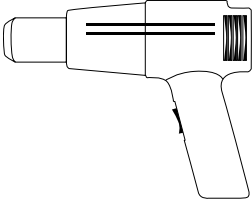
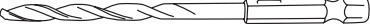
Do not install the product where it may be exposed to water or in a place with high levels of humidity or dust. Doing so could lead to fire or damage equipment.



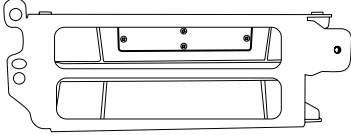
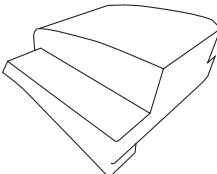

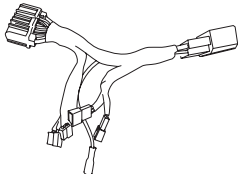

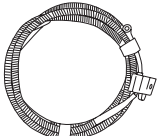
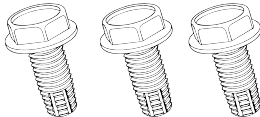

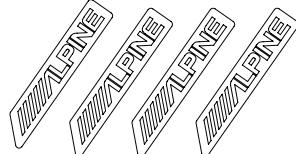
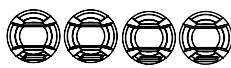
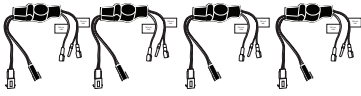
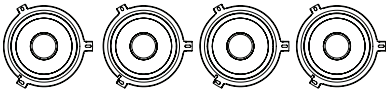
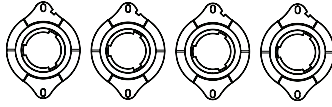
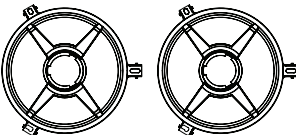
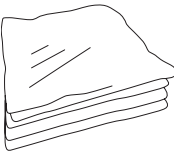
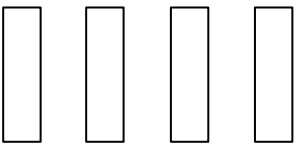
The installation and wiring of this product requires specialized skills and experience. Have the product installed by an Alpine authorized dealer.



## Tools Required

|  |  |   |
|--|--|---|
| <p><b>Panel Removal Tool</b></p>   | <p><b>Sockets</b></p>  | <p><b>Phillips Screwdriver</b></p>  |
|                         |  <p>7mm 10mm 18mm</p> |   |
| <p><b>Wire Cutters</b></p>   | <p><b>Extension</b></p>  | <p><b>Ratchet</b></p>   |
|                         |                       |   |
| <p><b>Torx</b></p>   | <p><b>Cordless Power Drill</b></p>   | <p><b>Cordless Impact Gun</b></p>   |
|  <p>T15 T20 T30 T45</p> |                       |  |
| <p><b>Heat Gun</b></p>   | <p><b>9/32" Drill Bit</b></p>  |   |
|                        |                     |   |

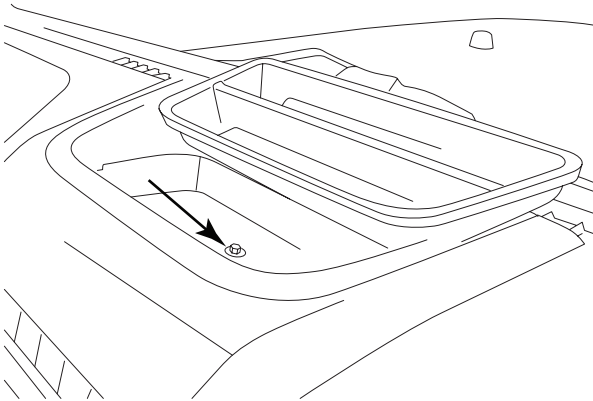
## Accessory List

|  |   |  |
|--|---|--|
| <p><b>Amplifier Assembly</b></p>    | <p><b>Subwoofer Enclosure</b></p>    | <p><b>Main Harness</b></p>            |
| <p><b>T-Harness</b></p>   | <p><b>RCA Adapter</b></p>    | <p><b>Power Cable</b></p>             |
| <p><b>(3) 10-24 3/4" Hex Washer Head Screws</b></p>                      | <p><b>(10) Cable Ties</b></p>   | <p><b>(4) Alpine Logo Badges</b></p>  |
| <p><b>(4) Tweeters</b></p>    | <p><b>(4) Tweeter Crossovers</b></p>   | <p><b>(4) 6.5" Woofers</b></p>       |
| <p><b>(4) Tweeter Adapter Plates (for 2015 – 2017 models only)</b></p>  | <p><b>(2) Tweeter Bridge Grille Adapter (for 2007–2014 models only)</b></p>  | <p><b>(4) Polyfill sheets</b></p>   |
| <p><b>(4) Foam Strips</b></p>   |   |  |

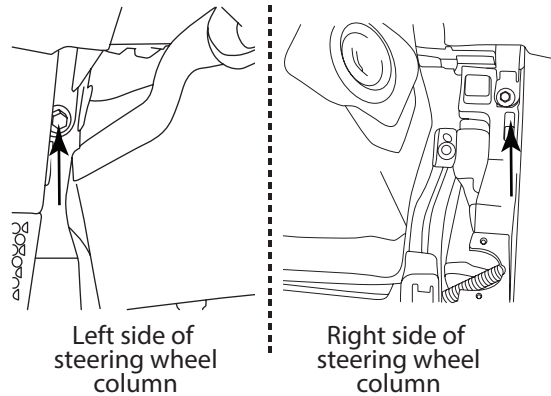
## Factory Equipment Removal Process 2011 – 2018 Models

### Radio

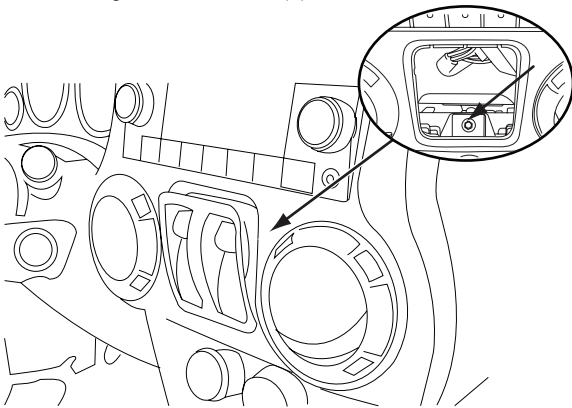
- 1** Remove the rubber cover from the top storage area and extract (1) 7mm screw.



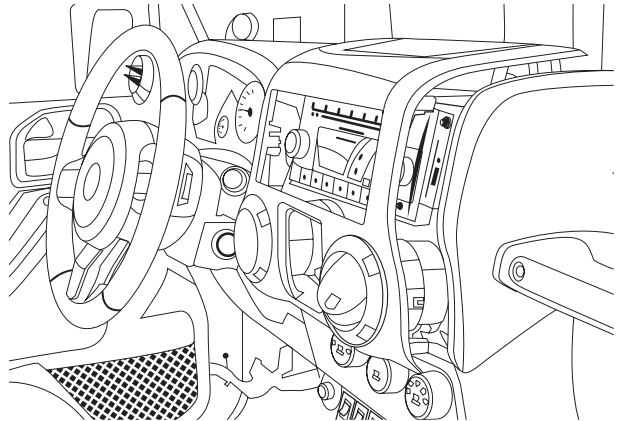
- 2** Remove the knee cover panel and extract (2) 7mm screws located to the right and left sides of the steering wheel column.



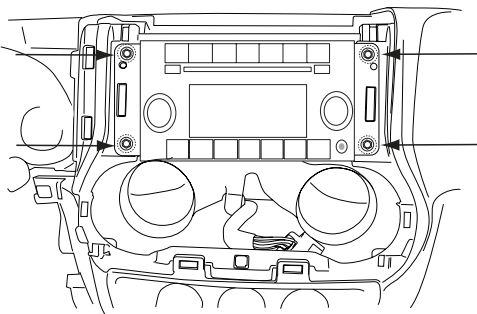
- 3** Remove the window switch pod using a panel removing tool and extract (1) 7mm screw.



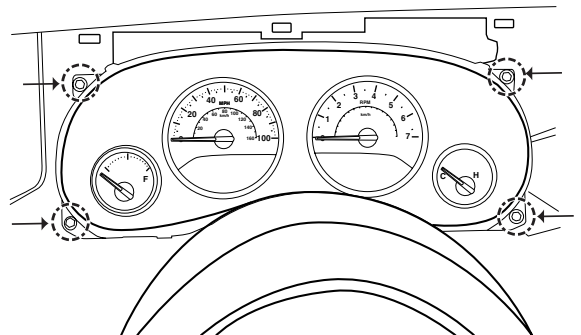
- 4** Remove the dash panel.



- 5** Extract (4) 7mm screws and remove the factory radio.



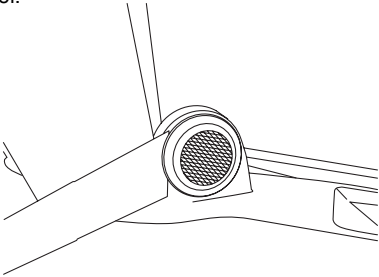
- 6** Extract (4) 7mm screws and remove the instrument cluster.



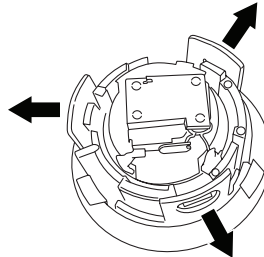
**Factory Equipment Removal Process 2011 – 2014 Models**

**Tweeters**

- 1** Remove the top dash tweeter using a panel removal tool.



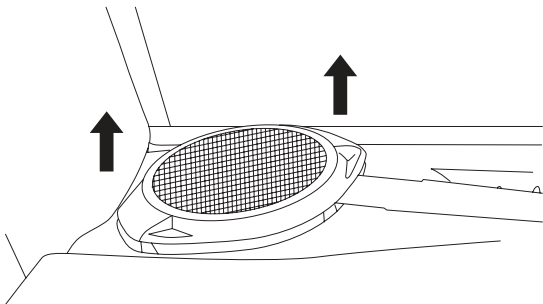
- 2** Gently open the (3) lock tabs to release the factory tweeter.



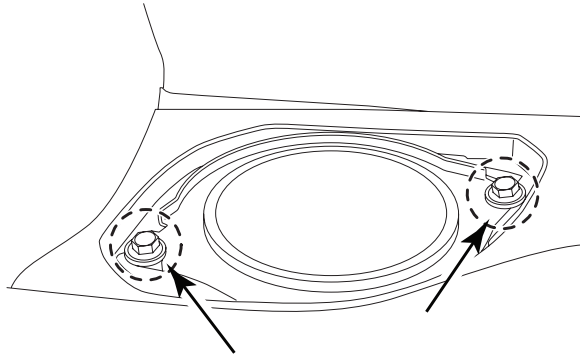
**Factory Equipment Removal Process 2015 – 2018 Models**

**Top Dash Speakers**

- 1** Remove the top dash tweeter using a panel removal tool.

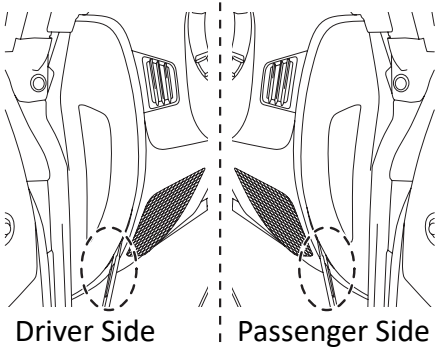


- 2** Using a 7mm socket remove (2) screws, disconnect and remove the factory speakers.

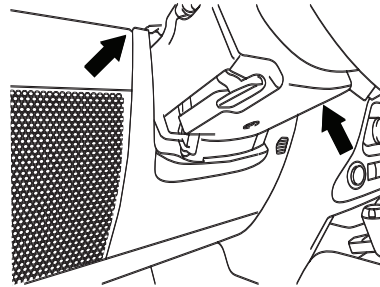


## Front Lower Dash Speaker Removal

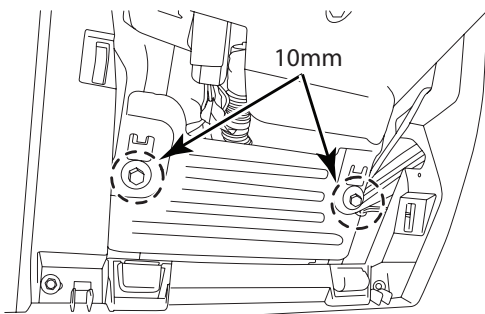
- 1** Using a panel removing tools, remove the dash side covers by each door.



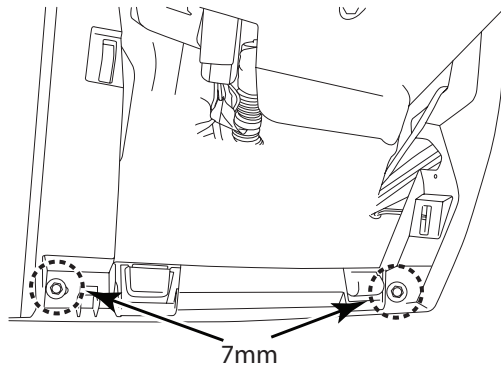
- 2** Remove the driver side knee cover by releasing the (2) top clips.



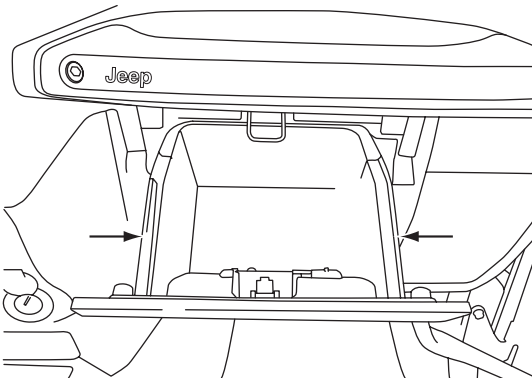
- 3** Extract (2) 10mm screws from the metal steering wheel column cover and remove it.



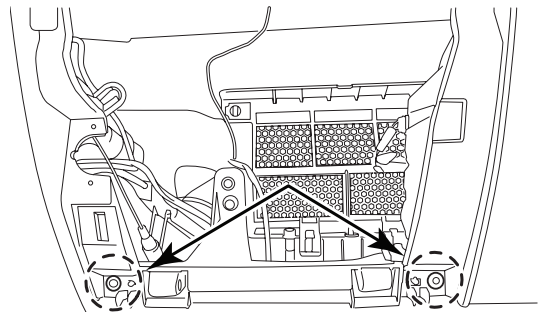
- 4** Extract (2) 7mm screws from the lower dash.



- 5** Remove glove box by pushing both left and right sides inwards.



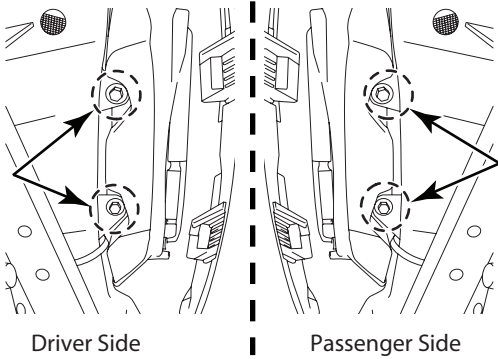
- 6** Extract (2) 7mm screws located on the lower dash section.



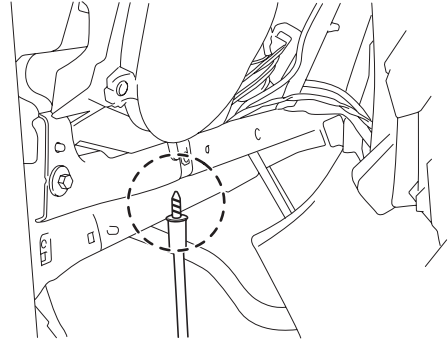


### Front Lower Dash Speaker Removal (continued)

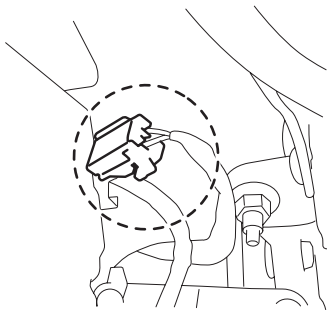
- 7 Extract (2) 7mm screws from the side of each respective dash enclosure.



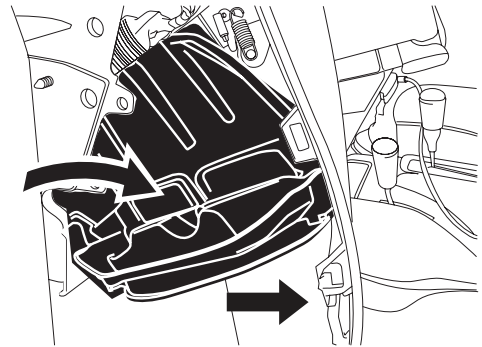
- 8 Remove (1) 10mm screws from under the each enclosure.



- 9 Disconnect the speaker enclosure (connector located on the back)

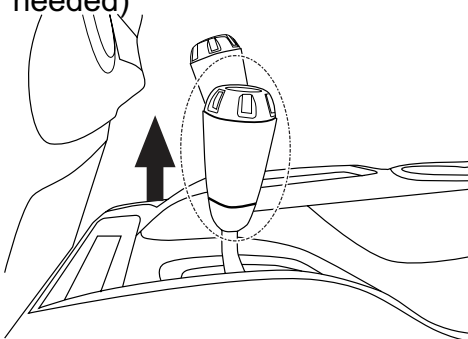


- 10 Pull the dash towards the back of the vehicle and remove the enclosure by turning towards the back.

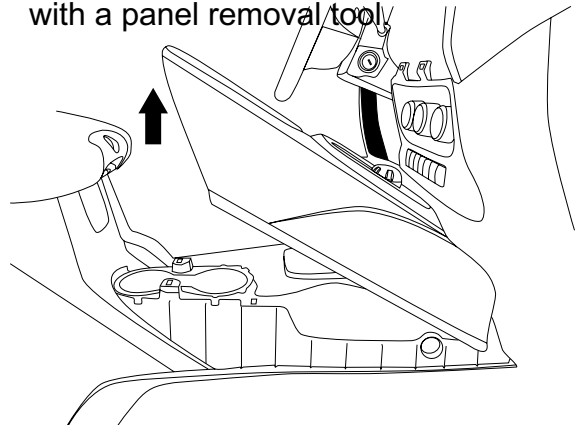


### Center Console Shifter Panel Removal

- 1 Remove the transfer case shifter knob by pulling up. (some force may be needed)

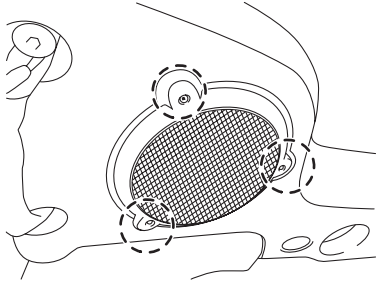


- 2 Remove the shifter panel by carefully pulling upward and releasing the clips with a panel removal tool.

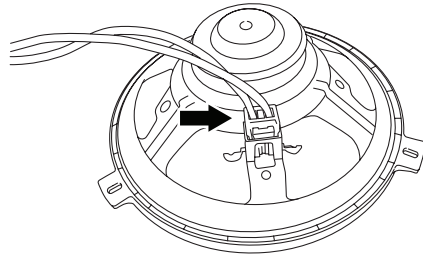


### Sound Bar Speaker Removal 2011 - 2014

1. Remove (3) T15 Torx screws from the speaker grills.

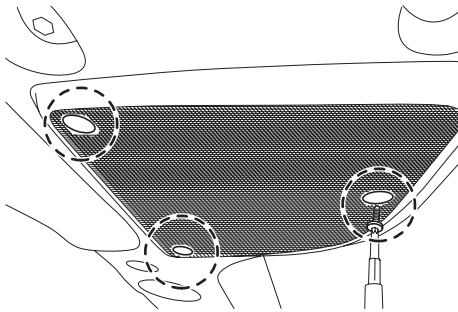


2. Disconnect and remove the factory speaker.

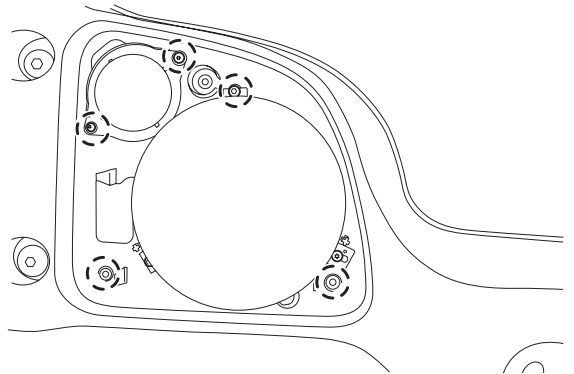


### Sound Bar Speaker Removal 2015 - 2018

1. Remove (3) T20 Torx screws from the speaker grill.

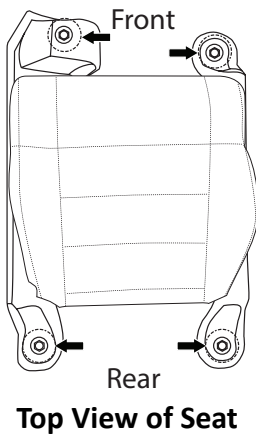


2. Remove (5) T20 Torx screws, disconnect and remove both speakers.

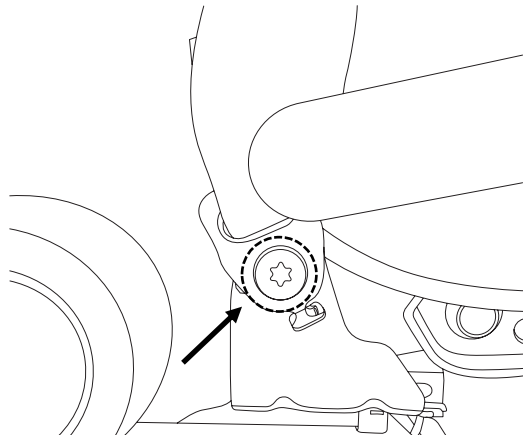


### Passenger Side Seat Removal All Models

1 Using a 18mm socket, extract the (4) seat bolts from the passenger side seat.

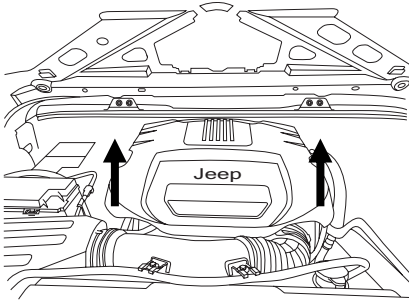


2 Using a T45 Torx extract (1) bolt from the seat belt anchor.

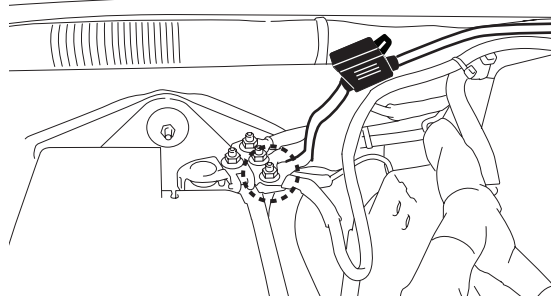


## Amplifier Installation

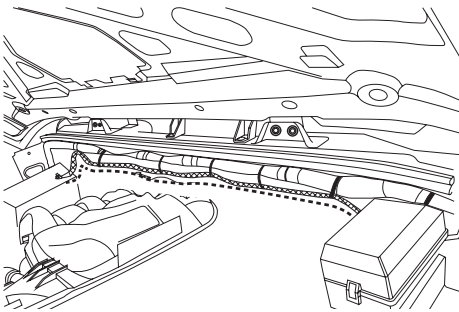
- 1 Lift the engine cover and pull towards the front of the vehicle to remove it.



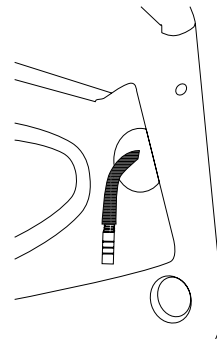
- 2 Use a 10mm socket to connect the power cable to the POSITIVE (+) battery terminal. **Note: The NEGATIVE terminal should remain disconnected until the installation is completed.**



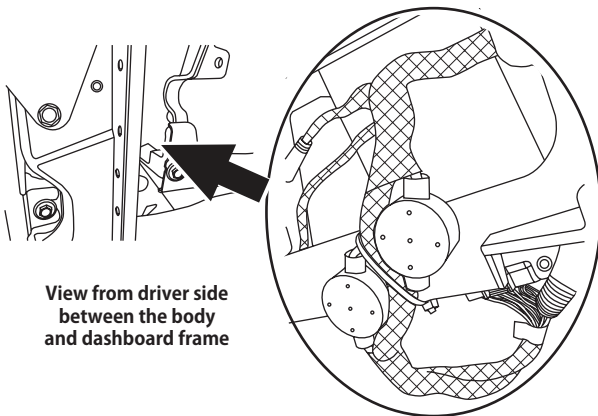
- 3 Route the power cable following the OEM harness and secure it with the cable ties provided as shown below.



- 4 Route the power cable through the blank grommet on the firewall on the drivers side.

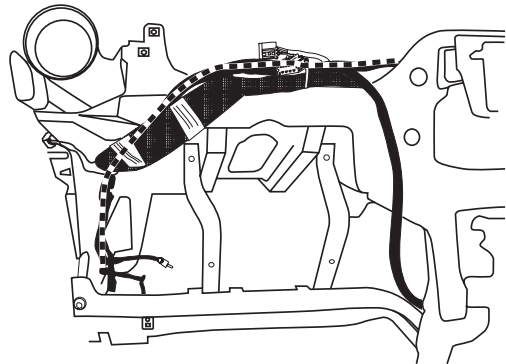


- 5 Use the supplied cable ties to secure the main harness to the dashboard frame with the inductors between the vehicle's body and dash board frame.



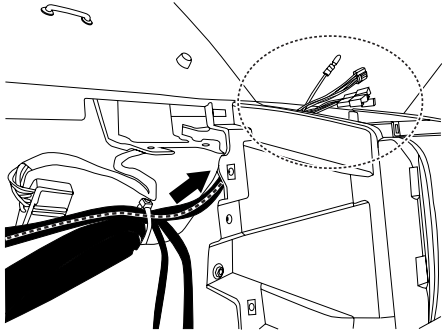
View from driver side  
between the body  
and dashboard frame

- 6 Route the amplifier main harness up to the cluster area following the OEM harness. (Shown in dashed line)

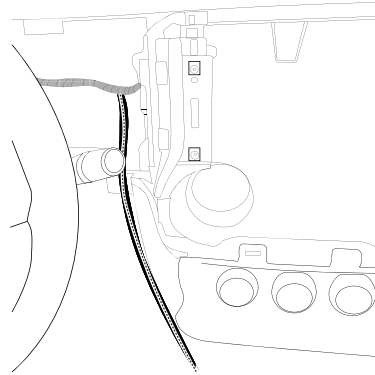


## Amplifier Installation (continued)

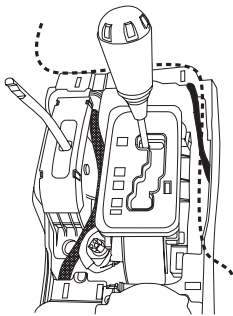
- 7** Route the In/Out audio connections behind the dash frame to the radio location. Make all the necessary connections based on your system configuration see pages 17, 18 or 19.



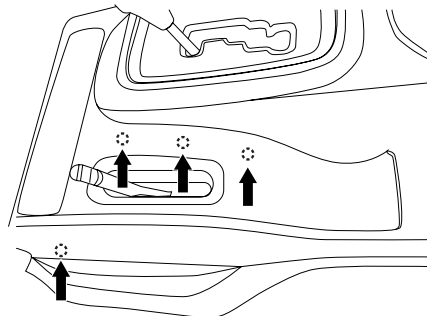
- 8** Route the subwoofer cable and bass level knob down to the center console.



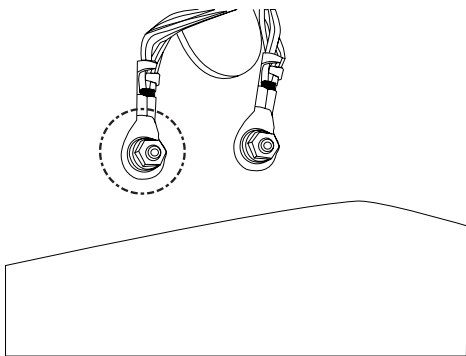
- 9** Route the subwoofer cable across the center console over to the passenger side seat.



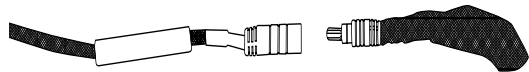
- 10** Mount the bass level knob in one of the suggested locations. Use a drill bit size 9/32".



- 11** Use a 10mm socket to mount main harness ground terminal to the OEM chassis ground above the kick panel.

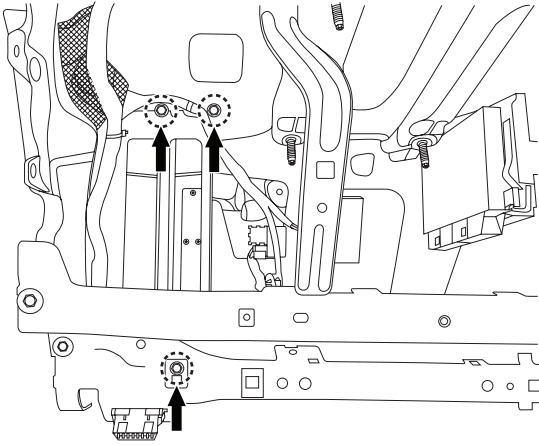


- 12** Insert the supplied water proof shrink tube into the Power cable. Connect the female connector on the power cable to the male connector on the main harness and shrink the tube using a heat gun.

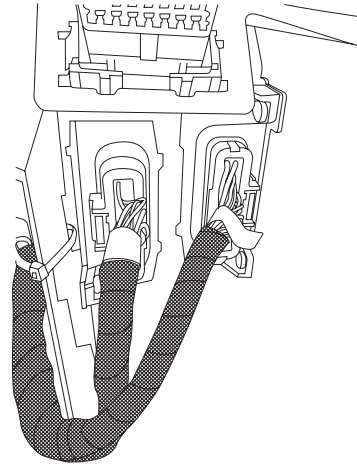


## Amplifier Installation (continued)

- 13** Use an impact gun to mount the amplifier assembly with the supplied (3) Hex head screws.

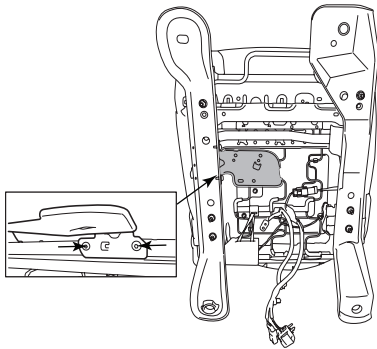


- 14** Connect both amplifiers **Note: Be sure to insert the corresponding connector into each amplifier.**

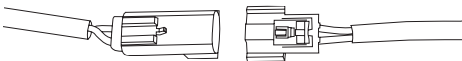


## Subwoofer Installation

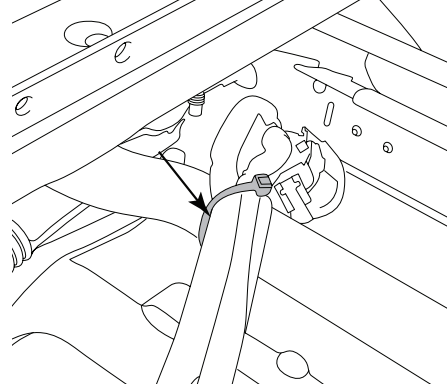
- 1** Using a T30 Torx, remove the OEM harness mounting plate as shown below. Use a panel removing tool to remove the two plugs from the mounting plate.



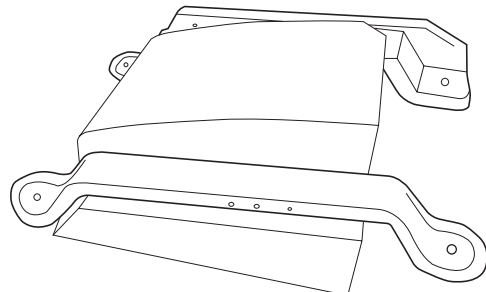
- 3** Connect the subwoofer to the main harness.



- 2** Secure the connector plugs using cable ties to the left side of the seat as shown below.

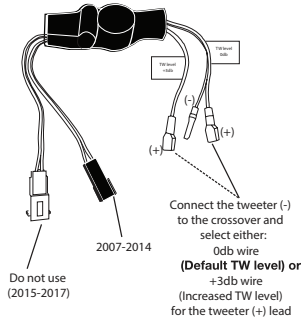


- 4** Place the passenger seat over the enclosure while carefully aligning the enclosure in between the seat rails. Mount using (4) 18mm seat bolts.

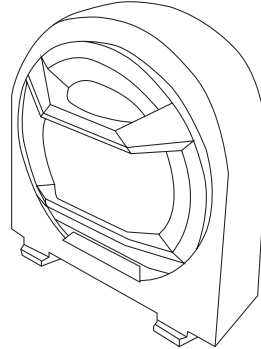


## Front Speaker (Tweeters) Installation 2011 – 2014 Models

- 1 Select the (2011-2014) crossover input wires and connect to the vehicle plug. Connect tweeter connectors. Secure the crossover.  
**Note: 2015-2017 input plug is not used.**

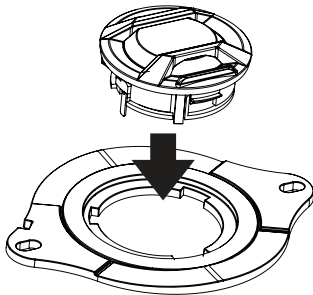


- 2 Guide the tweeter in the opening and press into place.

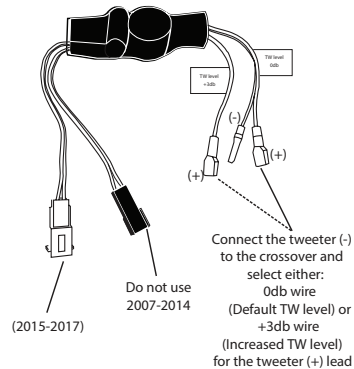


## Front Speaker (Tweeters) Installation 2015 – 2018 Models

- 1 Press the tweeter into the 3.5" tweeter adapter.

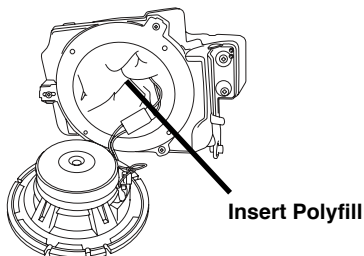


- 2 Select the (2015-2018) crossover input wires and connect to the vehicle plug. Connect tweeter connectors. Secure the crossover.  
**Note: 2011-2014 input plug is not used.**

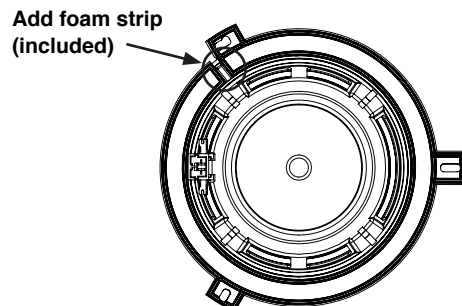


## Front Speaker (Woofers) Installation 2011 – 2018 Models

- 1 Remove the speaker by extracting the (3) factory screws. (Save screws for later). Cut a slit in the center of the polyfill, and pull the vehicle plug through. Insert the excess polyfill into the enclosure. **Note: Installation of polyfill is needed for optimum sound.**

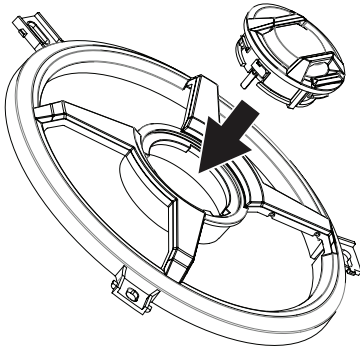


- 2 Add the foam strip, connect the vehicle plug to the speaker.
  1. Install using the reverse procedure
  2. Repeat for the opposite side

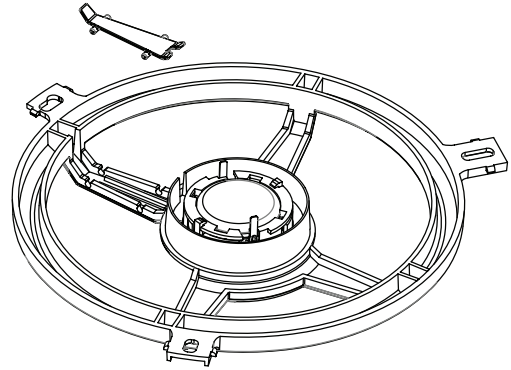


## Rear Sound Bar Speaker Installation 2011 – 2014 Models

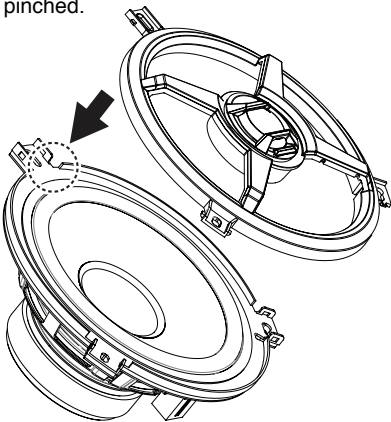
- 1** Press the tweeter into the tweeter bridge grille adapter. Observe the tab orientation.



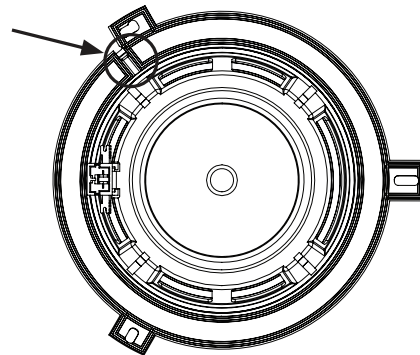
- 2** Route the tweeter wires through the grille by removing the wire cover. Ensure the wires do not get pinched when reinstalling the wire cover.



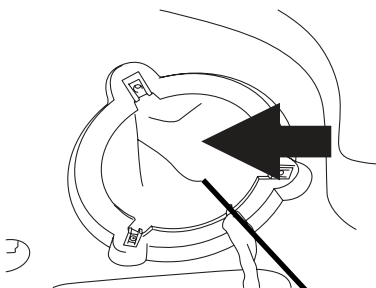
- 3** Route the wire through the notch on the basket, then press the grille into place. Ensure the wires do not get pinched.



- 4** Add foam strip on top of wires in channel.

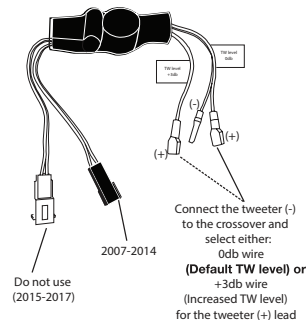


- 5** Cut a slit in the center of the polyfill, and pull the vehicle plug through. then insert the excess polyfill into the sound bar enclosure. **Note: Installation of polyfill is needed for optimum sound.**



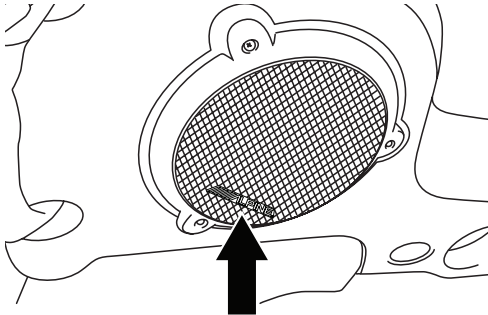
Insert Polyfill

- 6** Select the (2011-2014) crossover input wires and connect to the vehicle plug. Connect tweeter connectors. Secure the crossover. **Note: 2015-2017 input plug is not used.**

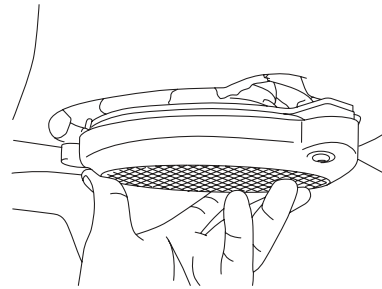


## Rear Sound Bar Speaker Installation 2011 – 2014 Models (continued)

- 7** Clean the factory grille surface and apply the Alpine Badges.

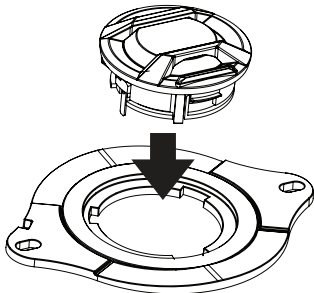


- 8** Align the factory speaker grille over the tweeter bridge grille adapter tabs, connect the vehicle plug to the speaker and mount to the sound bar using the (3) T15 Torx screws.

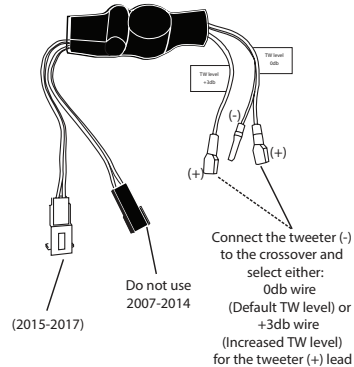


## Rear Sound Bar Speaker Installation 2015 – 2018 Models

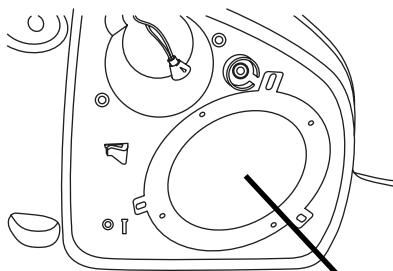
- 1** Press the tweeter into the 3.5" tweeter adapter.



- 2** Select the (2015-2018) crossover input wires and connect to the vehicle plug. Connect tweeter connectors. Secure the crossover.  
**Note: 2011-2014 input plug is not used.**



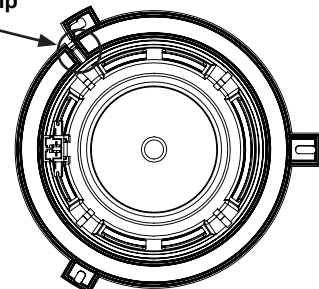
- 3** Cut a slit in the center of the polyfill, and pull the vehicle plug through. then insert the excess polyfill into the sound bar enclosure. **Note: Installation of polyfill is needed for optimum sound.**



Insert Polyfill

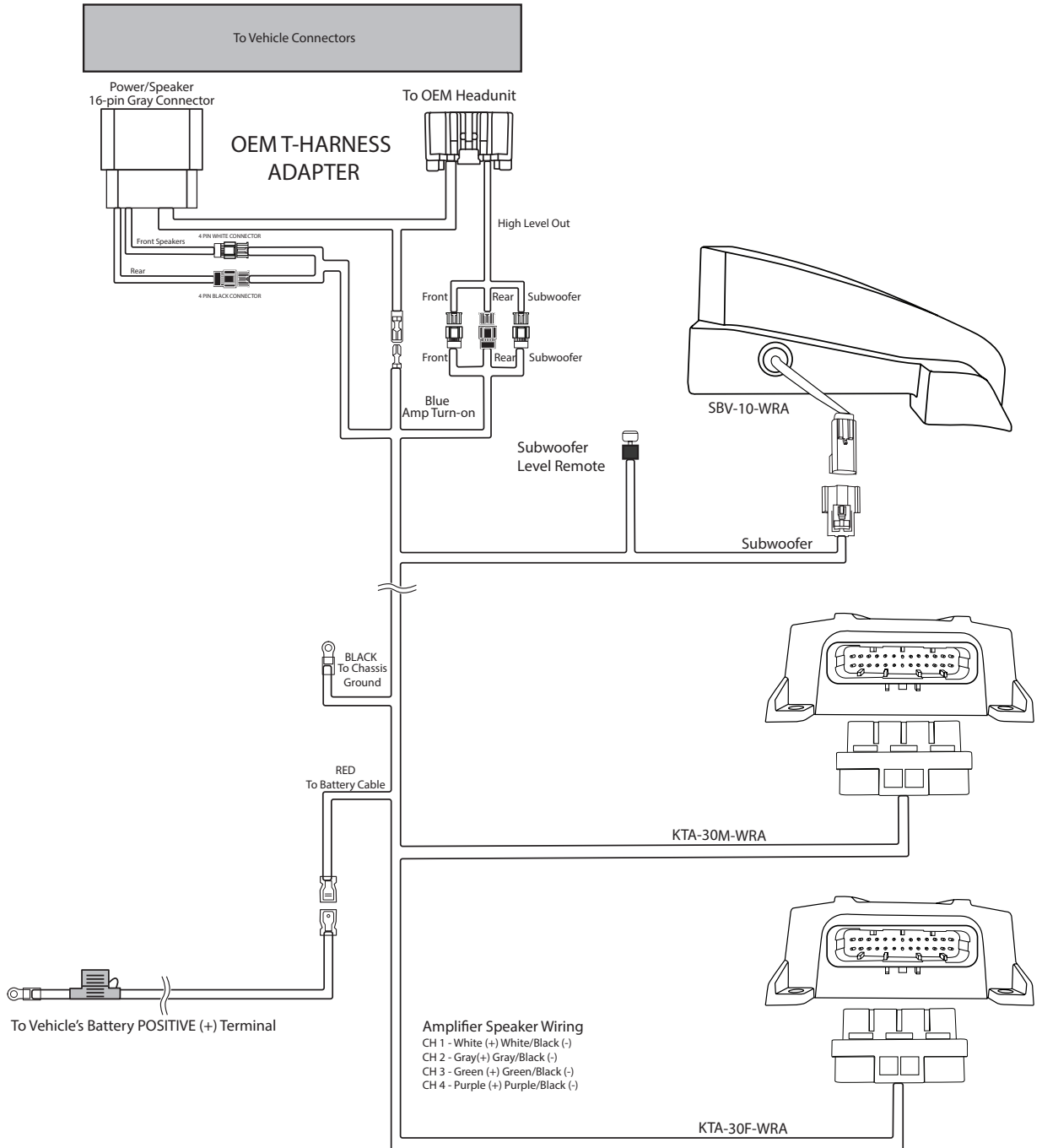
- 4** Add the foam strip, connect the vehicle plug to the speaker.  
1. Install using the reverse procedure  
2. Repeat for the opposite side

Add foam strip (included)



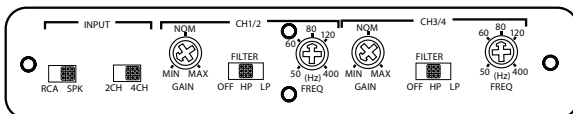


## PSS-22WRA WIRING DIAGRAM FOR FACTORY HEADUNIT

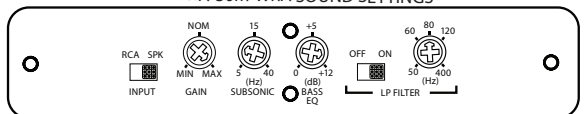


**Amplifier Speaker Wiring**  
 CH 1 - White (+) White/Black (-)  
 CH 2 - Gray(+) Gray/Black (-)  
 CH 3 - Green (+) Green/Black (-)  
 CH 4 - Purple (+) Purple/Black (-)

### KTA-30F-WRA SOUND SETTINGS

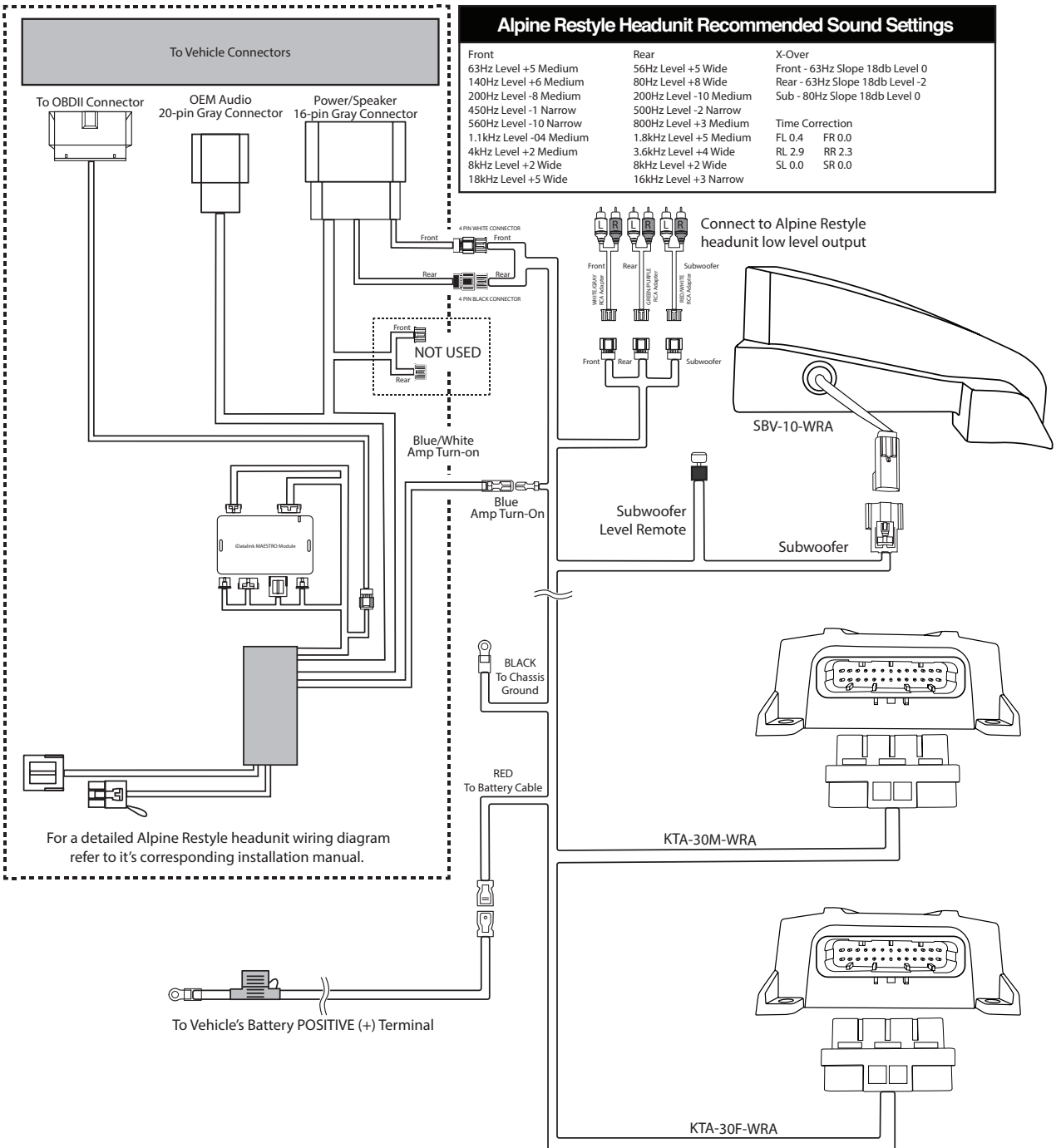


### KTA-30M-WRA SOUND SETTINGS



NOTE: FOR BEST PERFORMANCE SET AMPLIFIER AND SUBWOOFER TO RECOMMENDED SETTINGS AS SHOWN ABOVE

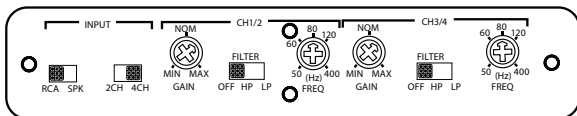
### PSS-22WRA WIRING DIAGRAM FOR ALPINE RESTYLE HEADUNIT



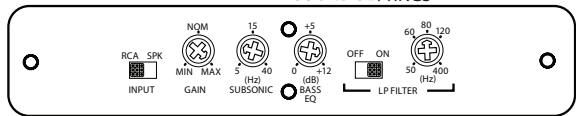
| Alpine Restyle Headunit Recommended Sound Settings |                        |                                 |
|--|------------------------|---------------------------------|
| <b>Front</b>                                       | <b>Rear</b>            | <b>X-Over</b>                   |
| 63Hz Level +5 Medium                               | 56Hz Level +5 Wide     | Front - 63Hz Slope 18db Level 0 |
| 140Hz Level +6 Medium                              | 80Hz Level +8 Wide     | Rear - 63Hz Slope 18db Level -2 |
| 200Hz Level -8 Medium                              | 200Hz Level -10 Medium | Sub - 80Hz Slope 18db Level 0   |
| 450Hz Level -1 Narrow                              | 500Hz Level -2 Narrow  | <b>Time Correction</b>          |
| 560Hz Level -10 Narrow                             | 800Hz Level +3 Medium  | FL 0.4 FR 0.0                   |
| 1.1kHz Level -04 Medium                            | 1.8kHz Level +5 Medium | RL 2.9 RR 2.3                   |
| 4kHz Level +2 Medium                               | 3.6kHz Level +4 Wide   | SL 0.0 SR 0.0                   |
| 8kHz Level +2 Wide                                 | 8kHz Level +2 Wide     |                                 |
| 18kHz Level +5 Wide                                | 16kHz Level +3 Narrow  |                                 |

For a detailed Alpine Restyle headunit wiring diagram refer to it's corresponding installation manual.

KTA-30F-WRA SOUND SETTINGS

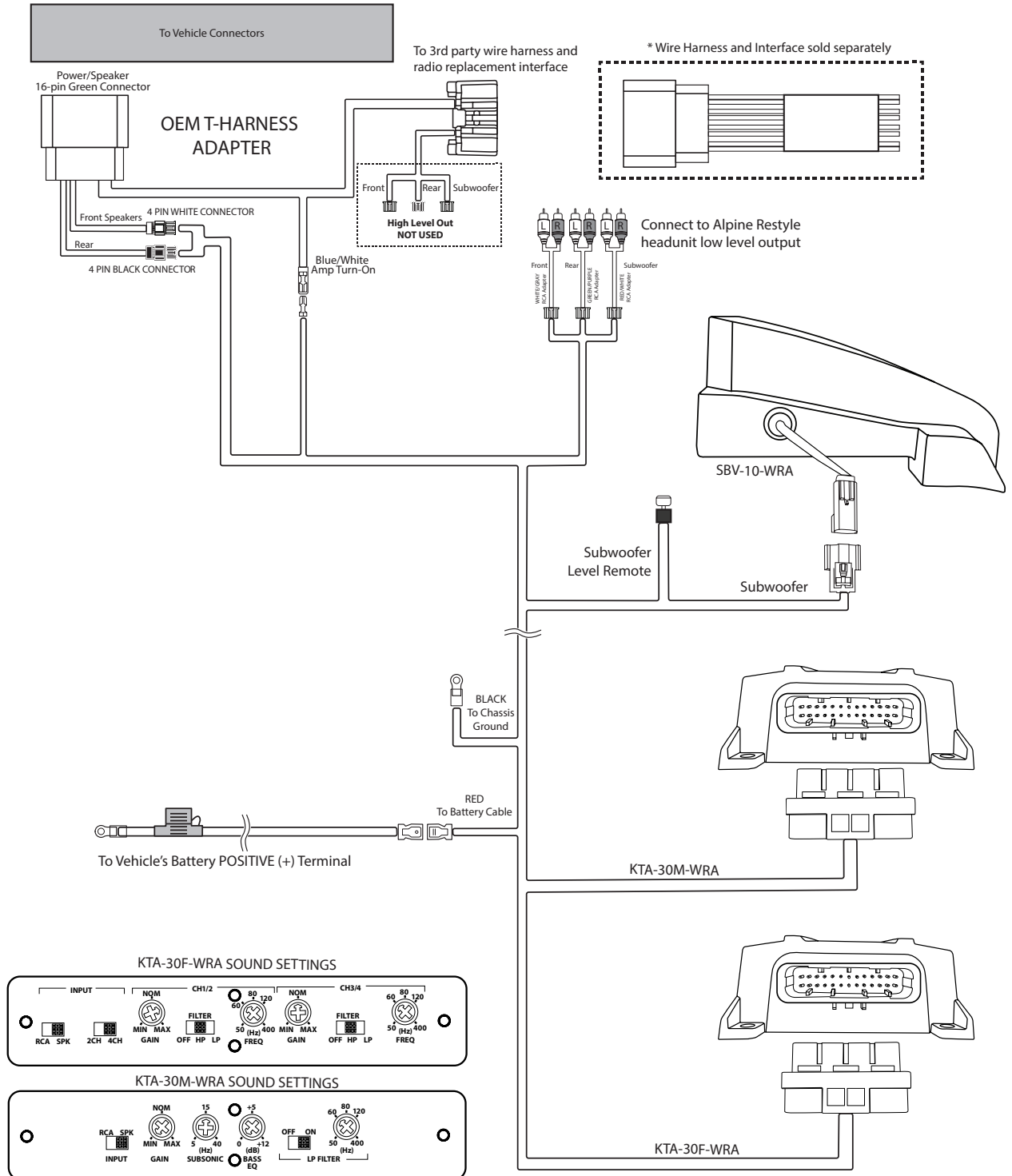


KTA-30M-WRA SOUND SETTINGS



NOTE: FOR BEST PERFORMANCE SET AMPLIFIER AND SUBWOOFER TO RECOMMENDED SETTINGS AS SHOWN ABOVE

## PSS-22WRA WIRING DIAGRAM FOR AFTER MARKET HEADUNIT



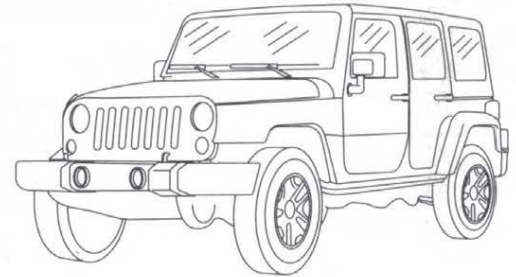
**NOTE: FOR BEST PERFORMANCE SET AMPLIFIER AND SUBWOOFER TO RECOMMENDED SETTINGS AS SHOWN ABOVE**

## Troubleshooting Guide

| Symptom |   | Possible Cause   | Remedy   |
|---------|---|--|--|
| 1       | System will not turn on                       | Missing or blown fuse at the battery                           | Insert or replace fuse   |
|         |   | Radio's Remote Turn-On wire may be disconnected.               | Verify that Remote Turn-On wire is connected.  |
| 2       | Volume is too loud with aftermarket headunit. | Speaker level out is connected at the T-Harness.               | Ensure that the low level RCA adapters are use in aftermarket headunit system (refer to the corresponding wiring diagram).           |
|         |   | Amplifiers gain control has not been properly adjusted.        | Refer to the corresponding system diagram.   |
| 4       | Subwoofer sounds very low.                    | Gain level may be down to the lowest setting.                  | Adjust level to recommended setting (refer to the corresponding wiring diagram).   |
|         |   | Audio Phase may be reversed.                                   | Ensure that the PHASE is set to 0°.  |
| 5       | One of the speakers has no sound.             | Disconnected pin or loose connection.                          | Check all connections to the speaker, loose pins, disconnected terminals etc..   |
| 6       | Airbag light is on                            | Failed to disconnect the battery while working on the vehicle. | Disconnect the battery and re-connect after 5 minutes. If problem is not solved, the vehicle will have to be taken to a Jeep dealer. |
| 7       | System turns on only on radio source          | Aftermarket Power Antenna wire is connected to amp             | Connect the Remote Turn-On wire (Blue/White) to the Blue wire on the amplifier harness.  |

2 7A

# SPV-65X-WRA 6.5" 2-Way Component System Front or Soundbar Installation Manual



## Jeep Wrangler (JK) Wrangler Unlimited (JKU)

● Model Year: 2007 – 2018

\* The specified vehicles have been tested and have met compatibility specs at the time of testing. Compatibility is not guaranteed if the manufacturer has made production changes to the listed vehicles above.

**⚠ Warning:** Before you begin wiring, remove the ground wire from the **NEGATIVE (-)** terminal of the battery. Failing to do so can lead to electric shock, injury or damage to equipment.

### Introduction

● Congratulations on purchasing the SPV-65X-WRA. This installation manual is designed to take you through the step-by-step installation of the SPV-65X-WRA into a 2007 - 2018 Jeep Wrangler/Wrangler Unlimited. Please familiarize yourself with the owners manual and if you still have additional questions please call 1-800-TECH-101.

### Note

● Design and specifications are subject to change without notice for improvement.

### To Ensure Safe Use, Always Follow These Precautions

- The installation of this product requires specialized skills and experience. We recommend that you have the product installed by an Alpine authorized dealer.
- Before you use this product, be sure to carefully read this installation manual and the separate user's manual so that you can use the product correctly. Alpine Electronics bears no responsibility for problems that arise as a result of failure to follow the instructions in the manuals.
- This manual includes a number of symbols that are intended to help you use the product safely, to prevent harm to you and others, and to protect against damage to property. These symbols and their meanings are listed below. Make sure you fully understand these symbols before you begin reading the main text.


### Explanations of Injury and Damage That May Result from Incorrect Use


|                |   |
|----------------|---|
| <b>Warning</b> | Ignoring the content marked by this indication and using the product incorrectly may lead to death or serious injury.   |
| <b>Caution</b> | Ignoring the content marked by this indication and using the product incorrectly may lead to injury or property damage. |



**Types of Precautions**

|  |  |
|--|--|
| <br>Forbidden | Indicates actions that are forbidden (must not be performed) |
| <br>Forbidden | Indicates that disassembly is forbidden.                     |
| <br>Mandatory | Indicates actions that are mandatory (must be performed)     |
|               | Marks content that should receive your full attention.       |


 **Warning**


**Do not disassemble or modify the product. Doing so could lead to an accident, fire, or electric shock.**  Forbidden


**Store screws and other small objects where small children cannot reach them. If one of these small objects is swallowed, consult with a doctor immediately.** 


**When replacing fuses, be sure to use fuses with the specified current rating. Failing to do so could lead to an accident or fire.**   Forbidden Mandatory


**Only connect the product to a 12 VDC negative ground car. Failing to do so could lead to an accident or fire.**  Mandatory


**Before you begin wiring, remove the ground wire from the negative terminal of the battery. Failing to do so could lead to electric shock or injury.** 


**Do not cut the insulation on a cord and take power from another device. Doing so could lead to fire or electric shock.**  Forbidden

**Do not install the product in a location where it will obstruct the driver's forward view; interfere with the operation of the steering wheel, gearshift, or the like; or pose a threat to passengers. Doing so could lead to an accident or injury.**  Forbidden


**When making a hole in the vehicle body, be careful to avoid damaging pipes, the fuel tank, electrical wiring, and the like. This kind of damage could lead to an accident or fire.** 


**When installing and grounding the product, do not use any of the bolts or nuts of the steering wheel, brakes, fuel tank, or the like. Doing so could make the brakes stop working or lead to fire.**  Forbidden

**Do not install the product near the passenger-side airbag. Doing so could interfere with the operation of the airbag and lead to an accident or injury.**  Forbidden


**Bundle cords so that they don't interfere with driving. Wrapping cords around the steering wheel, gearshift, brake pedal, or the like, could lead to an accident or damage equipment.** 

 **Caution**


**Connect the product properly according to the instructions. Failing to do so could lead to fire or an accident.**  Forbidden

**Do not sandwich cords between the seat railing or allow them to touch protrusions. Resulting breaks or shorts could lead to electric shock or fire.** 





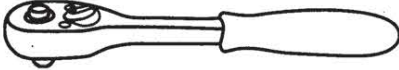
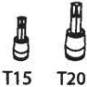
**Do not block vents or heat sinks. Doing so could lead to fire or damage equipment.** 

**Use the accessories according to the instructions, and attach them securely. Failing to do so could lead to an accident or damage equipment.**  Forbidden


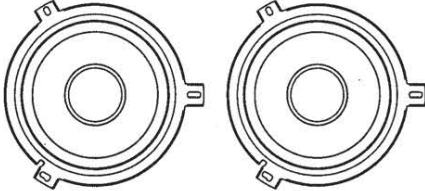
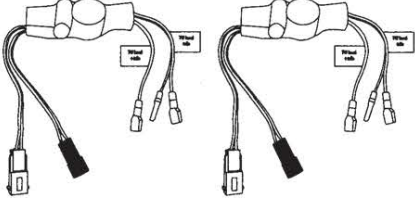
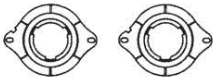
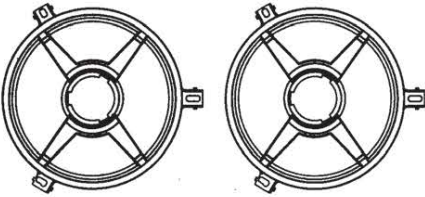
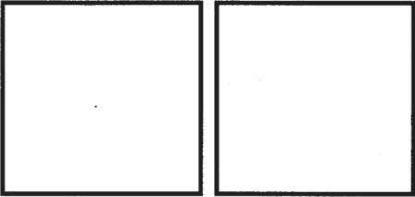
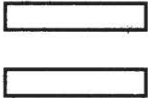

**Do not install the product where it may be exposed to water or in a place with high levels of humidity or dust. Doing so could lead to fire or damage equipment.**  Forbidden

**The installation and wiring of this product requires specialized skills and experience. Have the product installed by an Alpine authorized dealer.** 

**Tools Required**

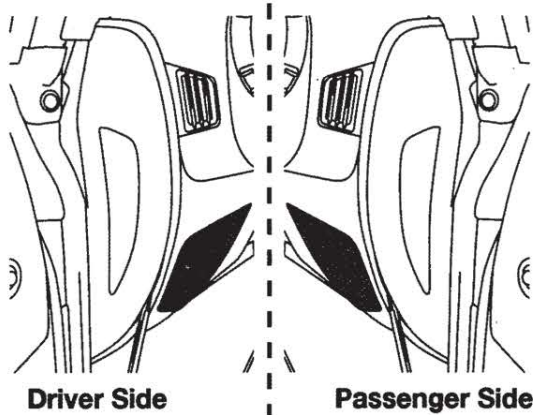
|   |   |   |
|---|---|---|
| <p><b>Panel Removing Tool</b></p>  | <p><b>Sockets</b></p>  <p>7mm 10mm</p> | <p><b>#2 Phillips Screwdriver</b></p>  |
| <p><b>Extension</b></p>   | <p><b>Ratchet</b></p>   | <p><b>Torx</b></p>  |
|                                    |                                       |  <p>T15 T20</p>                        |

**Accessory List**

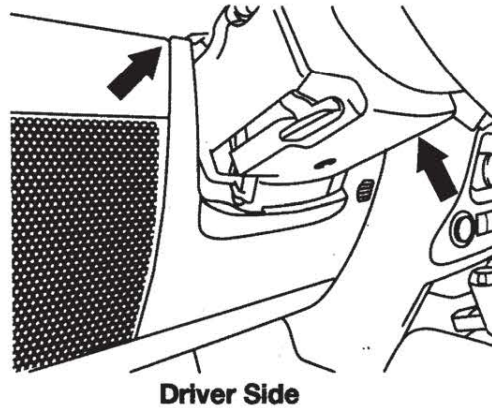
|  |  |   |
|--|--|---|
| <p><b>Tweeters x 2 pcs</b></p>  | <p><b>6.5" Woofers x 2 pcs</b></p>  | <p><b>Crossovers x 2 pcs</b></p>  |
| <p><b>3.5" Tweeter Adapter Plate (2015-2018) x 2 pcs</b></p>   | <p><b>Tweeter Bridge Grille Adapter (2007-2014 Soundbar) x 2 pcs</b></p>   | <p><b>Polyfill sheets x 2 pcs</b></p>   |
|                                 |                                    |                                  |
| <p><b>Foam Strips x 2 pcs</b></p>  | <p><b>Alpine Logo Badges x 2 pcs</b></p>   |   |
|                                 |                                     |   |

## Front Speaker (Woofer) Removal (2007-2018)

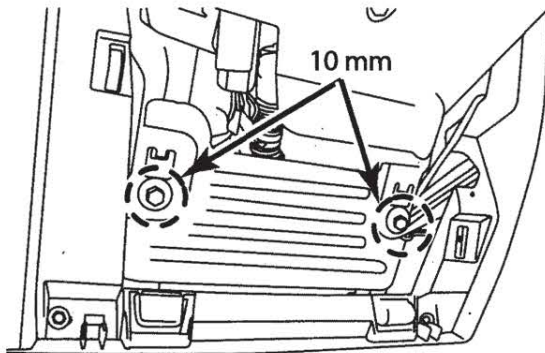
- 1 Using a Panel Removal Tool, remove the dash side covers by each door.



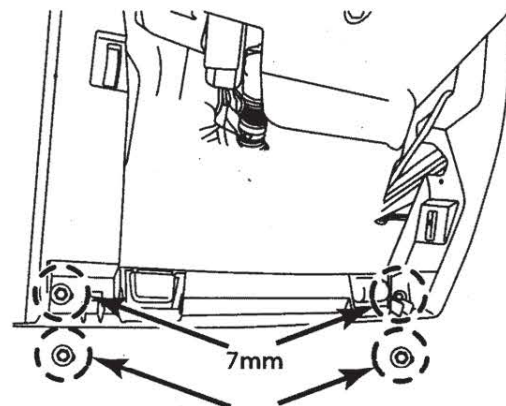
- 2 Remove the driver side knee cover by releasing the (2) top clips.



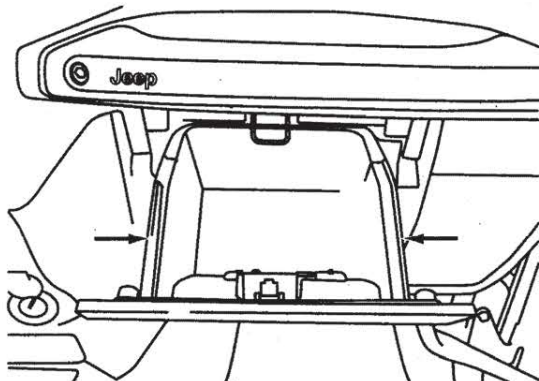
- 3 Extract (2) 10mm bolts from the metal steering wheel column cover and remove it.



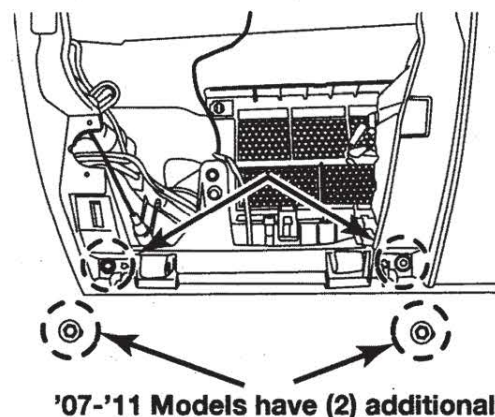
- 4 Extract (2) 7mm bolts from the lower dash. '07 - '11 Models have (4) bolts.



- 5 Remove glove box by pushing both left and right sides inwards.



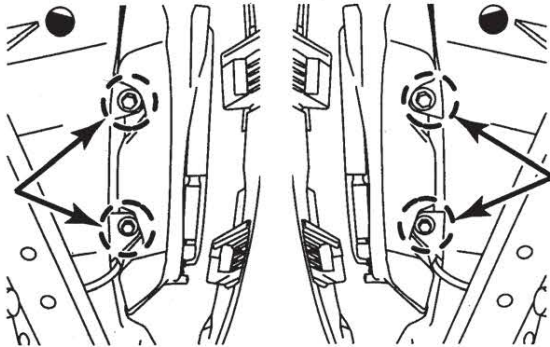
- 6 Extract (2) 7mm bolts from the lower dash. '07-'11 Models have (4) bolts.





## Front Speaker (Woofer) Removal (2007-2018)

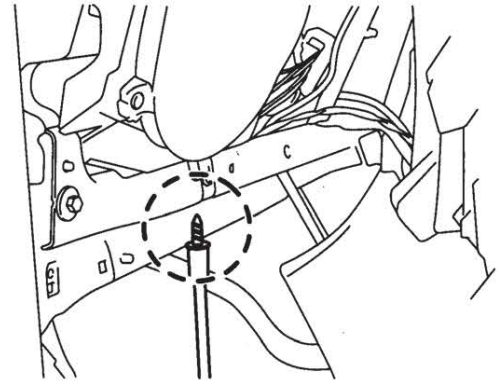
- 7 Extract (2) 7mm bolts from the side of each respective dash enclosure.



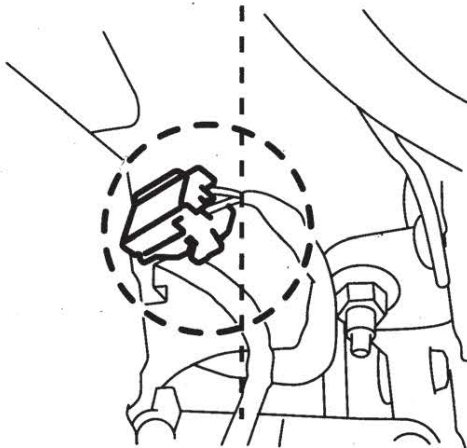
Driver Side

Passenger Side

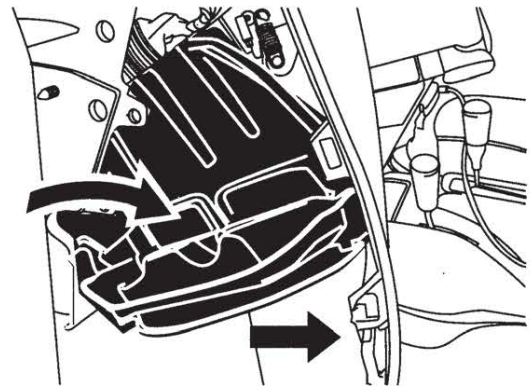
- 8 Remove (1) 10mm bolts from under each enclosure.



- 9 Disconnect the speaker enclosure (connector located on the back).

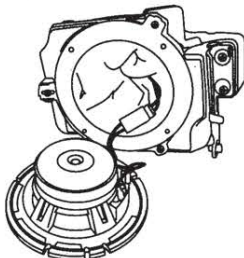


- 10 Carefully pull the dash towards the back of the vehicle and remove the enclosure by turning towards the back.



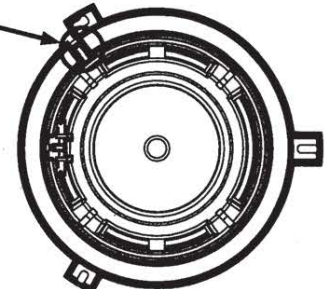
## Front Speaker (Woofer) Installation (2007-2018)

- 1 Remove the speaker by extracting the (3) factory screws. (Save screws for later). Cut a slit in the center of the polyfill, and pull the vehicle plug through. Insert the excess polyfill into the enclosure.  
**Note:** Installation of polyfill is needed for optimum sound.



- 2 Add the foam strip, connect the vehicle plug to the speaker.  
 1. Install using the reverse procedure  
 2. Repeat for the opposite side

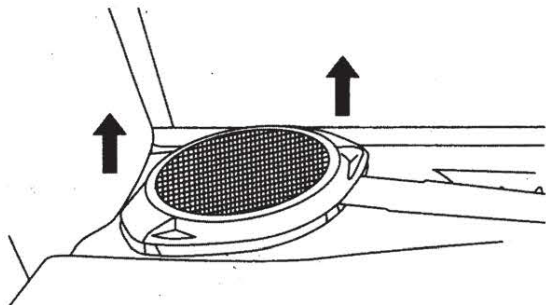
Add foam strip  
(Included)



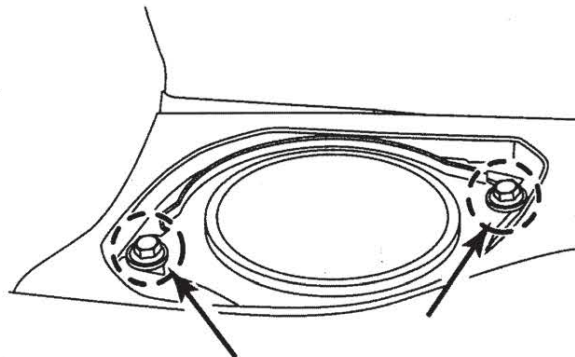
**Note:** Pigtail is only used for Soundbar 2007-2014 pg 9

## Front Tweeter Removal (2015-2018)

- 1 Remove top dash speaker grille using a panel removal tool. Clean surface and apply the Alpine badge.

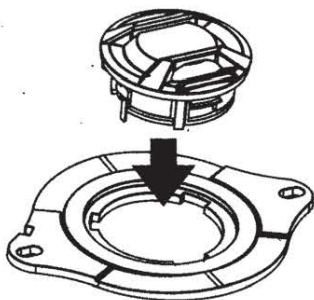


- 2 Extract the (2) 7mm bolts (save for later) and disconnect and remove the factory speaker.



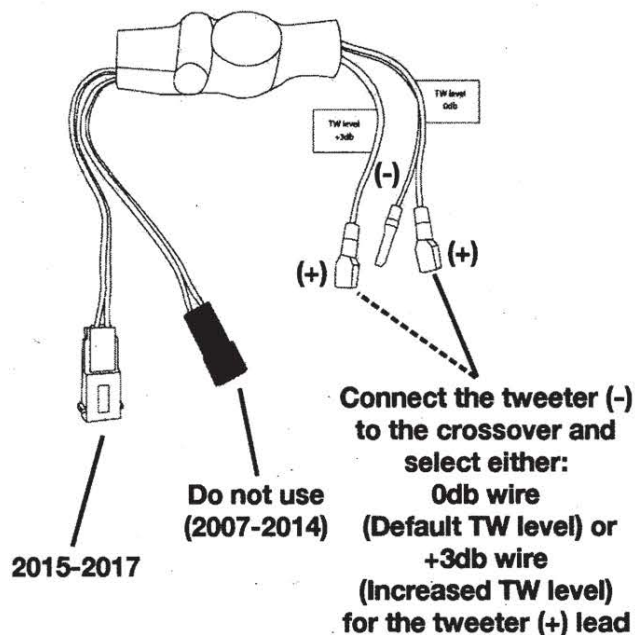
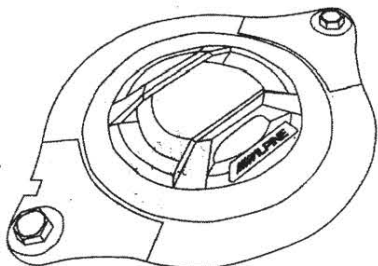
## Front Tweeter Installation (2015-2018)

- 1 Press the tweeter into the 3.5" tweeter adapter.



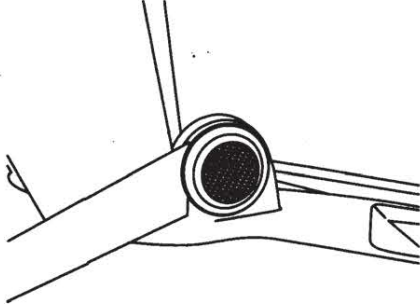
- 2 Select the (2015-2017) crossover input wires and connect to the vehicle plug. Connect tweeter connectors. Secure the crossover.  
Note: 2007-2014 input plug is not used.

- 3 Align tweeter adapter plate notch to the vehicle and reinstall using the (2) 7mm bolts.



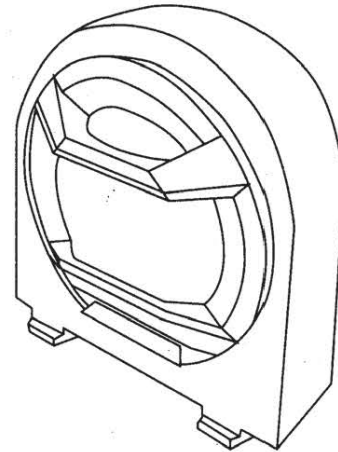
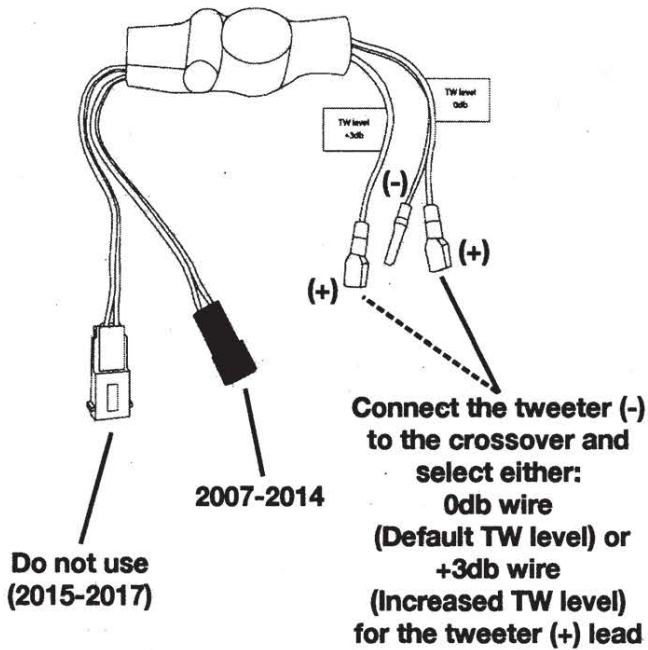
## Front Speaker (Tweeter) Removal (2007-2014)

- 1 Remove top dash speaker grill using a panel removal tool. Disconnect the tweeter.



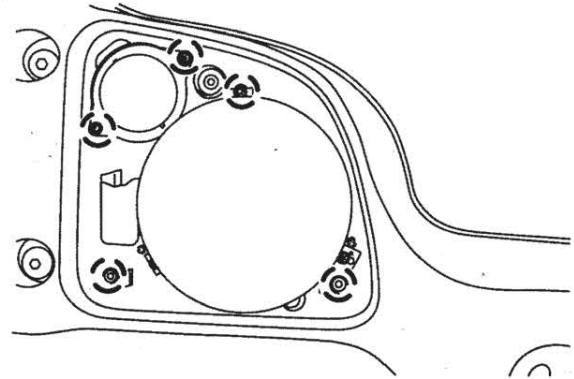
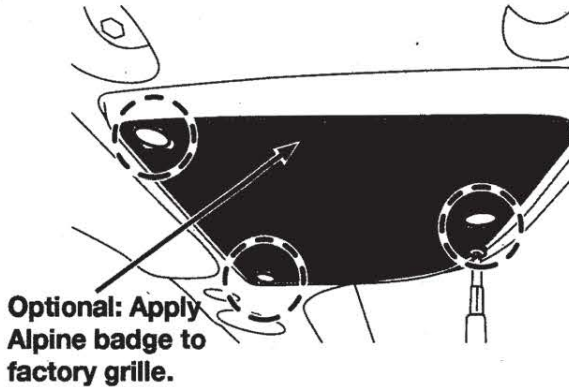
## Front Speaker (Tweeter) Installation (2007-2014)

- 1 Select the (2007-2014) crossover input wires and connect to the vehicle plug. Connect tweeter connectors. Secure the crossover.  
Note: 2015-2017 input plug is not used.
- 2 Guide the tweeter in the opening and press into place.



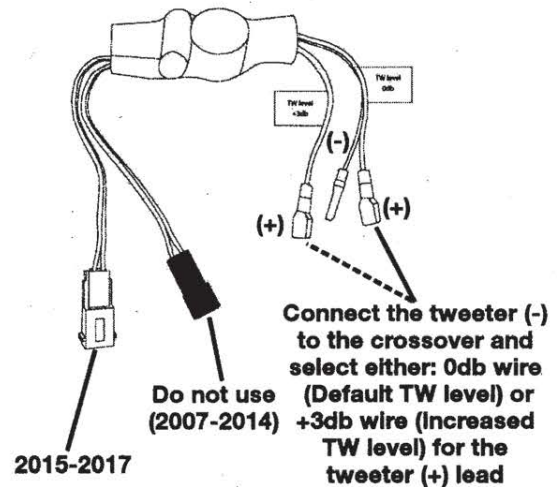
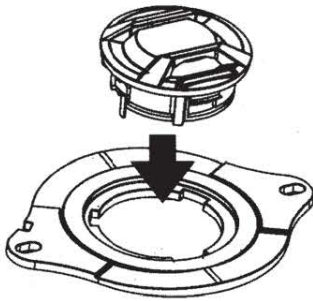
## Rear Soundbar Speaker Removal (2015-2018)

- 1 Extract the (3) T20 Torx screws from the speaker grilles. Clean surface and apply the Alpine badge to factory speaker grille.
- 2 Hold the speakers when extracting the (5) T20 torx screws. Disconnect the speaker and save the screws for later.

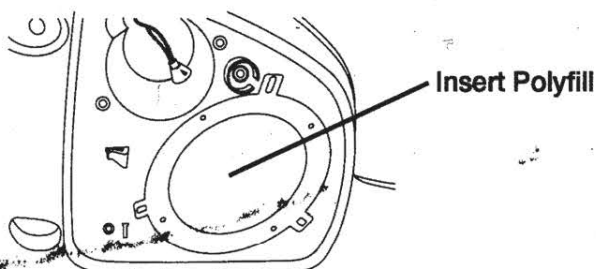


## Rear Soundbar Speaker Installation (2015-2018)

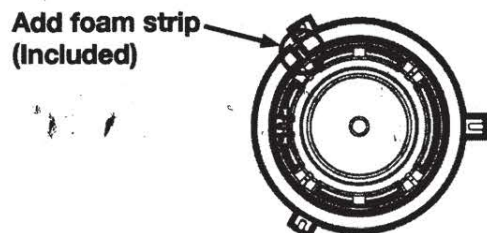
- 1 Press the tweeter into the 3.5" tweeter adapter.
- 2 Select the (2015-2017) crossover input wires and connect to the soundbar vehicle plug. Connect tweeter connectors. Mount the tweeter to the soundbar. Note: 2007-2014 input plug is not used.



- 3 Cut a slit in the center of the polyfill, and pull the vehicle plug through. then insert the excess polyfill into the enclosure. Note: Installation of polyfill is needed for optimum sound.



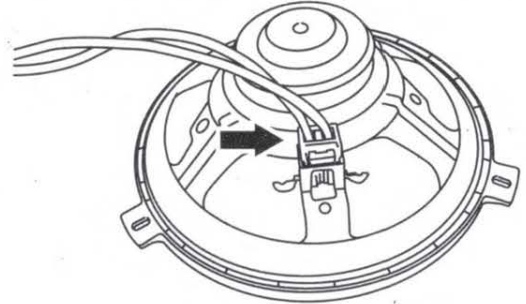
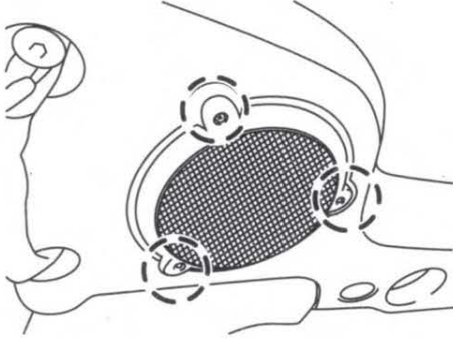
- 4 Add the foam strip, connect the vehicle plug to the speaker, then mount using the (3) factory screws.
  1. Install using reverse procedure.
  2. Repeat for the opposite side.



back of speaker view

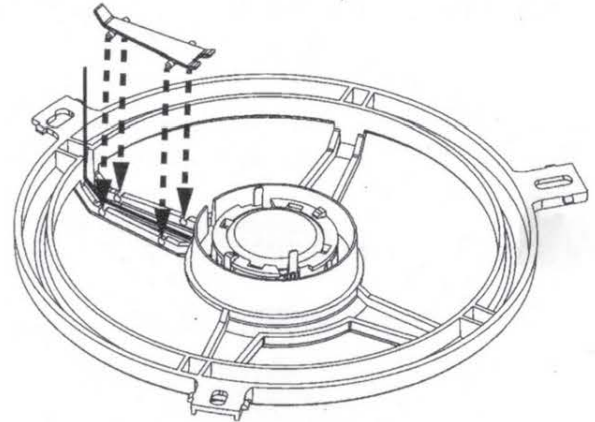
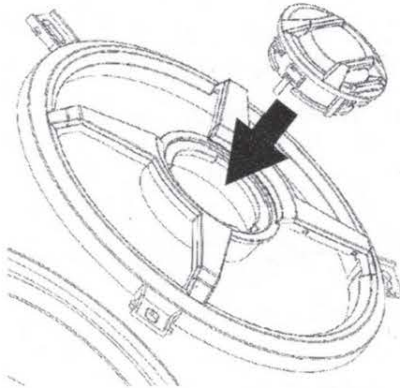
## Rear Soundbar Speaker Removal (2007-2014)

- 1 Hold the speaker and carefully extract the (3) T15 Torx screws.
- 2 Disconnect and remove the factory speaker.

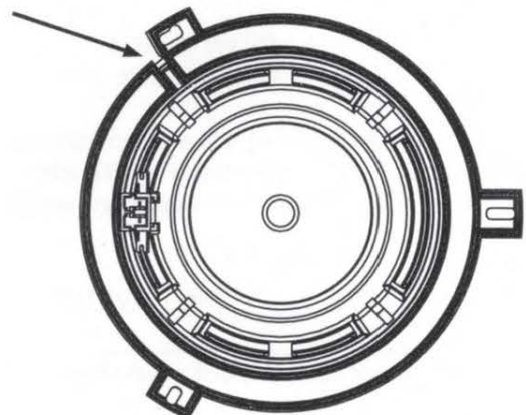


## Rear Soundbar Speaker Installation (2007-2014)

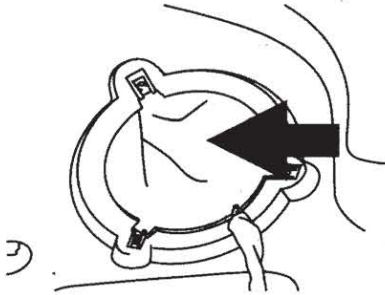
- 1 Press the tweeter into the tweeter bridge grille adapter. Observe the tab orientation.
- 2 Route the tweeter wires through the grille by removing the wire cover. Ensure the wires do not get pinched when reinstalling the wire cover.



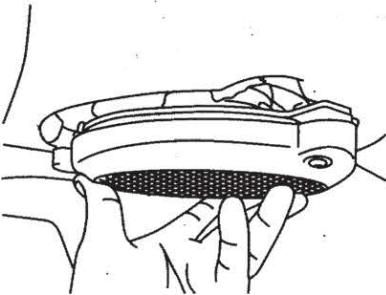
- 3 Route the wire through the notch on the basket, then press the grille into place. Ensure the wires do not get pinched.
- 4 Add foam strip on top of wires in channel.



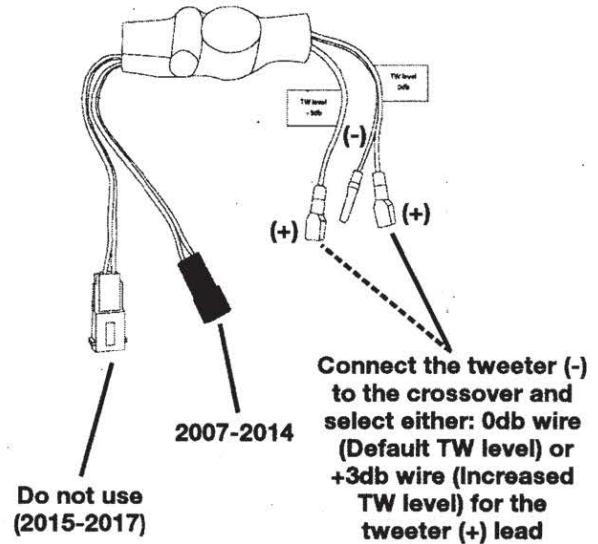
- 5 Cut a slit in the center of the polyfill, and pull the vehicle plug through. then insert the excess polyfill into the soundbar enclosure.  
**Note: Installation of polyfill is needed for optimum sound.**



- 7 Align the factory speaker grille over the tweeter bridge grille adapter tabs, connect the vehicle plug to the speaker and mount to the soundbar using the (3) T15 Torx screws.



- 6 Select the (2007-2014) crossover input wires and connect to the woofer pigtail male plug. Connect tweeter connectors. Secure the crossover.  
**Note: 2015-2017 input plug is not used.**



- 8 Clean the factory grille surface and apply the Alpine Badges.



# READ BEFORE INSTALLATION

Our goal is to improve your in-vehicle experience. To achieve that, we are here for you. For installation assistance, questions about using your new Alpine Restyle System or if you're having problems with your Alpine product, we can help. Please choose one of the methods below for resolution to any issues you may have.

## TECHNICAL SUPPORT

We are here to help with any questions you have about your Alpine Restyle product. For any questions about using your Alpine Restyle System and installation support, get in touch with us:

**800-TECH-101**

**Monday - Friday**

**7 AM - 5 PM PST**

**Online Support Center**

**[supportalpineusa.custhelp.com](http://supportalpineusa.custhelp.com)**

**Owner's Manuals**

**[alpine-usa.com/support](http://alpine-usa.com/support)**

## SHARE YOUR #ALPINERESTYLE

Alpine Restyle is not just a product, it's a lifestyle. Share yours with us today using #AlpineRestyle.



**@AlpineUSA**

**[www.alpine-usa.com](http://www.alpine-usa.com)**



Thank you for choosing Alpine for your car audio equipment needs. Our goal is to produce the best audio/video/navigation products in the world and hope your expectations are met.

Please take a moment to protect your purchase by registering your product now at the following address: [www.alpine-usa.com/registration](http://www.alpine-usa.com/registration). You will be informed of product and software updates (if applicable), special promotions, and news about Alpine.

By registering your product, you will also have a chance to participate in exclusive offers to win Alpine gear.

We look forward to continue serving you in the future.

SPV-65X-WRA



WB0510427

CE



Sincerely,

The Alpine Team

## French

Nous vous remercions d'avoir porté votre choix sur un équipement audio automobile Alpine. Notre principal objectif est de fabriquer les meilleurs produits audio, vidéo et de navigation au monde afin de répondre aux exigences de nos clients.

Veuillez prendre quelques instants pour sécuriser votre achat en enregistrant votre produit à l'adresse suivante: [www.alpine-usa.com/registration](http://www.alpine-usa.com/registration). Vous serez informé(e) des nouveaux produits, mises à jour logicielles (le cas échéant), promotions spéciales et informations concernant Alpine.

En enregistrant votre produit, vous aurez également une chance de participer à des offres exclusives pour gagner du matériel Alpine.

Nous espérons que nos produits vous donneront entière satisfaction.

Cordialement,

L'équipe Alpine

## Spanish

Agradecemos que haya elegido a Alpine como su proveedor de equipo de audio para su vehículo. Nuestro objetivo es fabricar los mejores productos de audio, video y navegación del mundo y esperamos poder cumplir con sus expectativas.

Para proteger su compra le pedimos que se tome unos momentos para registrar su producto en la siguiente dirección: [www.alpine-usa.com/registration](http://www.alpine-usa.com/registration). Recibirá información sobre novedades del producto, actualizaciones de software (si su producto lo requiere), promociones especiales y noticias sobre Alpine.

Al registrar su producto, también tendrá la oportunidad de participar en ofertas exclusivas para ganar equipos de Alpine.

Esperamos poder tener la oportunidad de seguir ofreciéndole otros productos en el futuro.

Atentamente,

El equipo de Alpine





### Notification

Congratulations on your purchase of an Alpine Restyle System! Alpine Restyle products are covered under a 3-year Manufacturer's limited warranty from the date of the first consumer purchase. **PLEASE NOTE THAT THIS PACKAGE INSERT IS NOT THE LIMITED WARRANTY ITSELF.** To read and understand the Limited Warranty, please see the Limited Warranty which is printed in the owner's manual and also may be found at [alpine-usa.com/support](http://alpine-usa.com/support).

We encourage you to register this product on Alpine's website at [www.alpine-usa.com/registration](http://www.alpine-usa.com/registration) at the time it is purchased and installed.

We are here to help with any questions you have about your Alpine Restyle product. For any questions, please contact us at 1-800-832-4101, Monday - Friday, 7 AM - 5 PM PST.

We appreciate your support of Alpine Electronics.



## LIMITED WARRANTY

ALPINE ELECTRONICS OF AMERICA, INC. ("Alpine"), is dedicated to quality craftsmanship and is pleased to offer this Warranty. We suggest that you read it thoroughly. Should you have any questions, please contact your Dealer or contact Alpine at one of the telephone numbers listed below.

### ●PRODUCTS COVERED:

This Warranty covers Car Audio Products and Related Accessories ("the product"). Products purchased in the Canada are covered only in the Canada. Products purchased in the U.S.A. are covered only in the U.S.A.

### ●LENGTH OF WARRANTY:

This Warranty is in effect for three years from the date of the first consumer purchase.

### ●WHO IS COVERED:

This Warranty only covers the original purchaser of the product, who must reside in the United States, Puerto Rico or Canada.

### ●WHAT IS COVERED:

This Warranty covers defects in materials or workmanship (parts and labor) in the product.

### ●WHAT IS NOT COVERED:

This Warranty does not cover the following:

- ① Damage occurring during shipment of the product to Alpine for repair (claims must be presented to the carrier).
- ② Damage caused by accident or abuse, including burned voice coils caused by over-driving the speaker (amplifier level is turned up and driven into distortion or clipping). Speaker mechanical failure (e.g. punctures, tears or rips). Cracked or damaged LCD panels. Dropped or damaged hard drives.
- ③ Damage caused by negligence, misuse, improper operation or failure to follow instructions contained in the Owner's manual.
- ④ Damage caused by act of God, including without limitation, earthquake, fire, flood, storms or other acts of nature. Any cost or expense related to the removal or reinstallation of the product.
- ⑤ Service performed by an unauthorized person, company or association.
- ⑥ Any product which has the serial number defaced, altered or removed.
- ⑦ Any product which has been adjusted, altered or modified without Alpine's consent.
- ⑧ Any product not distributed by Alpine within the United States, Puerto Rico or Canada.
- ⑨ **Any product not purchased from an Authorized Alpine Dealer.**

### ●HOW TO OBTAIN WARRANTY SERVICE:

- ① You are responsible for delivery of the product to an Authorized Alpine Service Center or Alpine for repair and for payment of any initial shipping charges. Alpine will, at its option, repair or replace the product with a new or reconditioned product without charge. If the repairs are covered by the warranty, and if the product was shipped to an Authorized Alpine Service Center or Alpine, Alpine will pay the return shipping charges.
- ② You should provide a detailed description of the problem(s) for which service is required.
- ③ You must supply proof of your purchase of the product.

- ④ You must package the product securely to avoid damage during shipment. To prevent lost packages it is recommended to use a carrier that provides a tracking service.

### ●HOW WE LIMIT IMPLIED WARRANTIES:

ANY IMPLIED WARRANTIES INCLUDING FITNESS FOR USE AND MERCHANTABILITY ARE LIMITED IN DURATION TO THE PERIOD OF THE EXPRESS WARRANTY SET FORTH ABOVE AND NO PERSON IS AUTHORIZED TO ASSUME FOR ALPINE ANY OTHER LIABILITY IN CONNECTION WITH THE SALE OF THE PRODUCT.

### ●HOW WE EXCLUDE CERTAIN DAMAGES:

ALPINE EXPRESSLY DISCLAIMS LIABILITY FOR INCIDENTAL AND CONSEQUENTIAL DAMAGES CAUSED BY THE PRODUCT. THE TERM "INCIDENTAL DAMAGES" REFERS TO EXPENSES OF TRANSPORTING THE PRODUCT TO THE ALPINE SERVICE CENTER, LOSS OF THE ORIGINAL PURCHASER'S TIME, LOSS OF THE USE OF THE PRODUCT, BUS FARES, CAR RENTALS OR OTHERS COSTS RELATING TO THE CARE AND CUSTODY OF THE PRODUCT. THE TERM "CONSEQUENTIAL DAMAGES" REFERS TO THE COST OF REPAIRING OR REPLACING OTHER PROPERTY WHICH IS DAMAGED WHEN THIS PRODUCT DOES NOT WORK PROPERLY. THE REMEDIES PROVIDED UNDER THIS WARRANTY ARE EXCLUSIVE AND IN LIEU OF ALL OTHERS.

### ●HOW STATE/PROVINCIAL LAW RELATES TO THE WARRANTY:

This Warranty gives you specific legal rights, and you may also have other rights which vary from state to state and province to province. In addition, some states/provinces do not allow limitations on how long an implied warranty lasts, and some do not allow the exclusion or limitation of incidental or consequential damages. Accordingly, limitations as to these matters contained herein may not apply to you.

### ●IN CANADA ONLY:

This Warranty is not valid unless your Alpine car audio product has been installed in your vehicle by an Authorized Installation Center, and this warranty stamped upon installation by the installation center.

### ●HOW TO CONTACT CUSTOMER SERVICE:

Should the product require service, please call the following number for your nearest Authorized Alpine Service Center.

|                         |  |
|-------------------------|--|
| <b>CUSTOMER SERVICE</b> | <b>1-800-421-2284, ext. 860307</b>     |
| <b>TECH SUPPORT</b>     | <b>1-800-TECH-101 (1-800-832-4101)</b> |

Or visit our website at; <http://www.alpine-usa.com>

ALPINE ELECTRONICS OF AMERICA, INC., 19145 Gramercy Place, Torrance, California 90501, U.S.A.

**Do not send products to this address.**

Call the toll free telephone number or visit the website to locate a service center.



## LIMITED WARRANTY

ALPINE ELECTRONICS OF AMERICA, INC. ("Alpine"), is dedicated to quality craftsmanship and is pleased to offer this Warranty. We suggest that you read it thoroughly. Should you have any questions, please contact your Dealer or contact Alpine at one of the telephone numbers listed below.

### ●PRODUCTS COVERED:

This Warranty covers Car Audio Products and Related Accessories ("the product"). Products purchased in the Canada are covered only in the Canada. Products purchased in the U.S.A. are covered only in the U.S.A.

### ●LENGTH OF WARRANTY:

This Warranty is in effect for one year from the date of the first consumer purchase on most with the exception of the INA-W900/INA-W900BT, which is two years.

### ●WHO IS COVERED:

This Warranty only covers the original purchaser of the product, who must reside in the United States, Puerto Rico or Canada.

### ●WHAT IS COVERED:

This Warranty covers defects in materials or workmanship (parts and labor) in the product.

### ●WHAT IS NOT COVERED:

This Warranty does not cover the following:

- ① Damage occurring during shipment of the product to Alpine for repair (claims must be presented to the carrier).
- ② Damage caused by accident or abuse, including burned voice coils caused by over-driving the speaker (amplifier level is turned up and driven into distortion or clipping). Speaker mechanical failure (e.g. punctures, tears or rips). Cracked or damaged LCD panels. Dropped or damaged hard drives.
- ③ Damage caused by negligence, misuse, improper operation or failure to follow instructions contained in the Owner's manual.
- ④ Damage caused by act of God, including without limitation, earthquake, fire, flood, storms or other acts of nature. Any cost or expense related to the removal or reinstallation of the product.
- ⑤ Service performed by an unauthorized person, company or association.
- ⑥ Any product which has the serial number defaced, altered or removed.
- ⑦ Any product which has been adjusted, altered or modified without Alpine's consent.
- ⑧ Any product not distributed by Alpine within the United States, Puerto Rico or Canada.
- ⑨ **Any product not purchased from an Authorized Alpine Dealer.**

### ●HOW TO OBTAIN WARRANTY SERVICE:

- ① You are responsible for delivery of the product to an Authorized Alpine Service Center or Alpine for repair and for payment of any initial shipping charges. Alpine will, at its option, repair or replace the product with a new or reconditioned product without charge. If the repairs are covered by the warranty, and if the product was shipped to an Authorized Alpine Service Center or Alpine, Alpine will pay the return shipping charges.
- ② You should provide a detailed description of the problem(s) for which service is required.

- ③ You must supply proof of your purchase of the product.

- ④ You must package the product securely to avoid damage during shipment. To prevent lost packages it is recommended to use a carrier that provides a tracking service.

### ●HOW WE LIMIT IMPLIED WARRANTIES:

ANY IMPLIED WARRANTIES INCLUDING FITNESS FOR USE AND MERCHANTABILITY ARE LIMITED IN DURATION TO THE PERIOD OF THE EXPRESS WARRANTY SET FORTH ABOVE AND NO PERSON IS AUTHORIZED TO ASSUME FOR ALPINE ANY OTHER LIABILITY IN CONNECTION WITH THE SALE OF THE PRODUCT.

### ●HOW WE EXCLUDE CERTAIN DAMAGES:

ALPINE EXPRESSLY DISCLAIMS LIABILITY FOR INCIDENTAL AND CONSEQUENTIAL DAMAGES CAUSED BY THE PRODUCT. THE TERM "INCIDENTAL DAMAGES" REFERS TO EXPENSES OF TRANSPORTING THE PRODUCT TO THE ALPINE SERVICE CENTER, LOSS OF THE ORIGINAL PURCHASER'S TIME, LOSS OF THE USE OF THE PRODUCT, BUS FARES, CAR RENTALS OR OTHERS COSTS RELATING TO THE CARE AND CUSTODY OF THE PRODUCT. THE TERM "CONSEQUENTIAL DAMAGES" REFERS TO THE COST OF REPAIRING OR REPLACING OTHER PROPERTY WHICH IS DAMAGED WHEN THIS PRODUCT DOES NOT WORK PROPERLY. THE REMEDIES PROVIDED UNDER THIS WARRANTY ARE EXCLUSIVE AND IN LIEU OF ALL OTHERS.

### ●HOW STATE/PROVINCIAL LAW RELATES TO THE WARRANTY:

This Warranty gives you specific legal rights, and you may also have other rights which vary from state to state and province to province. In addition, some states/provinces do not allow limitations on how long an implied warranty lasts, and some do not allow the exclusion or limitation of incidental or consequential damages. Accordingly, limitations as to these matters contained herein may not apply to you.

### ●IN CANADA ONLY:

This Warranty is not valid unless your Alpine car audio product has been installed in your vehicle by an Authorized Installation Center, and this warranty stamped upon installation by the installation center.

### ●HOW TO CONTACT CUSTOMER SERVICE:

Should the product require service, please call the following number for your nearest Authorized Alpine Service Center.

|   |
|---|
| <b>CUSTOMER SERVICE</b> 1-800-421-2284, ext. 860304 |
| <b>TECH SUPPORT</b> 1-800-TECH-101 (1-800-832-4101) |

Or visit our website at; <http://www.alpine-usa.com>

ALPINE ELECTRONICS OF AMERICA, INC., 19145 Gramercy Place, Torrance, California 90501, U.S.A.

**Do not send products to this address.**

Call the toll free telephone number or visit the website to locate a service center.