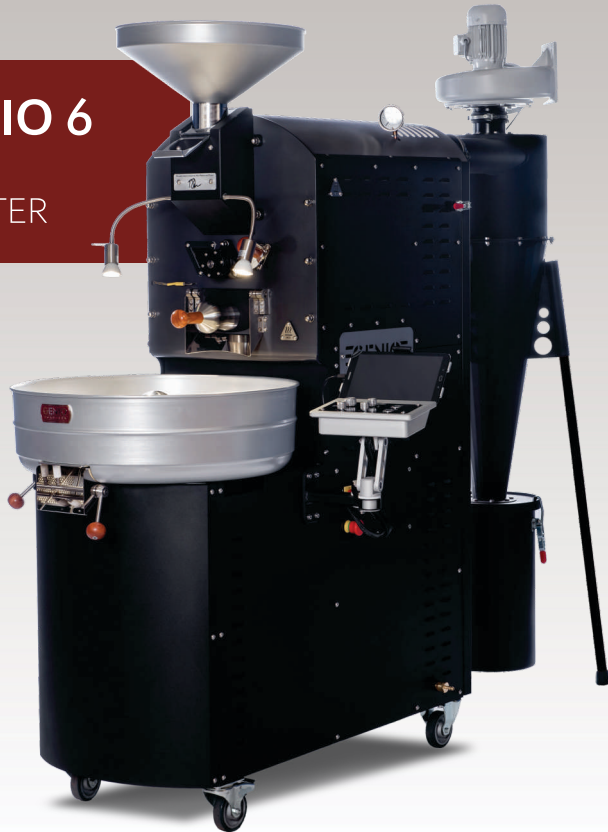


GENIO 6

SHOP
ROASTER



GENIO FOR LIFE

www.genioroasters.com



GENIO 6 SHOP ROASTER

The Genio 6 is ideal for start-up and medium capacity roasteries

The Genio 6 series was developed by Neil Maree and perfected by the Genio Roasters engineering team.

With cutting-edge electronics and superior mechanical systems, the Genio 6 is designed to create specialist temperature and heat transfer profiles. Roasts can easily be duplicated thanks to the machine's excellent stability and easy to use control system.

The Genio 6 is ideal for any type of roastery: from beginners who want to start their businesses to commercial roasters who need to roast specialty batches or test new roasting profiles.

SHOP ROASTER

IDEAL
SHOP
ROASTER



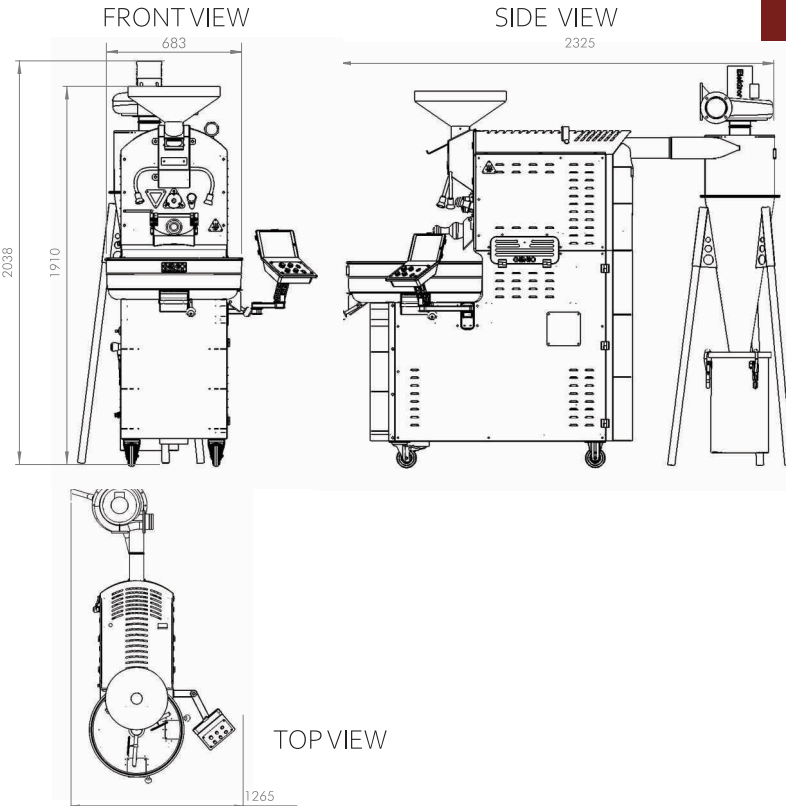


KEY FEATURES

- Roasting time for 6kg batch is between 11 – 15min
- Lightweight aluminium cooling bin and hopper is coated with a food-grade anodised finish
- Cooling to room temperature in 3 minutes
- 4 castor wheels for mobility
- Wireless tablet with full manual and automatic profiling control
- Fully compatible with the Genio ProRoast application
- Dual-wall ceramic coated drum
- Motor with 4 variable speeds
- Precise heat delivery is possible throughout the roast in 1% gas pressure adjustment increments
- Straight radial fan blades drastically reduce the build-up of coffee oils, ensuring less maintenance and prolonged life span
- 2-Year Global Guarantee

GENIO 6 SHOP ROASTER

THE
FEATURES



PLAN & SPECS

Min capacity	200g - 1kg sample roasting
Max capacity	1kg - 6kg profile roasting
Dimensions	1200mm (l) x 460mm (w) x 1785mm (h)
Heating	25kW gas burner (LPG/Natural Gas)
Roasting fan	660 m ³ /hr @ 1100 Pa
Cooling fan	1000 m ³ /hr @ 1600 Pa
Electrical	220V 50Hz Single Phase
Control	Wireless tablet, full profile logging Full manual/automatic profiling
Profile plotting	7 graphs in real-time and reference profiles from database
Drum	Dual-wall ceramic coated
Roasting principle	Convection and conduction
Roast time	11 - 15min
Motor	4 variable speeds

TECHNICAL SPECIFICATIONS



GALLERY



SHOP NOW

PREMIUM HIGH-PERFORMANCE COFFEE ROASTERS



Genio Roasters has designed and manufactured high-performance hand-crafted coffee roasters since 2009 and is currently represented in more than 29 countries globally.

From powerful roaster and accessory designs to our always accessible technical support, we will change the way you think about the future of coffee roasting.

Our coffee roaster machines are ideal for micro roasting, shop and commercial coffee roasting.

Tel: +27 (0)11 794 6112
sales@genioroasters.co.za
www.genioroasters.com
Follow us on:   