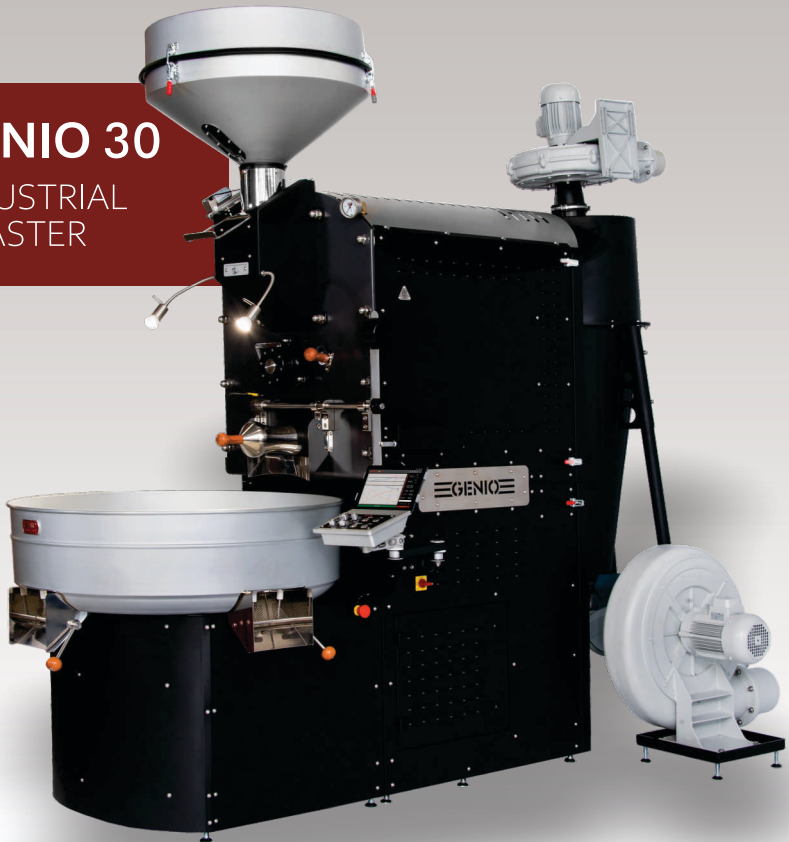


GENIO 30

INDUSTRIAL
ROASTER



GENIO FOR LIFE

www.genioroasters.com



GENIO 30 INDUSTRIAL ROASTER

The Genio 30 series is designed and built for serious roasting operations where speed, consistency & reliability is key.

Consecutive batches can easily be roasted in less time thanks to automated weighing, vacuum loading and unloading, destoning, and silo systems. With ultra-fast thermal response for exact heat profiling and complete control over flame size, dynamic burner positioning, motor speeds, and roastery layout options, the Genio 30 coffee roasters are at the top of their class.

With full green and roasted bean conveying options, tailor-made automation systems, extreme performance and ultra-low maintenance systems, the Genio 30 is the perfect professional tool to take your roasting operation to the next level and keep it there for many years to come.

INDUSTRIAL ROASTER

IDEAL
INDUSTRIAL
ROASTER





KEY FEATURES

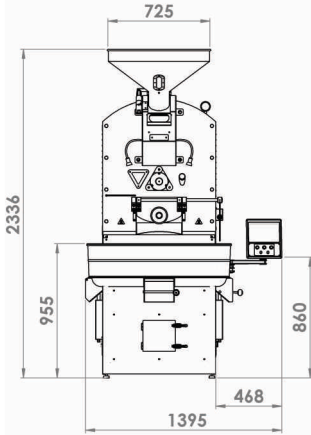
- Roasting time for 30kg batch is between 11 – 15min
- Lightweight aluminium cooling bin and hopper is coated with a food-grade anodised finish
- Cooling to room temperature under 4 minutes
- Wireless tablet with full manual and automatic profiling control
- Fully compatible with the Genio Proroast application
- Dual-wall ceramic coated drum
- Motor with 5 variable speeds
- Precise heat delivery is possible throughout the roast in 1% gas pressure adjustment increments
- Straight radial fan blades drastically reduce the build-up of coffee oils, ensuring less maintenance and prolonged life span
- Receive real-time software updates for free for life. No subscriptions or monthly fees.
- 2-Year Global Guarantee

GENIO30 INDUSTRIAL ROASTER

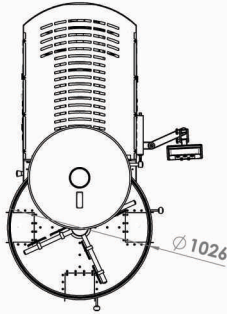
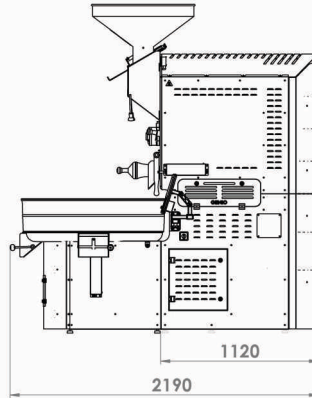
THE
FEATURES



FRONT VIEW



SIDE VIEW



TOP VIEW

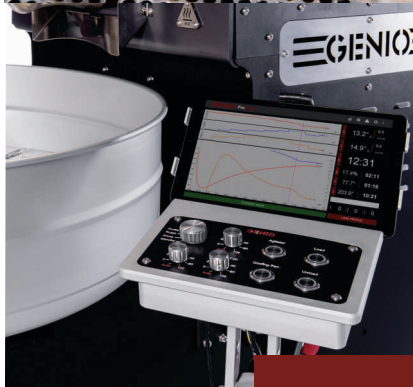
PLAN & SPECS

| | |
|--------------------|--------------------------------------------------------------------------|
| Capacity | 30kg optimal batch size |
| Delivery | 12 - 16 weeks |
| Dimensions | 1200mm (l) x 460mm (w) x 1785mm (h) |
| Heating | 100kW gas burner |
| Roasting fan | 1440 m ³ /hr at 2500 Pa |
| Cooling fan | 3660 m ³ /hr at 4000 Pa |
| Electrical | 380V 50Hz Three Phase |
| Control | Wireless tablet, full profile logging Full manual/automatic profiling |
| Profile plotting | 7 graphs in real-time and reference profiles from database |
| Drum | Dual-wall ceramic coated |
| Roasting principle | Convection and conduction |
| Roast time | 11 - 15min |
| Motor | 5 x Variable Speed |

TECHNICAL SPECIFICATIONS



GALLERY



SHOP NOW



**PREMIUM
HIGH-PERFORMANCE
COFFEE ROASTERS**

Genio Roasters has designed and manufactured high-performance hand-crafted coffee roasters since 2009 and is currently represented in more than 29 countries globally.

From powerful roaster and accessory designs to our always accessible technical support, we will change the way you think about the future of coffee roasting.

Our coffee roaster machines are ideal for micro roasting, shop and commercial coffee roasting.

Tel: +27 (0)11 794 6112
sales@genioroasters.co.za
www.genioroasters.com
Follow us on:   

