

GENIO 15
COMMERCIAL
ROASTER



GENIO FOR LIFE

www.genioroasters.com



GENIO 15 COMMERCIAL ROASTER

The Genio 15 is ideal for roasteries that need larger production capacity to keep up with their expanding businesses.

Capable of roasting 60kg of coffee per hour, this high-performance machine will produce batch upon batch of perfectly consistent profiles thanks to its various levels of control and excellent stability.

The operator can switch from full manual through various levels of automation, all the way up to full automation at any point during the roast.

Roast in full profile for the drying phase and only switch back to manual mode after first crack, the choice is yours with the Genio 15 Commercial Roaster.



COMMERCIAL ROASTER

IDEAL
COMMERCIAL
ROASTER



KEY FEATURES

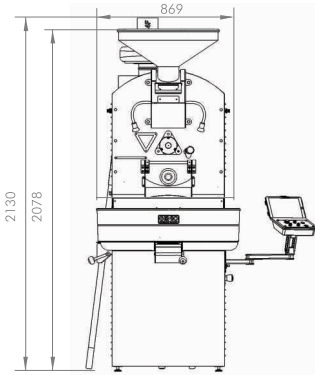
- Roasting time for 15kg batch is between 11 – 15min
- Lightweight aluminium cooling bin and hopper is coated with a food-grade anodised finish
- Cool to room temperature under 4 minutes
- Wireless tablet with full manual in automatic profiling
- Fully control with the Genio ProRoast application control
- Dual-wall ceramic coated drum
- Motor with 4 variable speeds drum
- Precise heat delivery is possible throughout the roast in 1% gas pressure adjustment increments
- Straight radial fan blades drastically reduce the build-up of coffee oils, ensuring less maintenance and prolonged life span
- Receive real-time software updates for free for life - no subscriptions or monthly fees
- 2-Year Global Guarantee

GENIO 15 COMMERCIAL ROASTER

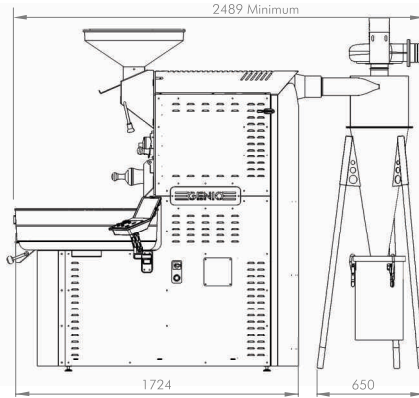
THE
FEATURES



FRONT VIEW



SIDE VIEW



PLAN & SPECS

Min capacity	6kg - sample roasting
Max capacity	15kg - profile roasting
Dimensions	1200mm (l) x 460mm (w) x 1785mm (h)
Heating	50kW gas burner (LPG/Natural Gas)
Roasting fan	Roasting Fan: 660 m ³ /hr @ 1100 Pa
Cooling fan	Cooling Fan: 1290 m ³ /hr @ 2700 Pa
Electrical	220V 50Hz Single Phase
Control	– Wireless Tablet – Full Profile Logging – Full manual/automatic profiling
Profile plotting	7 graphs in real-time and reference profiles from database
Drum	Dual-wall ceramic coated
Roasting principle	Convection and conduction
Roast time	11 - 15min
Motor	4 variable speeds

**TECHNICAL
SPECIFICATIONS**



GALLERY



SHOP NOW



PREMIUM HIGH-PERFORMANCE COFFEE ROASTERS

Genio Roasters has designed and manufactured high-performance hand-crafted coffee roasters since 2009 and is currently represented in more than 29 countries globally.

From powerful roaster and accessory designs to our always accessible technical support, we will change the way you think about the future of coffee roasting.

Our coffee roaster machines are ideal for micro roasting, shop and commercial coffee roasting.

Tel: +27 (0)11 794 6112
sales@genioroasters.co.za
www.genioroasters.com
Follow us on:   

