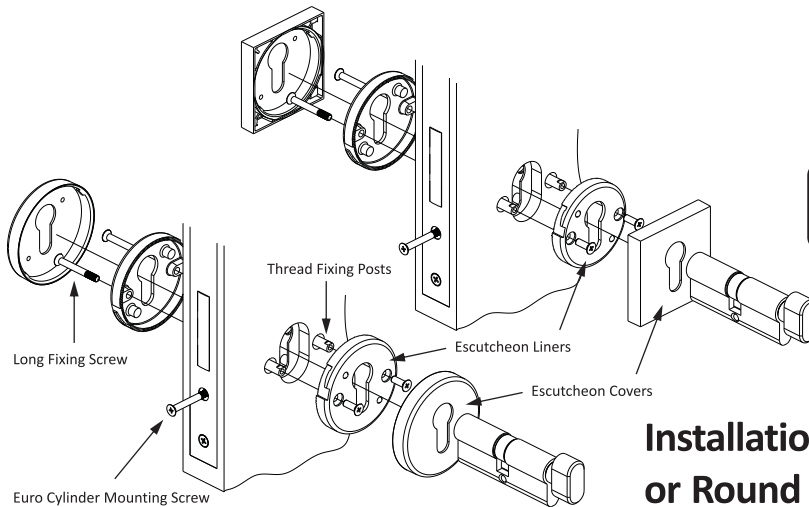


N2LOK

Hardware Trading Pty Ltd

ABODE
SERIES



Installation Instructions for Square or Round Euro Cylinder Escutcheon

Installation Instructions

Fitting to an existing Euro Cylinder Mortise Lock for new installations refer to Mortise Lock installation sheet.

1. Place the Euro Escutcheon Liner over the Euro Cylinder mark the 2 centers for the Fixing Holes horizontally each side of the Euro cylinder . Repeat this step on the other side of the door.
 2. Remove the Euro Cylinder then remove the Mortise Lock then at the marks made in step 1 drill the Fixing Post & Screw Holes using a 6.5mm (1/4") drill bit drilling from both sides to avert splintering then refit the Mortise lock into the door.
 3. Take the 2 Short Fixing Screws & fit through the Escutcheon Liner & tighten them firmly into the Threaded Fixing Posts.
 4. Slide this Escutcheon Liner with the Threaded Fixing Posts into the 2 x 6.5mm (1/4") Fixing Holes.
 5. From the opposite side of the door place the other Escutcheon Liner on the door surface ensuring that it is in line with the 2 x 6.5mm (1/4") Fixing Holes drilled in step 2.
 6. Insert the 2 Long Fixing Screws through this Escutcheon Liner & tighten firmly into the Threaded Fixing Posts previously fitted to the opposite Escutcheon Liner.
 7. Place the Euro Escutcheon Covers over the Escutcheon Liners lining up the slots then twist & snap fit them to each Escutcheon Liner until flush to the door surface.
 8. Slide the Euro Cylinder through the opening in the Escutcheon Rose cover then on into the Mortise case until it is central then insert & tighten the Euro Cylinder Mounting Screw.
- Your installation or conversion is now complete.

N2LOK

This product is warranted to be free from mechanical & workmanship defects for 7 years and free from finish & surface defects for 5 years from the original date of purchase. Should a mechanical or finish defect occur within this warranty period just return the product along with proof of purchase to point of purchase for replacement. Premature finish deterioration due to the use of solvents, acid cleaners, paints, climatic conditions i.e. salt air or surface abrasion by keys or jewellery is not considered a defect & thus not covered by this warranty. The same applies for mechanical failure due to the incorrect installation, misuse or abuse will not be covered by this warranty. The removal & refitting of the product & any associated handling & transportation costs is not covered by this warranty. N2LOK reserves the right to modify product styles & finishes without notification. If the same product model is no longer available a similar product model will be supplied. Any accessories, spare parts & trim purchased separately to complete & compliment the lockset or hardware are not covered by this warranty.

